

US00D765745S

(12) **United States Design Patent** (10) **Patent No.:** **US D765,745 S**
Cheung (45) **Date of Patent:** **** Sep. 6, 2016**

(54) **3D PRINTER**
(71) Applicant: **Well Smart Electronics Limited,**
Kowloon (HK)
(72) Inventor: **Lai Man Cheung,** Kowloon (HK)
(73) Assignee: **Well Smart Electronics Limited,** Hong
Kong (HK)

D729,309 S * 5/2015 Jun D18/50
D732,586 S * 6/2015 Chen D15/122
D732,587 S * 6/2015 Hsu D15/122
D732,588 S * 6/2015 Lin D15/122
D734,814 S * 7/2015 Yeh D18/50
D736,838 S * 8/2015 Costabeber D15/122
D738,410 S * 9/2015 Liu D15/122
D739,885 S * 9/2015 Lee D15/122
D740,863 S * 10/2015 Kemperle D15/122
D745,069 S * 12/2015 Kemperle D15/122

(Continued)

(**) Term: **15 Years**

FOREIGN PATENT DOCUMENTS

(21) Appl. No.: **29/534,018**

CN 302725856 S 1/2014
CN 302753088 S 3/2014

(22) Filed: **Jul. 24, 2015**

(Continued)

(30) **Foreign Application Priority Data**

Jun. 1, 2015 (HK) 1501145.5

(51) **LOC (10) Cl.** **15-09**

(52) **U.S. Cl.**
USPC **D15/122; D15/135**

(58) **Field of Classification Search**
USPC D15/122, 135; D18/6-7, 14, 19, 50, 54,
D18/54.1, 55, 59

See application file for complete search history.

Primary Examiner — Patricia Palasik

(74) *Attorney, Agent, or Firm* — Gloria Tsui-Yip, Esq.;
Miskin & Tsui-Yip LLP

(56) **References Cited**

U.S. PATENT DOCUMENTS

D319,519 S * 8/1991 Keir D34/1
D514,556 S * 2/2006 Rising D14/300
D546,016 S * 7/2007 Boll D34/9
7,297,304 B2 * 11/2007 Swanson B29C 41/36
264/308
D580,613 S * 11/2008 Yang D34/7
D631,221 S * 1/2011 Yang D34/9
D657,108 S * 4/2012 Yang D34/7
D675,802 S * 2/2013 Yang D34/7
D681,302 S * 4/2013 Moore D34/11
D684,332 S * 6/2013 Gollob D34/1
D711,463 S * 8/2014 Costabeber D14/300
D722,108 S * 2/2015 Reches D18/50

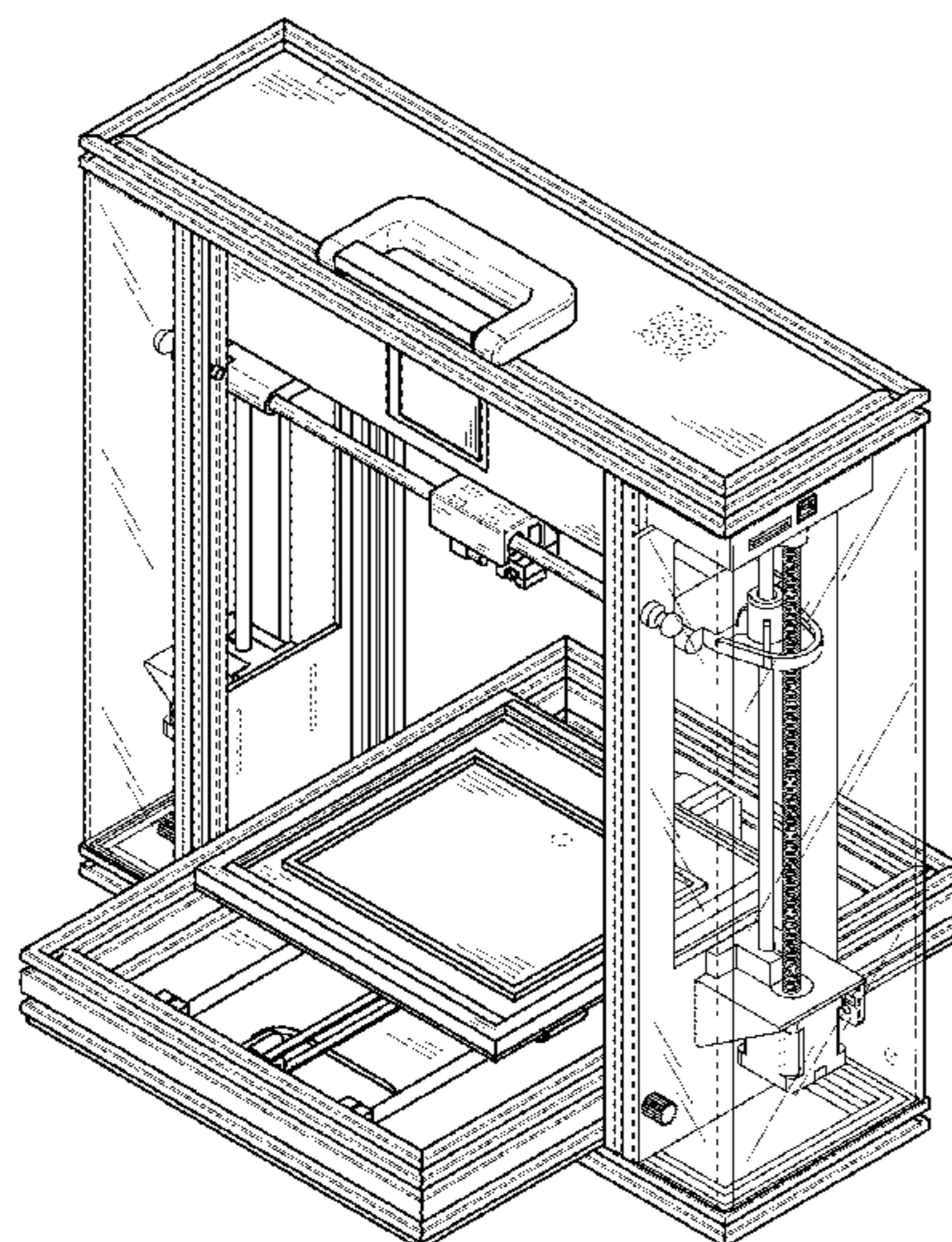
(57) **CLAIM**

The ornamental design for a 3D printer, as shown and described.

DESCRIPTION

FIG. 1 is a front elevational view of my new design;
FIG. 2 is a rear elevational view thereof;
FIG. 3 is a left side view thereof;
FIG. 4 is a right side view thereof;
FIG. 5 is a top plan view thereof;
FIG. 6 is a bottom plan view thereof;
FIG. 7 is a perspective view thereof;
FIG. 8 is another perspective view thereof;
FIG. 9 is a perspective view thereof with the 3D printer in
a closed position; and,
FIG. 10 is another perspective view thereof.
The broken line showing of various openings and elements
in FIGS. 1, 2, 5, 6, 7, 9, and 10 illustrate environmental
matters which form no part of the claimed design.

1 Claim, 10 Drawing Sheets



US D765,745 S

Page 2

(56)

References Cited

U.S. PATENT DOCUMENTS

D749,155 S * 2/2016 Kemperle D15/122
D752,661 S * 3/2016 Anantha D15/122
2014/0043630 A1* 2/2014 Buser H04N 13/02
358/1.13

FOREIGN PATENT DOCUMENTS

CN 302772648 S 3/2014

CN	302873676 S	7/2014
CN	302917071 S	8/2014
CN	303033187 S	12/2014
CN	303127522 S	3/2015
CN	303144033 S	3/2015
CN	303169574 S	4/2015
CN	303181656 S	4/2015
HK	0001051.8	6/1997
HK	1400968.8	5/2014

* cited by examiner

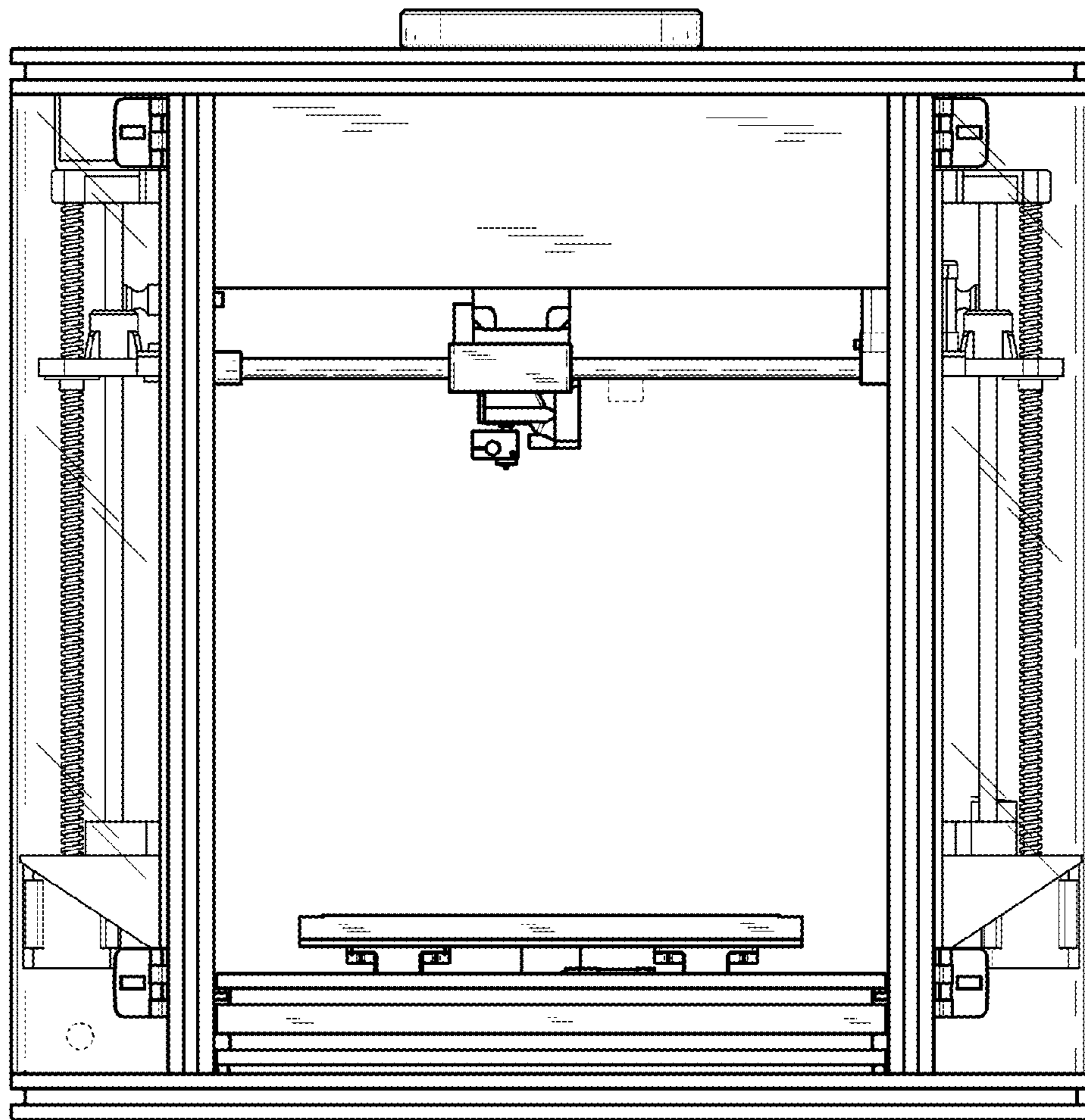


Fig.1

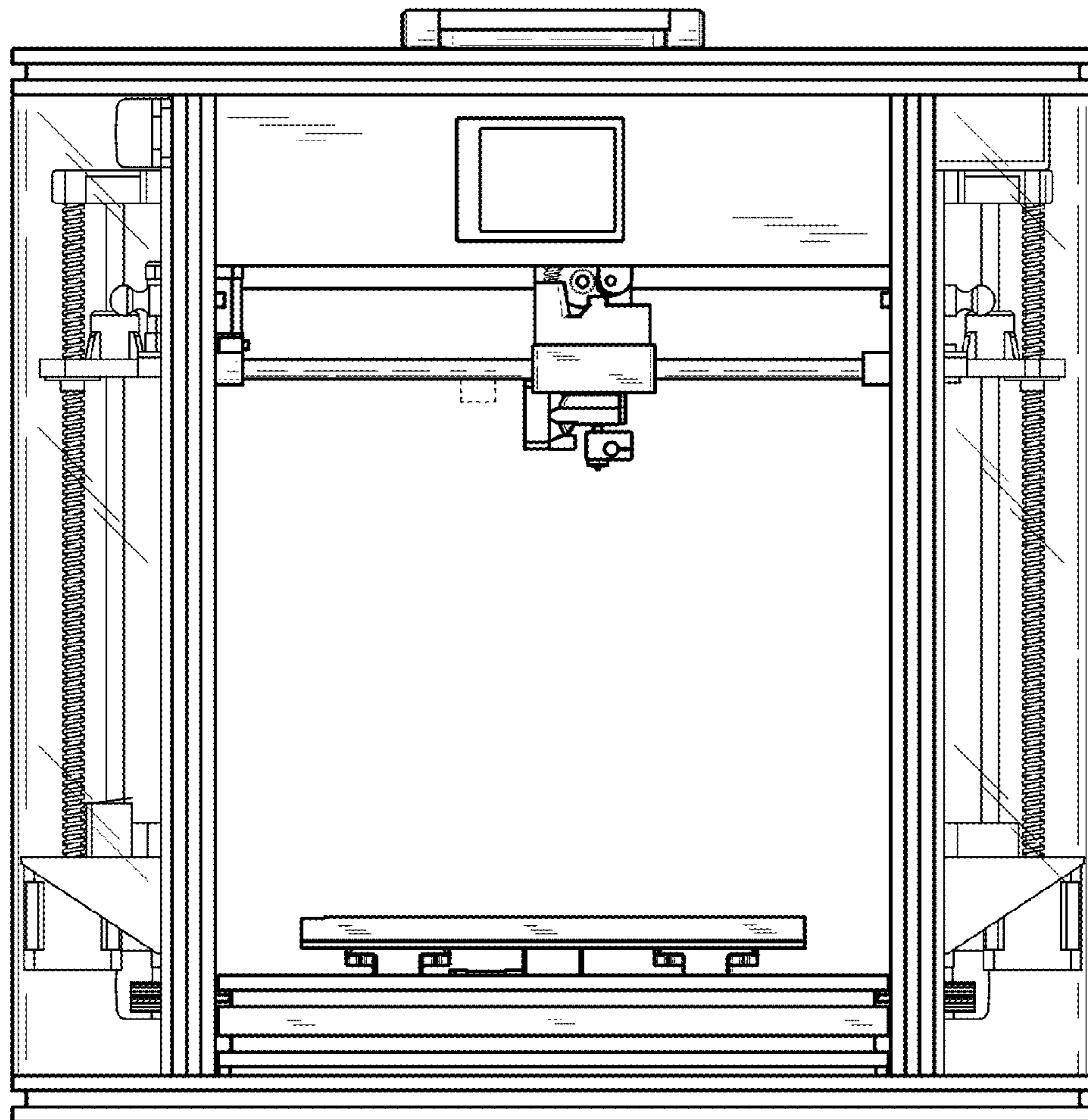


Fig.2

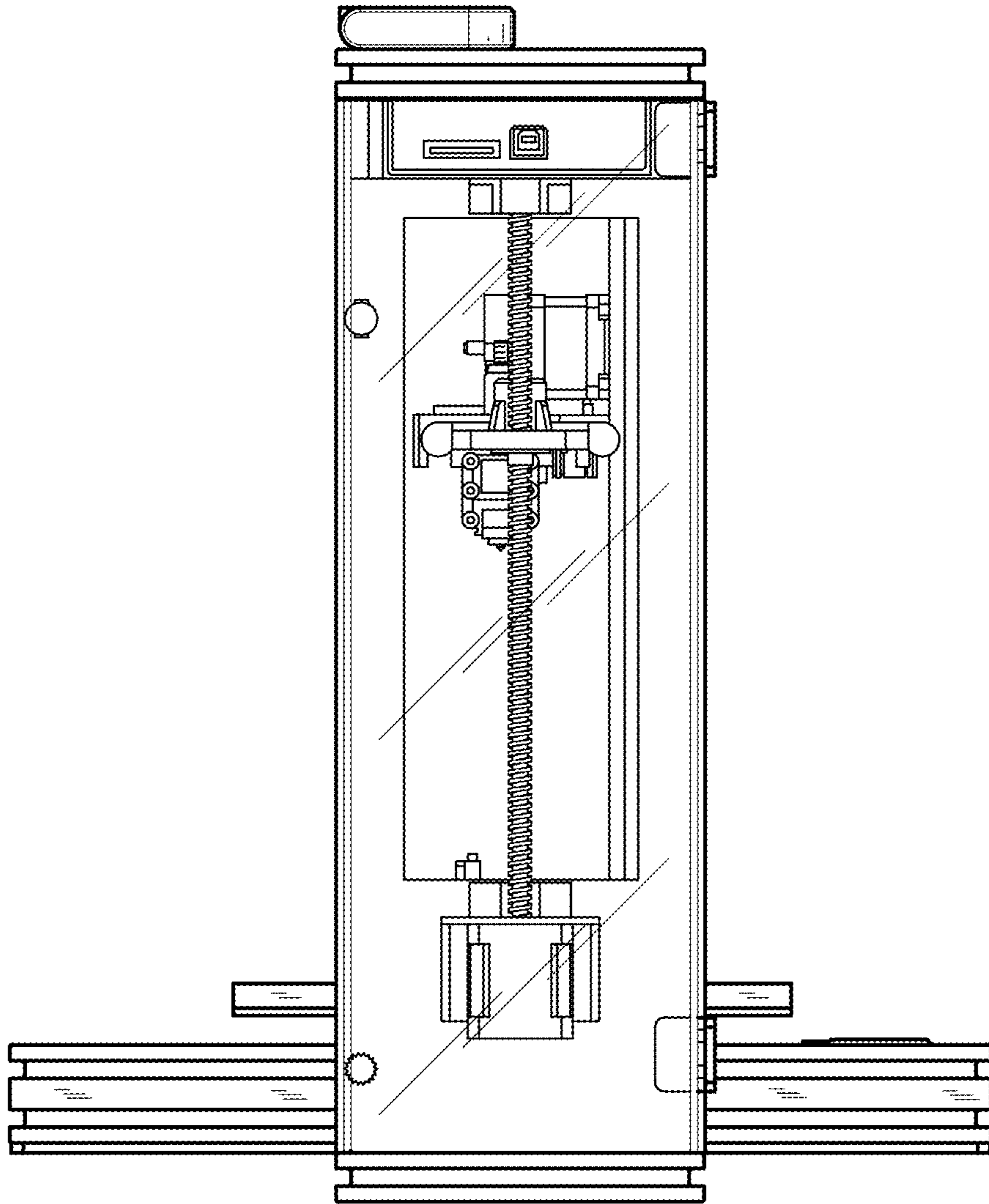


Fig.3

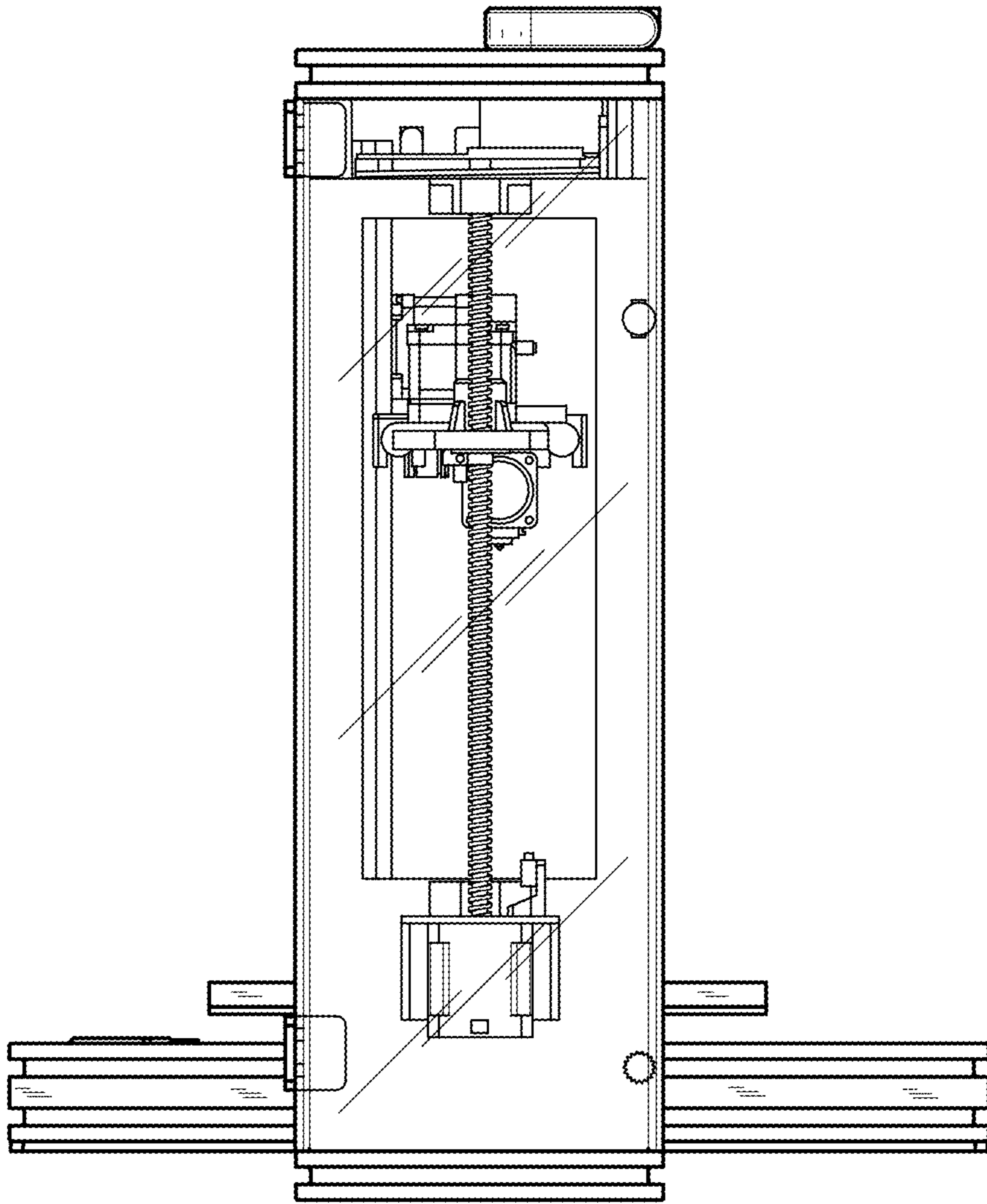


Fig.4

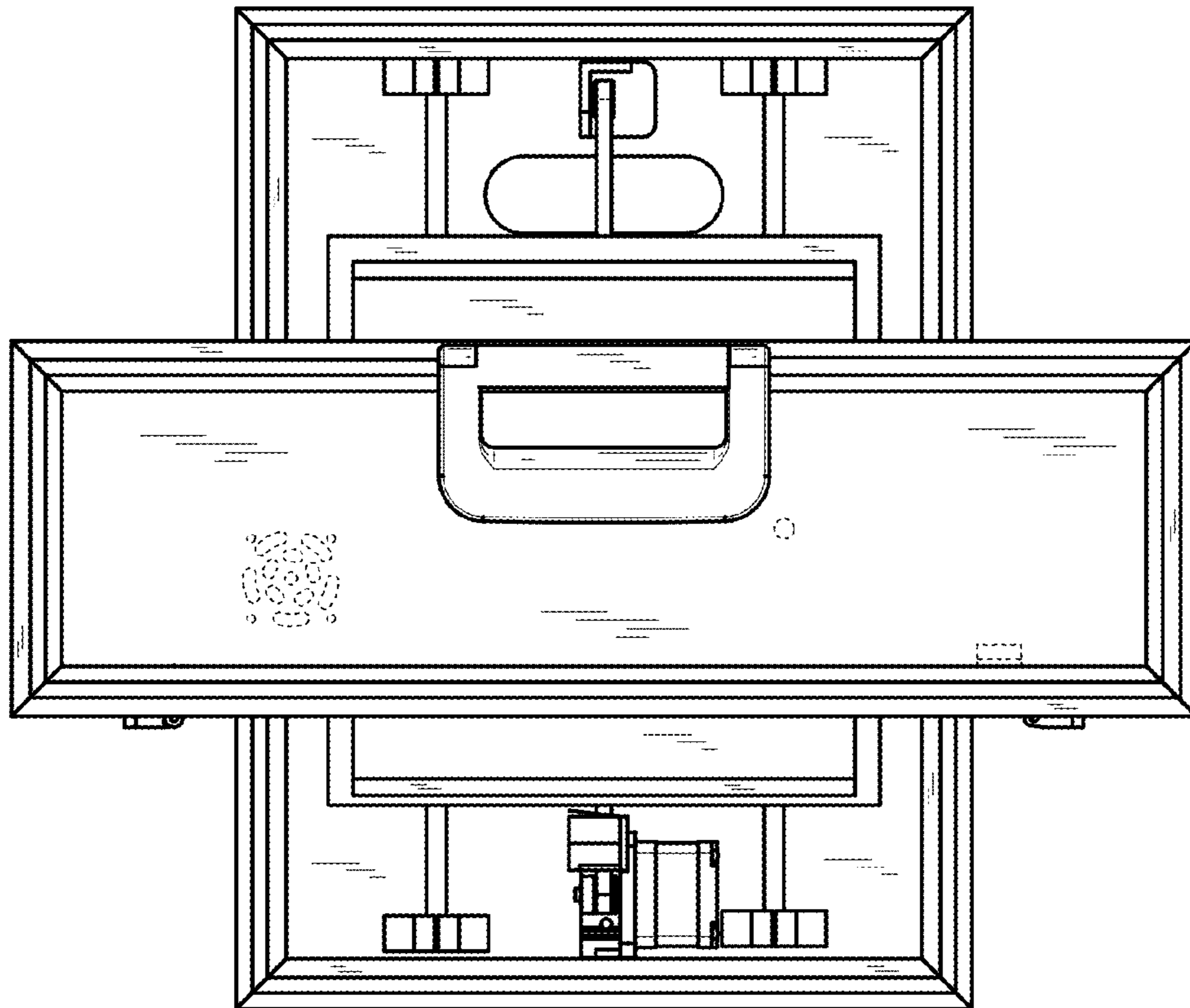


Fig.5

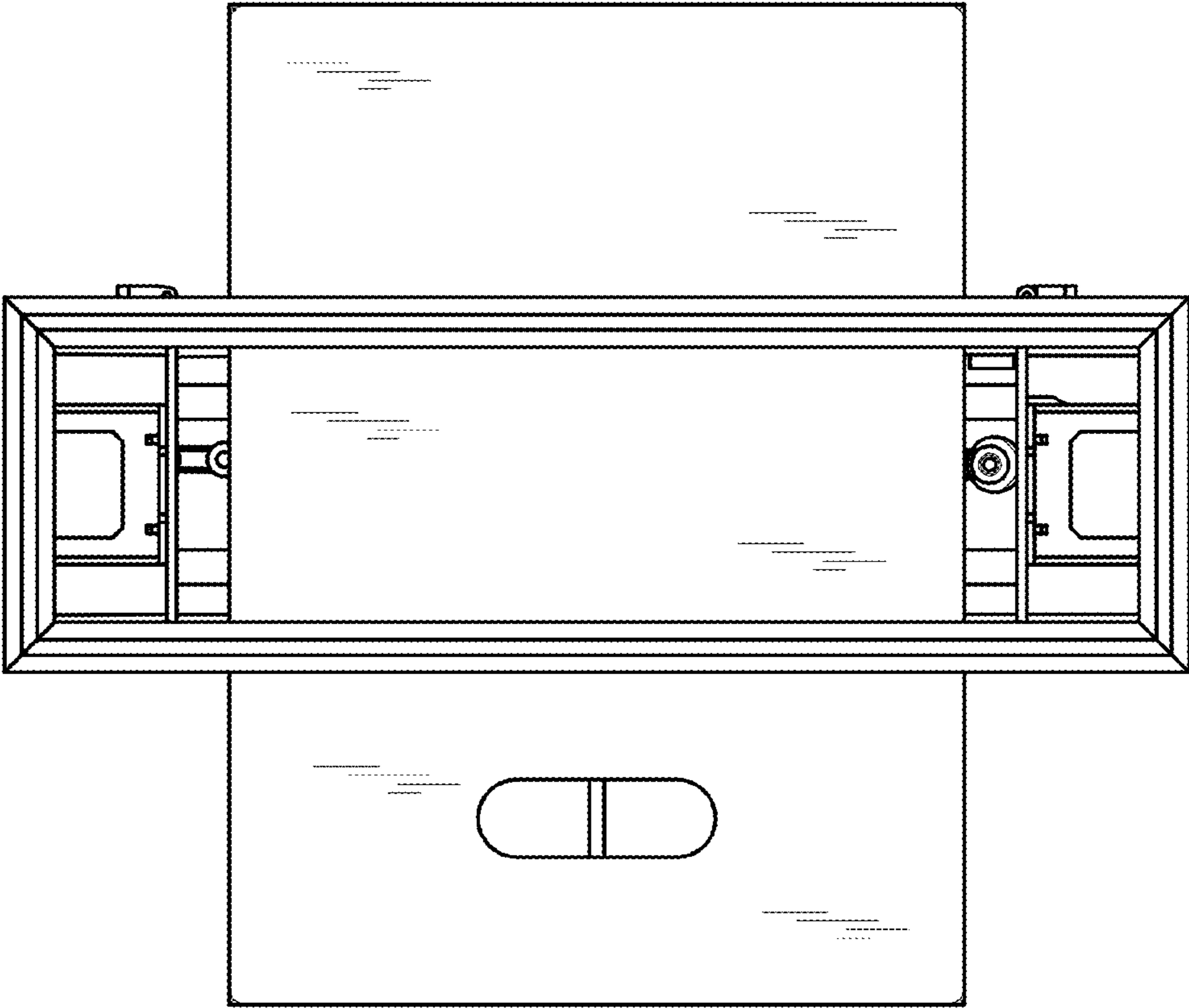


Fig.6

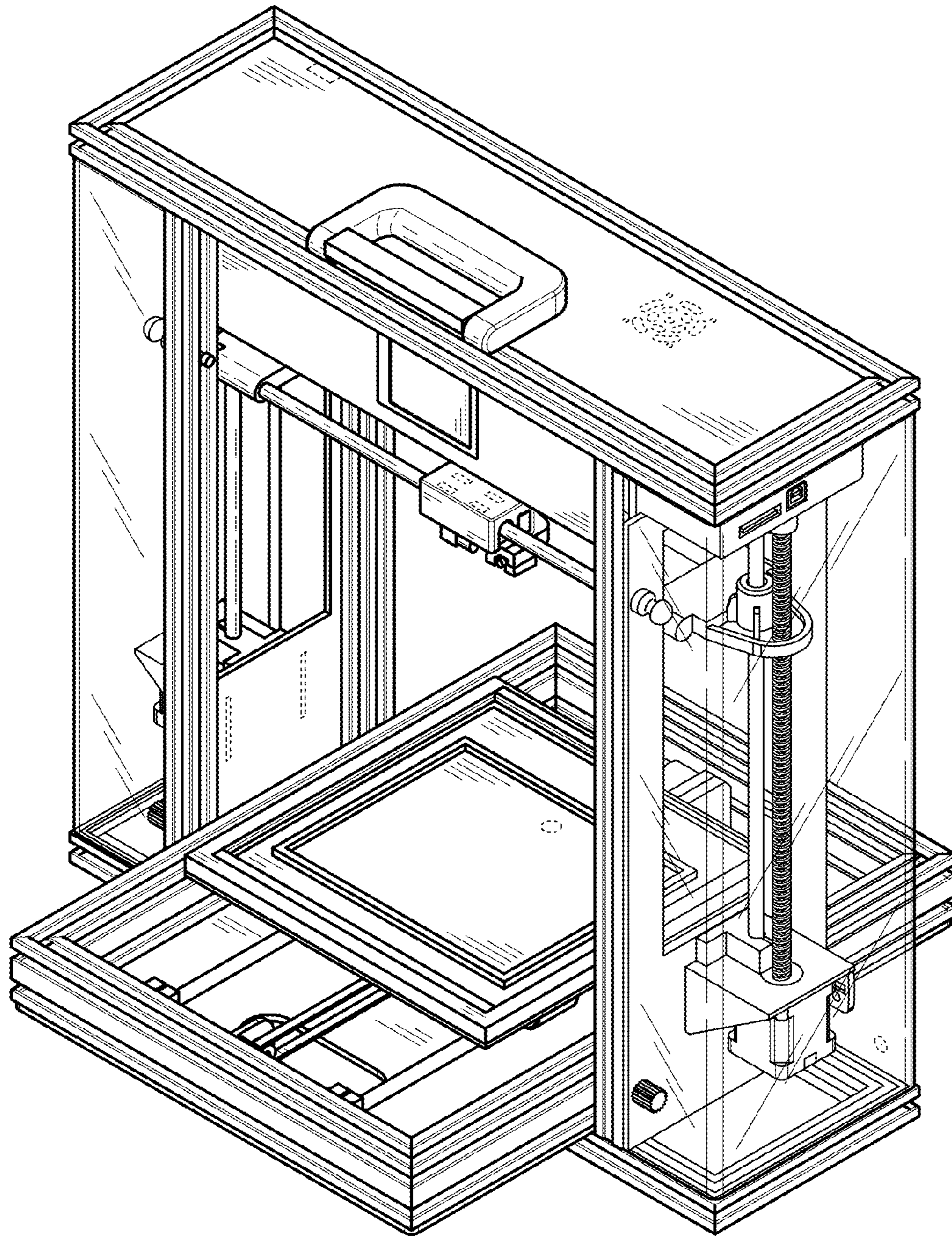


Fig.7

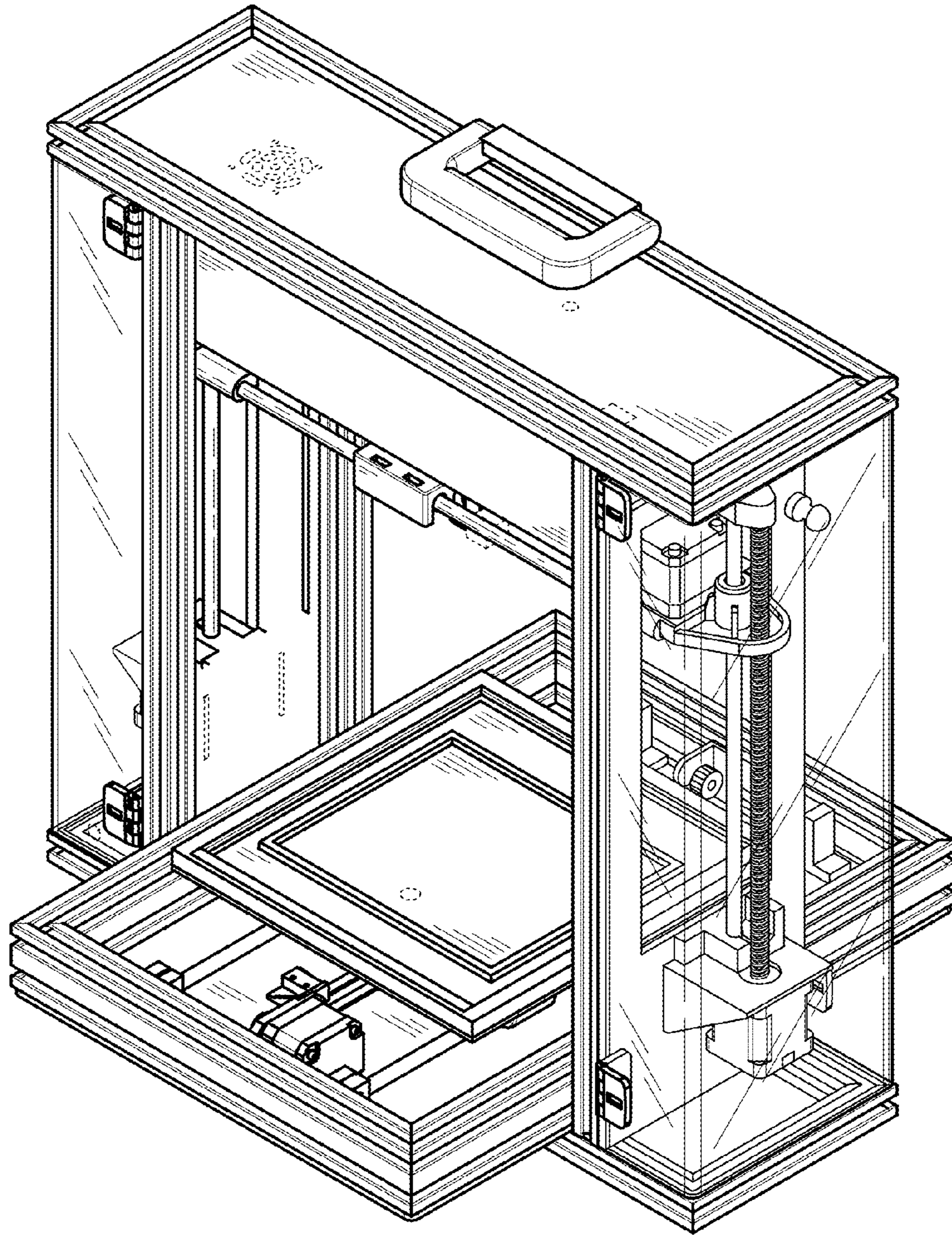


Fig.8

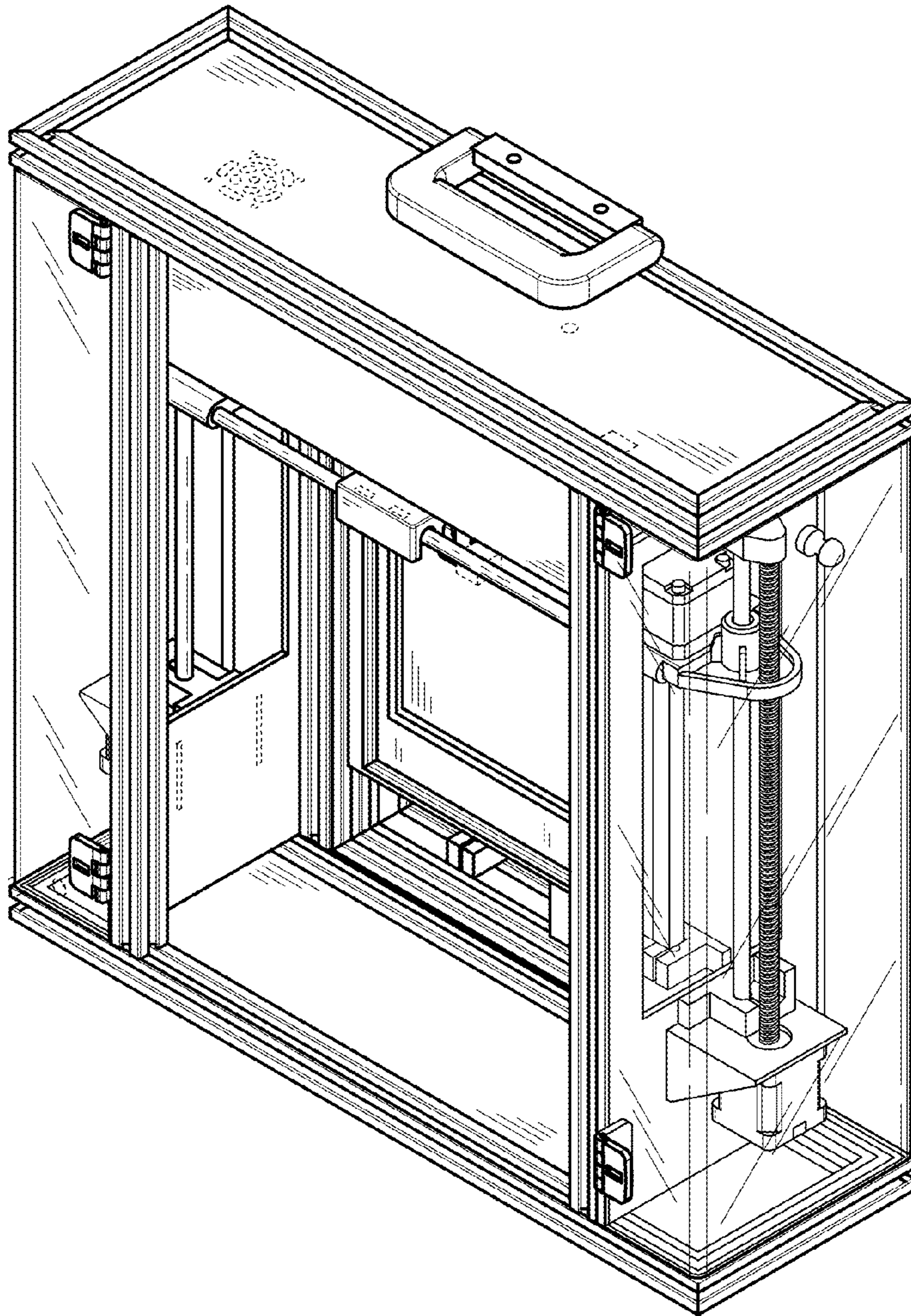


Fig.9

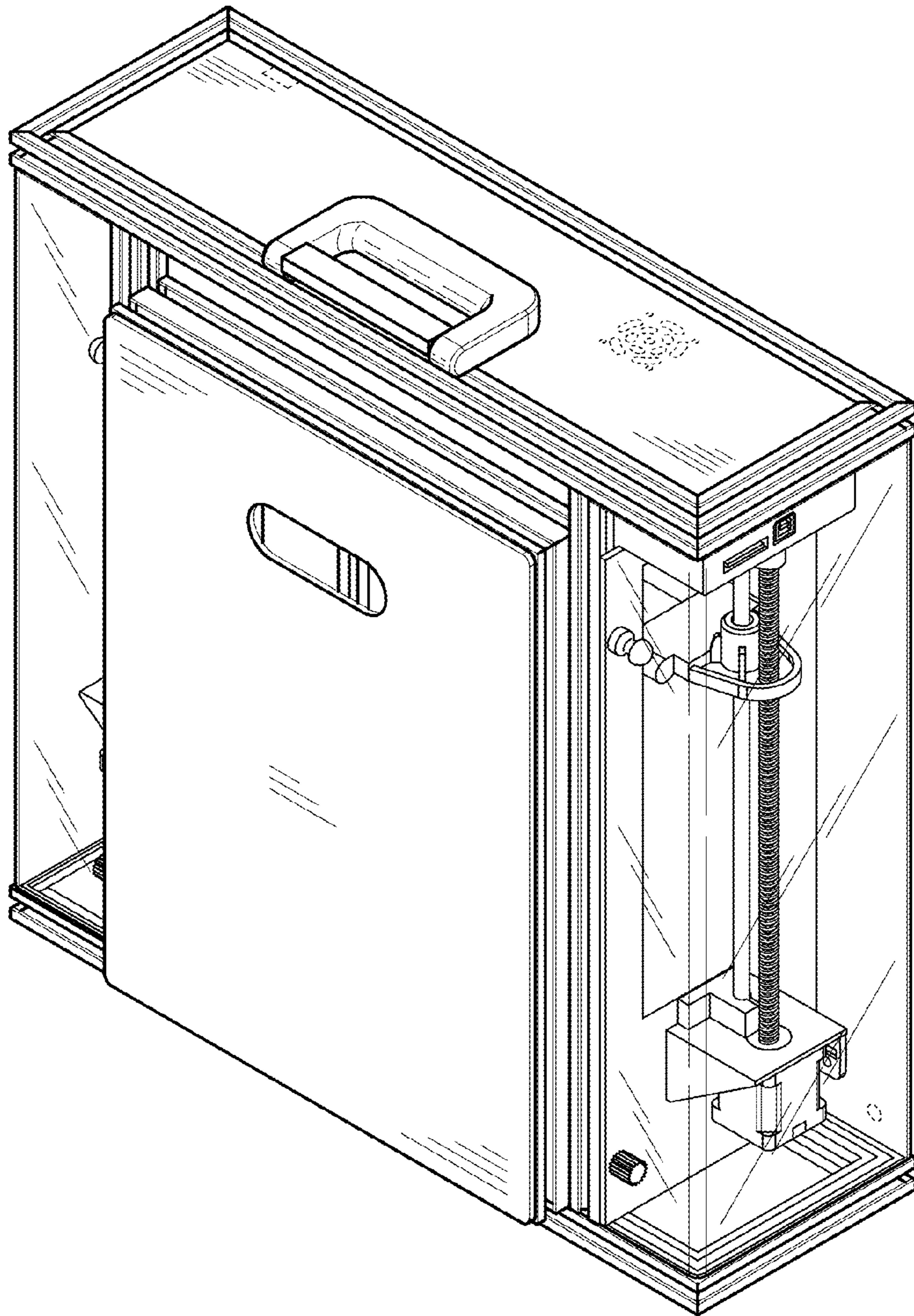


Fig.10