



US00D765744S

(12) **United States Design Patent**
Park et al.

(10) **Patent No.:** **US D765,744 S**
(45) **Date of Patent:** **** Sep. 6, 2016**

(54) **DISPENSER FOR WINE REFRIGERATOR**

(56) **References Cited**

(71) Applicant: **Samsung Electronics Co., Ltd.**,
Suwon-si, Gyeonggi-do (KR)

(72) Inventors: **Seo-Jin Park**, Yongin-si (KR);
Young-Min Park, Seoul (KR);
Jong-Hyub Lee, Seoul (KR)

(73) Assignee: **SAMSUNG ELECTRONICS CO., LTD.** (KR)

(**) Term: **15 Years**

(21) Appl. No.: **29/531,266**

(22) Filed: **Jun. 24, 2015**

(30) **Foreign Application Priority Data**

Dec. 24, 2014 (KR) 30-2014-0063060

(51) **LOC (10) Cl.** **15-07**

(52) **U.S. Cl.**
USPC **D15/89**

(58) **Field of Classification Search**
USPC D15/79-91
CPC F25D 23/028; F25D 23/02; F25D 25/025;
F25D 23/00; F25D 2323/021; F25D 11/00;
F25D 2323/024; F25D 23/04; F25D 29/00;
F25D 25/02; F25D 25/024; F25D 27/005;
F25D 23/12; F25D 29/005; F25D 17/042;
F25D 2325/021; F25D 2323/02

See application file for complete search history.

U.S. PATENT DOCUMENTS

D714,842 S	*	10/2014	Jeon	D15/89
D714,844 S	*	10/2014	Jeon	D15/89
D714,845 S	*	10/2014	Jeon	D15/89
D727,378 S	*	4/2015	Jeon	D15/89
D735,252 S	*	7/2015	Lee	D15/89

* cited by examiner

Primary Examiner — Daniel Bui

Assistant Examiner — Khawaja Anwar

(74) *Attorney, Agent, or Firm* — Cantor Colburn LLP

(57) **CLAIM**

The ornamental design for a dispenser for wine refrigerator, as shown and described.

DESCRIPTION

FIG. 1 is a front perspective view of a dispenser for wine refrigerator, showing our new design;

FIG. 2 is a front view thereof;

FIG. 3 is a rear view thereof;

FIG. 4 is a side view thereof;

FIG. 5 is another side view thereof;

FIG. 6 is a top view thereof;

FIG. 7 is a bottom view thereof;

FIG. 8 is an enlarged cross-sectional view taken along line 8-8 thereof in FIG. 2; and,

FIG. 9 is another perspective view thereof in an environment of use.

The broken lines in the figures are for environmental purposes only and form no part of the claimed design.

1 Claim, 9 Drawing Sheets

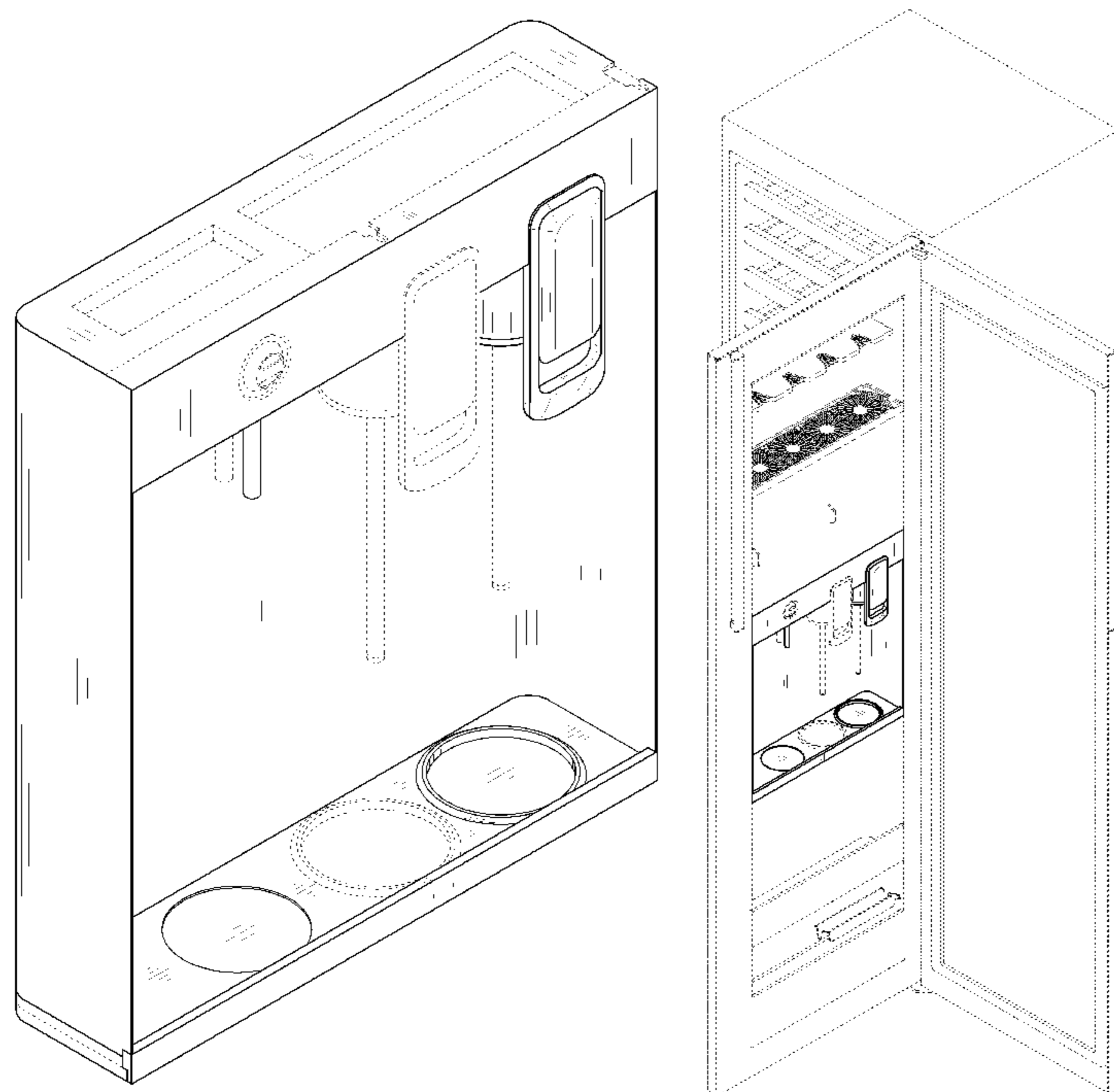


FIG. 1

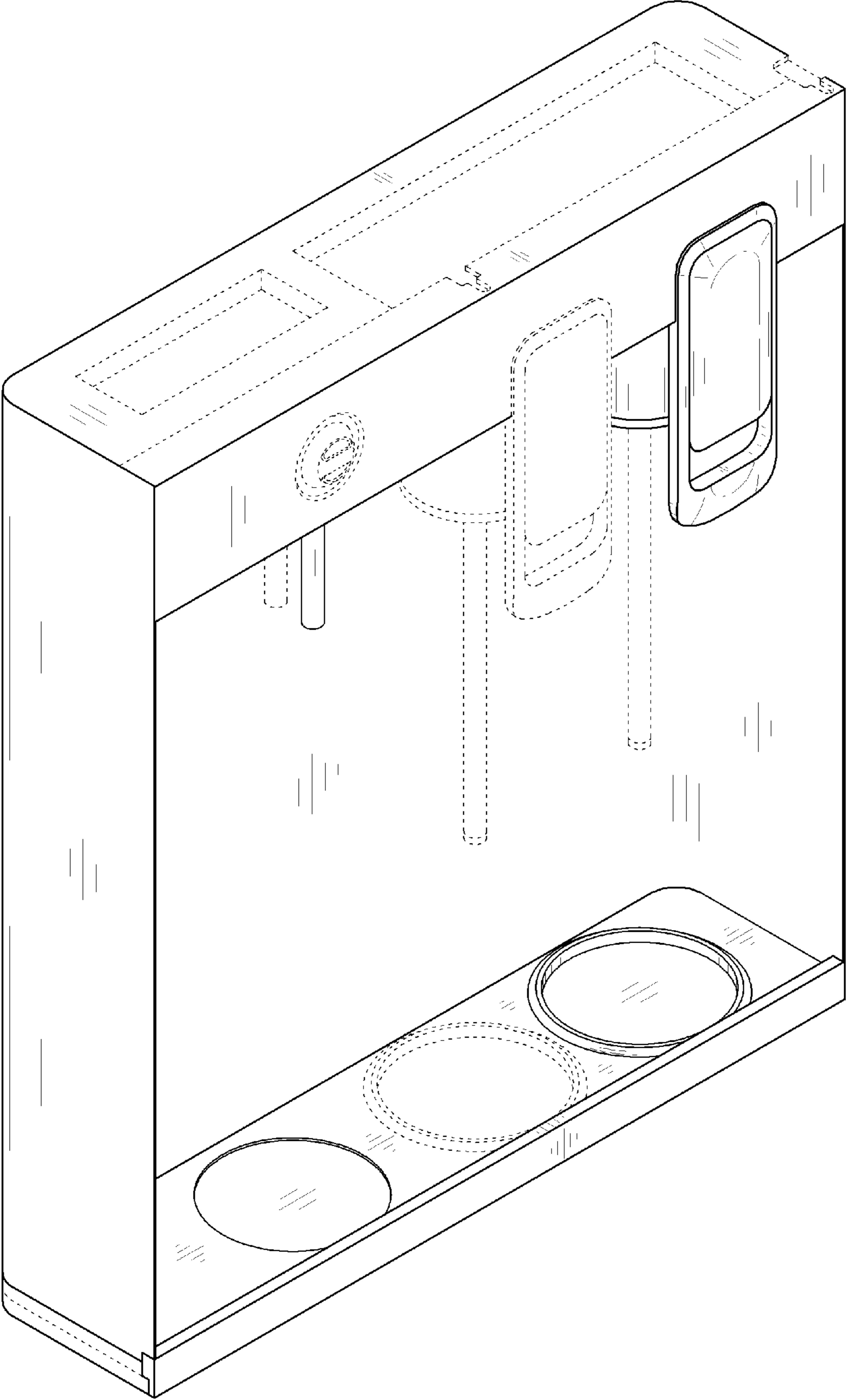


FIG. 2

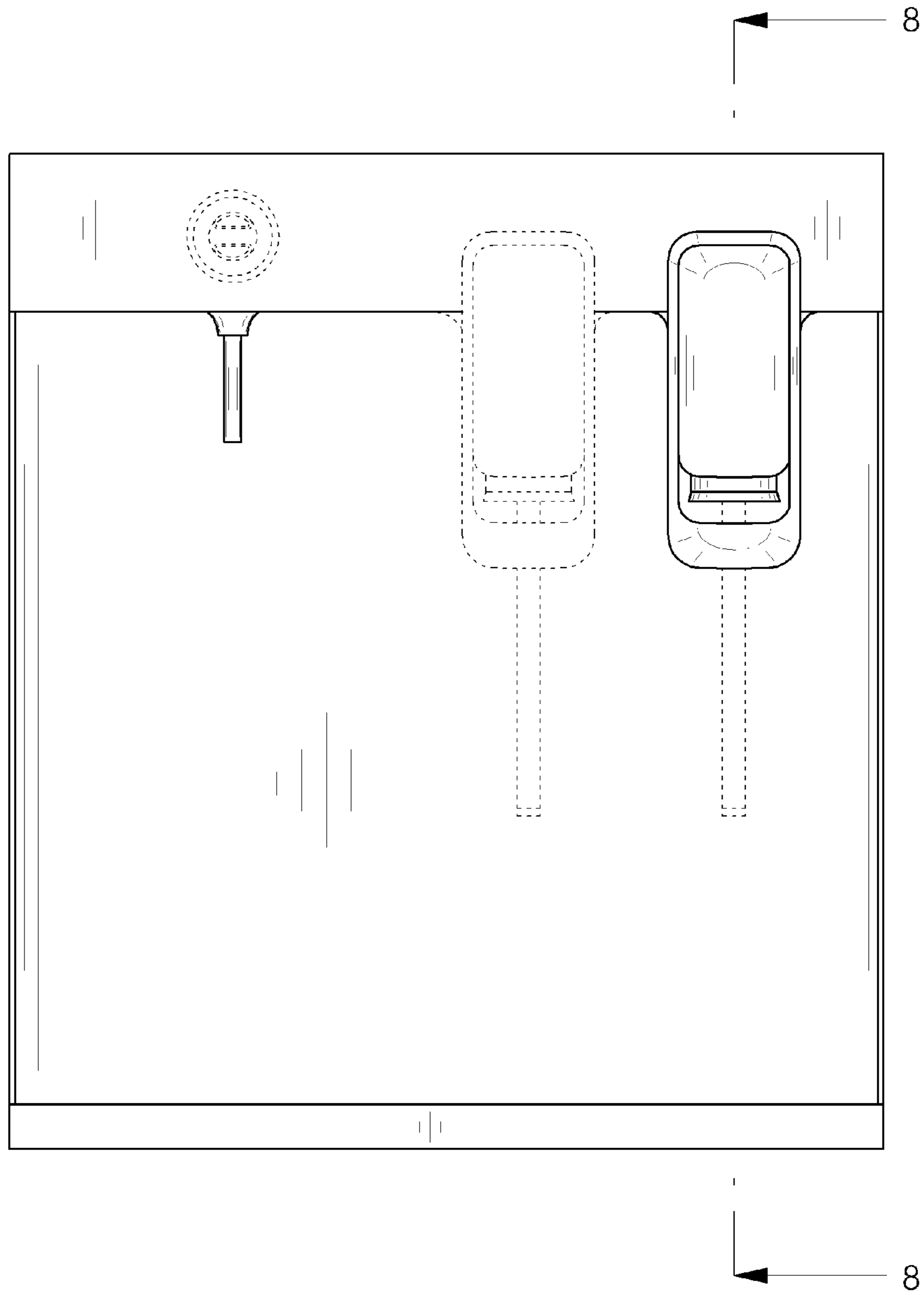


FIG. 3

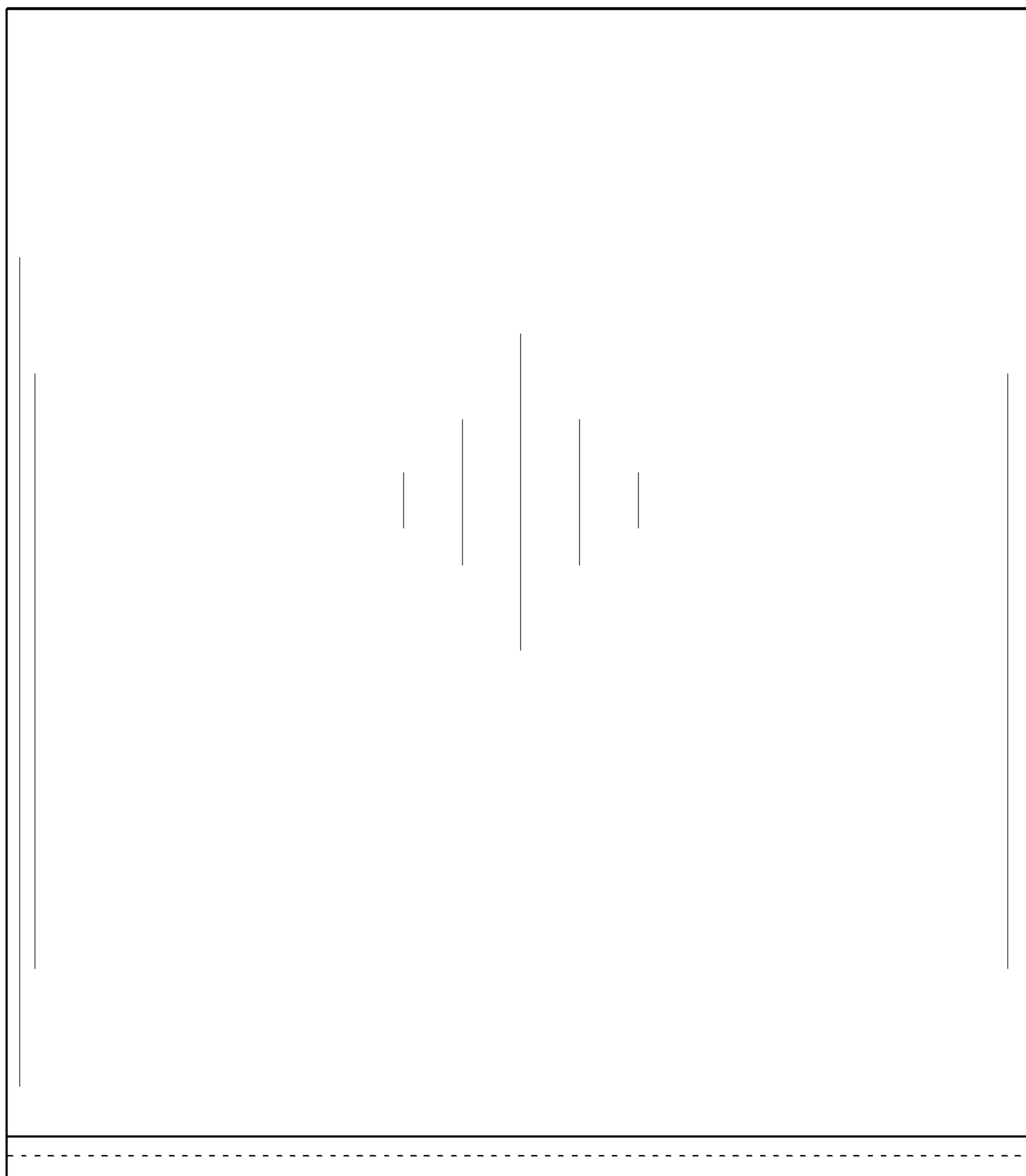


FIG. 4

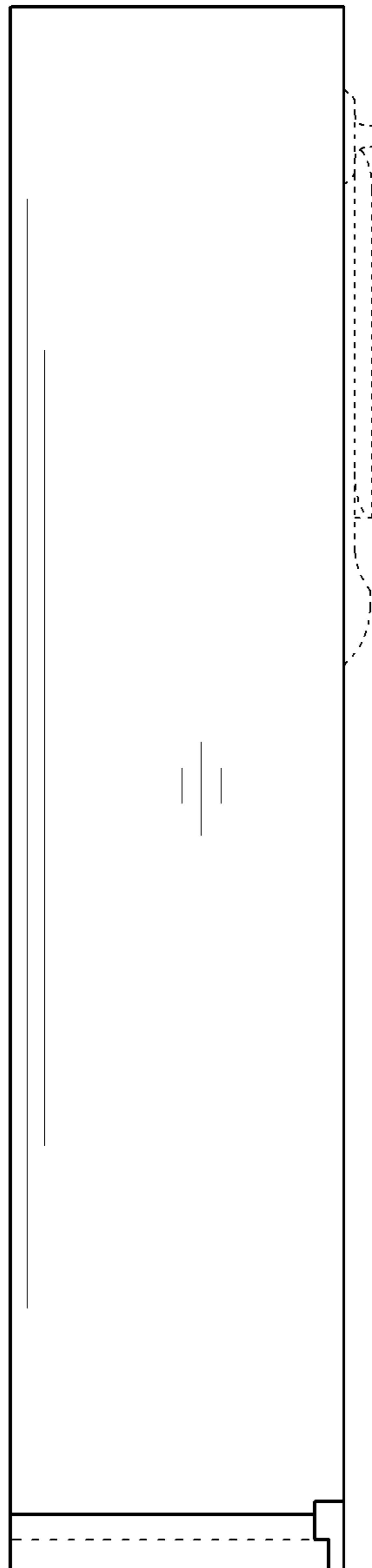


FIG. 5

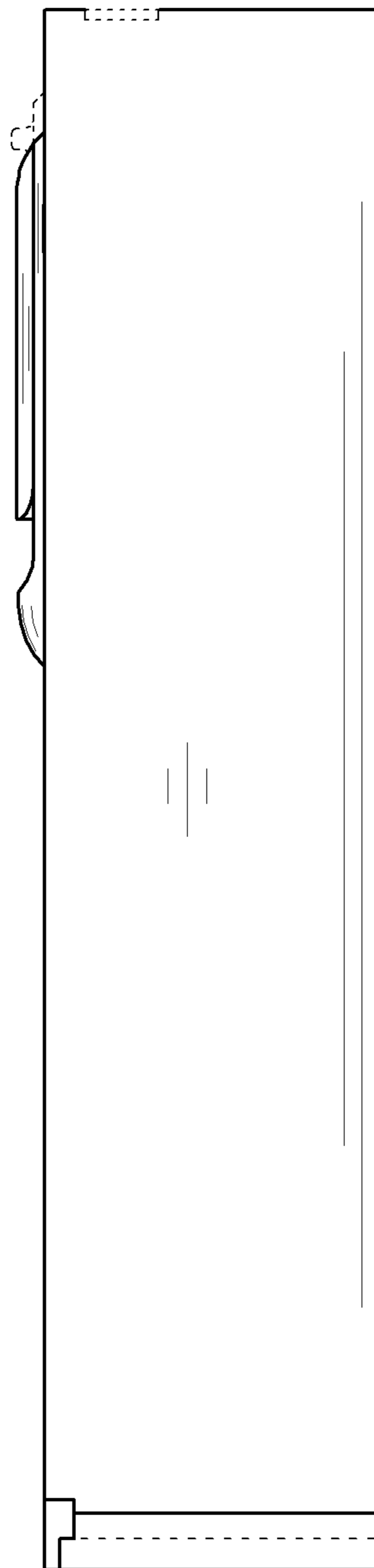


FIG. 6

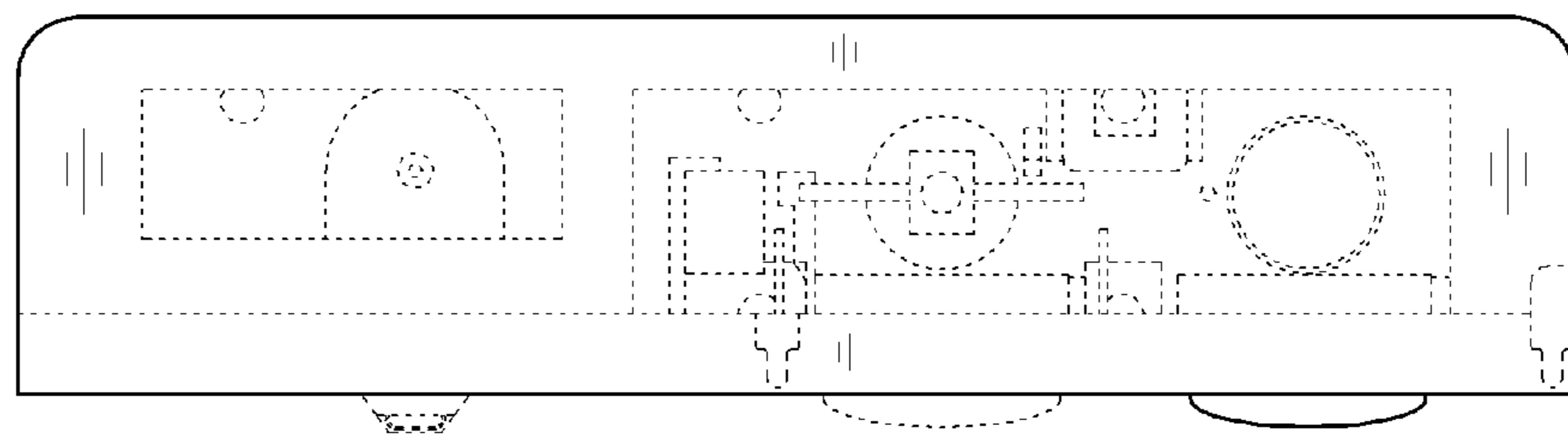


FIG. 7

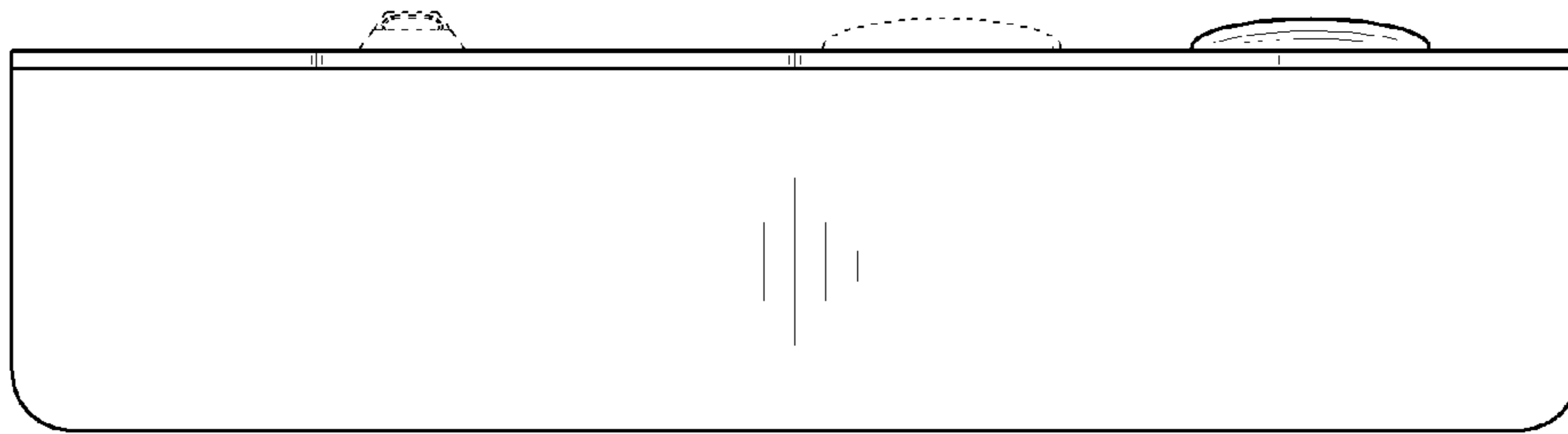


FIG. 8

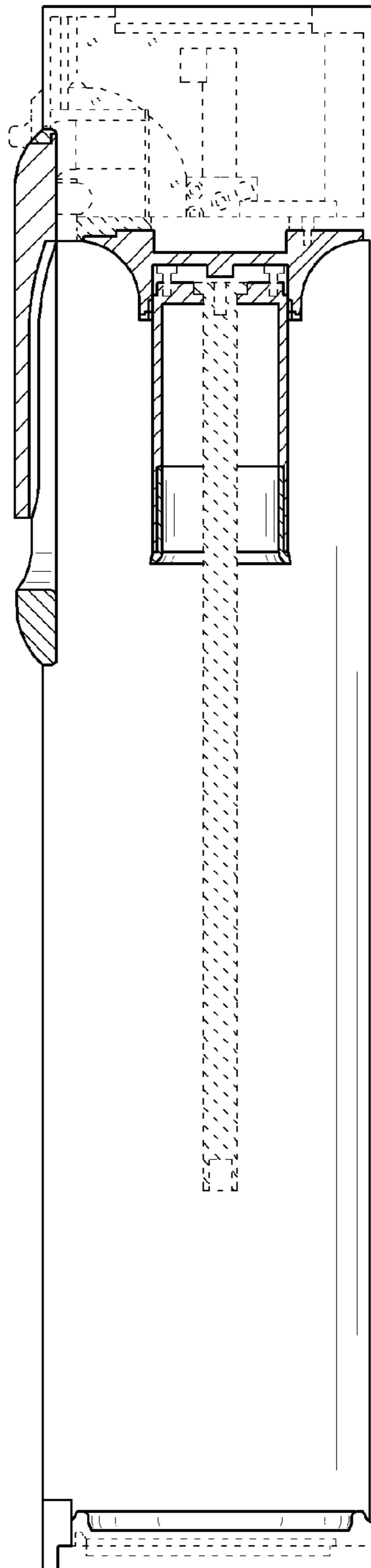


FIG. 9

