



US00D765743S

(12) **United States Design Patent**
Ozaki

(10) **Patent No.:** **US D765,743 S**
(45) **Date of Patent:** **** Sep. 6, 2016**

- (54) **DRAWER FOR REFRIGERATOR**
- (71) Applicant: **Panasonic Corporation**, Kadoma-shi, Osaka (JP)
- (72) Inventor: **Norikazu Ozaki**, Osaka (JP)
- (73) Assignee: **PANASONIC CORPORATION**, Osaka (JP)
- (**) Term: **14 Years**
- (21) Appl. No.: **29/503,661**
- (22) Filed: **Sep. 29, 2014**
- (30) **Foreign Application Priority Data**

5,160,812	A *	11/1992	Takahashi	F16L 3/23 174/135
5,649,983	A *	7/1997	Akagi	H01M 8/0206 29/623.1
5,846,668	A *	12/1998	Watanabe	H01M 8/0206 204/258
5,871,369	A *	2/1999	Obayashi	H01R 12/78 439/331
5,871,849	A *	2/1999	Lepine	B32B 21/08 142/7
6,229,692	B1 *	5/2001	Stendardo	H02B 1/04 174/68.2
7,469,437	B2 *	12/2008	Mikkelsen	A47C 7/022 5/655.9
D656,968	S	4/2012	Hwang et al.		
D675,235	S	1/2013	Covert		
D677,289	S	3/2013	Seo et al.		
D706,315	S	6/2014	Seo et al.		
8,740,006	B2 *	6/2014	Matson	F16N 31/00 141/86

Aug. 25, 2014 (EM) 002524249-0001

- (51) **LOC (10) Cl.** **15-07**
- (52) **U.S. Cl.**
USPC **D15/89**
- (58) **Field of Classification Search**
USPC D15/70-91; D12/191, 195, 196;
D3/318-319; D6/702, 705, 705.7, 706,
D6/337, 691.1, 577
See application file for complete search history.

FOREIGN PATENT DOCUMENTS

JP	D1361265 S	6/2009
JP	D1462048 S	2/2013

* cited by examiner

Primary Examiner — Ian Simmons
Assistant Examiner — Khawaja Anwar
(74) *Attorney, Agent, or Firm* — Brinks Gilson & Lione

- (56) **References Cited**

U.S. PATENT DOCUMENTS

460,054	A *	9/1891	Rhind	F23D 14/00 431/352
1,576,211	A *	3/1926	O’Kane	A47C 27/081 5/710
1,656,199	A *	1/1928	Hodgson	A63H 33/14 434/403
3,607,442	A *	9/1971	Hall	H01M 2/32 204/196.1
4,854,899	A *	8/1989	Matthews	H01R 31/02 439/724
4,957,263	A *	9/1990	Leluan, Jr.	A47F 7/0064 248/176.1
5,102,129	A *	4/1992	Roberts	A63B 5/22 273/239

(57) **CLAIM**
I claim the ornamental design for a drawer for refrigerator, as shown and described.

DESCRIPTION

FIG. 1 is a top perspective view of a drawer for refrigerator of the present invention;
FIG. 2 is a front view thereof;
FIG. 3 is a top view thereof;
FIG. 4 is a rear view thereof; and,
FIG. 5 is a first side view thereof, the second side view being a mirror image thereof.
The broken lines shown represent unclaimed subject matter and form no part of the claimed design.

1 Claim, 5 Drawing Sheets

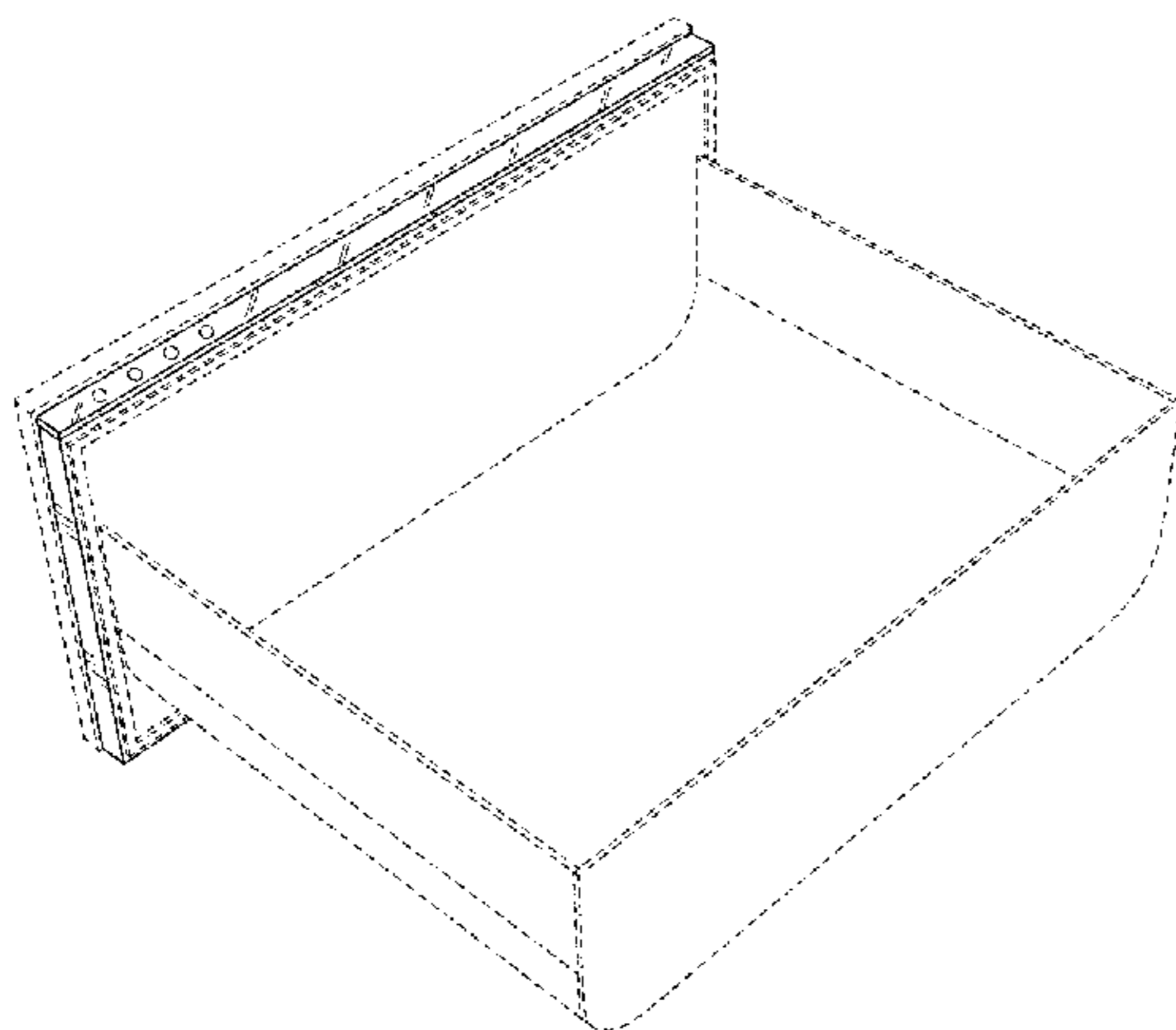


FIG. 1

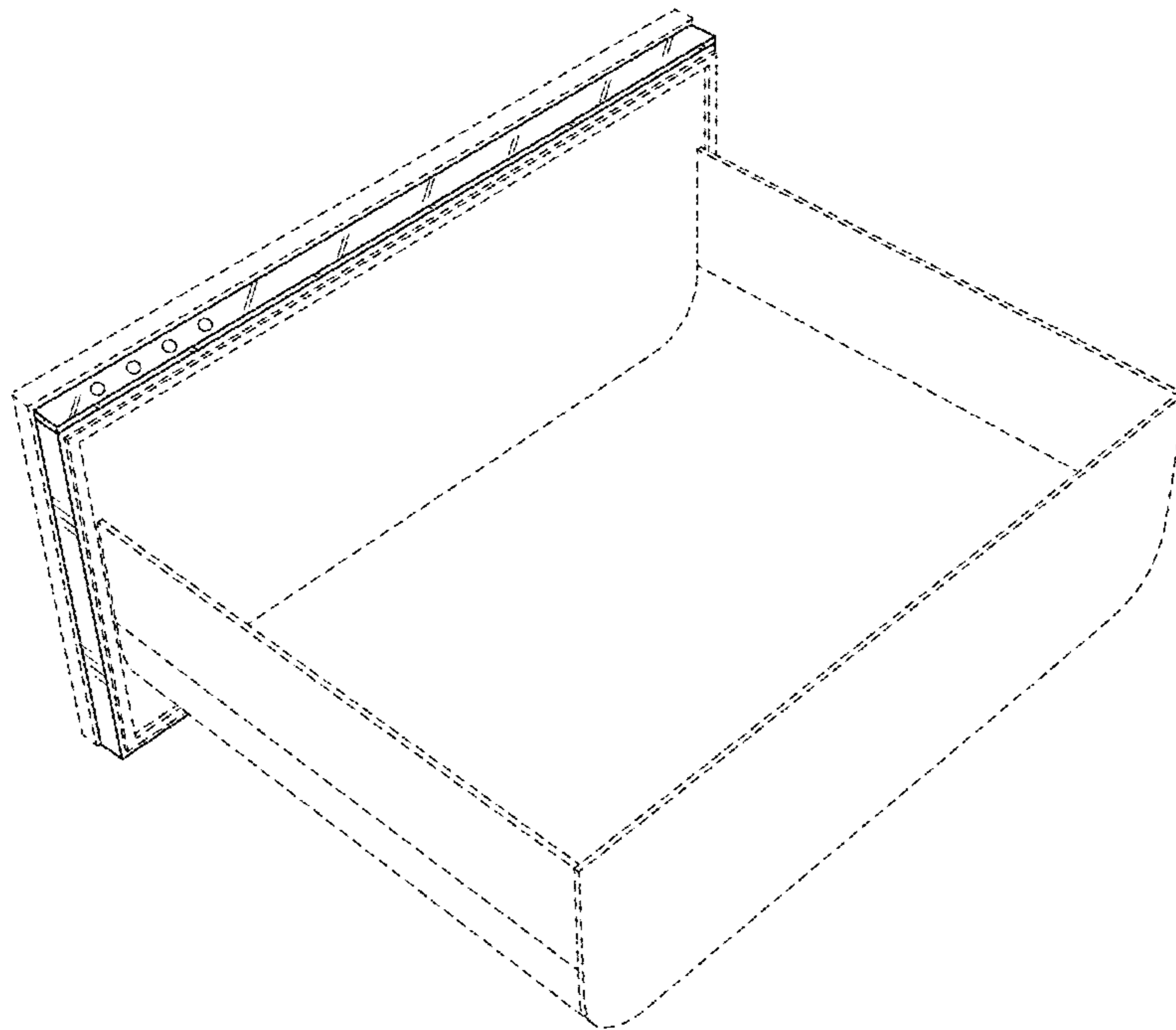


FIG.2



FIG. 3

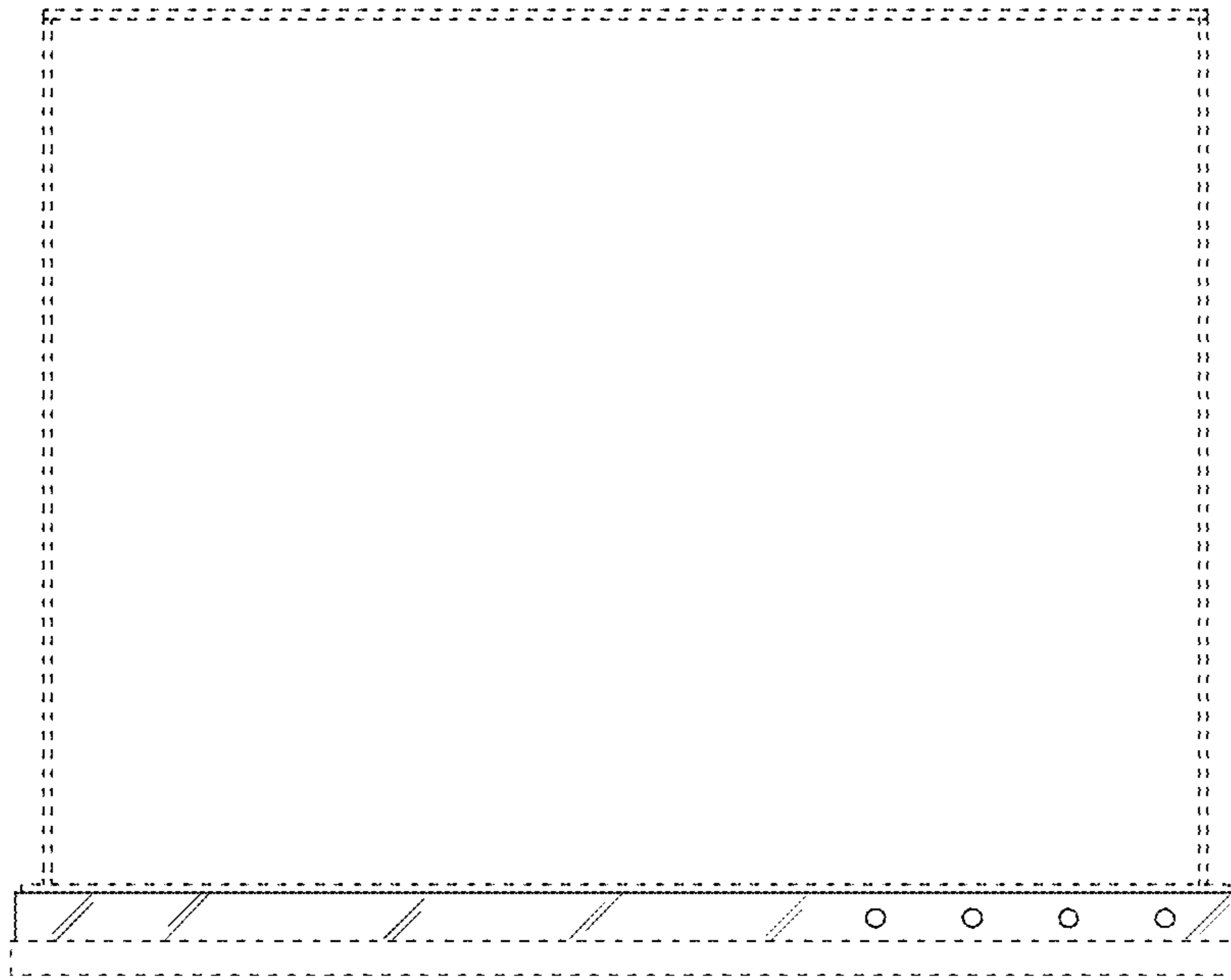


FIG. 4

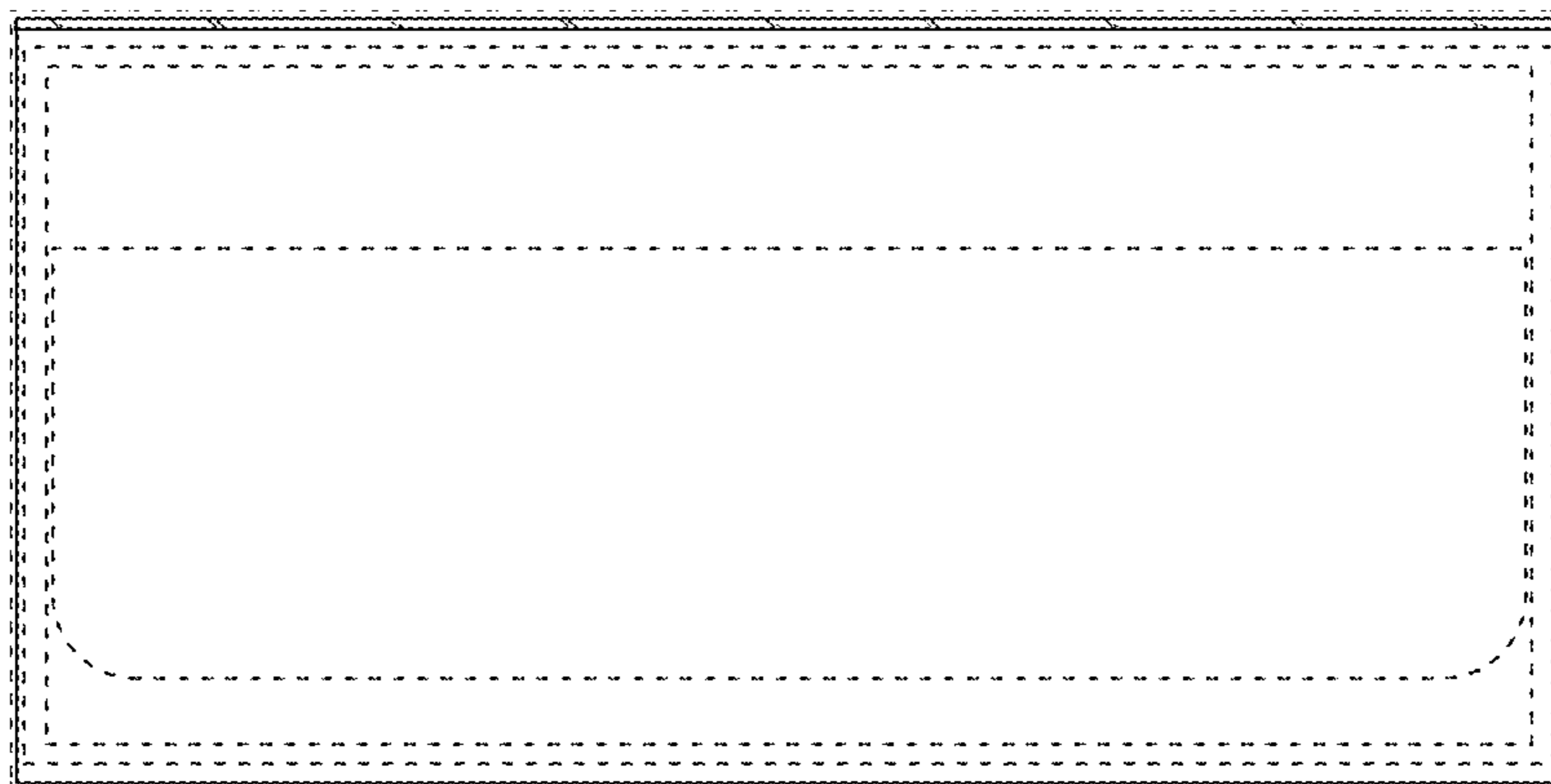


FIG. 5

