



US00D765742S

(12) **United States Design Patent** (10) **Patent No.:** **US D765,742 S**  
**Asano** (45) **Date of Patent:** **\*\* Sep. 6, 2016**

- (54) **SEWING MACHINE**
- (71) Applicant: **BROTHER INDUSTRIES, LTD.**,  
Nagoya-shi, Aichi-ken (JP)
- (72) Inventor: **Masahide Asano**, Nagoya (JP)
- (73) Assignee: **BROTHER INDUSTRIES, LTD.**,  
Nagoya (JP)
- (\*\*) Term: **15 Years**
- (21) Appl. No.: **29/528,585**
- (22) Filed: **May 29, 2015**
- (51) **LOC (10) Cl.** ..... **15-03**
- (52) **U.S. Cl.**  
USPC ..... **D15/69**
- (58) **Field of Classification Search**  
USPC ..... D15/66, 69-76, 78  
CPC ..... D05B 1/00-25/00  
See application file for complete search history.

- (56) **References Cited**
- U.S. PATENT DOCUMENTS
- |              |         |           |       |        |
|--------------|---------|-----------|-------|--------|
| D430,886 S * | 9/2000  | Yamamoto  | ..... | D15/69 |
| D450,720 S * | 11/2001 | Kuroki    | ..... | D15/69 |
| D515,111 S * | 2/2006  | Egami     | ..... | D15/69 |
| D516,589 S * | 3/2006  | Katsuyama | ..... | D15/69 |
| D523,876 S * | 6/2006  | Egami     | ..... | D15/69 |
| D578,553 S * | 10/2008 | Inada     | ..... | D15/69 |

- |              |         |         |       |        |
|--------------|---------|---------|-------|--------|
| D594,481 S * | 6/2009  | Inada   | ..... | D15/69 |
| D628,605 S * | 12/2010 | Mutoh   | ..... | D15/69 |
| D671,567 S * | 11/2012 | Muto    | ..... | D15/69 |
| D687,869 S * | 8/2013  | Hattori | ..... | D15/69 |
| D687,870 S * | 8/2013  | Hattori | ..... | D15/69 |
| D691,181 S * | 10/2013 | Asano   | ..... | D15/69 |
| D709,923 S * | 7/2014  | Muto    | ..... | D15/69 |
| D724,110 S * | 3/2015  | Asano   | ..... | D15/69 |
| D724,111 S * | 3/2015  | Asano   | ..... | D15/69 |
| D725,684 S * | 3/2015  | Muto    | ..... | D15/69 |
| D725,685 S * | 3/2015  | Muto    | ..... | D15/69 |

\* cited by examiner

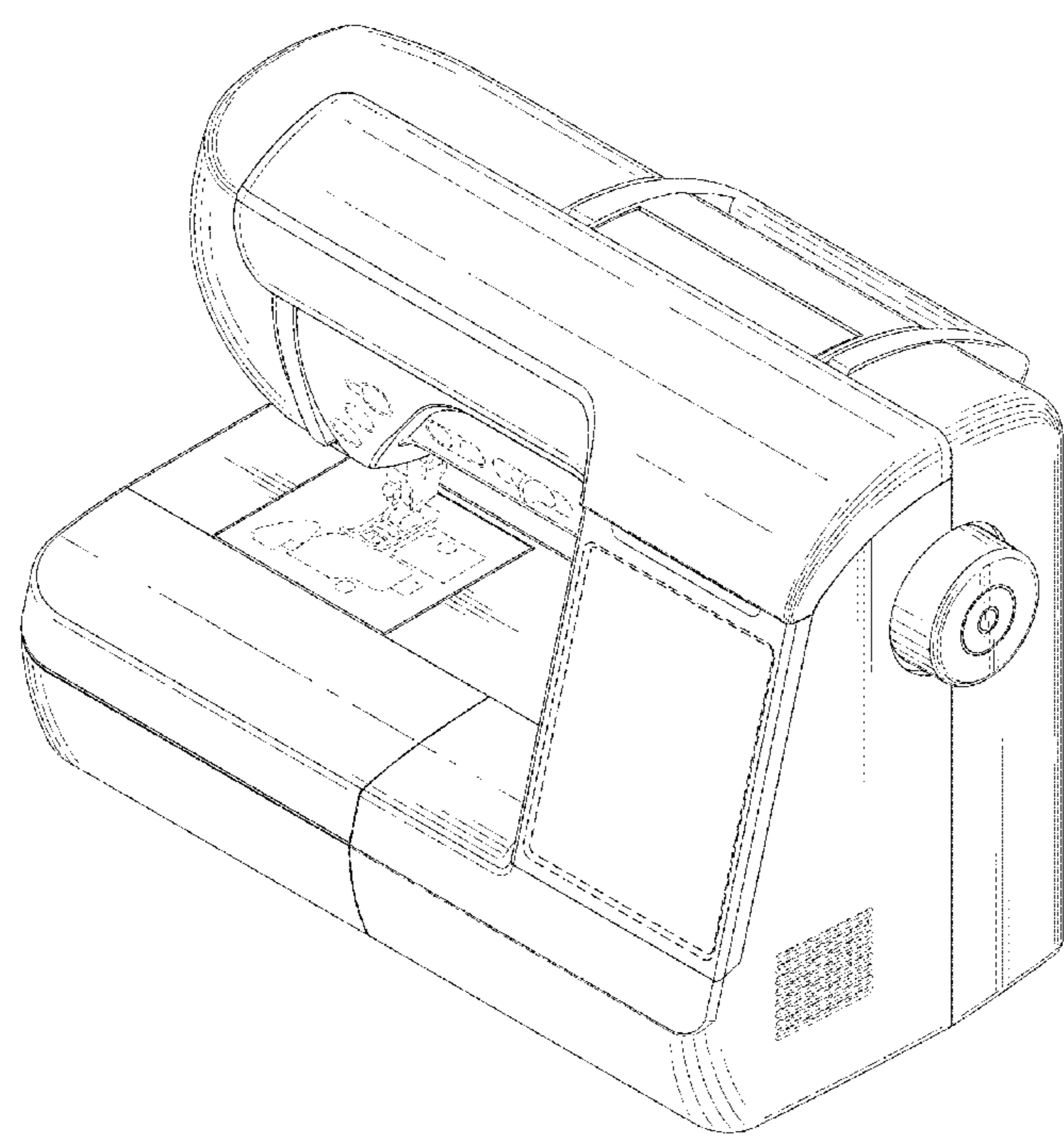
*Primary Examiner* — Mitchell Siegel  
(74) *Attorney, Agent, or Firm* — Oliff PLC

(57) **CLAIM**  
The ornamental design for a sewing machine, as shown and described.

**DESCRIPTION**

FIG. 1 is a perspective view of a sewing machine;  
FIG. 2 is a front view thereof;  
FIG. 3 is a top view thereof;  
FIG. 4 is a right-side view thereof;  
FIG. 5 is a left-side view thereof;  
FIG. 6 is a rear view thereof; and,  
FIG. 7 is a bottom view thereof.  
The broken lines depict environmental subject matter only and form no part of the claimed design.

**1 Claim, 7 Drawing Sheets**



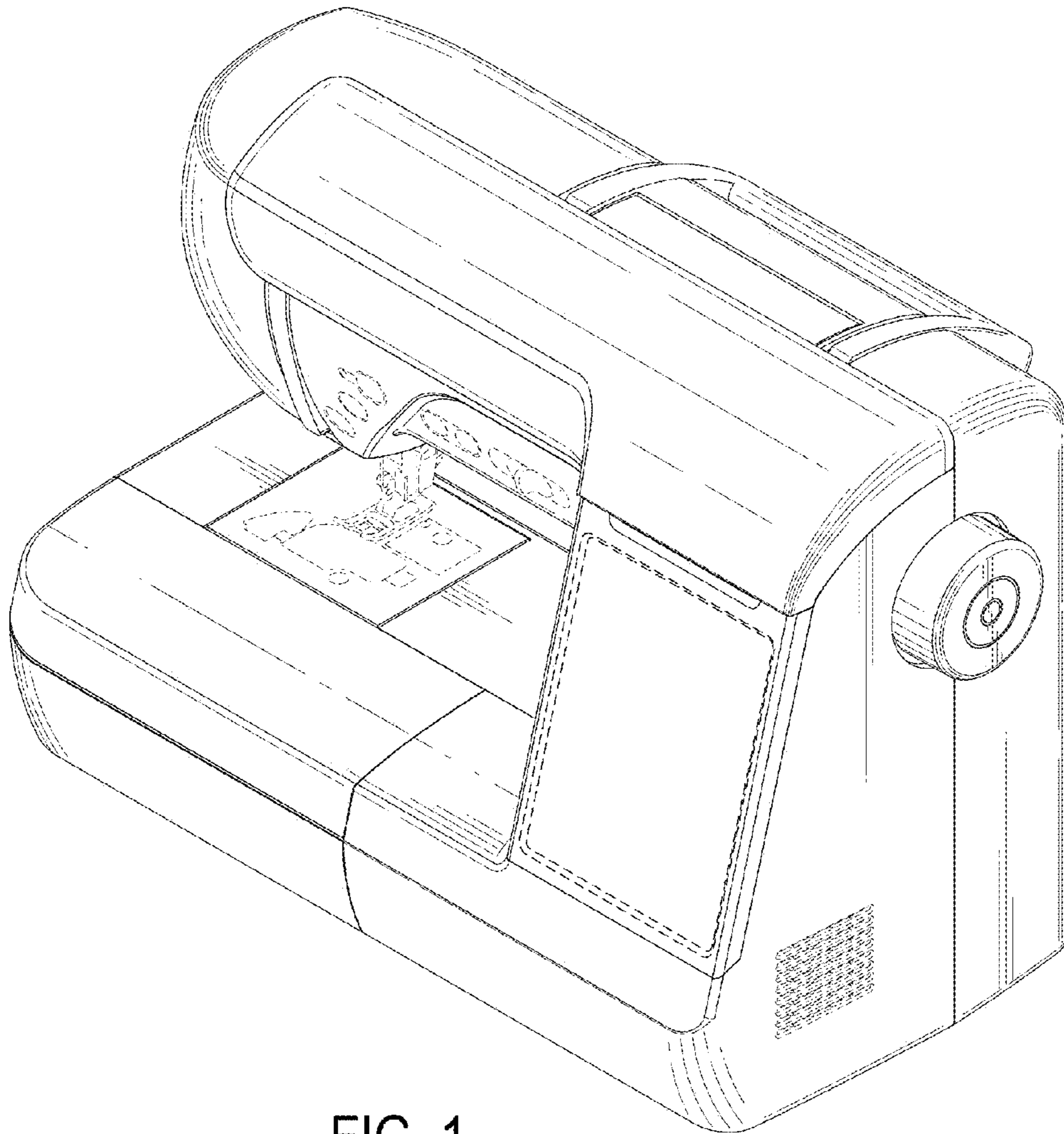


FIG. 1

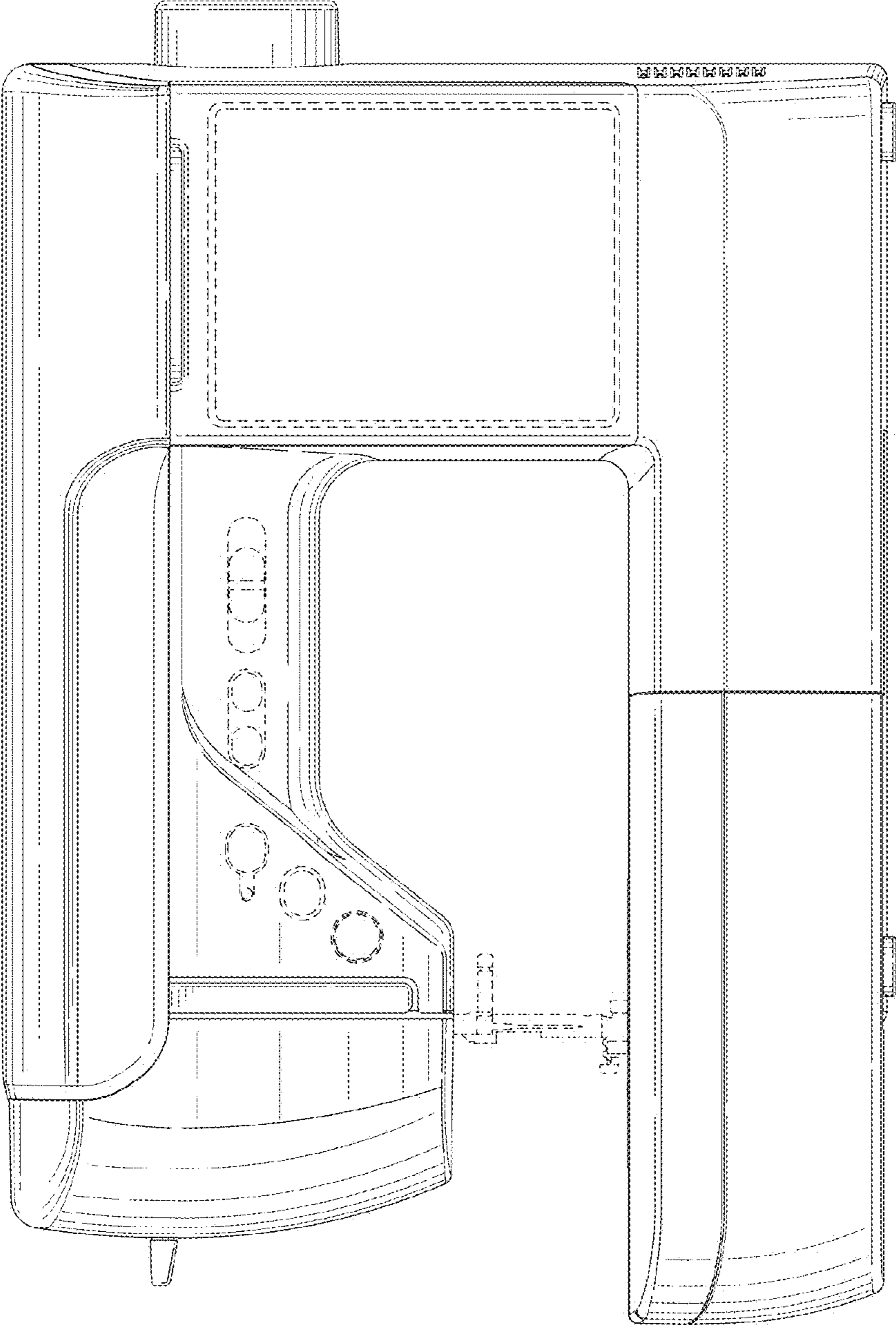


FIG. 2

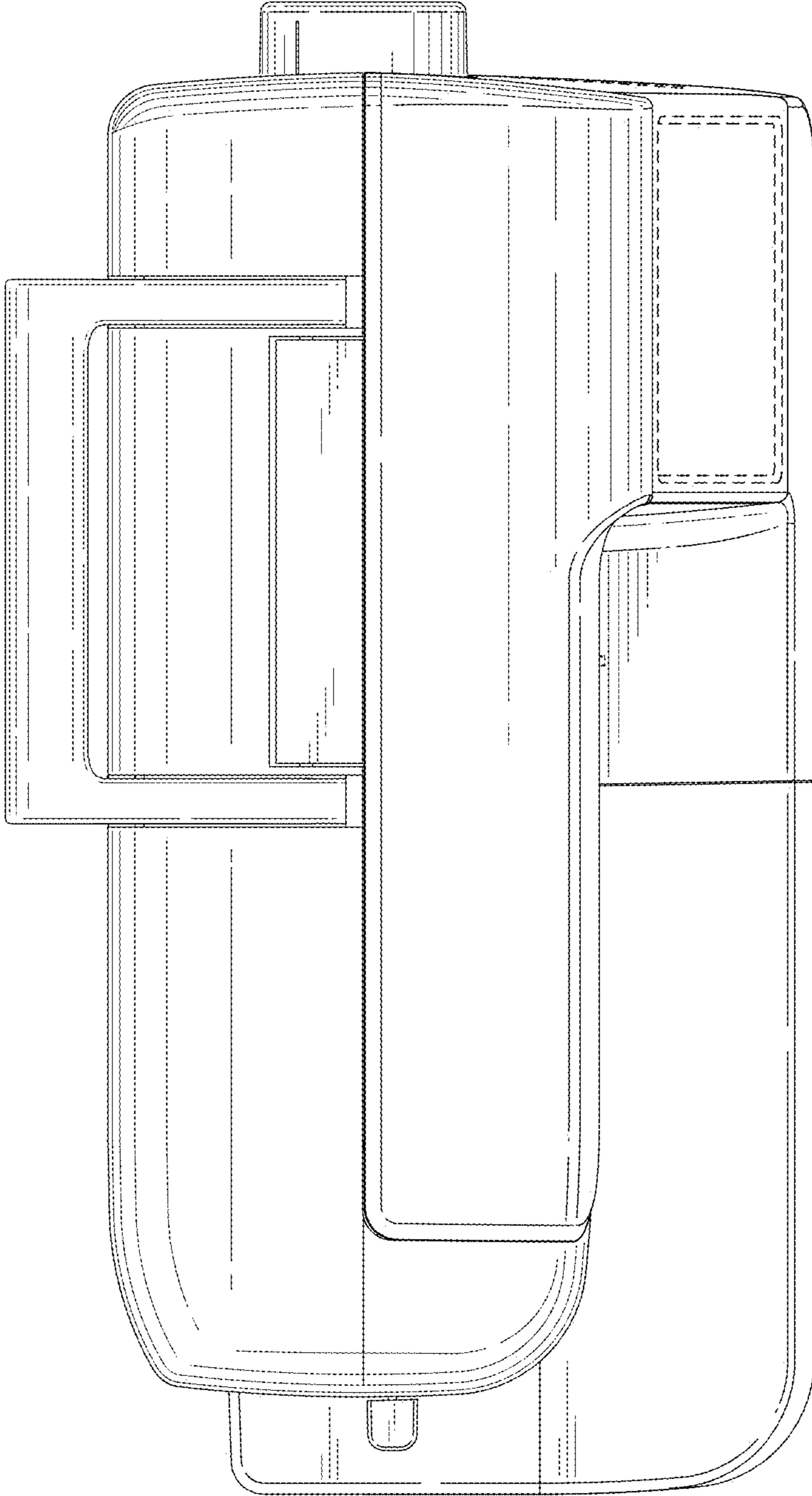


FIG. 3

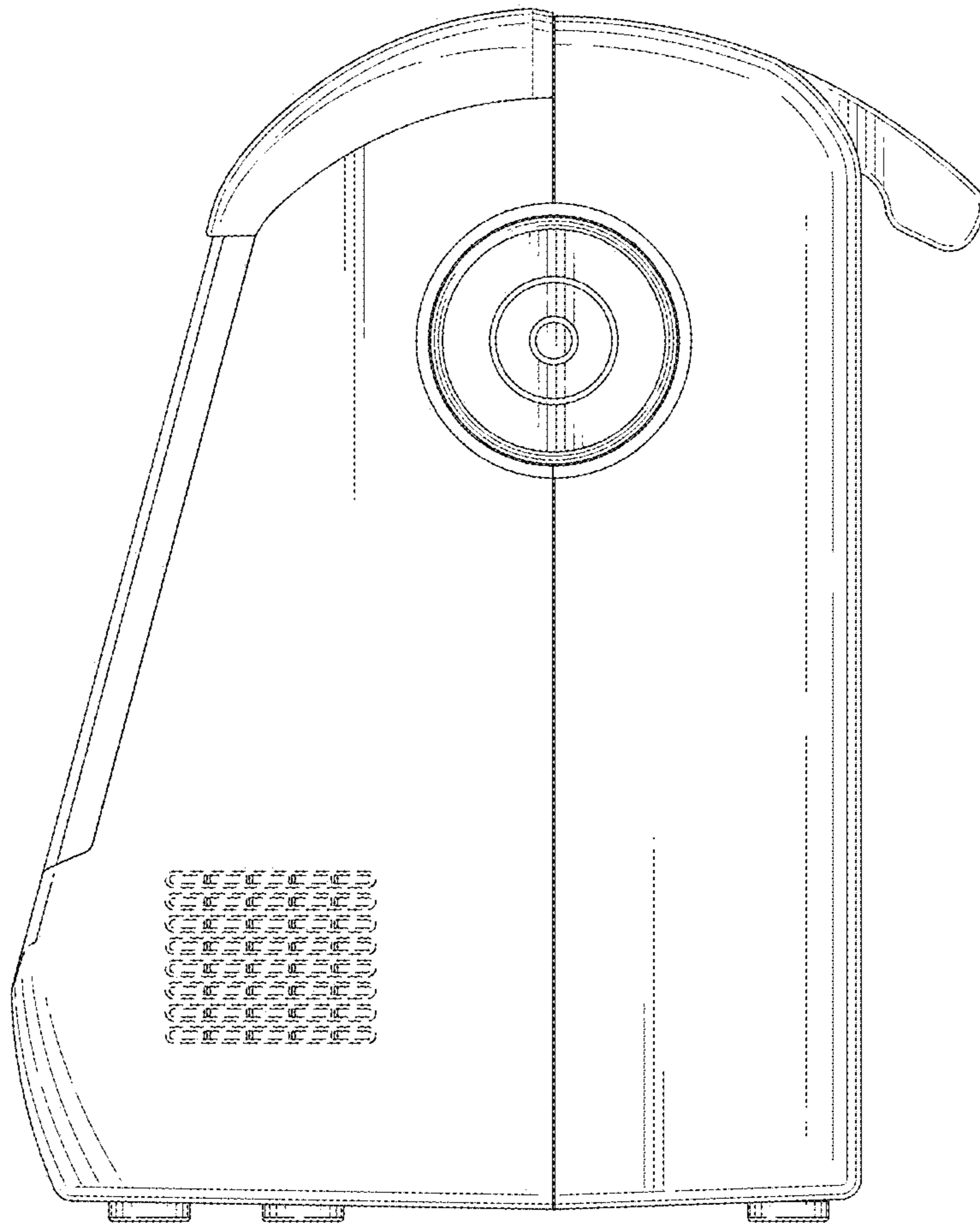


FIG. 4

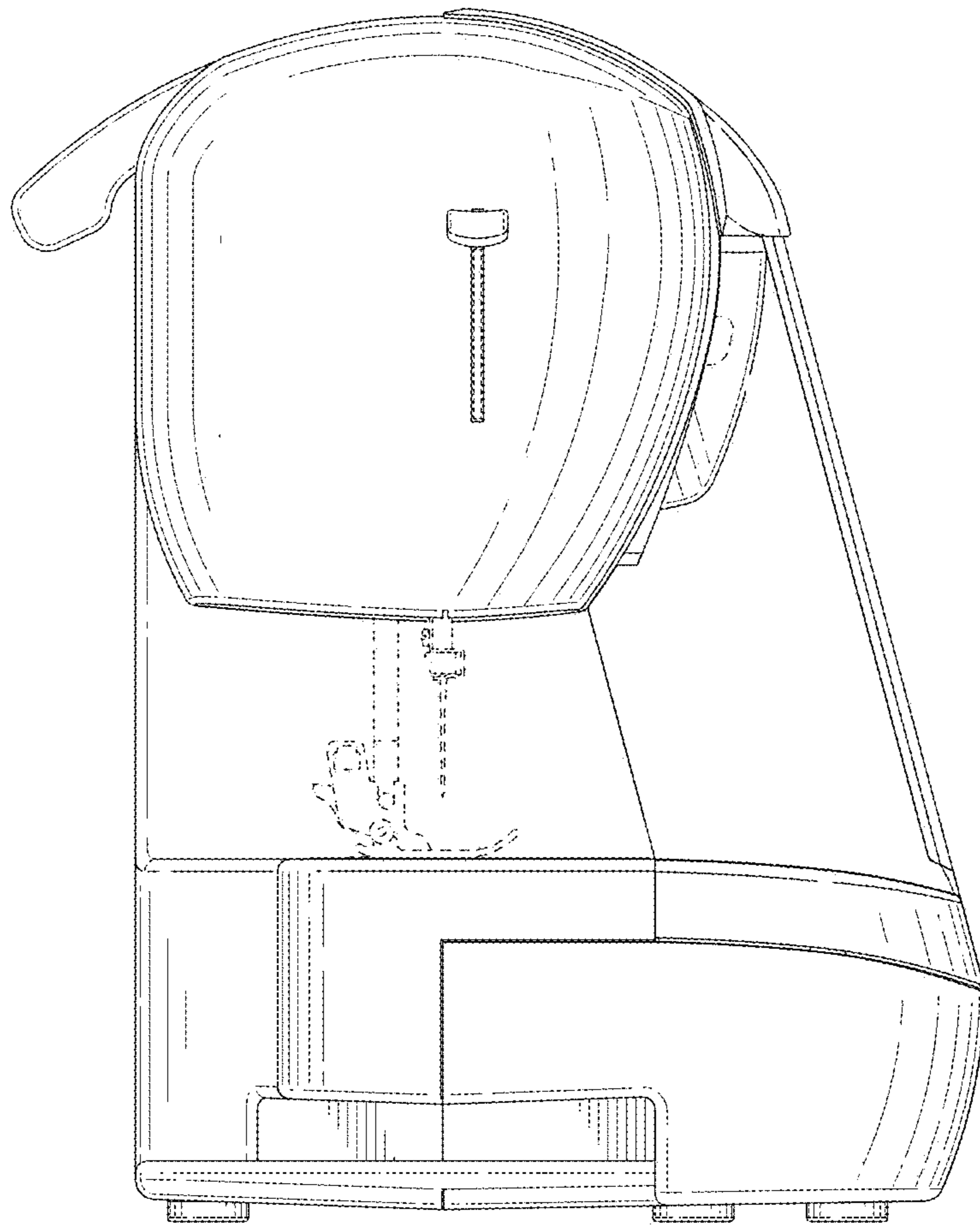


FIG. 5

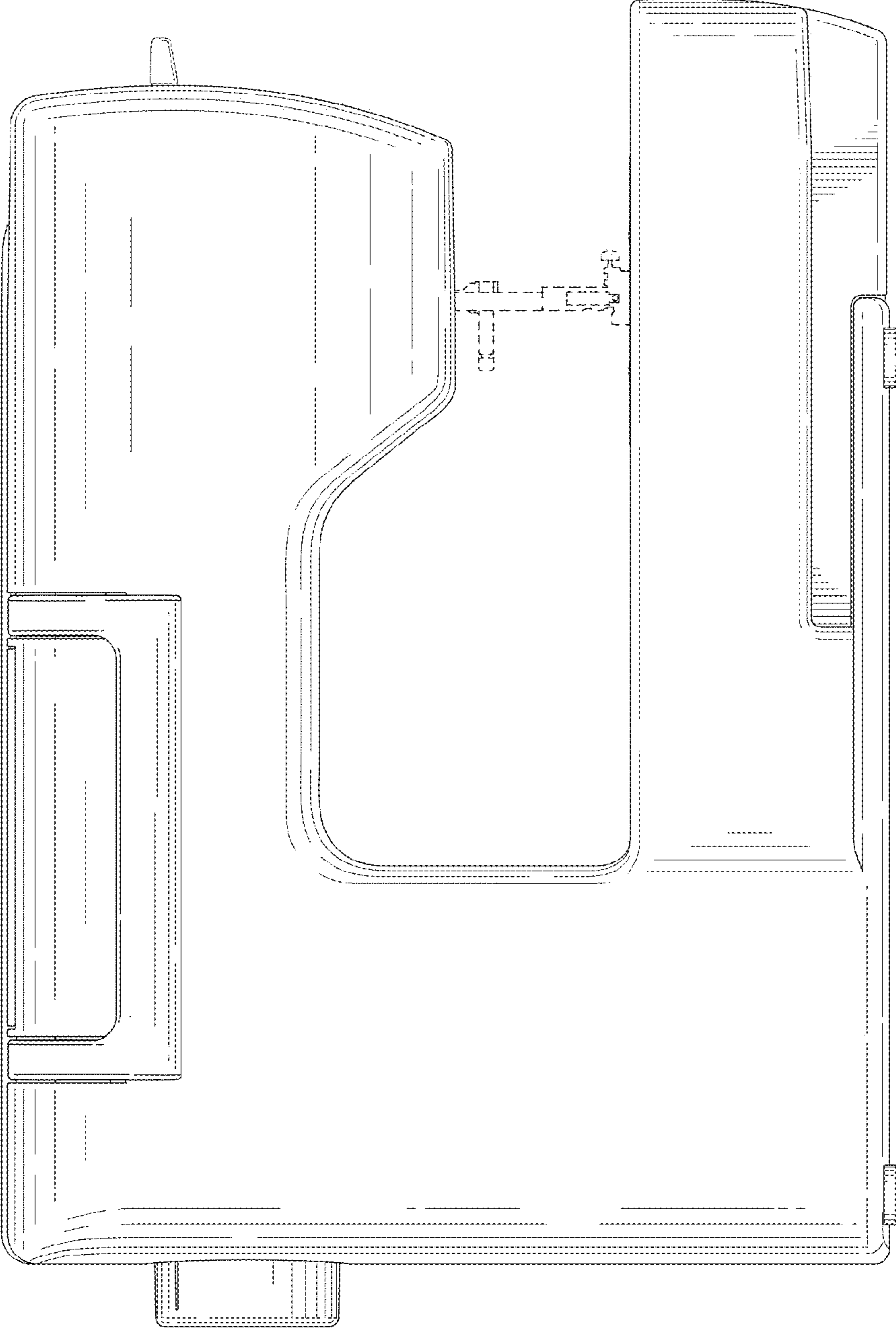


FIG. 6

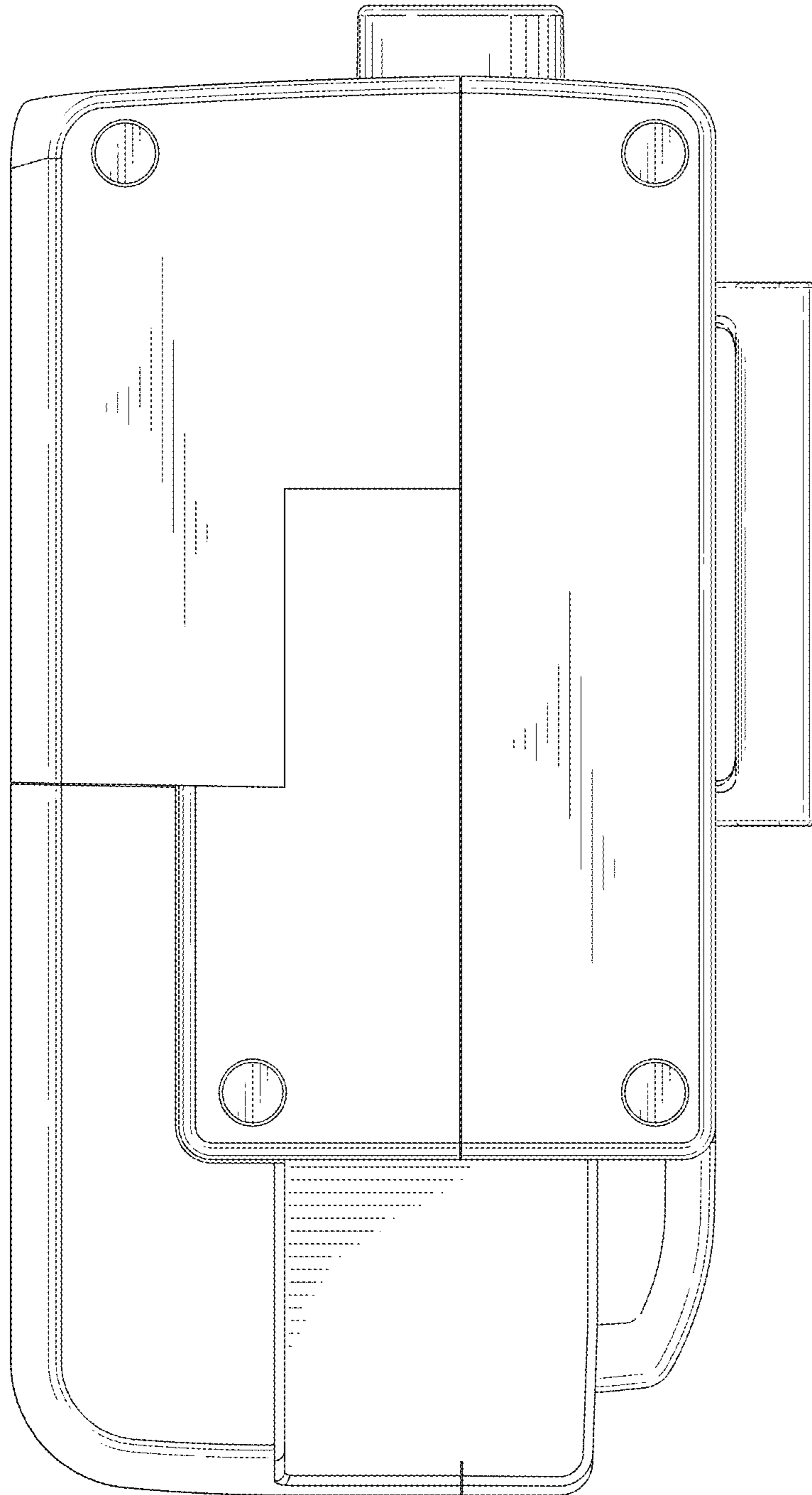


FIG. 7