



US00D765738S

(12) **United States Design Patent**
Treinen et al.

(10) **Patent No.:** **US D765,738 S**

(45) **Date of Patent:** **** Sep. 6, 2016**

- (54) **SELF-PROPELLED SPRAYER**
- (71) Applicant: **CNH Industrial America LLC**, New Holland, PA (US)
- (72) Inventors: **Kerry J. Treinen**, Malone, WI (US); **Steven M. Moretti**, Manitowoc, WI (US); **Nathan Paul Brooks**, Manitowoc, WI (US); **Lawrence R. Borucki, Jr.**, Oostburg, WI (US); **Steven N. Winkel**, Kiel, WI (US); **Ross P. Christiansen**, Kiel, WI (US); **Gary B. Swetish**, Racine, WI (US); **Mark L. Brenneman**, Burlington, WI (US)
- (73) Assignee: **CNH Industrial America LLC**, New Holland, PA (US)

D253,057	S	*	10/1979	Fachini	D15/26
D300,221	S	*	3/1989	Odahara	D15/24
D309,738	S	*	8/1990	Schober	D15/26
5,039,129	A	*	8/1991	Balmer	B60G 3/04 180/209
D344,737	S	*	3/1994	Long	D15/13
D351,843	S	*	10/1994	Larson	D15/13
D355,919	S	*	2/1995	Larson	D15/13
D373,591	S	*	9/1996	Von Allworden	D15/26
D399,851	S	*	10/1998	Stauffer	D15/10
D400,543	S	*	11/1998	Benedict	D15/10
D432,142	S	*	10/2000	Olson	D15/10
D436,363	S	*	1/2001	Strong	D15/10
D460,461	S	*	7/2002	Strong	D15/10
6,454,294	B1	*	9/2002	Bittner	A01B 51/026 180/68.4
D526,336	S	*	8/2006	Maas	D15/10
D560,693	S	*	1/2008	Moen	D15/31
D565,607	S	*	4/2008	Moen	D15/31

(Continued)

(**) Term: **14 Years**

(21) Appl. No.: **29/525,503**

(22) Filed: **Apr. 30, 2015**

(51) **LOC (10) Cl.** **15-03**

(52) **U.S. Cl.**
USPC **D15/28; D15/30**

(58) **Field of Classification Search**
USPC D15/10, 11, 13-17, 28, 22-26, 31, 30;
D12/173; 180/69.21, 89.1, 89.12, 900,
180/69.2, 68.1, 69.1; 56/13.3, 13.4, 15.8,
56/15.9, 320.1
CPC B62D 25/10; B62D 25/00; B62D
49/00-49/085; B60R 19/52; B60R 21/38;
B60K 13/02; B60K 11/08; B60K 11/04;
F01P 11/10; F01P 5/06; F01P 2001/005;
B60Y 2200/221

See application file for complete search history.

(56) **References Cited**

U.S. PATENT DOCUMENTS

D245,420	S	*	8/1977	Maucher	D15/26
D245,983	S	*	10/1977	Stone	D15/30

Primary Examiner — Mark Goodwin

(74) *Attorney, Agent, or Firm* — Rebecca L. Henkel

(57) **CLAIM**

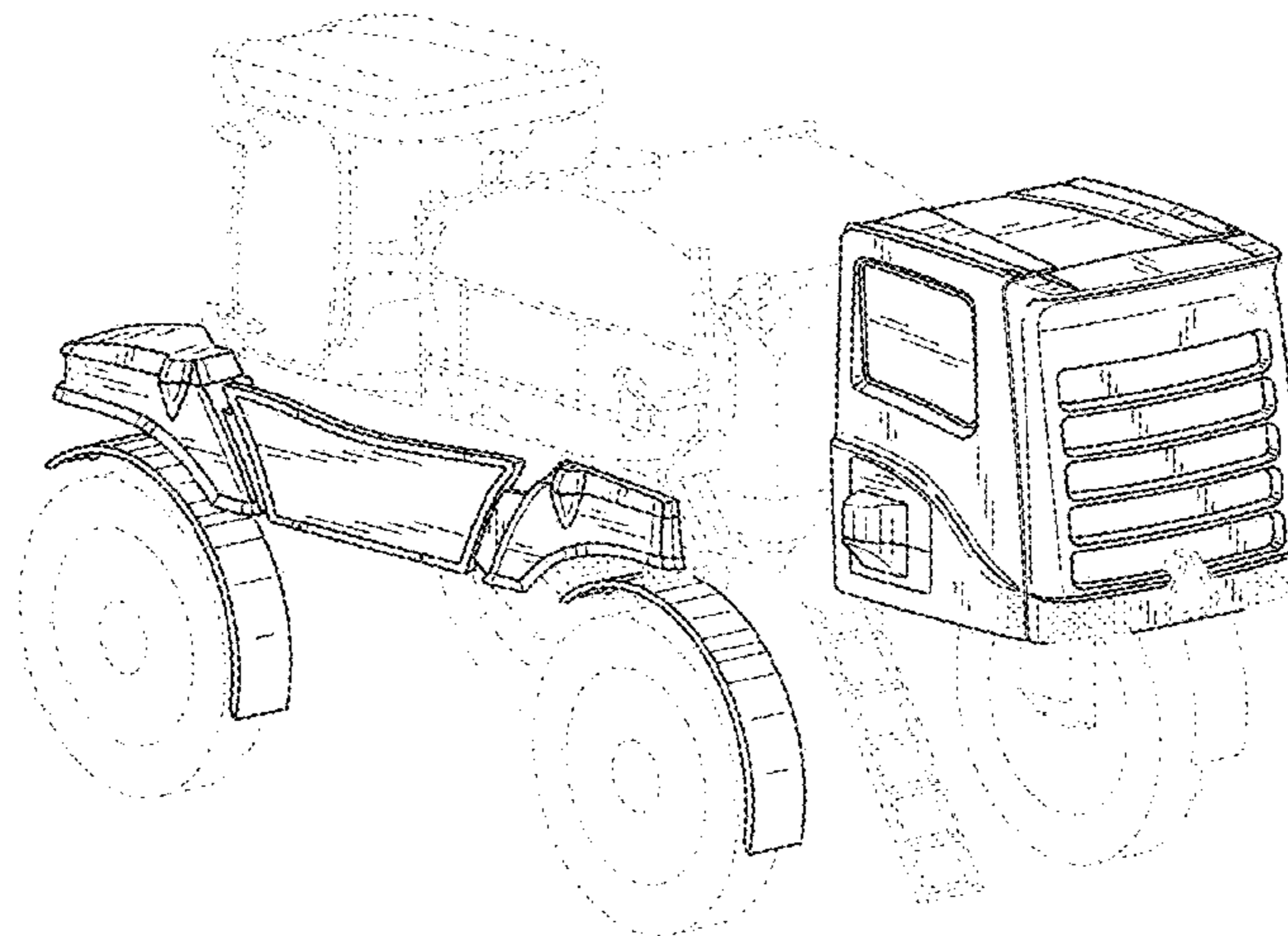
The ornamental design for a self-propelled sprayer, as shown and described.

DESCRIPTION

FIG. 1 is an isometric view of a self-propelled sprayer in accordance with the present invention;
FIG. 2 is a rear elevation view of the self-propelled sprayer of FIG. 1;
FIG. 3 is a side elevation view of a first side of the self-propelled sprayer of FIG. 1;
FIG. 4 is a top plan view of the self-propelled sprayer of FIG. 1;
FIG. 5 is a side elevation view of a second side of the self-propelled sprayer of FIG. 1; and,
FIG. 6 is a front elevation view of the self-propelled sprayer of FIG. 1.

The broken line showing of the sprayer vehicle is included for the purpose of illustrating environmental structure only and forms no part of the claimed design.

1 Claim, 6 Drawing Sheets



(56)

References Cited

U.S. PATENT DOCUMENTS

D566,138 S *	4/2008	Forkert	D15/27	D648,357 S *	11/2011	Hagele	D15/27
D568,342 S *	5/2008	Kleingraeber	D15/26	D717,345 S *	11/2014	Budde	D15/26
D599,830 S *	9/2009	Jacobsthal	D15/26	D723,071 S *	2/2015	Jacobsthal	D15/33
D619,627 S *	7/2010	Budde	D15/28	D736,271 S *	8/2015	Jacobsthal	D15/33
D639,826 S *	6/2011	Barrelmeyer	D15/26	D743,450 S *	11/2015	Claeys	D15/33
D643,052 S *	8/2011	Hagele	D15/27	D746,342 S *	12/2015	Jacobsthal	D15/33
				2011/0147497 A1 *	6/2011	Hiddema	A01M 7/0085 239/722

* cited by examiner

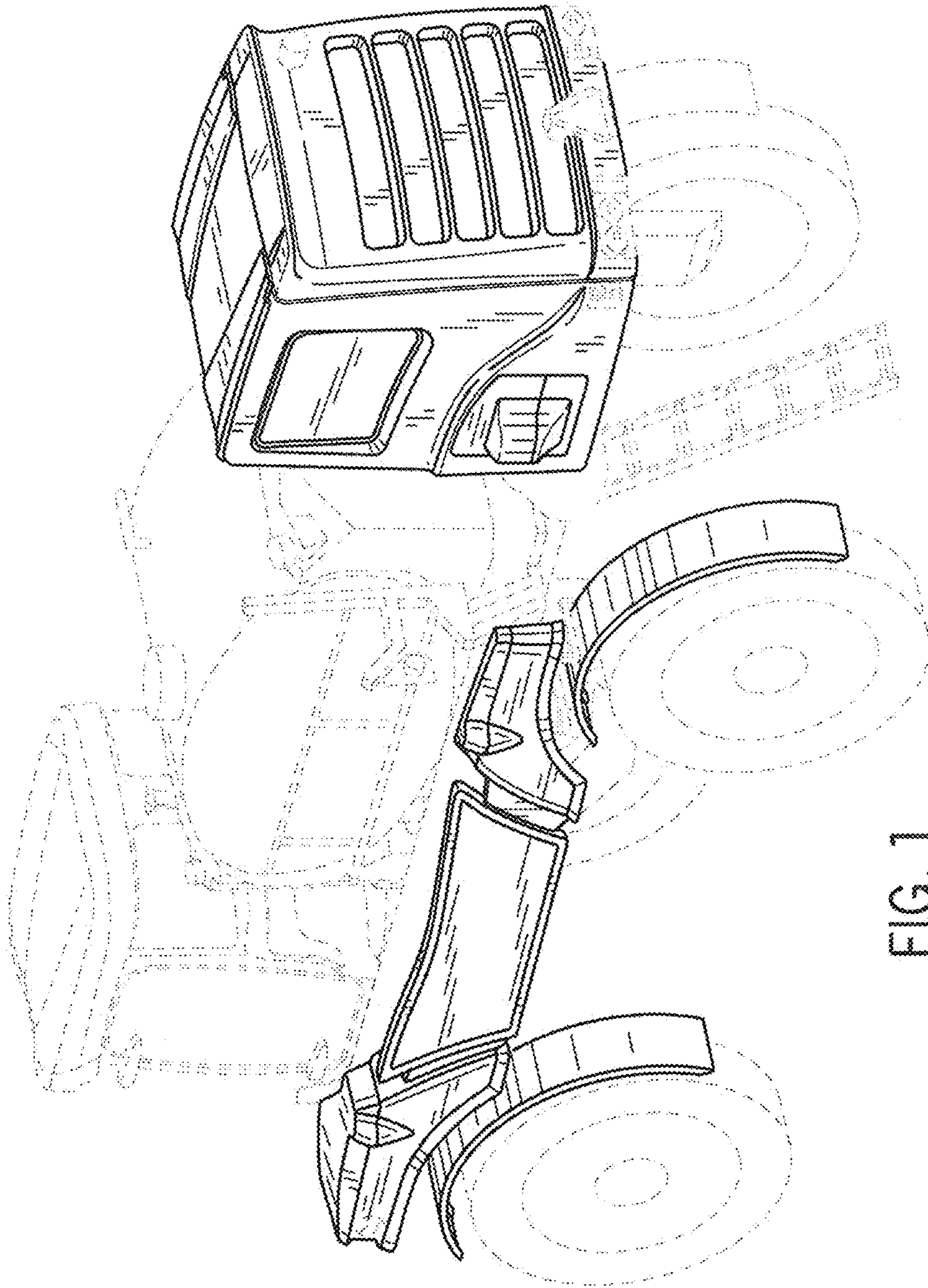


FIG. 1

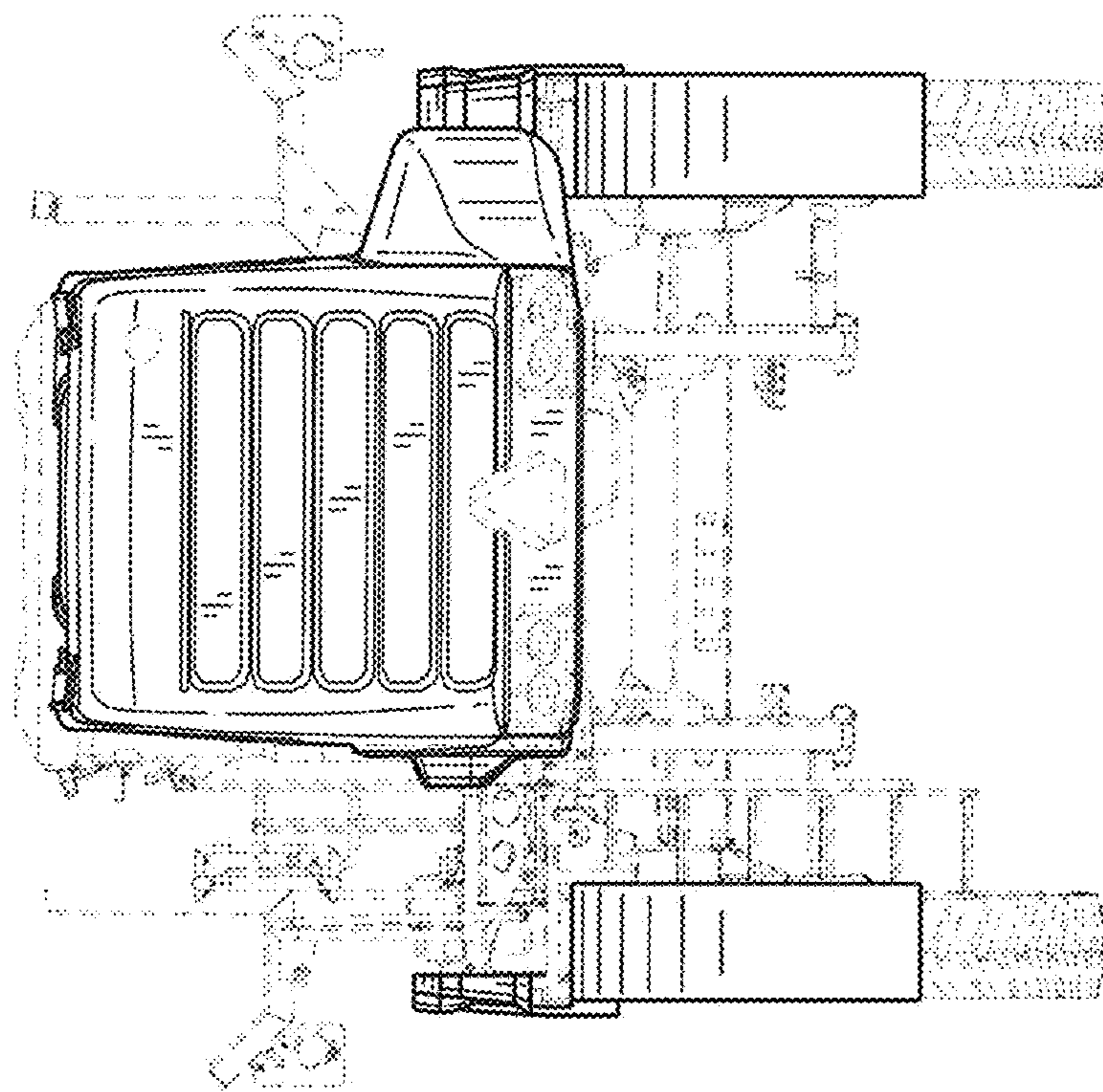


FIG. 2

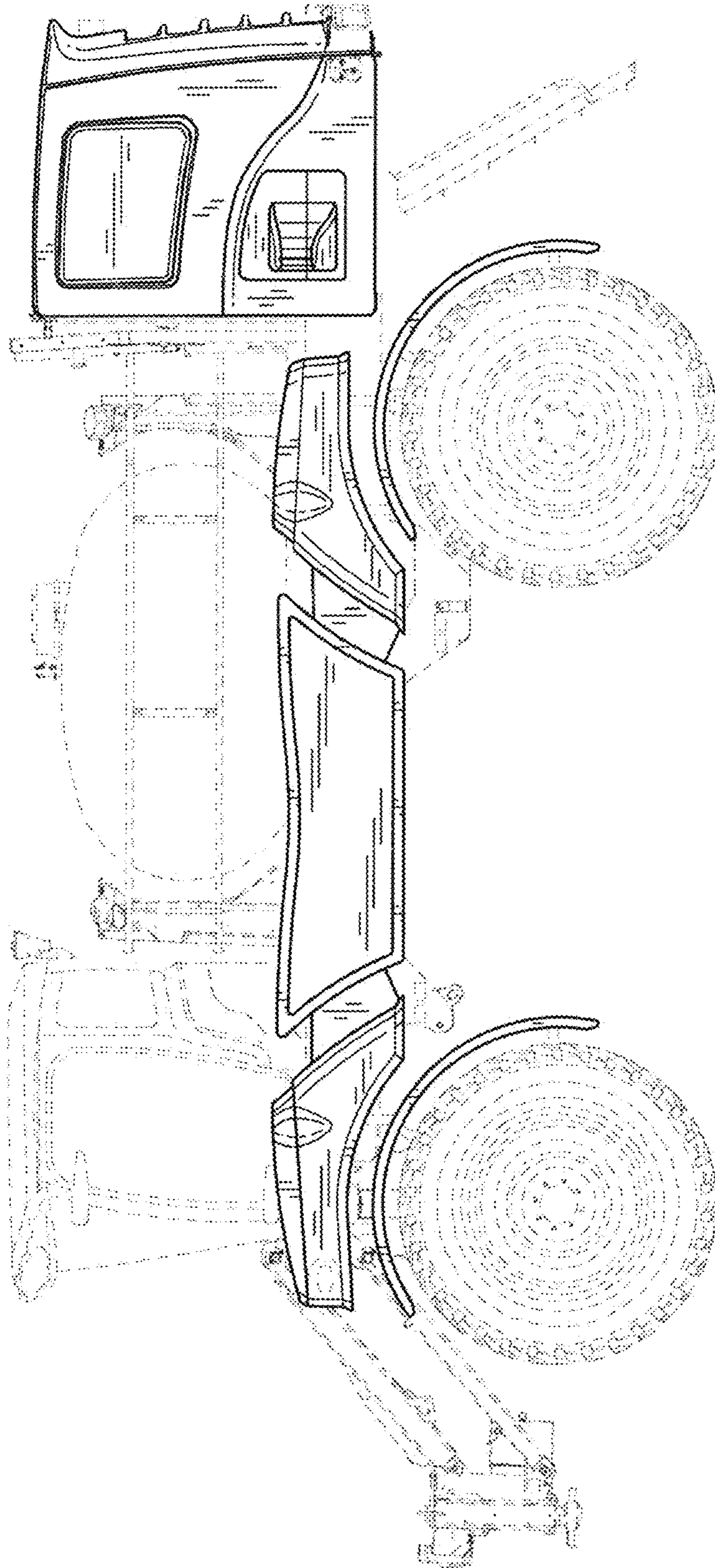


FIG. 3

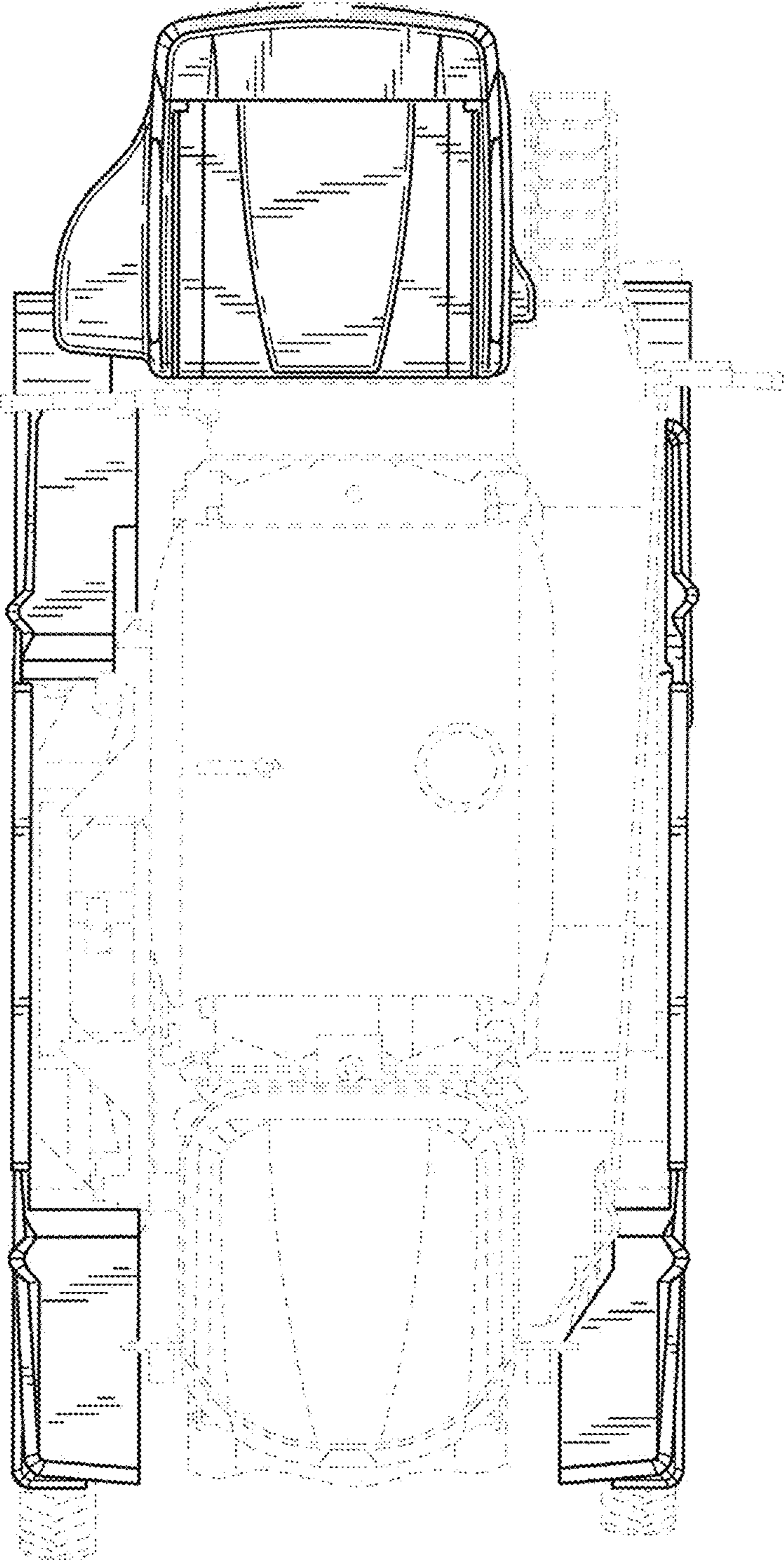


FIG. 4

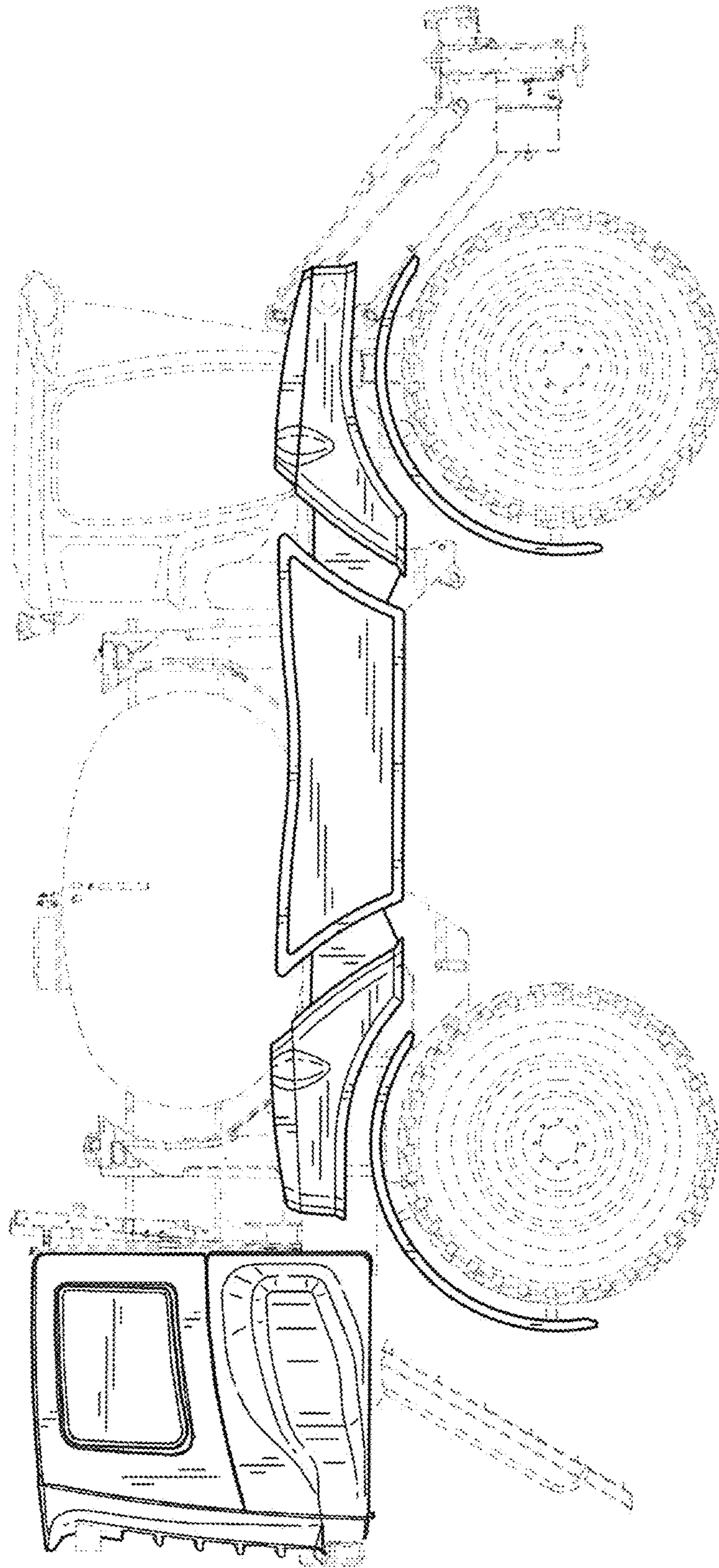


FIG. 5

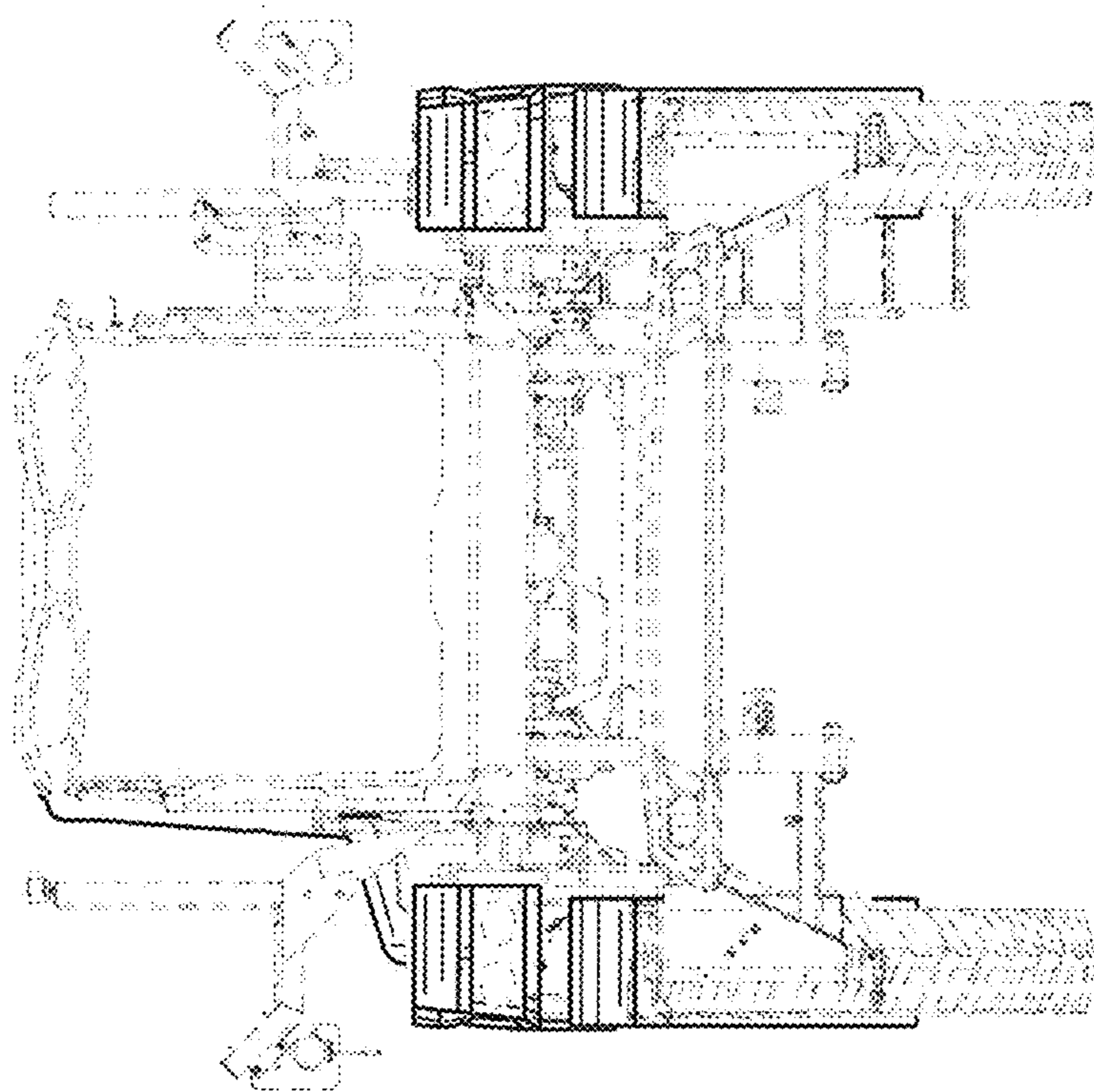


FIG. 6