

US00D765737S

(12) **United States Design Patent** (10) **Patent No.:** **US D765,737 S**
Gross (45) **Date of Patent:** **** Sep. 6, 2016**

(54) **WINDOW GUARD FOR TRACTORS**

(71) Applicant: **K&W Family Trust**, Ridgedale, MO (US)

(72) Inventor: **Kevin Gross**, Ridgedale, MO (US)

(73) Assignee: **K&W FAMILY TRUST**, Ridgedale, MO (US)

(**) Term: **14 Years**

(21) Appl. No.: **29/523,414**

(22) Filed: **Apr. 9, 2015**

(51) **LOC (10) Cl.** **15-03**

(52) **U.S. Cl.**
USPC **D15/28**; D15/17; D15/30

(58) **Field of Classification Search**
USPC D15/28, 17, 30; D12/183; 160/105, 160/354, 370.2, 371; 180/89.1, 89.12, 900
CPC B60R 2021/0246; B60R 21/02; B60R 21/11
See application file for complete search history.

(56) **References Cited**

U.S. PATENT DOCUMENTS

4,260,320	A *	4/1981	Steiger	B60R 21/02 280/756
D263,303	S *	3/1982	Allshouse	180/69.2
4,940,280	A *	7/1990	Templeton	B60R 21/11 280/756
D335,856	S *	5/1993	Sazama	D12/183
D347,846	S *	6/1994	Derreberry	D15/28
D365,351	S *	12/1995	Schroyer	D15/28
D388,385	S *	12/1997	Protz, Sr.	D12/167
D395,319	S *	6/1998	Kortenhorn	D15/31
D401,945	S *	12/1998	Cunningham	D12/163

D402,998	S *	12/1998	Allen	D15/28
D402,999	S *	12/1998	Allen	D15/28
D407,417	S *	3/1999	Miller	D15/28
D425,000	S *	5/2000	Murnane	D12/183
D437,862	S *	2/2001	Shaw	D15/28
D438,878	S *	3/2001	Brandenburg, III	D15/30
D487,240	S *	3/2004	Chapman	D12/183
7,131,686	B1 *	11/2006	Jo	B60R 21/02 280/756
7,252,325	B2 *	8/2007	Richards	B60J 5/0487 180/89.12
D669,504	S *	10/2012	Higashikawa	D15/28
D683,770	S *	6/2013	Corfios	D15/28
9,151,016	B2 *	10/2015	Sasaki	B60R 21/11
2014/0292032	A1 *	10/2014	Sasaki	E02F 9/163 296/190.03

* cited by examiner

Primary Examiner — Mark Goodwin

(74) *Attorney, Agent, or Firm* — Lathrop & Gage LLP

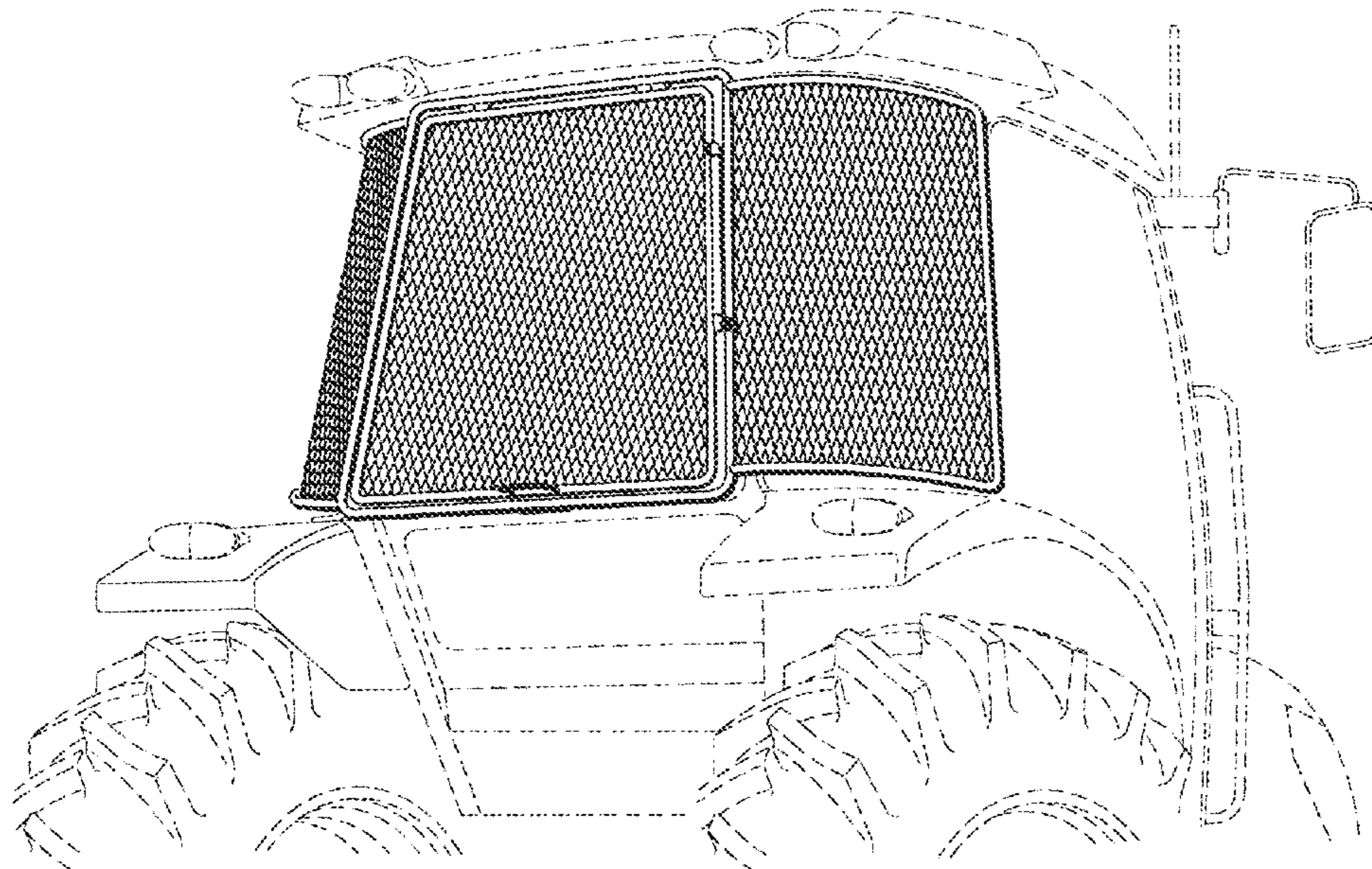
(57) **CLAIM**

An ornamental design for a window guard for tractors, as shown and described.

DESCRIPTION

FIG. 1 is a perspective view of the window guard for tractors, as installed on a tractor, showing the inventive design thereof;
FIG. 2 is another perspective view thereof;
FIG. 3 is a back view thereof;
FIG. 4 is a top view thereof;
FIG. 5 is a bottom view thereof;
FIG. 6 is a first side view thereof;
FIG. 7 is a side view opposite the side view of FIG. 6; and,
FIG. 8 is a front view thereof.

1 Claim, 7 Drawing Sheets



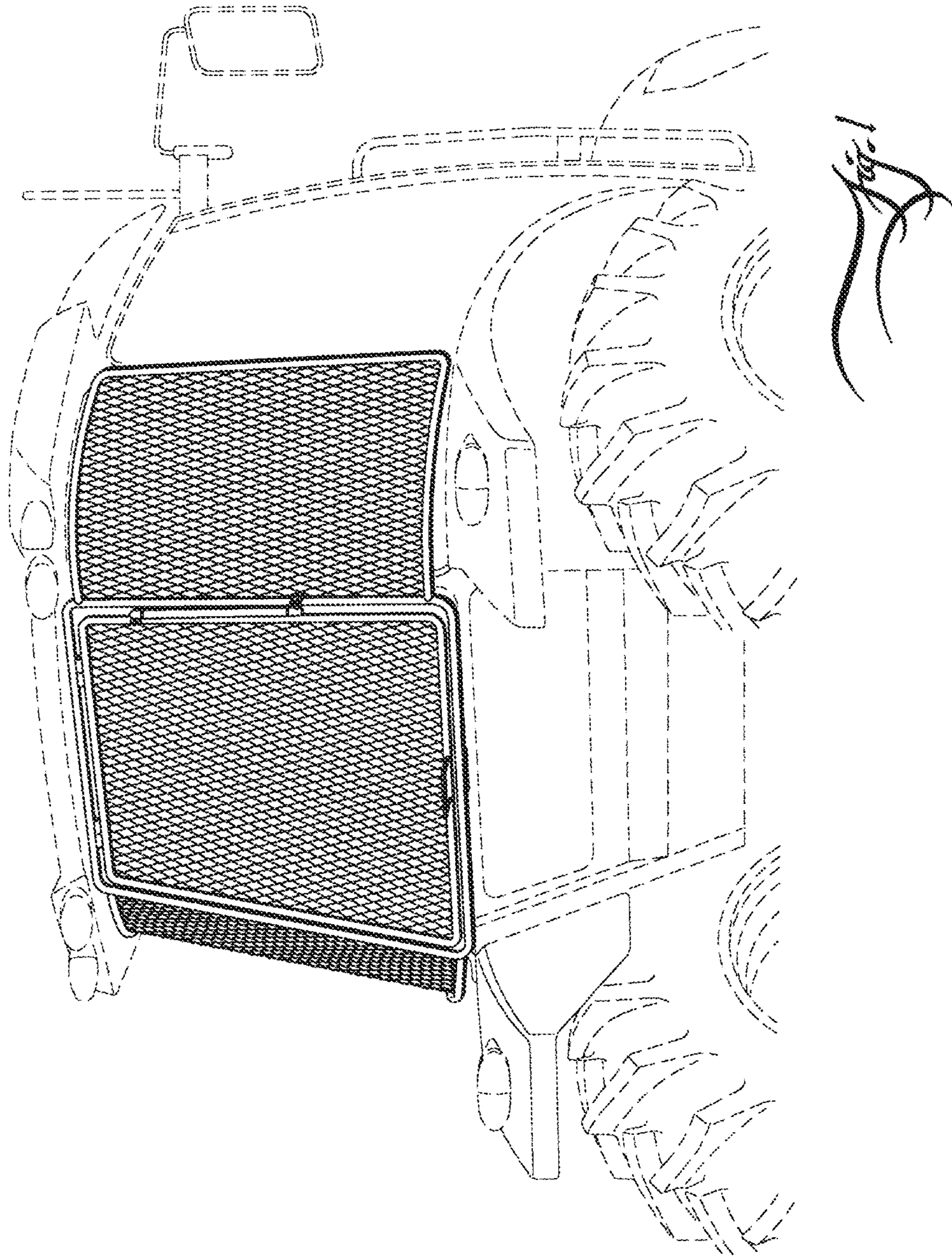
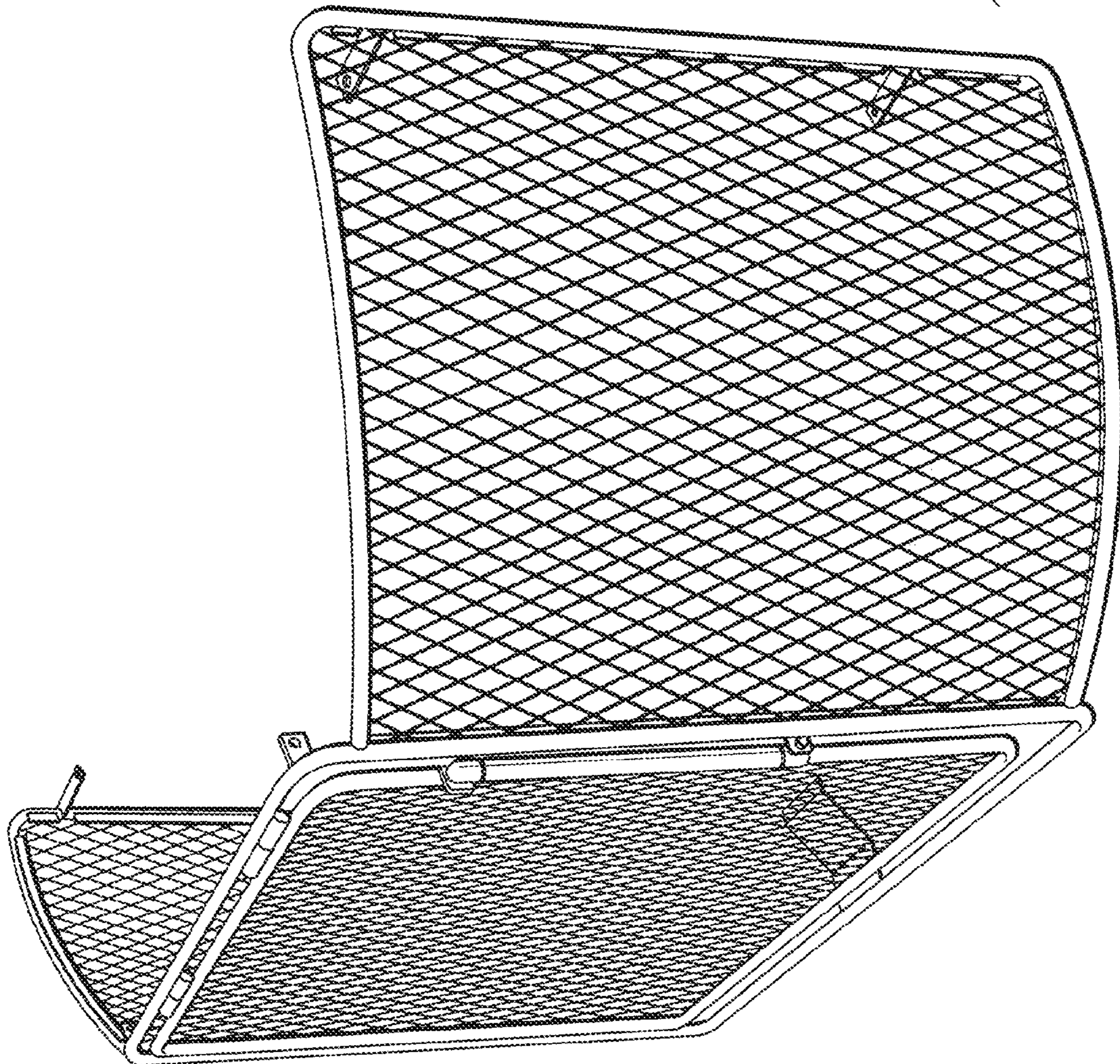


Fig. 2



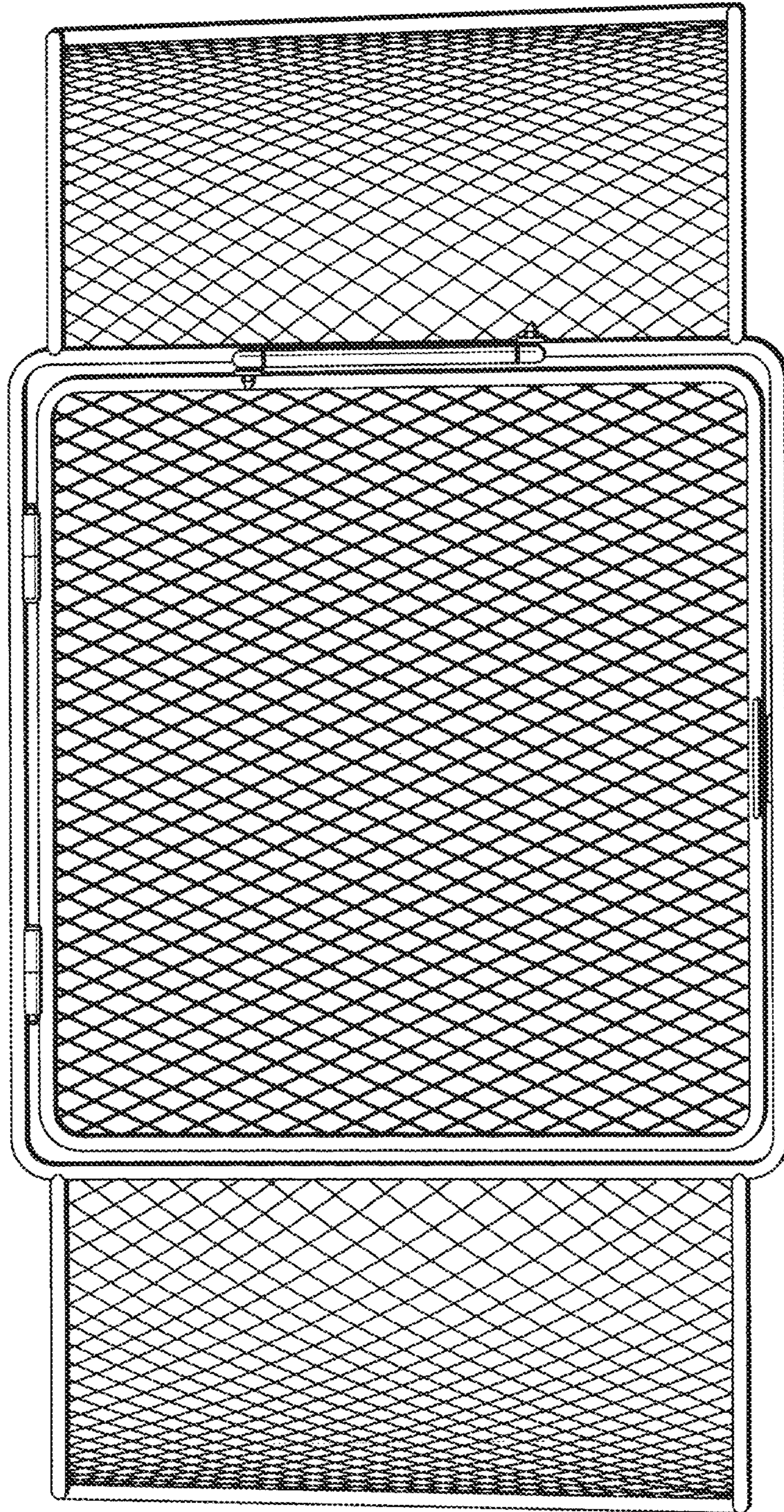
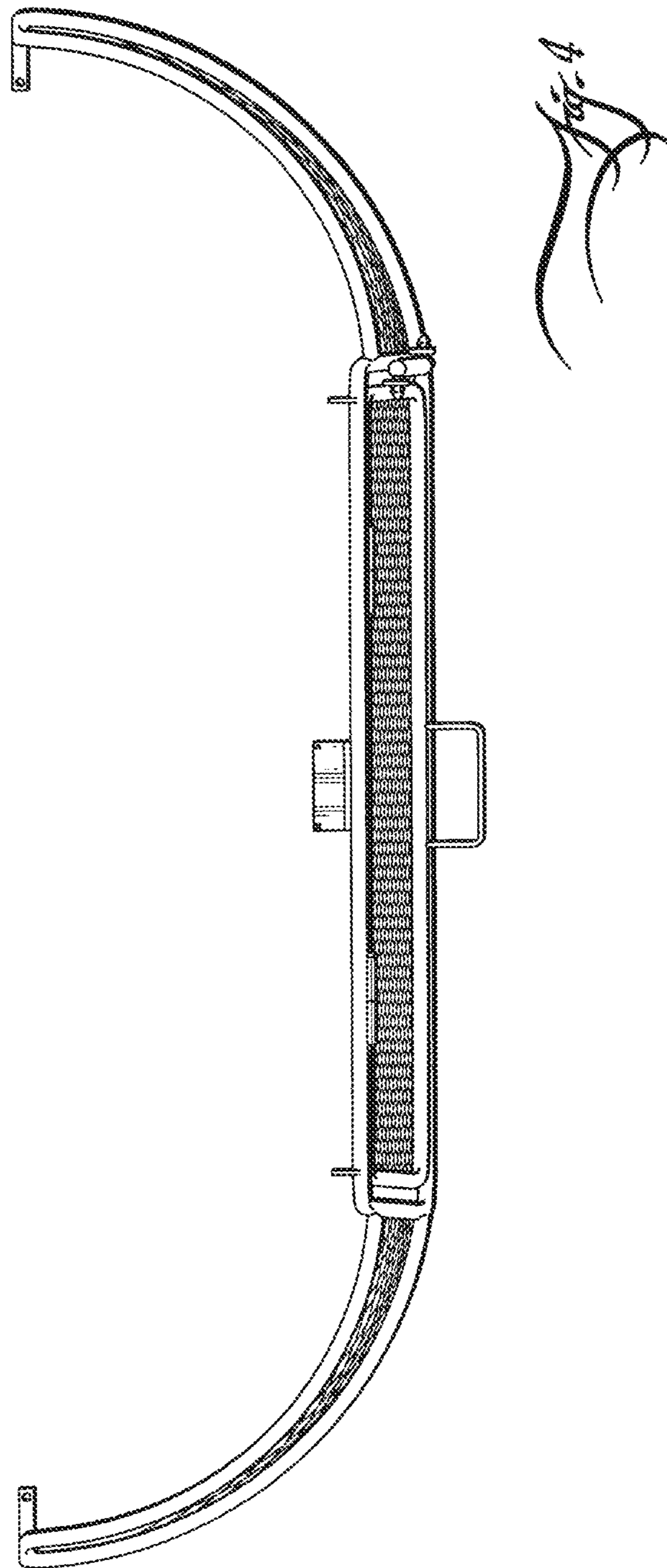


Fig. 3



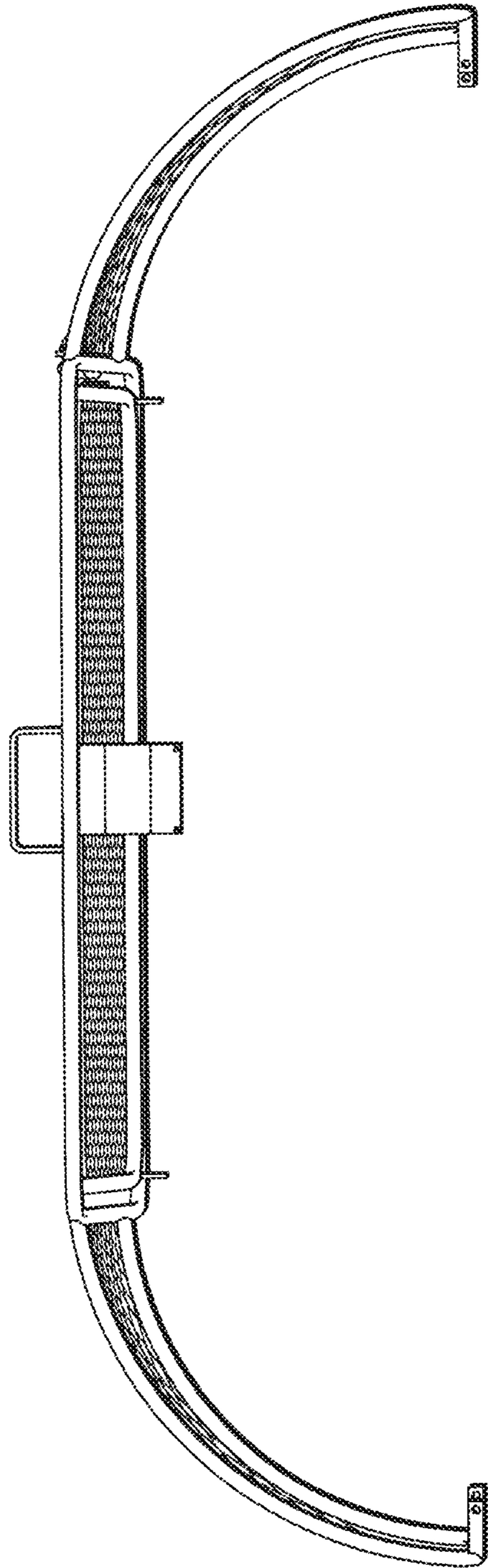
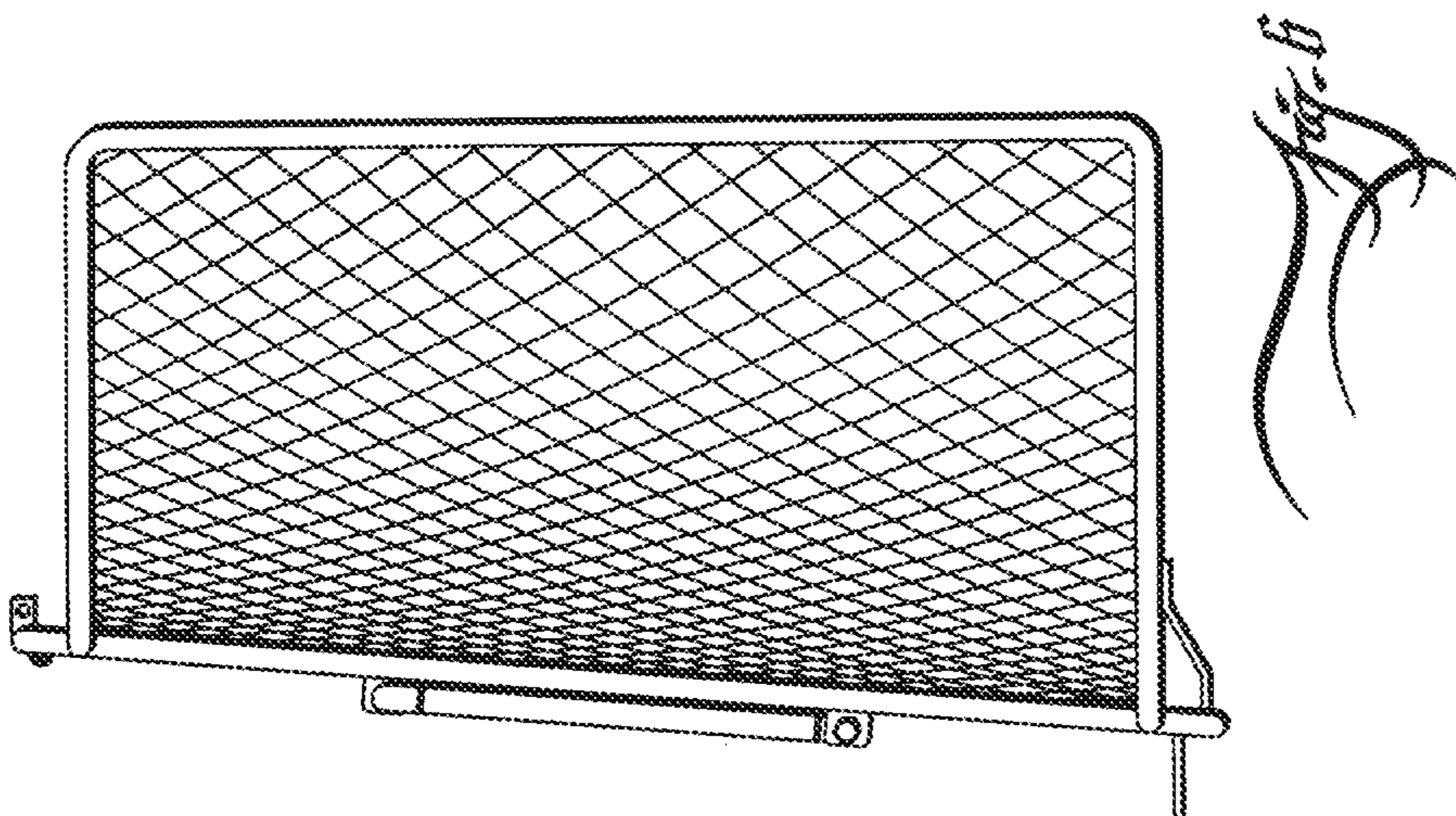
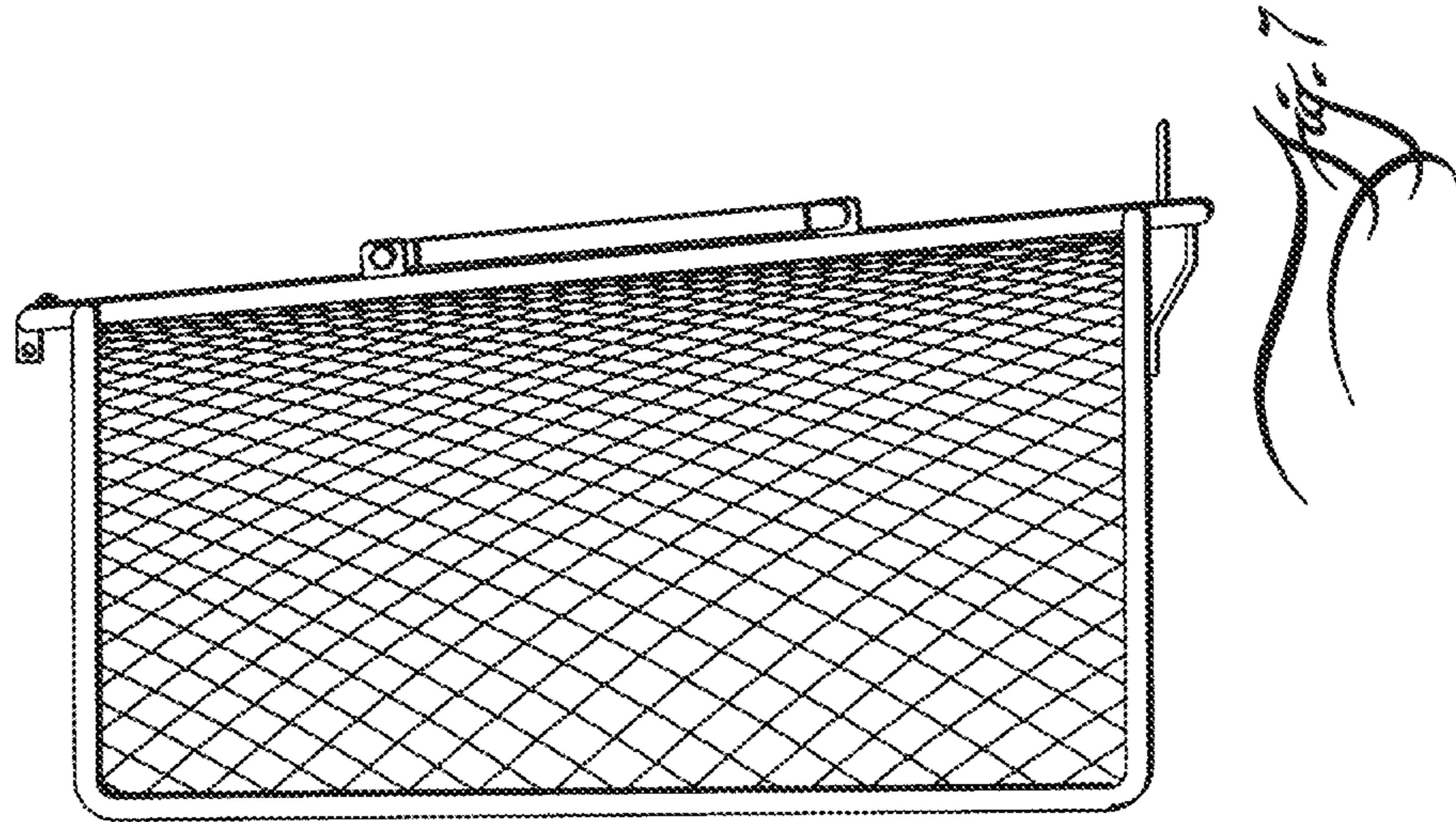


Fig. 5



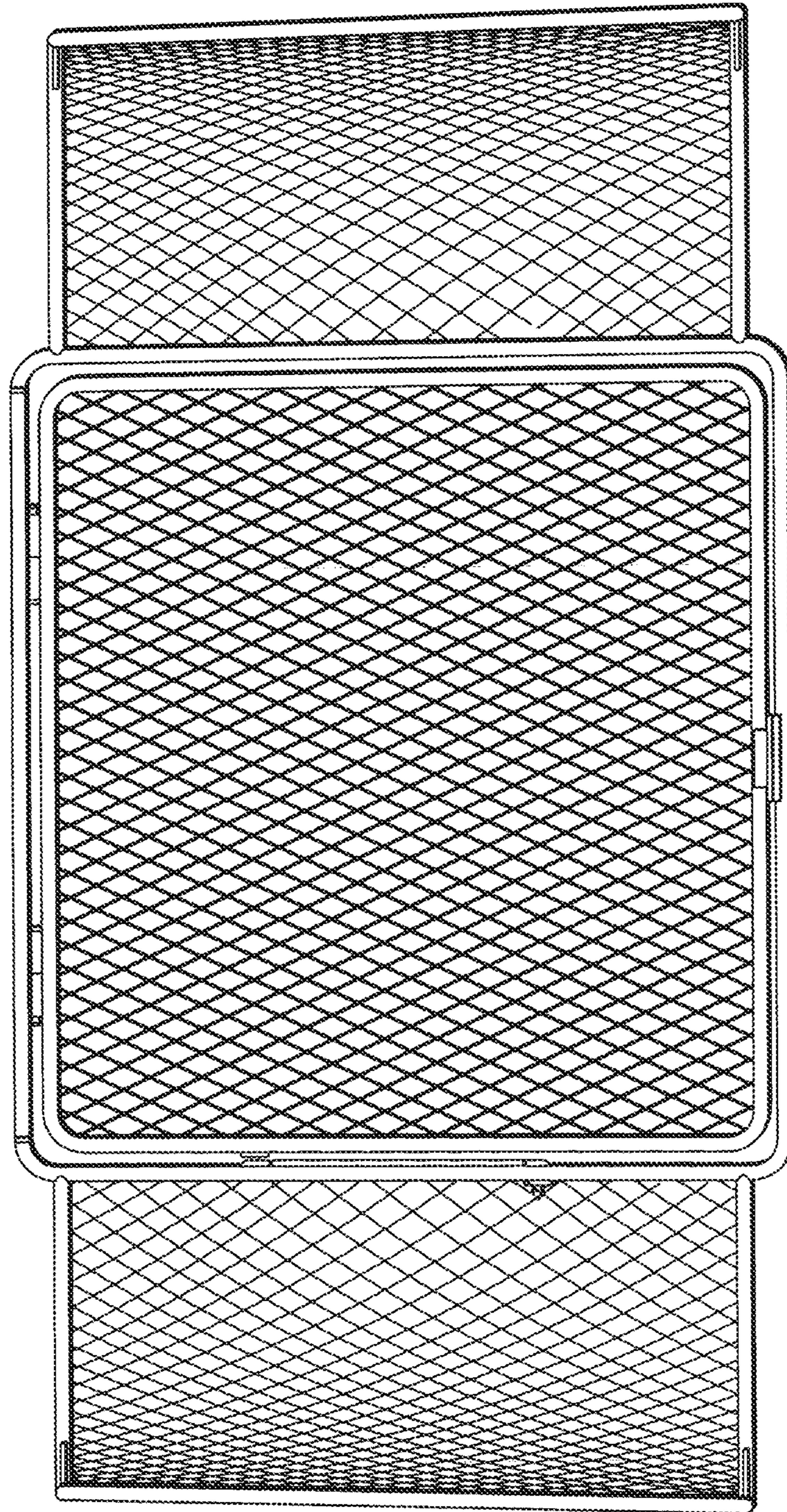


Fig. 8