



US00D765736S

(12) **United States Design Patent**  
**Roemer et al.**

(10) **Patent No.:** **US D765,736 S**  
(45) **Date of Patent:** **\*\* Sep. 6, 2016**

(54) **OPERATOR PANEL FOR A ROAD ROLLER**

(71) Applicant: **HAMM AG**, Tirschenreuth (DE)

(72) Inventors: **Axel Roemer**, Tirschenreuth (DE);  
**Gerhard Mahler**, Tirschenreuth (DE);  
**Ulrich Ewringmann**, Taufkirchen (DE);  
**Boris Eickhoff**, Taufkirchen (DE);  
**Julius Renz**, Taufkirchen (DE)

(73) Assignee: **HAMM AG**, Tirschenreuth (DE)

(\*\*) Term: **14 Years**

(21) Appl. No.: **29/521,396**

(22) Filed: **Mar. 23, 2015**

(30) **Foreign Application Priority Data**

Sep. 24, 2014 (EM) ..... 001421473-0013

(51) **LOC (10) Cl.** ..... **15-03**

(52) **U.S. Cl.**  
USPC ..... **D15/28**

(58) **Field of Classification Search**  
USPC ..... D15/28; D13/162, 164, 168; D14/214,  
D14/396, 400; D34/34, 35; 180/315, 316,  
180/19.1, 19.3, 90; 361/679, 680, 690;  
700/90; 280/43.12, 752; 296/70;  
318/700, 701  
CPC ..... B62D 33/06; B60K 26/00; B60K 37/00  
See application file for complete search history.

(56) **References Cited**

**U.S. PATENT DOCUMENTS**

D529,052 S \* 9/2006 Dolesh ..... D15/28  
D578,272 S \* 10/2008 Kato ..... D15/28  
D640,293 S \* 6/2011 Ono ..... D15/28

D659,939 S \* 5/2012 Saitou ..... D15/28  
D689,443 S \* 9/2013 Ewringmann ..... D13/164  
D690,325 S \* 9/2013 Scott ..... D15/28  
D690,326 S \* 9/2013 Scott ..... D15/28  
D697,534 S \* 1/2014 Uchida ..... D15/17  
D737,336 S \* 8/2015 Ewringmann ..... D15/28  
D742,936 S \* 11/2015 Ewringmann ..... D15/28  
D752,658 S \* 3/2016 Ewringmann ..... D15/28

\* cited by examiner

*Primary Examiner* — Mark Goodwin

(74) *Attorney, Agent, or Firm* — Greer, Burns & Crain, Ltd.

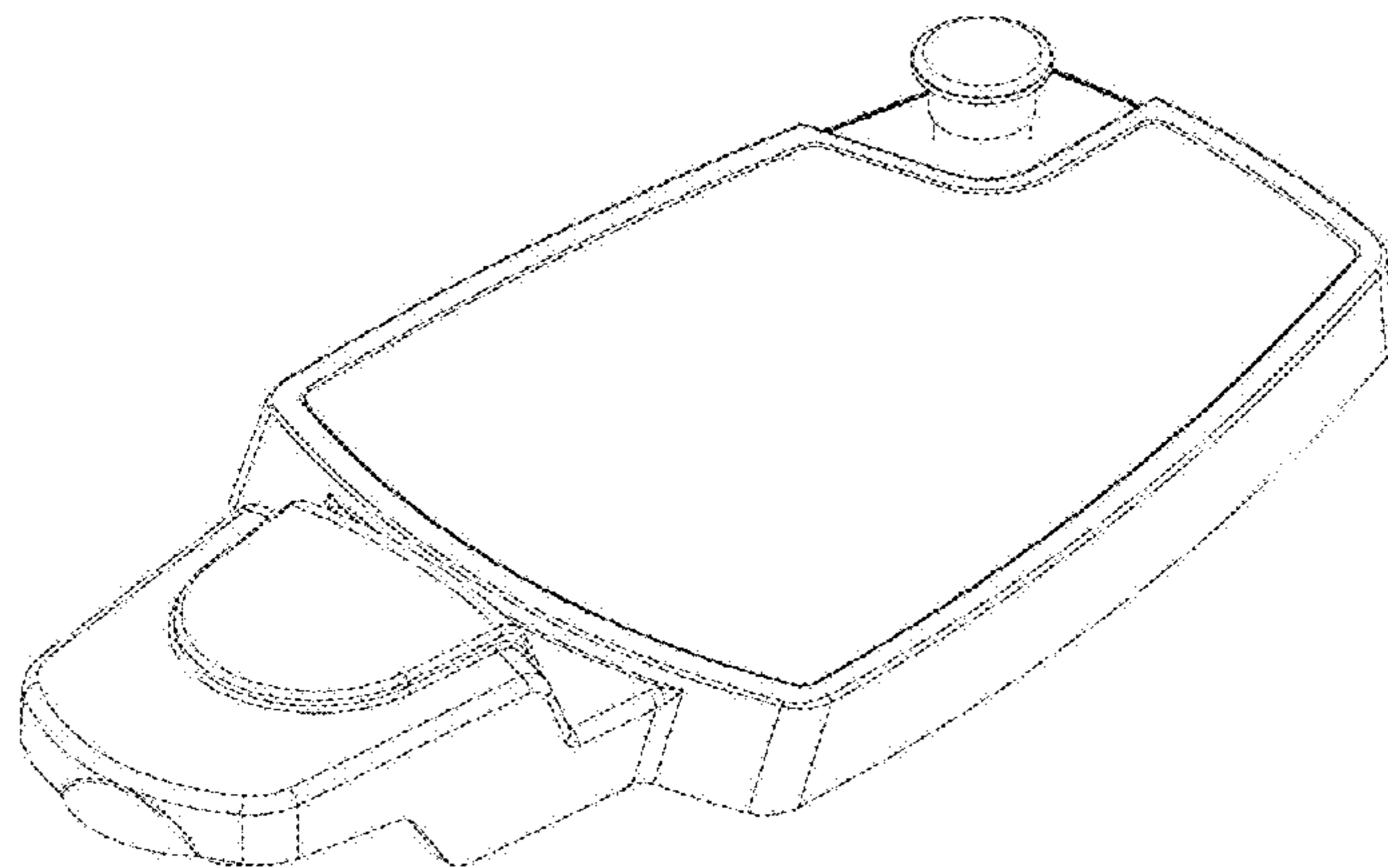
(57) **CLAIM**

The ornamental design for operator panel for a road roller,  
as shown and described.

**DESCRIPTION**

FIG. 1 is a top perspective view of the present operator panel  
for a road roller;  
FIG. 2 is a top perspective view of same taken from another  
angle; top view of same;  
FIG. 3 is a top view of the present operator's panel for a road  
roller;  
FIG. 4 is a front view of same;  
FIG. 5 is a rear view of the operator's panel of FIG. 1; and  
FIG. 6 is a right side view of same; and,  
FIG. 7 is a left side view of same.

**1 Claim, 7 Drawing Sheets**



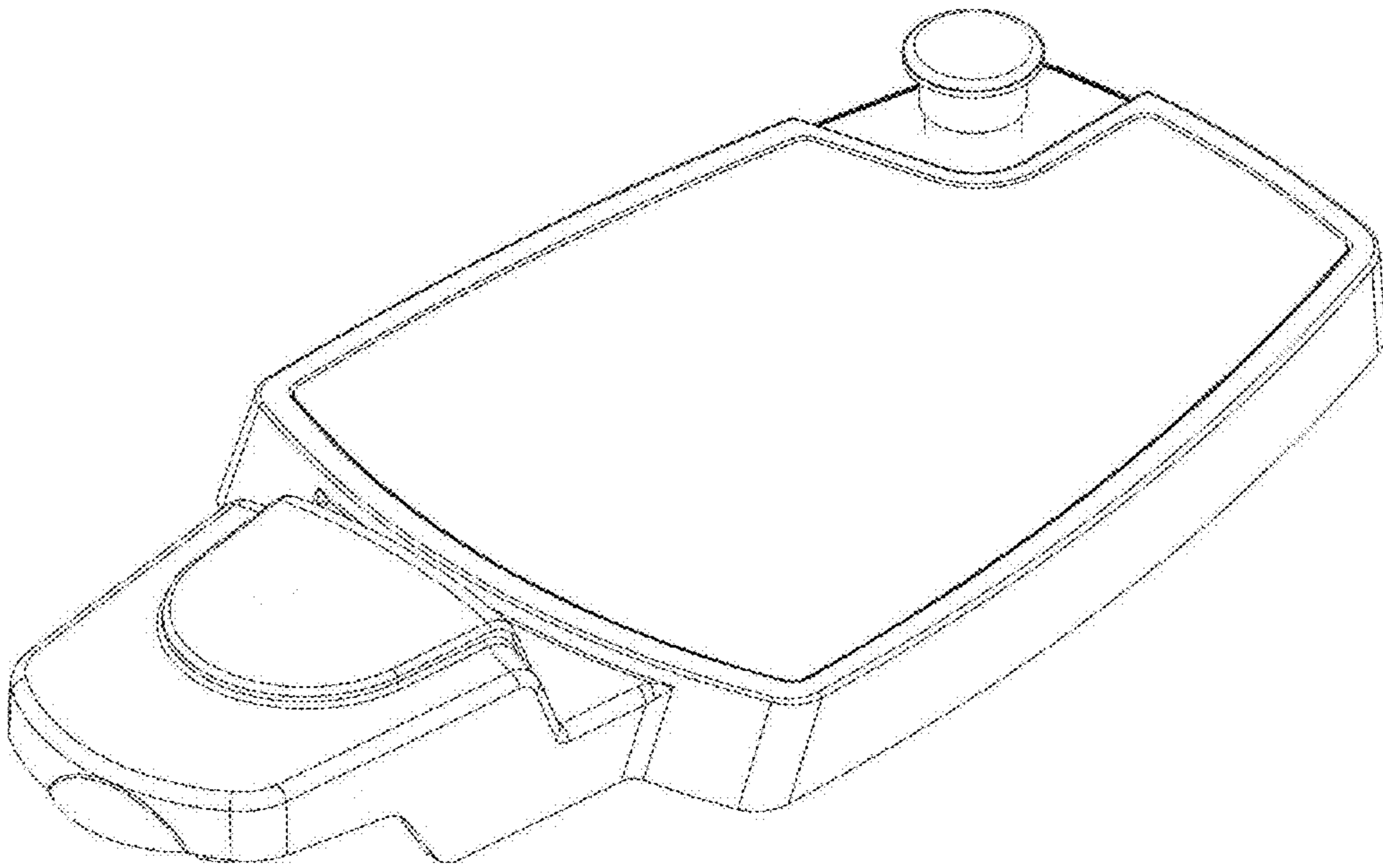


FIG. 1

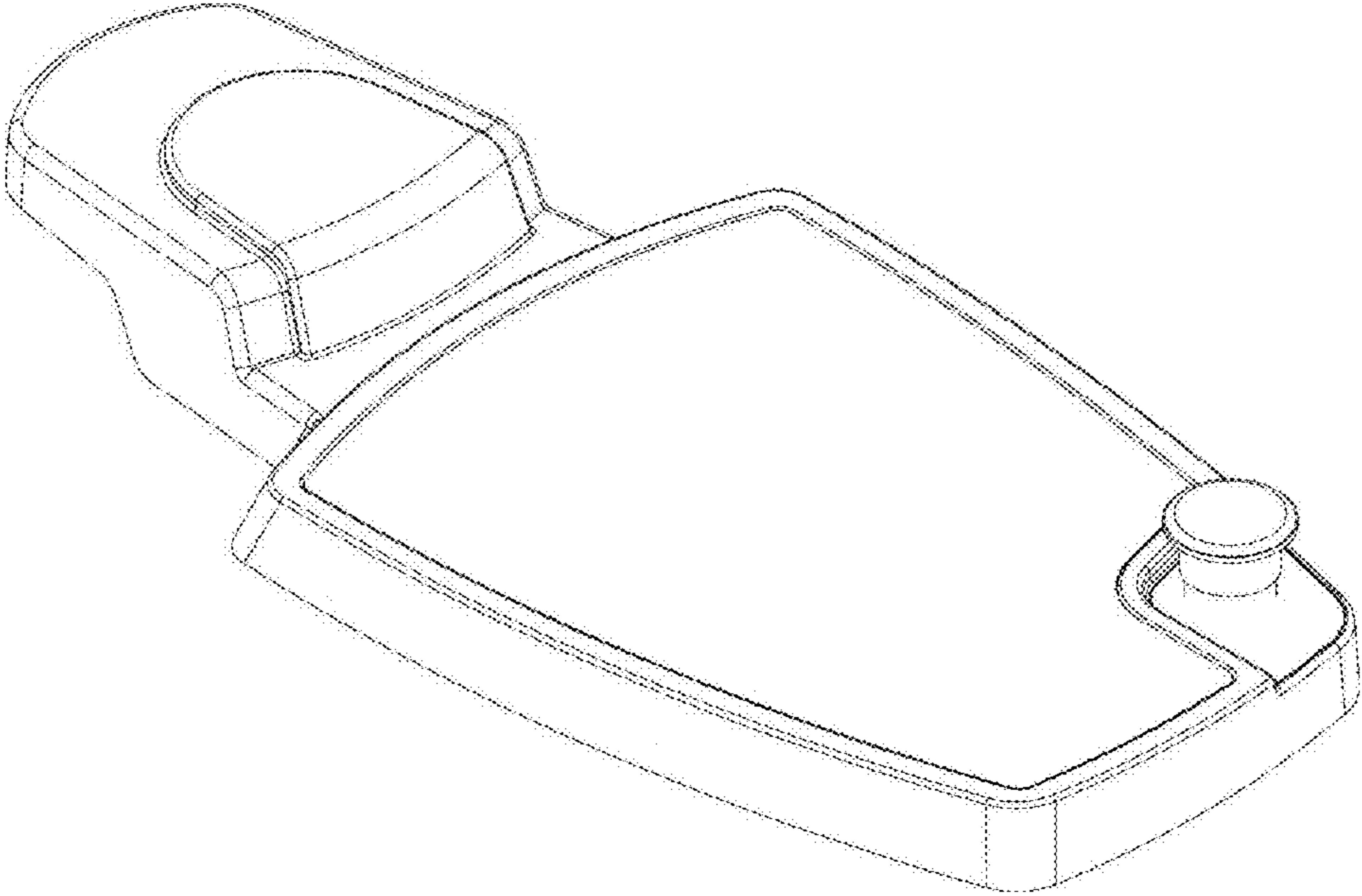


FIG. 2

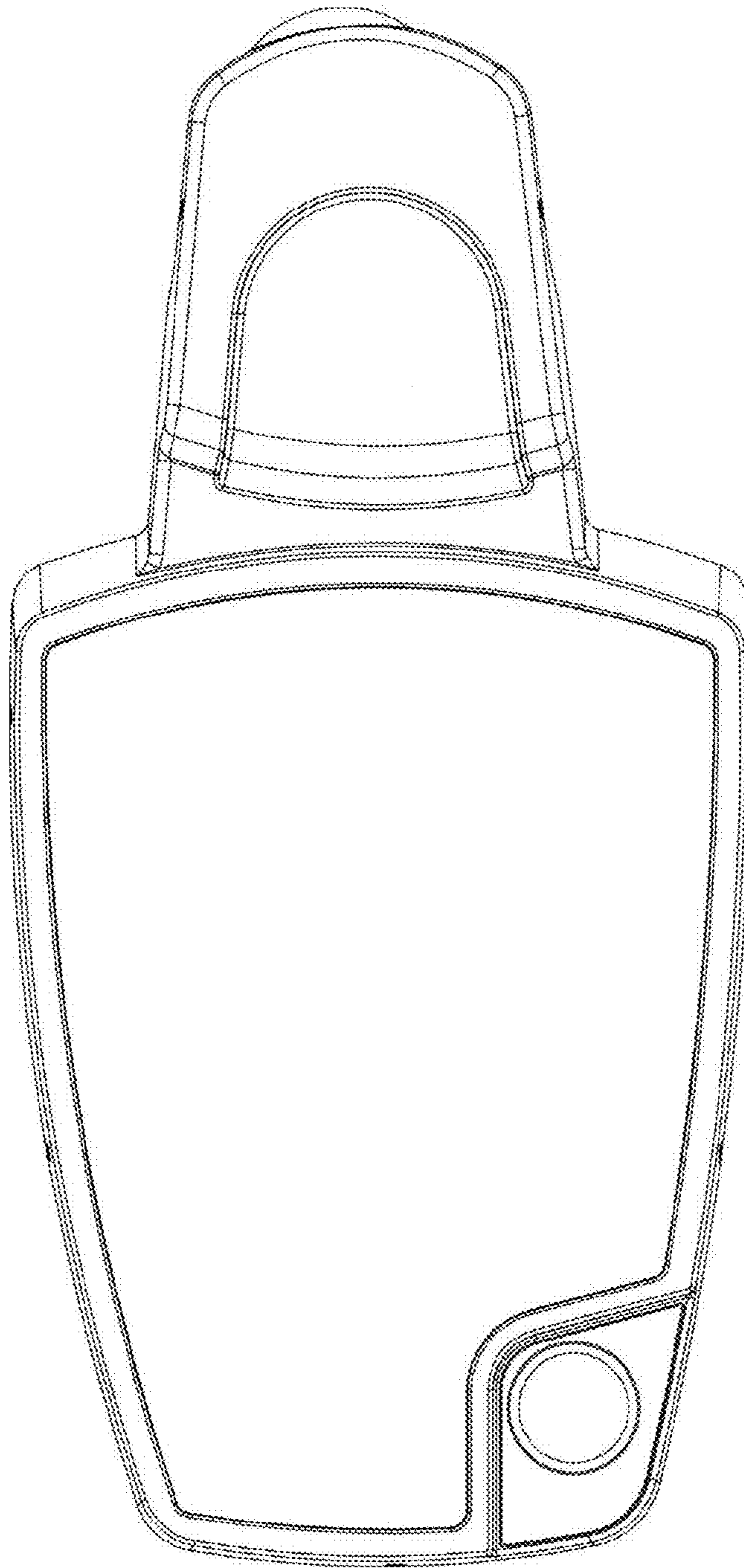


FIG. 3

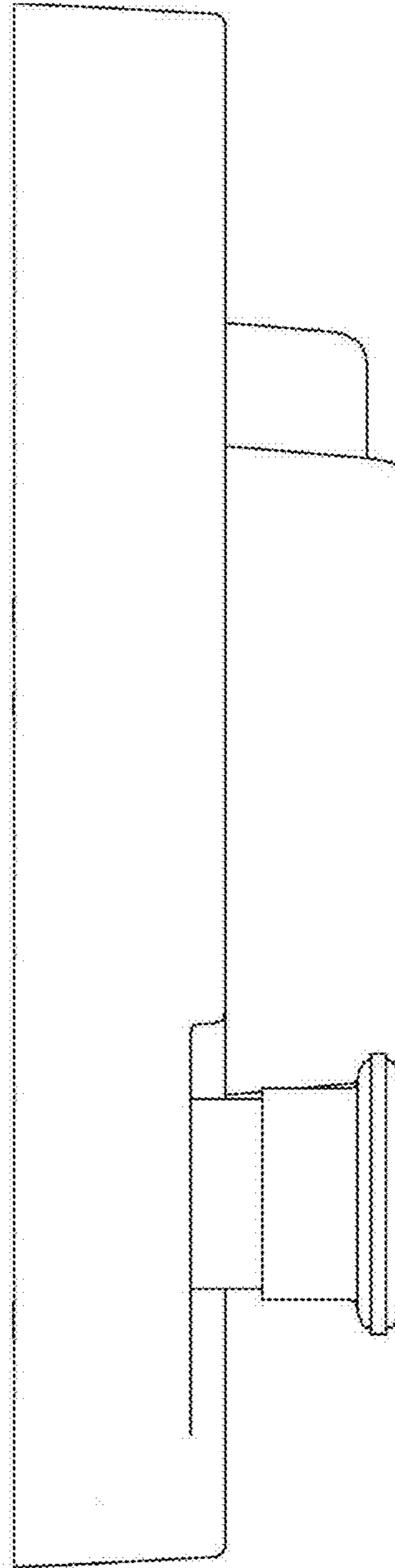


FIG. 4

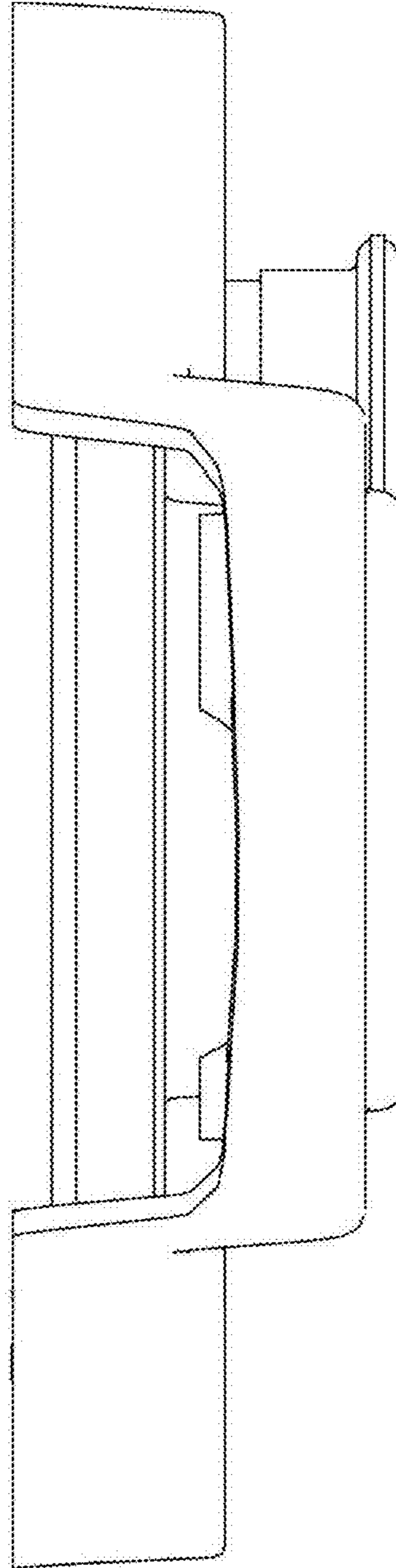


FIG. 5

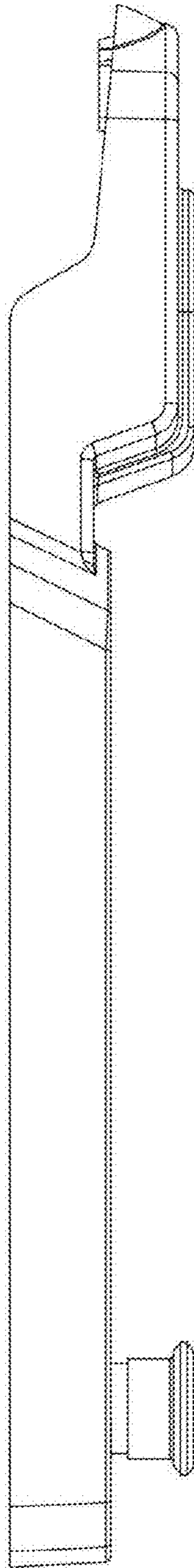


FIG. 6

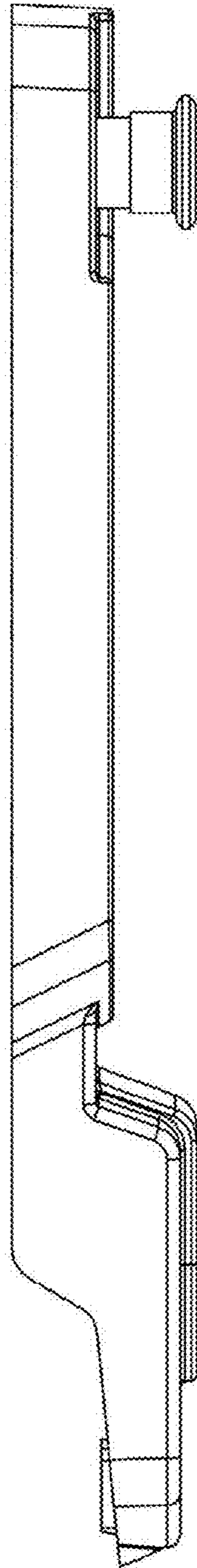


FIG. 7