



US00D765734S

(12) **United States Design Patent**
Xiong et al.

(10) **Patent No.:** **US D765,734 S**
(45) **Date of Patent:** **** Sep. 6, 2016**

(54) **MEDIA PLAYER**
(71) Applicant: **Hifiman Electronics Corporation,**
Newark (DE)
(72) Inventors: **Hao Xiong,** Guangdong (CN); **Yingpeng**
Li, Guangdong (CN)
(73) Assignee: **Hifiman Electronics Corporation,**
Newark, DE (US)
(**) Term: **15 Years**

D521,023 S * 5/2006 Kim D14/203.7
7,046,230 B2 * 5/2006 Zadesky G06F 1/1626
345/156
D537,808 S * 3/2007 Lee D14/203.7
7,203,529 B2 * 4/2007 Kim H04N 1/2112
348/E7.079
7,281,214 B2 * 10/2007 Fadell G06F 3/0238
345/172
D558,834 S * 1/2008 Au Yeung D14/496
D561,198 S * 2/2008 Zhang D14/496
7,647,129 B1 * 1/2010 Griffin, Jr. H04B 1/3822
700/94
D643,401 S * 8/2011 Chen D14/203.3
D653,233 S * 1/2012 Hofer D14/203.3

(21) Appl. No.: **29/531,574**
(22) Filed: **Jun. 26, 2015**
(51) **LOC (10) Cl.** **14-03**
(52) **U.S. Cl.**
USPC **D14/496; D14/203.7**
(58) **Field of Classification Search**
USPC D14/496, 401, 435, 474, 483, 217, 137,
D14/138, 160, 168, 356, 203.1–203.8, 507,
D14/155, 138 R; 345/156, 169, 173–179,
345/905; 715/727–729, 864; 710/1, 5, 8;
713/1, 600; 455/1.1, 1.7, 73, 344–347,
455/93, 95, 3.01–3.06, 550.1, 573.1;
370/342–344; 369/1, 2, 6–12;
463/43–47; 273/148 B
CPC H04J 11/00; H04J 13/00; H04J 14/00
See application file for complete search history.

* cited by examiner

Primary Examiner — Prabhakar Deshmukh
(74) *Attorney, Agent, or Firm* — Baker & Hostetler LLP

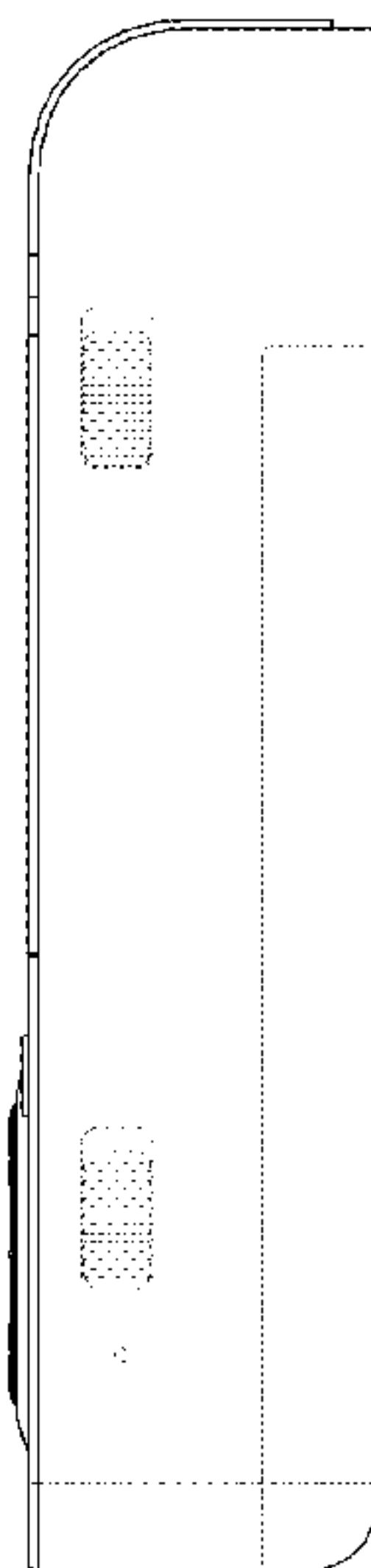
(56) **References Cited**
U.S. PATENT DOCUMENTS
6,593,914 B1 * 7/2003 Nuovo G06F 1/1626
341/22
D504,442 S * 4/2005 Kim D14/203.7

(57) **CLAIM**
We claim the ornamental design for a media player, as shown
and described.

DESCRIPTION

FIG. 1 is a front perspective view of a media player;
FIG. 2 is a front view thereof;
FIG. 3 is a rear view thereof;
FIG. 4 is a top view thereof;
FIG. 5 is a bottom view thereof;
FIG. 6 is a left side view thereof; and,
FIG. 7 is a right side view thereof.
The broken lines in the figures show portions of the media
player that form no part of the claimed design.

1 Claim, 4 Drawing Sheets



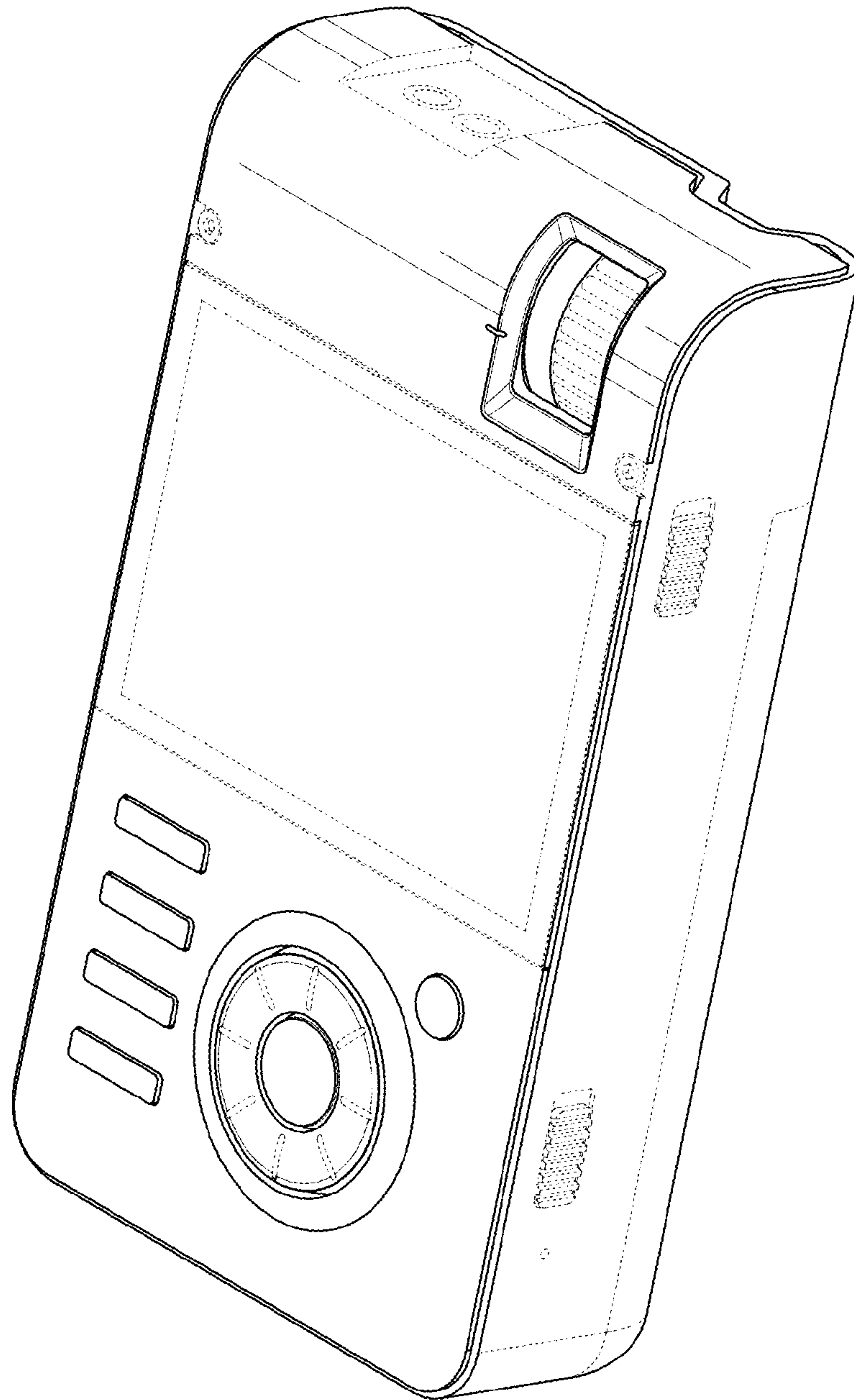


FIG. 1

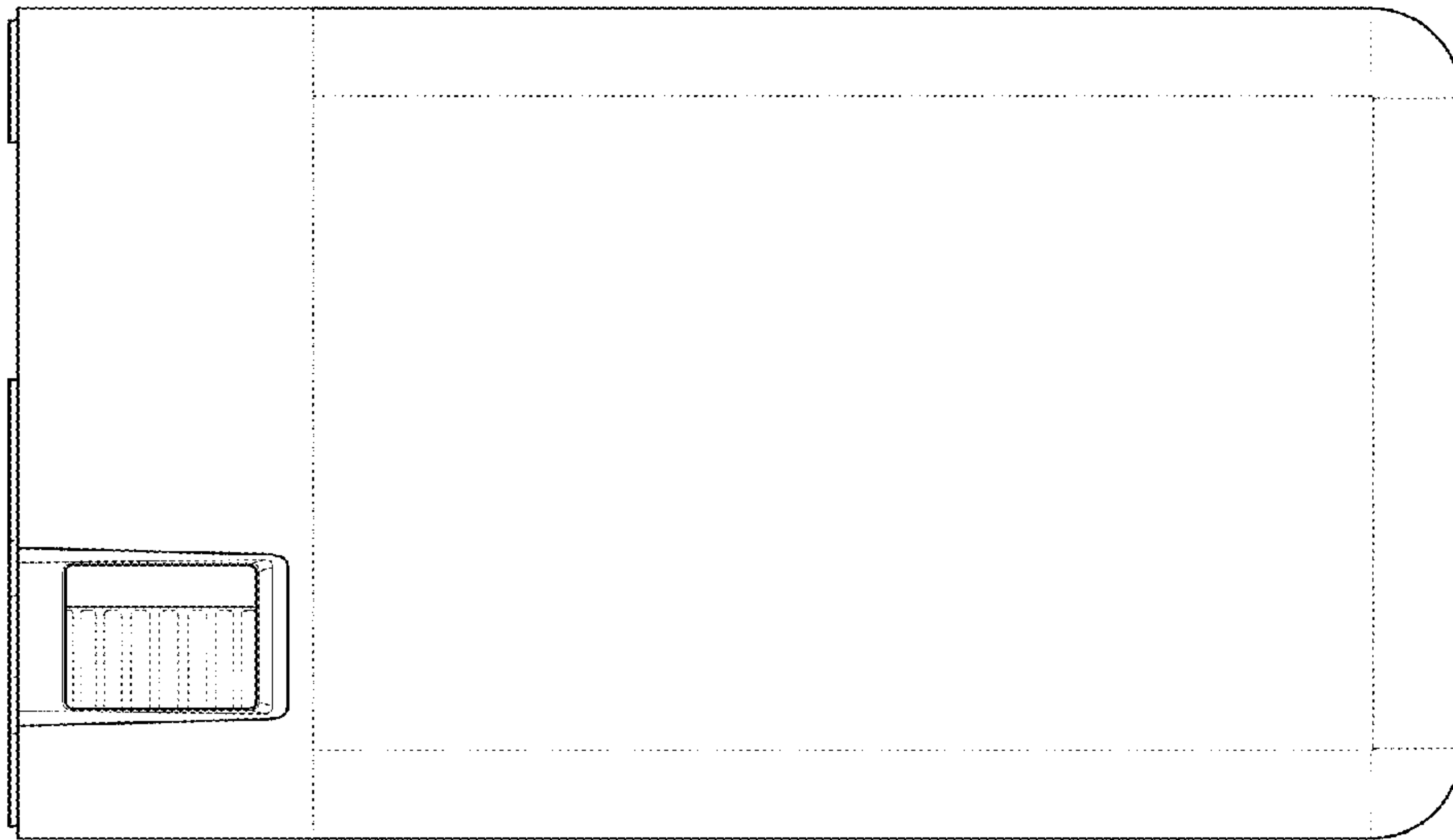


FIG. 3

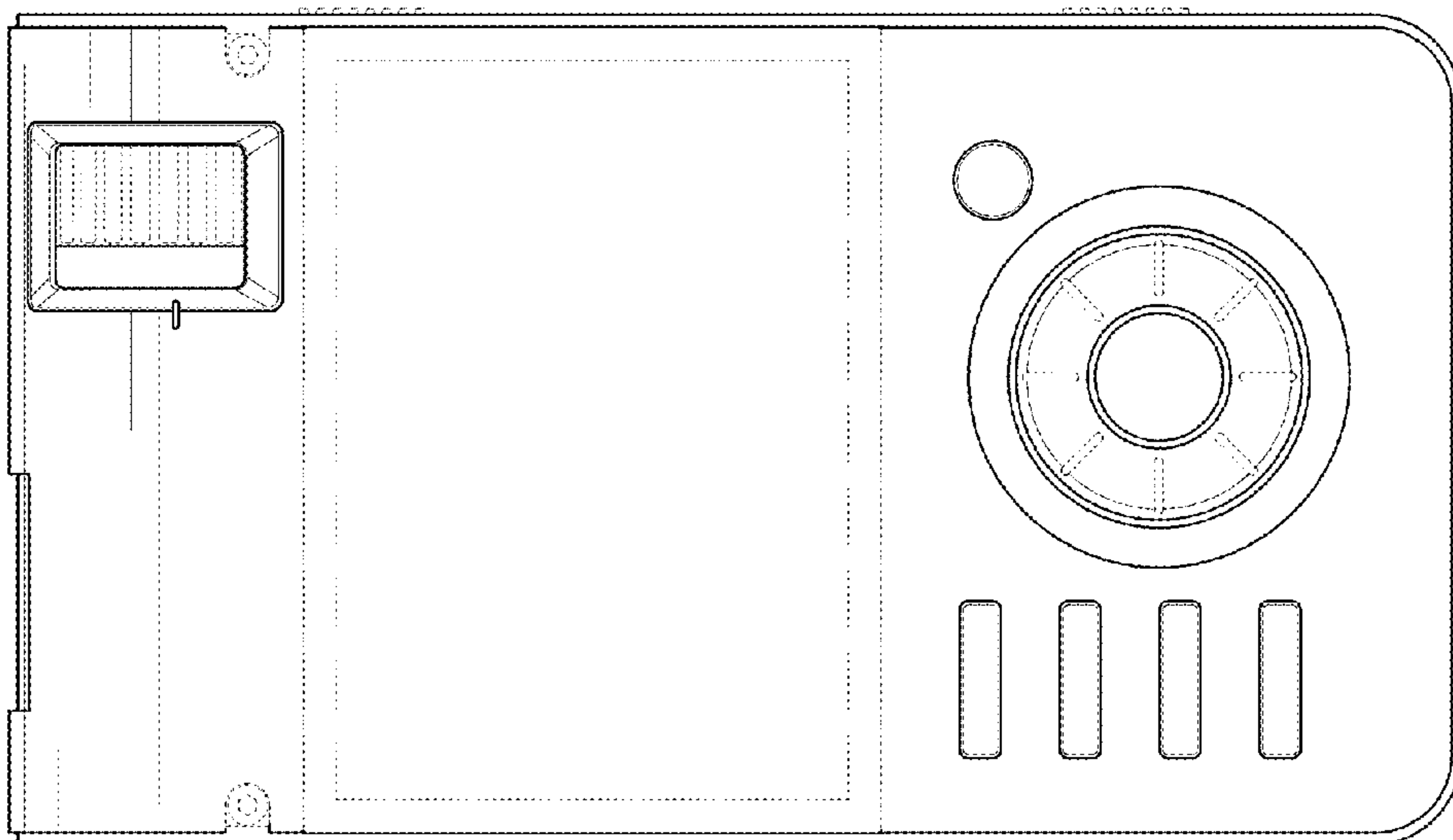


FIG. 2

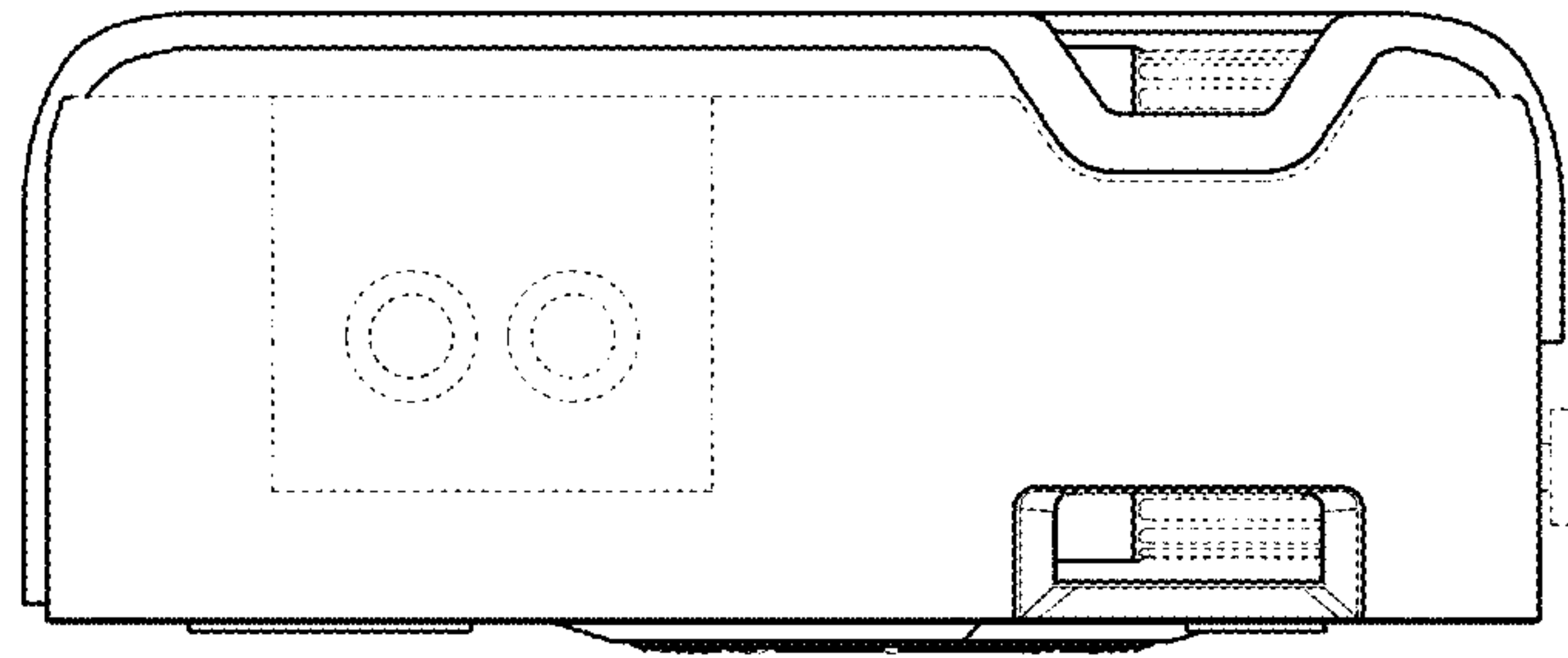


FIG. 4

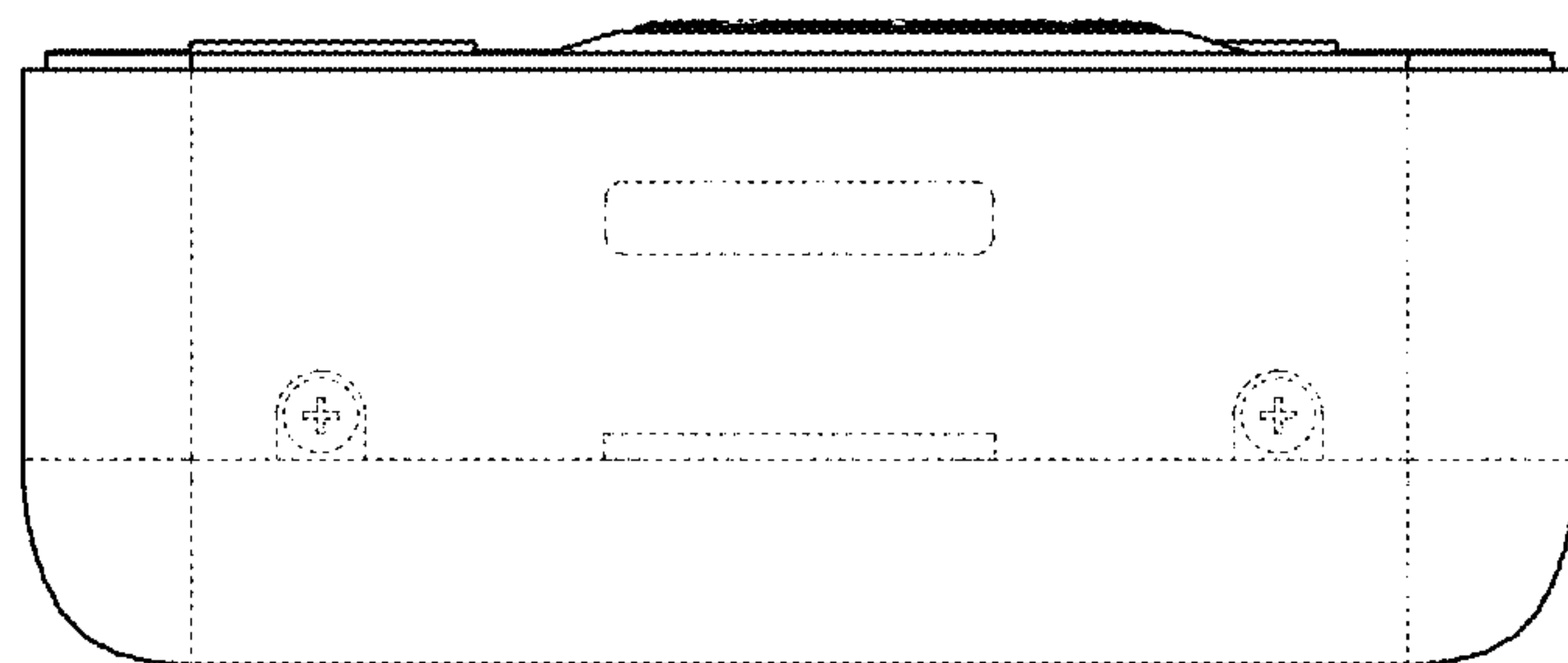


FIG. 5

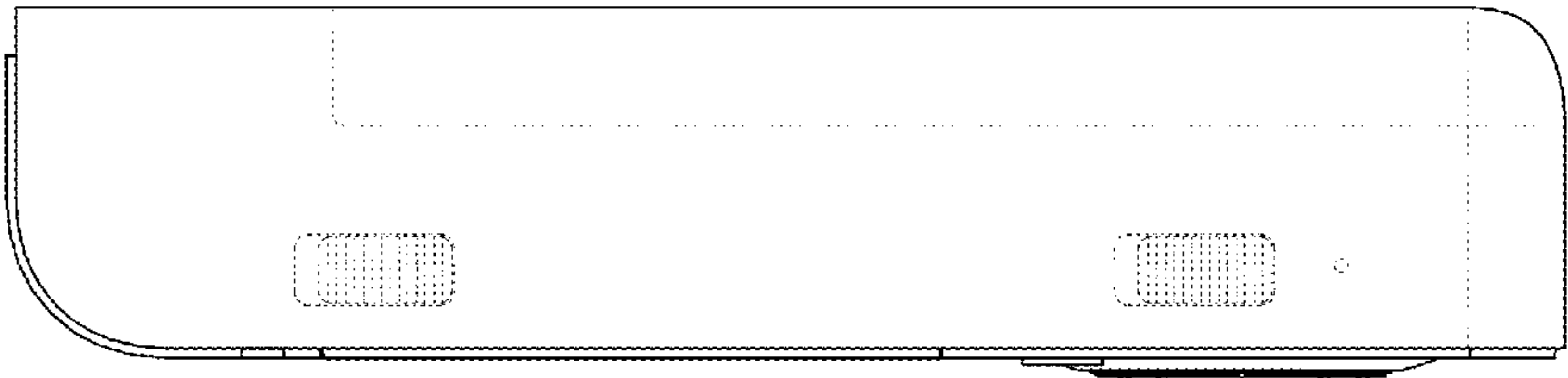


FIG. 7

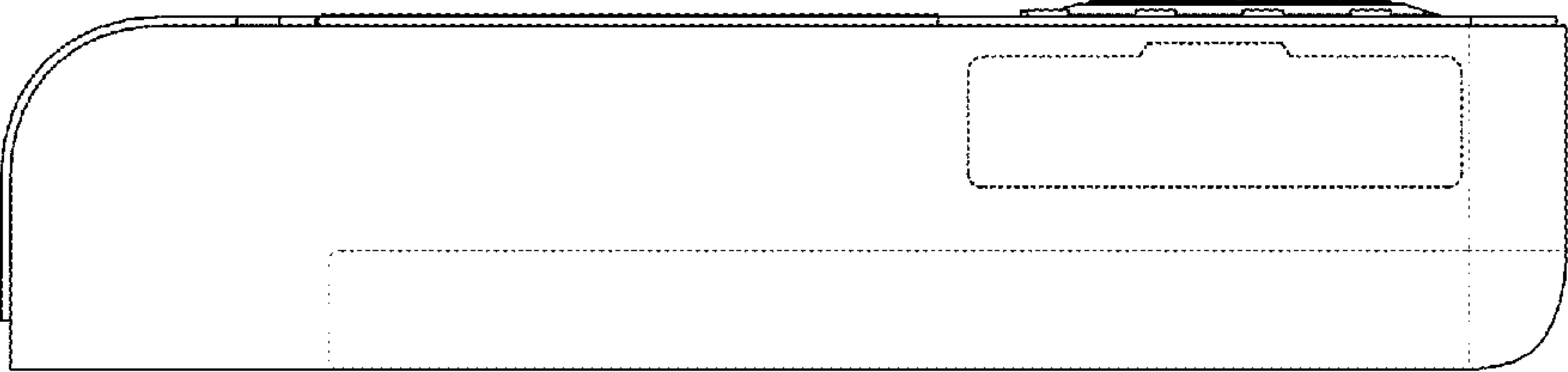


FIG. 6