

US00D765722S

(12) **United States Design Patent** (10) **Patent No.:** **US D765,722 S**  
**Aoshima** (45) **Date of Patent:** **\*\* Sep. 6, 2016**

(54) **DIGITAL CAMERA DISPLAY SCREEN WITH A GRAPHICAL USER INTERFACE**

(71) Applicant: **FUJIFILM Corporation**, Minato-ku, Tokyo (JP)

(72) Inventor: **Yuzo Aoshima**, Minato-ku (JP)

(73) Assignee: **FUJIFILM Corporation**, Tokyo (JP)

(\*\*) Term: **14 Years**

(21) Appl. No.: **29/469,605**

(22) Filed: **Oct. 11, 2013**

(30) **Foreign Application Priority Data**

May 28, 2013 (JP) ..... 2013-011693  
May 28, 2013 (JP) ..... 2013-011694  
May 28, 2013 (JP) ..... 2013-011695

(51) **LOC (10) Cl.** ..... **14-04**

(52) **U.S. Cl.**  
USPC ..... **D14/489**

(58) **Field of Classification Search**  
USPC ..... D14/485-495; D18/26, 31, 32, 33;  
D20/11, 12, 23, 24, 25, 29, 30, 31, 32,  
D20/36, 37, 38; 715/702, 764, 838  
CPC .... G06F 3/048; G06F 3/0481; G06F 3/0482;  
G06F 3/04817; G06F 3/04812  
See application file for complete search history.

(56) **References Cited**

**U.S. PATENT DOCUMENTS**

D316,875 S \* 5/1991 Momot ..... D20/12  
D399,837 S \* 10/1998 Garguilo ..... D14/486

D402,645 S \* 12/1998 Garguilo ..... D14/492  
D437,859 S \* 2/2001 Alvarez ..... D14/489  
D529,510 S \* 10/2006 Cummins ..... D14/489  
D533,872 S \* 12/2006 Ligameri ..... D14/492  
D626,132 S \* 10/2010 McLaughlin ..... D14/485  
D701,534 S \* 3/2014 Jang ..... D14/492  
D709,096 S \* 7/2014 Matas ..... D14/492  
D722,616 S \* 2/2015 Sonnleitner ..... D14/492  
D741,368 S \* 10/2015 Supino ..... D14/490  
2007/0261002 A1 \* 11/2007 Hu ..... G06F 3/0488  
715/810

\* cited by examiner

*Primary Examiner* — Philip S Hyder

*Assistant Examiner* — Darlington Ly

(74) *Attorney, Agent, or Firm* — Sughrue Mion, PLLC

(57) **CLAIM**

The ornamental design for a digital camera display screen with a graphical user interface, as shown and described.

**DESCRIPTION**

FIG. 1 is a top, front and side perspective view of a digital camera display screen with a graphical user interface showing my new design;

FIG. 2 is an enlarged front elevation view of the display screen with graphical user interface; and,

FIG. 3 is an enlarged front elevation view of the icon from the graphical user interface taken along lines 3-3 of FIG. 2. In FIG. 1, the broken line showing the camera body is for the purpose of illustrating environmental structure. In FIG. 3, the dash-dot broken lines is a graphical indication for the region enlarged from the FIG. 2 drawing. All other broken lines in the drawings illustrate portions of the display screen with a graphical user interface. None of the broken line showing forms part of the claimed design.

**1 Claim, 2 Drawing Sheets**

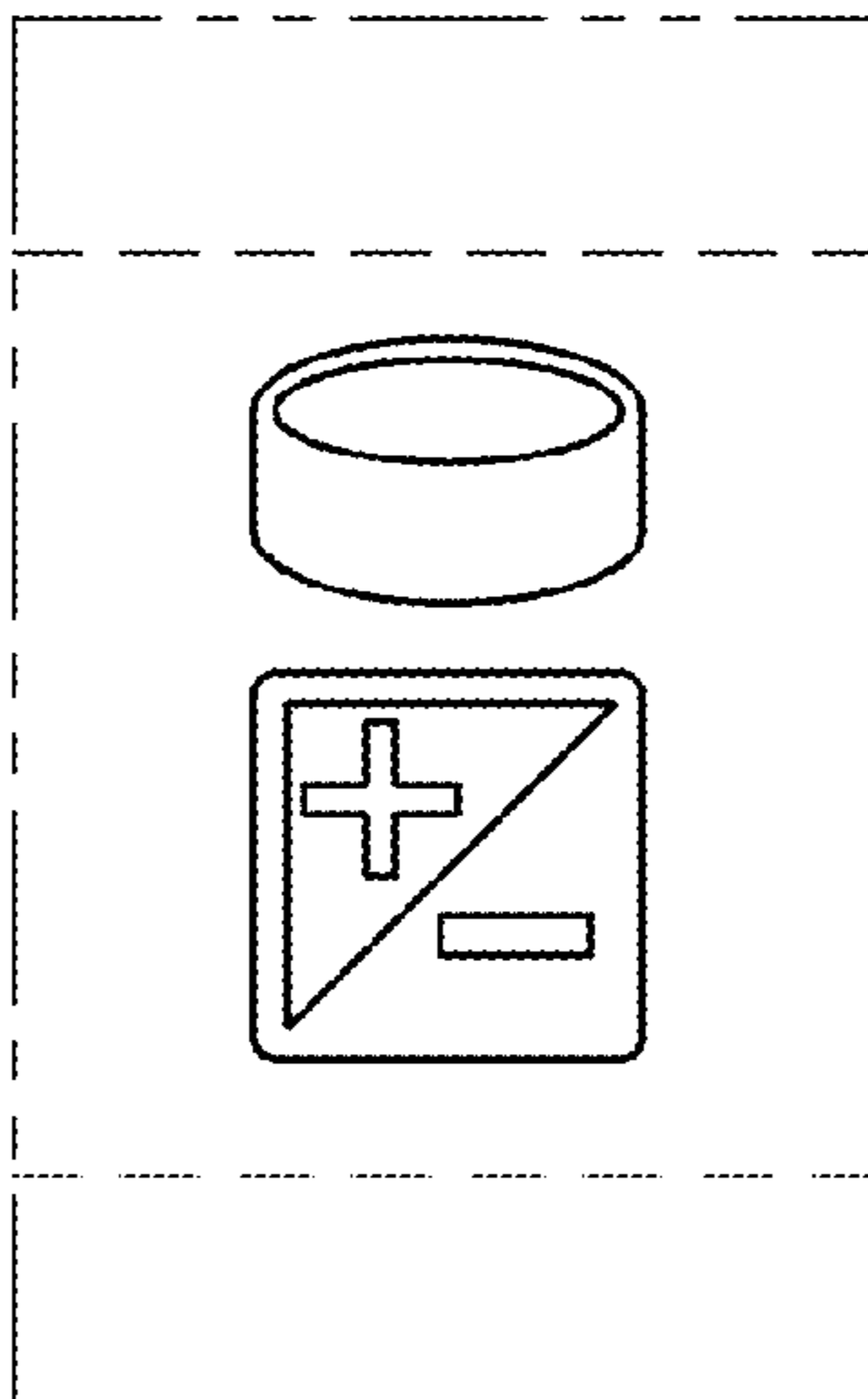


FIG. 1

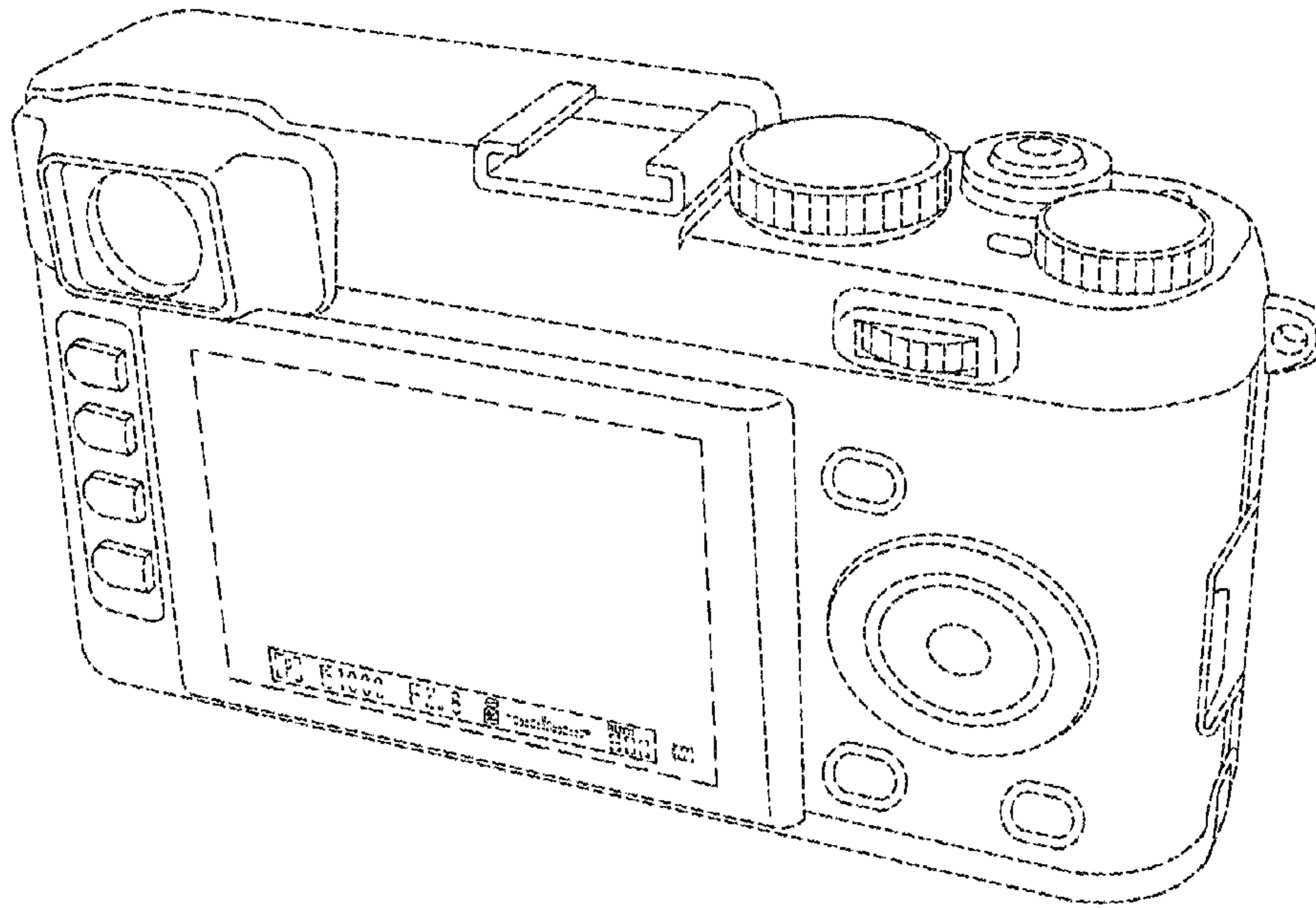


FIG. 2

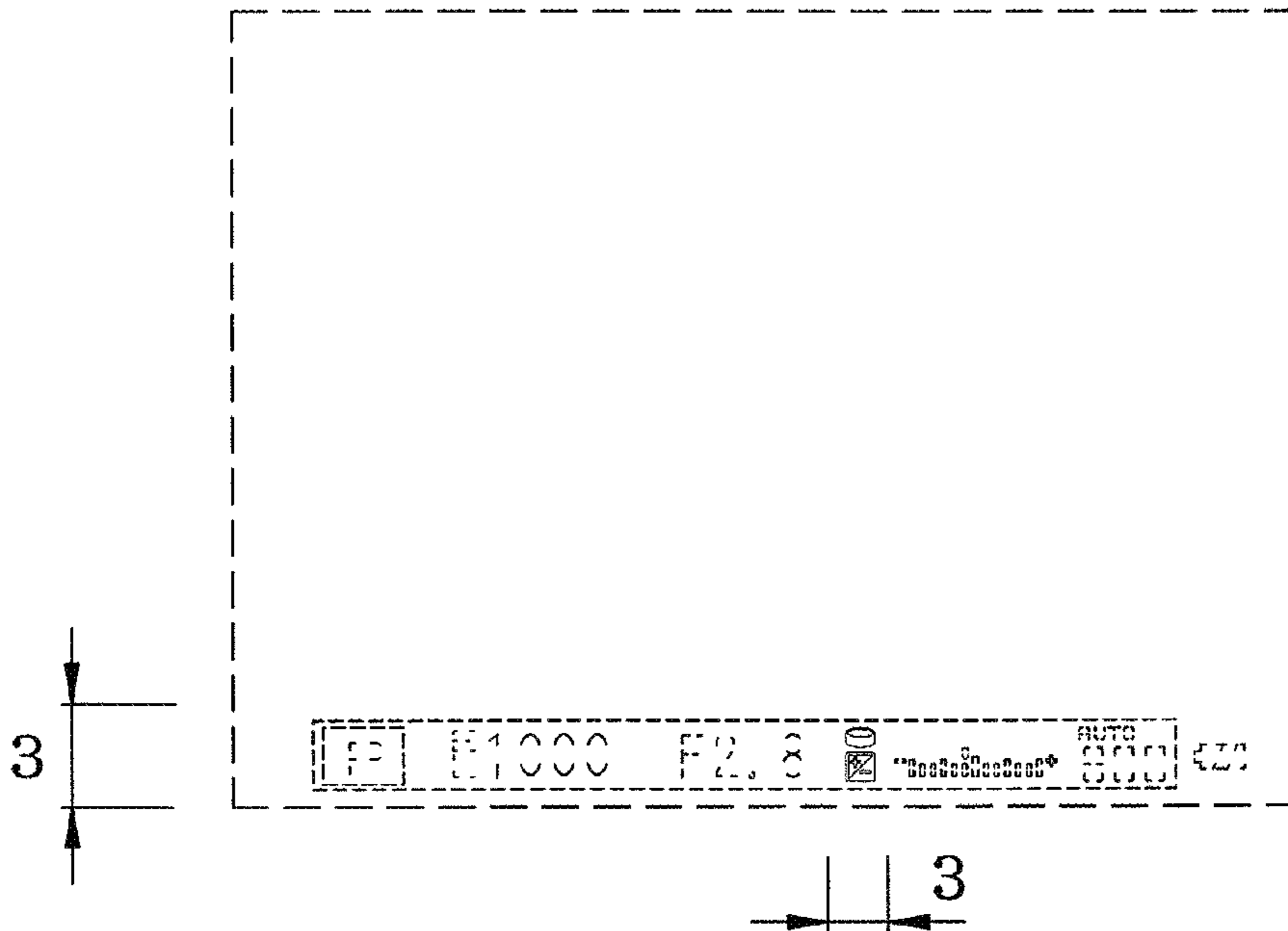


FIG. 3

