



US00D765674S

(12) **United States Design Patent**
Kim

(10) **Patent No.:** **US D765,674 S**
(45) **Date of Patent:** **** Sep. 6, 2016**

(54) **DISPLAY SCREEN OR PORTION THEREOF WITH TRANSITIONAL GRAPHICAL USER INTERFACE**

(71) Applicant: **Samsung Electronics Co., Ltd.**,
Suwon-si (KR)

(72) Inventor: **Gyu-Chual Kim**, Bucheon-si (KR)

(73) Assignee: **SAMSUNG ELECTRONICS CO., LTD.**,
Suwon-Si (KR)

(**) Term: **14 Years**

(21) Appl. No.: **29/513,845**

(22) Filed: **Jan. 6, 2015**

(30) **Foreign Application Priority Data**

Sep. 2, 2014 (KR) 30-2014-0042736

(51) **LOC (10) Cl.** **14-04**

(52) **U.S. Cl.**
USPC **D14/485**

(58) **Field of Classification Search**
USPC D14/485-495
CPC H04N 21/431; H04N 21/8113; H04N
21/4312; G06F 3/0484; G06F 3/04847;
G06F 3/04817; G06F 3/0487; G06Q 40/08
See application file for complete search history.

(56) **References Cited**

U.S. PATENT DOCUMENTS

D613,301 S * 4/2010 Lee D14/489
D626,131 S * 10/2010 Kruzeniski D14/485
D627,360 S * 11/2010 Aarseth D14/485
D631,060 S * 1/2011 Flik D14/486
D691,171 S * 10/2013 Brinda D14/488

(Continued)

FOREIGN PATENT DOCUMENTS

KR 30-0712113 10/2013
KR 30-0734977 3/2014

OTHER PUBLICATIONS

“How to Use Snap Note on Your Samsung Galaxy Note 4.”
Verizonwireless.com, copyright 2016 (Retrieved from the Internet
Mar. 22, 2016). Internet URL: <http://www.verizonwireless.com/
support/samsung-galaxy-note-4-snap-note-video/[>.*

(Continued)

Primary Examiner — Eric Goodman
Assistant Examiner — Rachel Voorhies

(74) *Attorney, Agent, or Firm* — McAndrews Held &
Malloy, Ltd.

(57) **CLAIM**

The ornamental design for a display screen or portion thereof with transitional graphical user interface, as shown and described.

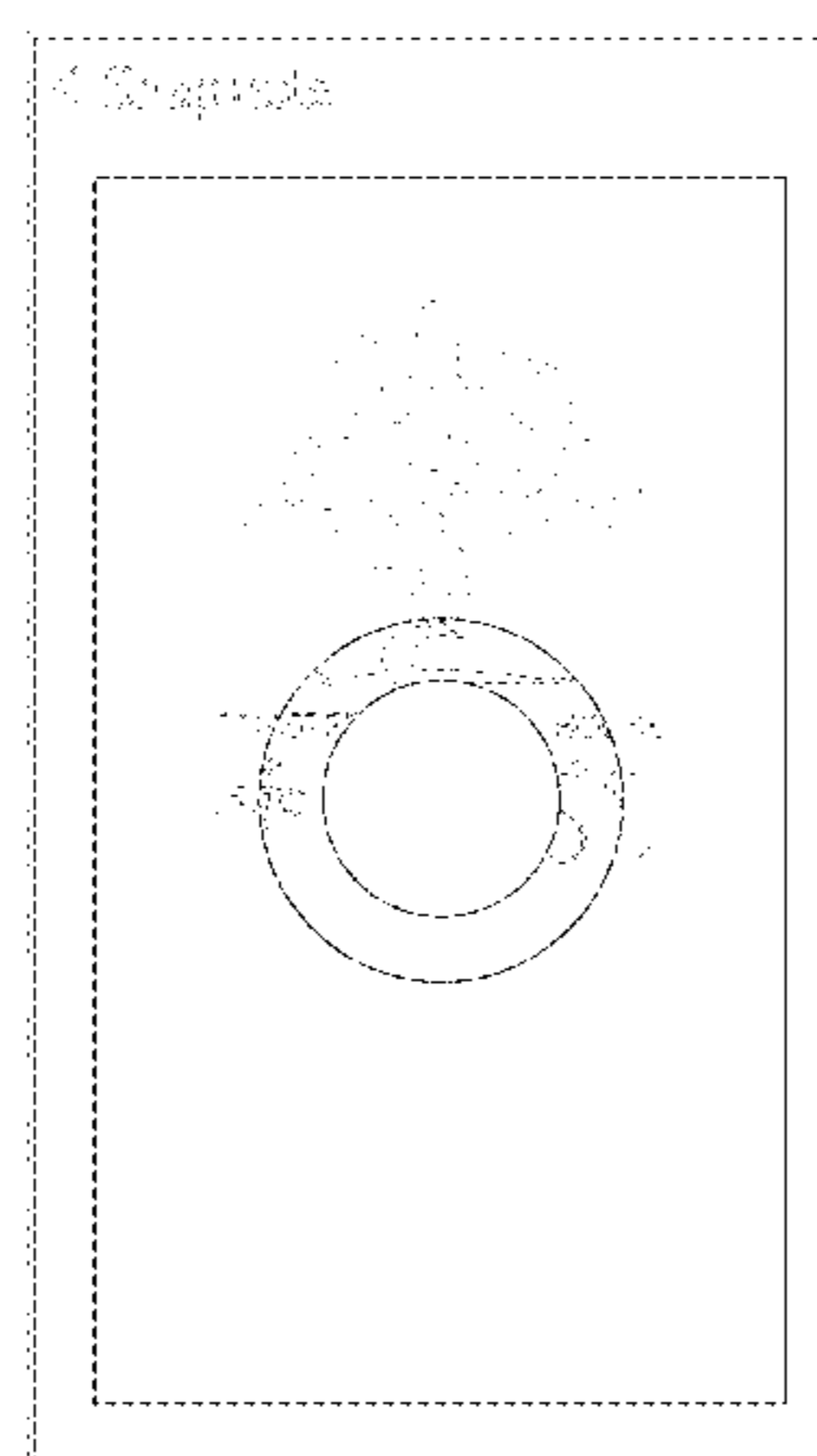
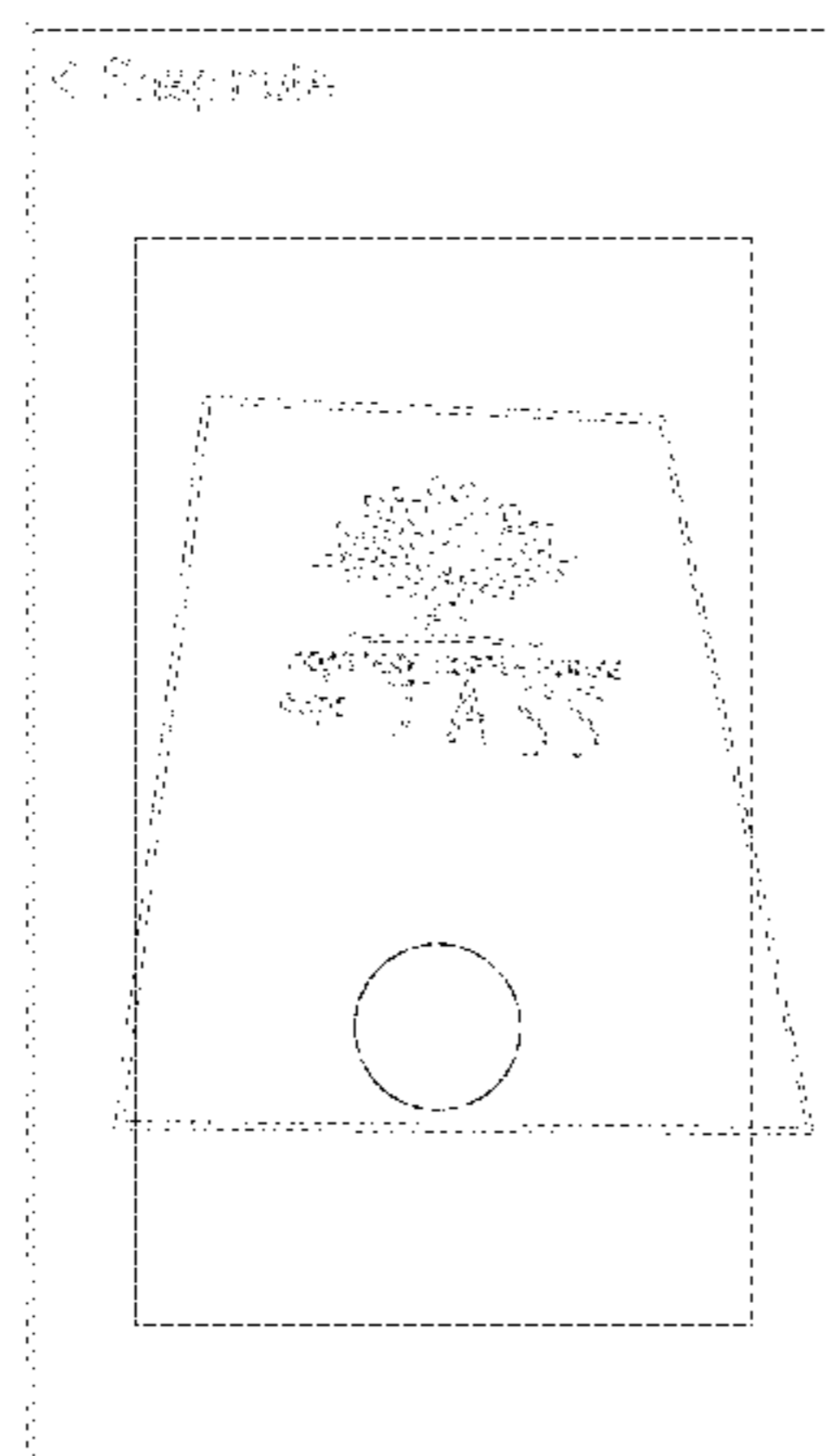
DESCRIPTION

FIG. 1 is the first image in a sequence for a display screen or portion thereof with transitional graphical user interface showing my new design;
FIG. 2 is the second image thereof;
FIG. 3 is the third image thereof;
FIG. 4 is the fourth image thereof;
FIG. 5 is the fifth image thereof;
FIG. 6 is the sixth image thereof;
FIG. 7 is the seventh image thereof;
FIG. 8 is the eighth image thereof;
FIG. 9 is the ninth image thereof; and,
FIG. 10 is the tenth image thereof.

The appearance of the transitional image sequentially transitions between the images shown in FIGS. 1-10. The process or period in which one image transitions to another forms no part of the claimed design.

The dashed broken lines showing portions of the display screen or portion thereof with graphical user interface are for environmental purposes only and form no part of the claimed design.

1 Claim, 10 Drawing Sheets



(56)

References Cited

U.S. PATENT DOCUMENTS

D699,745 S * 2/2014 Pearson D14/488
D699,748 S * 2/2014 Pearson D14/488
D703,693 S * 4/2014 Brinda D14/488
D710,878 S * 8/2014 Jung D14/488
D712,915 S * 9/2014 Lee D14/486
D713,413 S * 9/2014 Lee D14/486
D713,414 S * 9/2014 Lee D14/486
D713,415 S * 9/2014 Lee D14/486
D716,334 S * 10/2014 Lee D14/486
D725,133 S * 3/2015 Smirin D14/486
D726,221 S * 4/2015 Gomez D14/492
D728,616 S * 5/2015 Gomez D14/491
D737,325 S * 8/2015 Kim D14/489
D741,898 S * 10/2015 Soegiono D14/488
D745,559 S * 12/2015 Sanderson D14/492
D746,857 S * 1/2016 Rayit D14/488
D748,657 S * 2/2016 Lee D14/486

D749,107 S * 2/2016 Amiya D14/486
D751,599 S * 3/2016 Connolly D14/488
2014/0337791 A1* 11/2014 Agnetta G06F 3/0481
715/784

OTHER PUBLICATIONS

user2732294. "animating UIView transitions like expand dot to circle." Stack Overflow, posted Sep. 2, 2013 (Retrieved from the Internet Mar. 22, 2016). Internet URL: <<http://stackoverflow.com/questions/18565910/animating-uiview-transitions-like-expand-dot-to-circle>>.*

LG G Pro2 posted on Feb. 26, 2014 <http://thebetterday.tistory.com/entry/G-Pro2-Attraction>, last accessed Feb. 4, 2015.

LG Optimus LTE2 posted on Jul. 27, 2012 <http://review.auction.co.kr/ShoppingGuide/GuideView.aspx?noGuide=497106&category=07710202&itemNo=A558000984>, last accessed Feb. 4, 2015.

* cited by examiner

FIG. 1

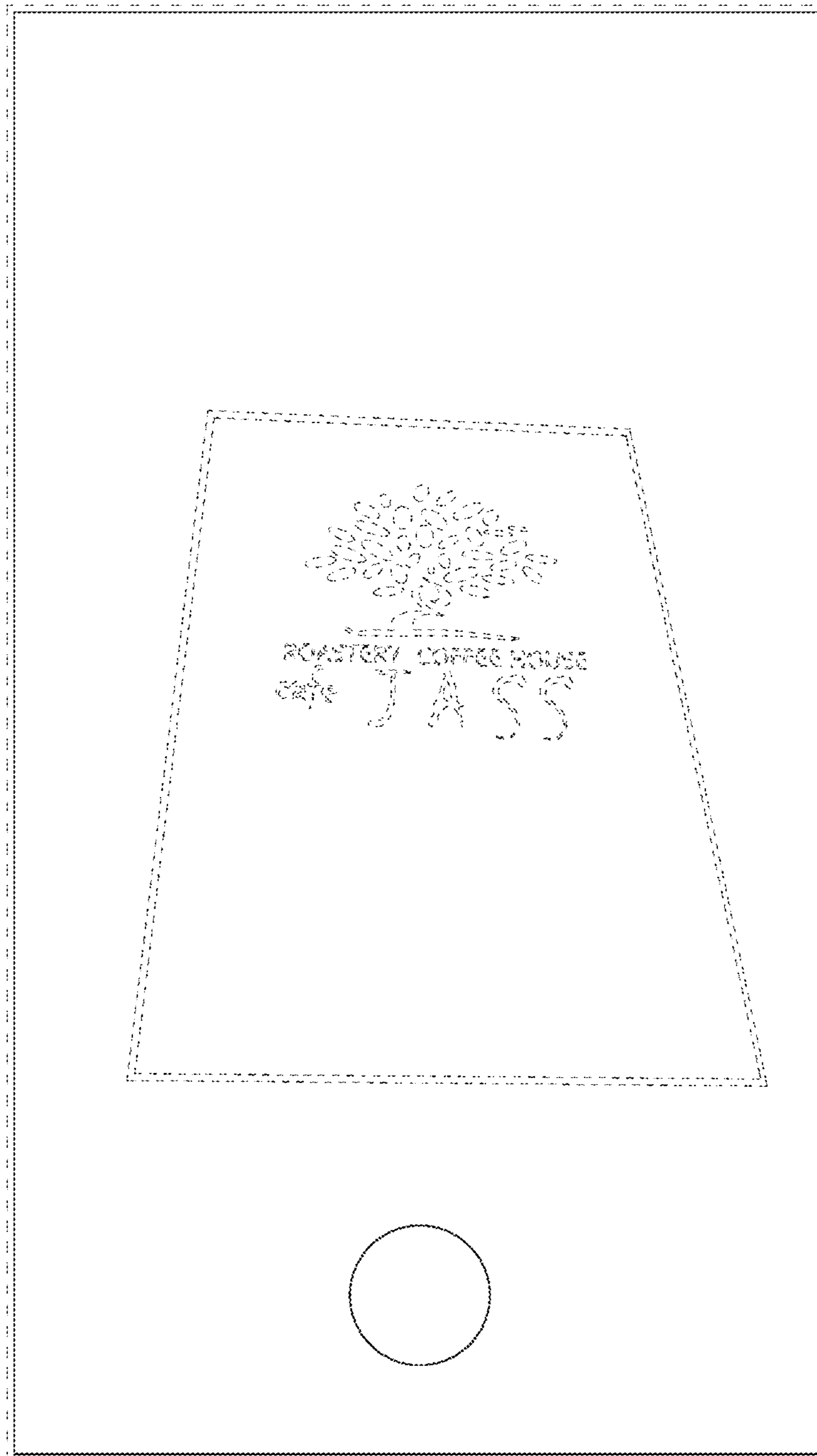


FIG. 2

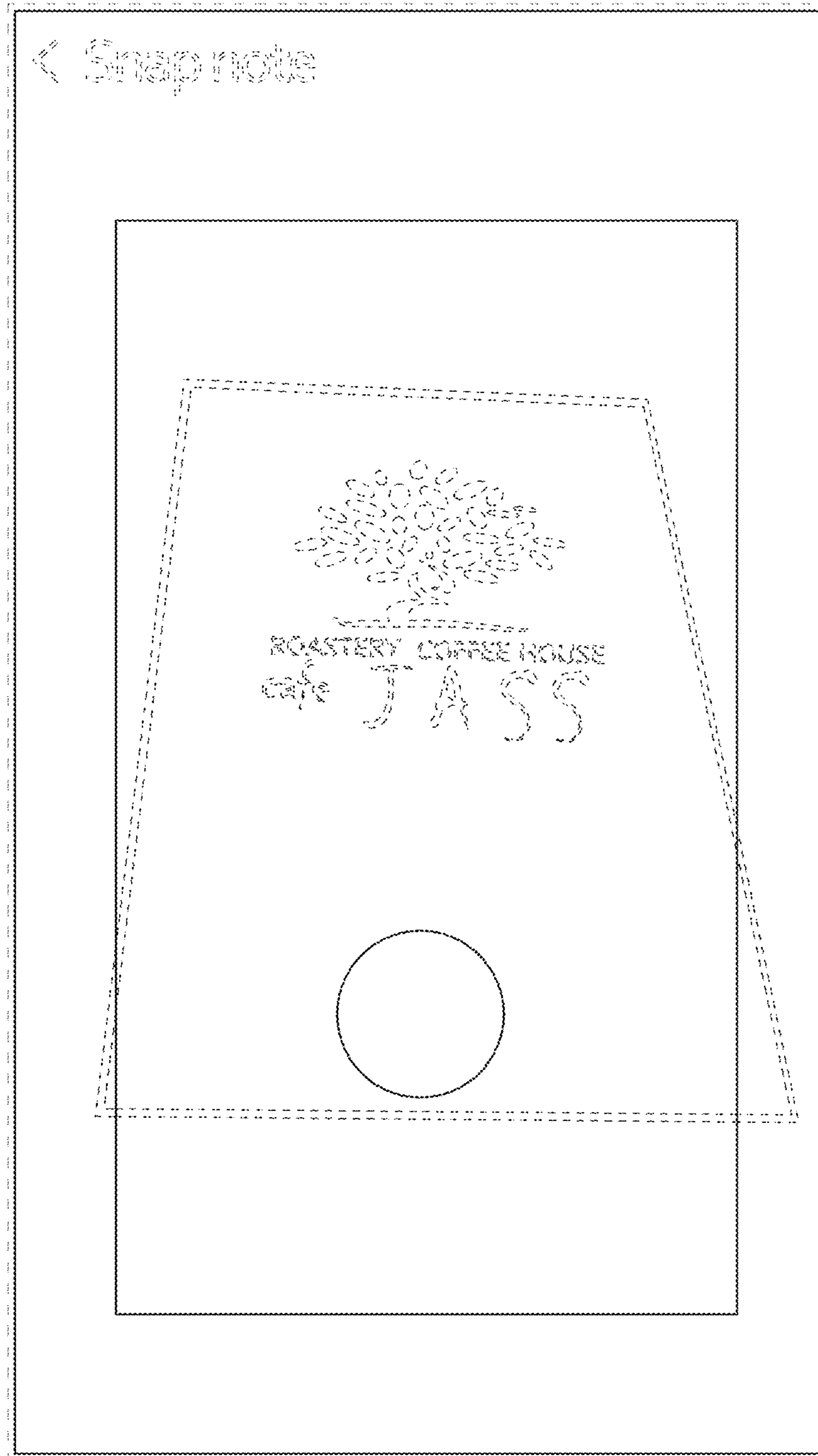


FIG. 3

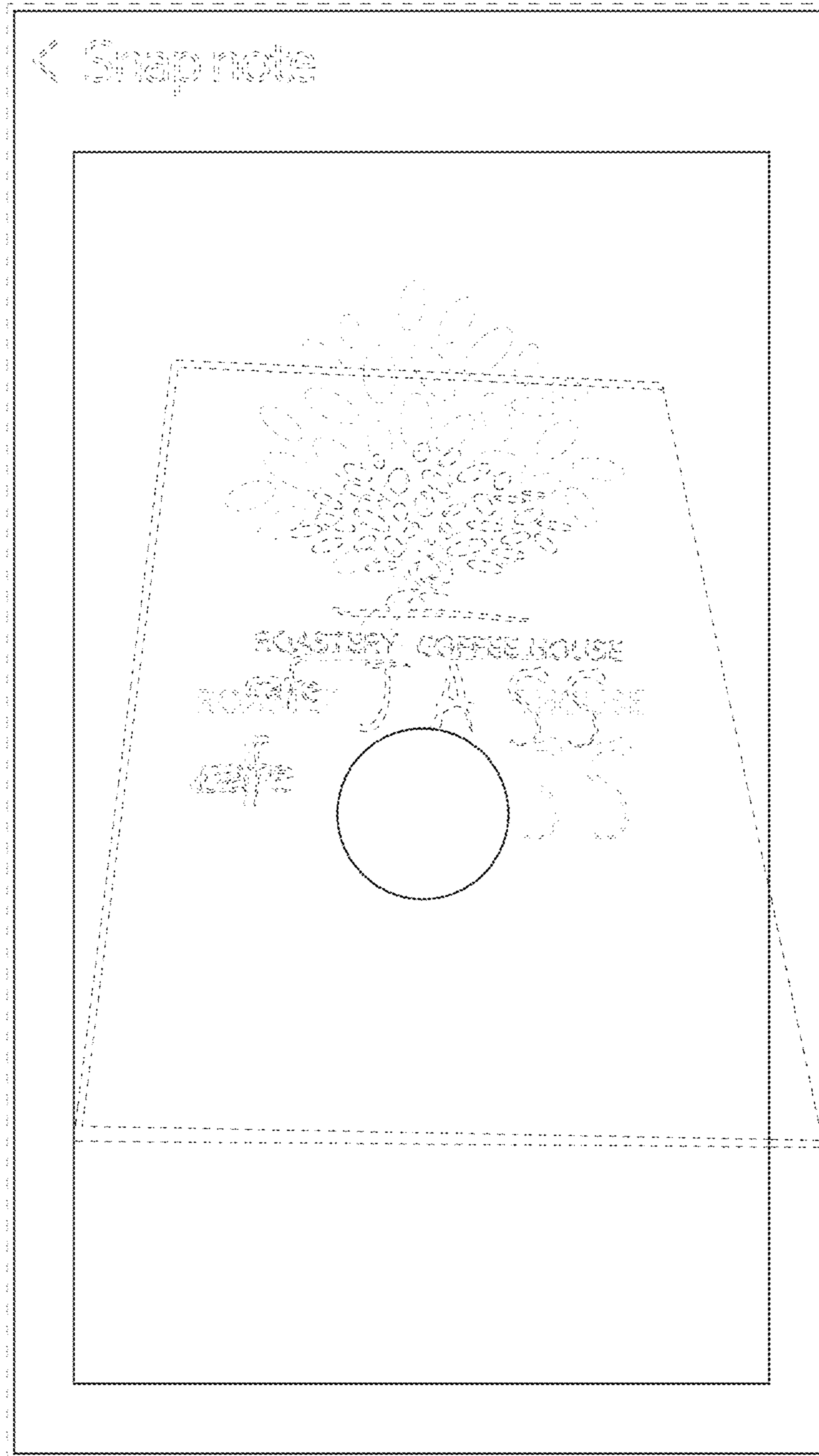


FIG. 4

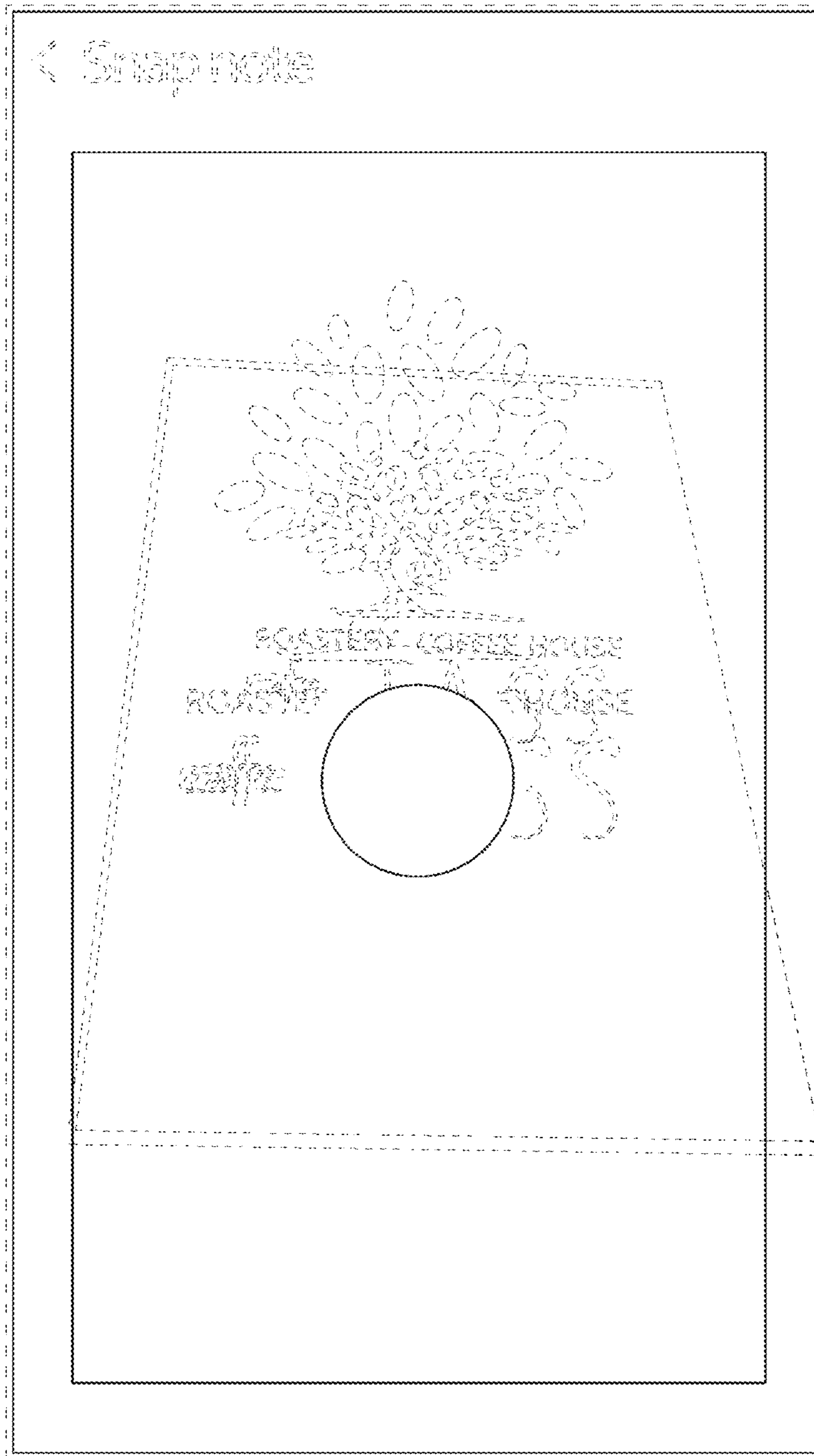


FIG. 5

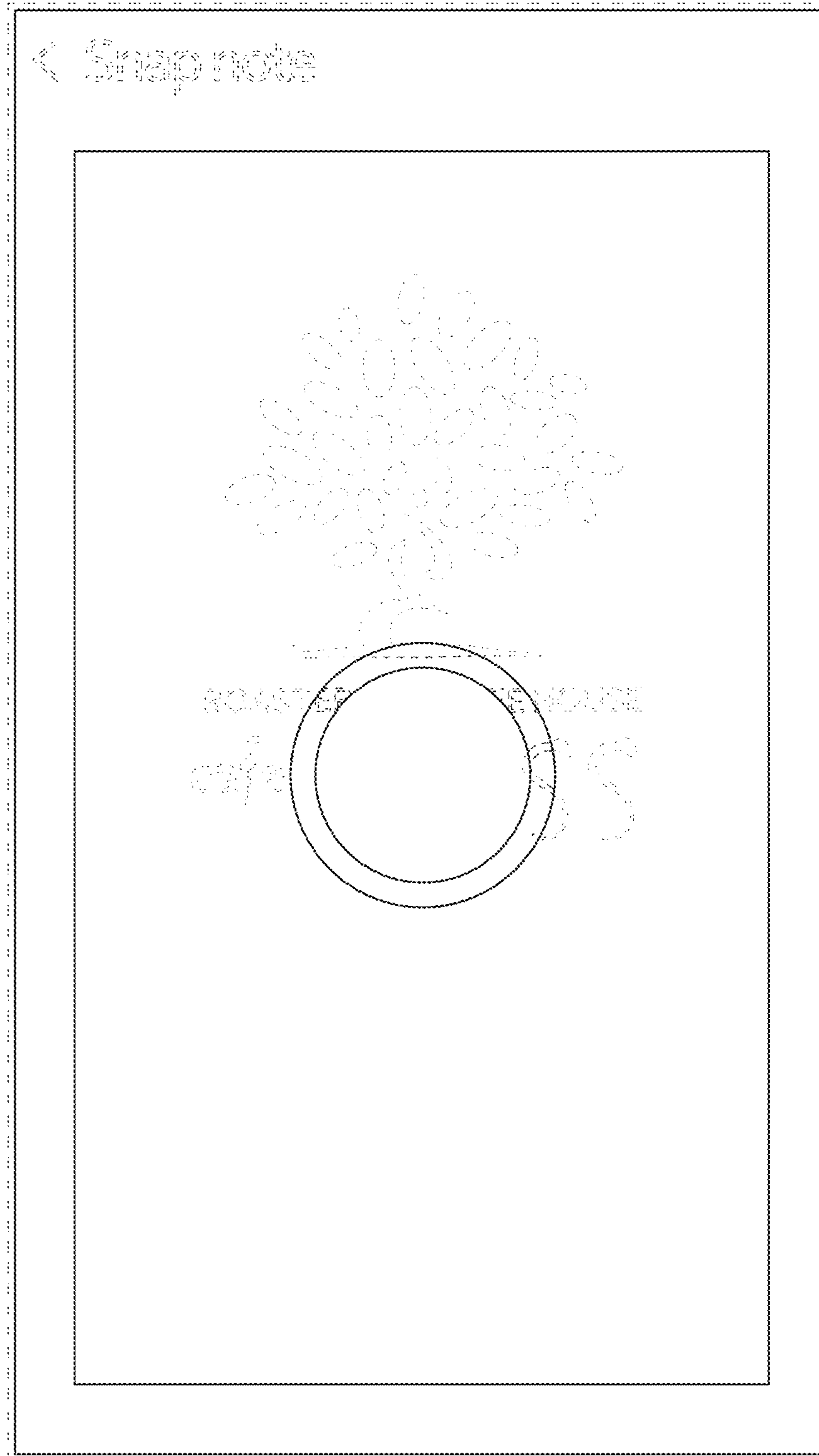


FIG. 6

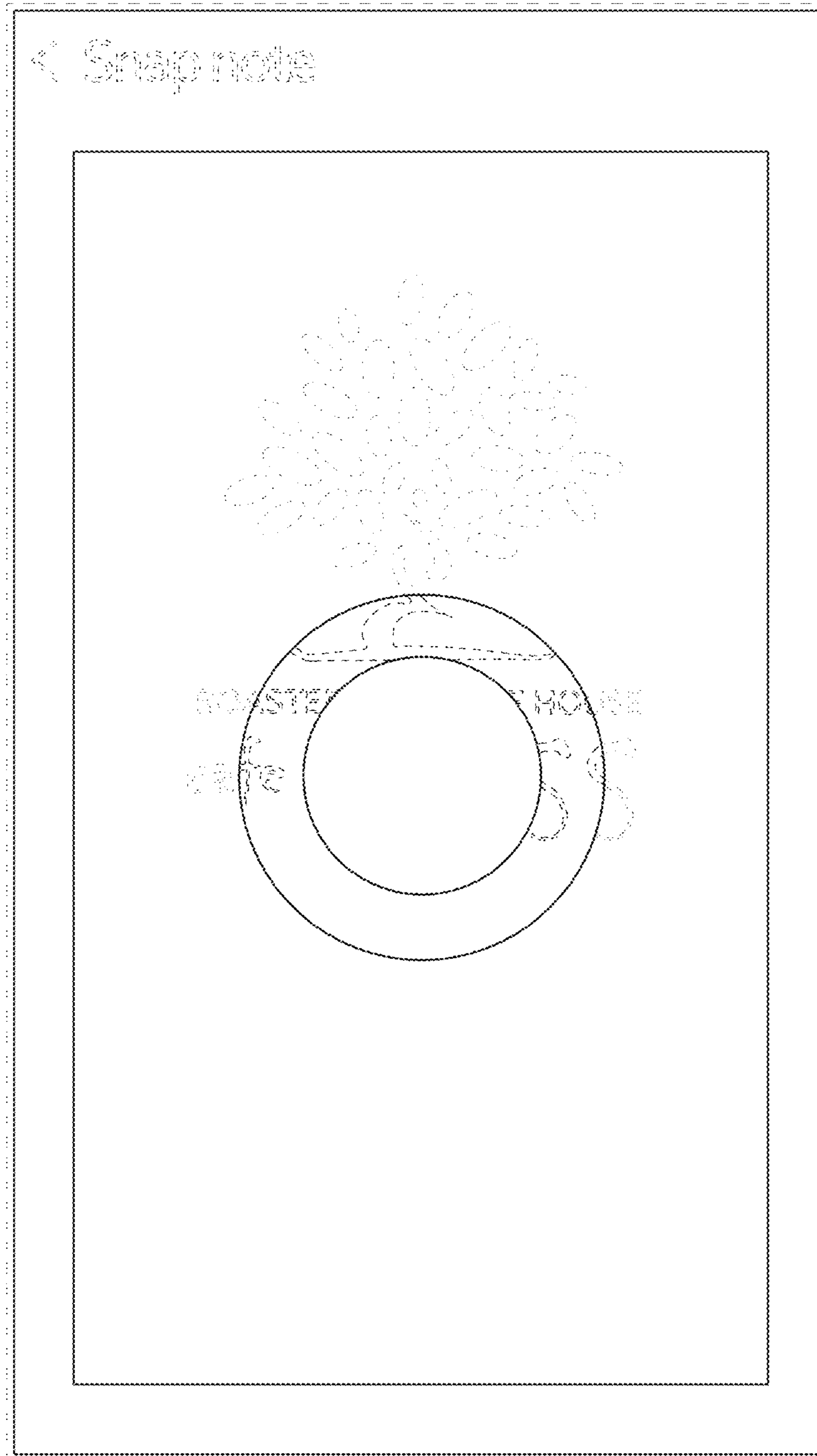


FIG. 7

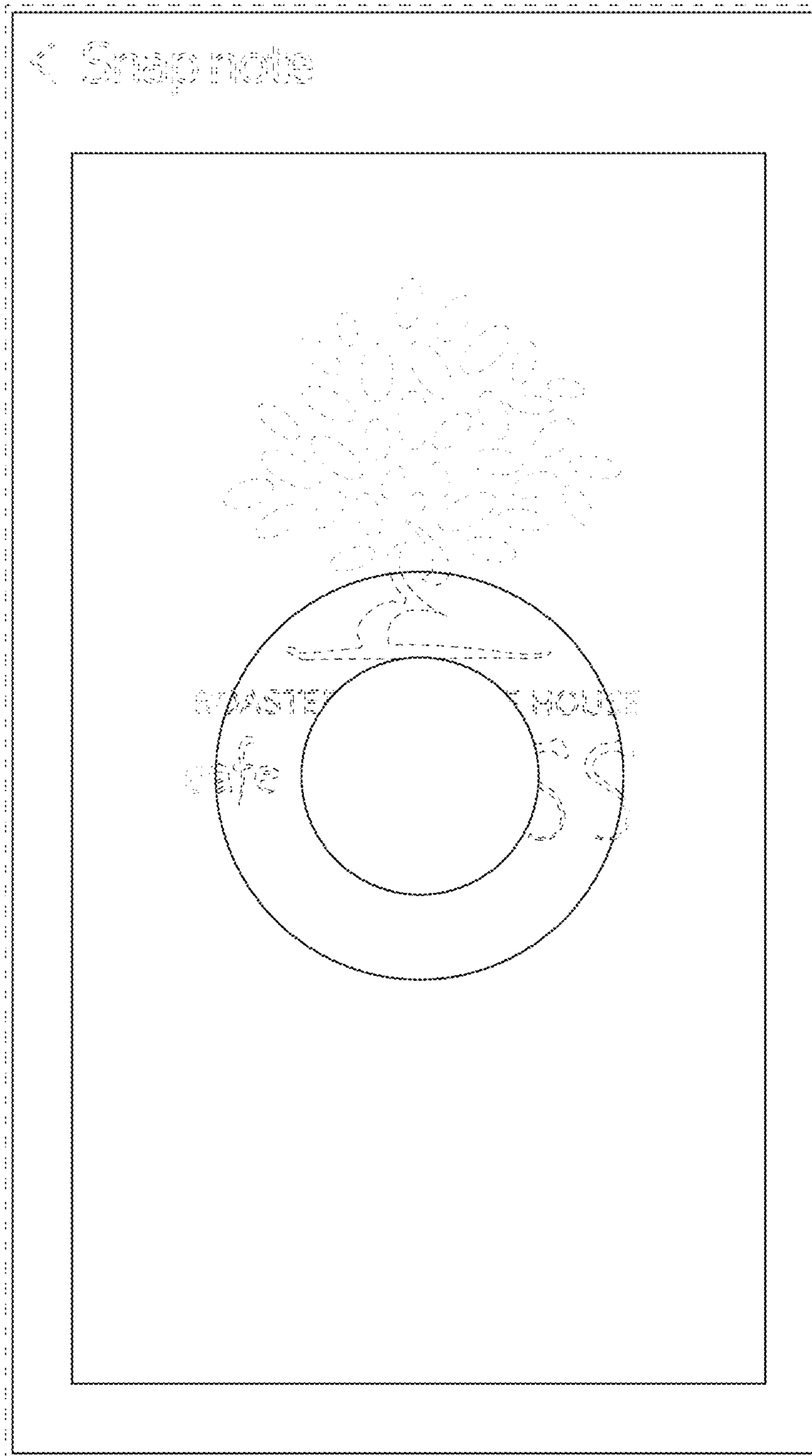


FIG. 8

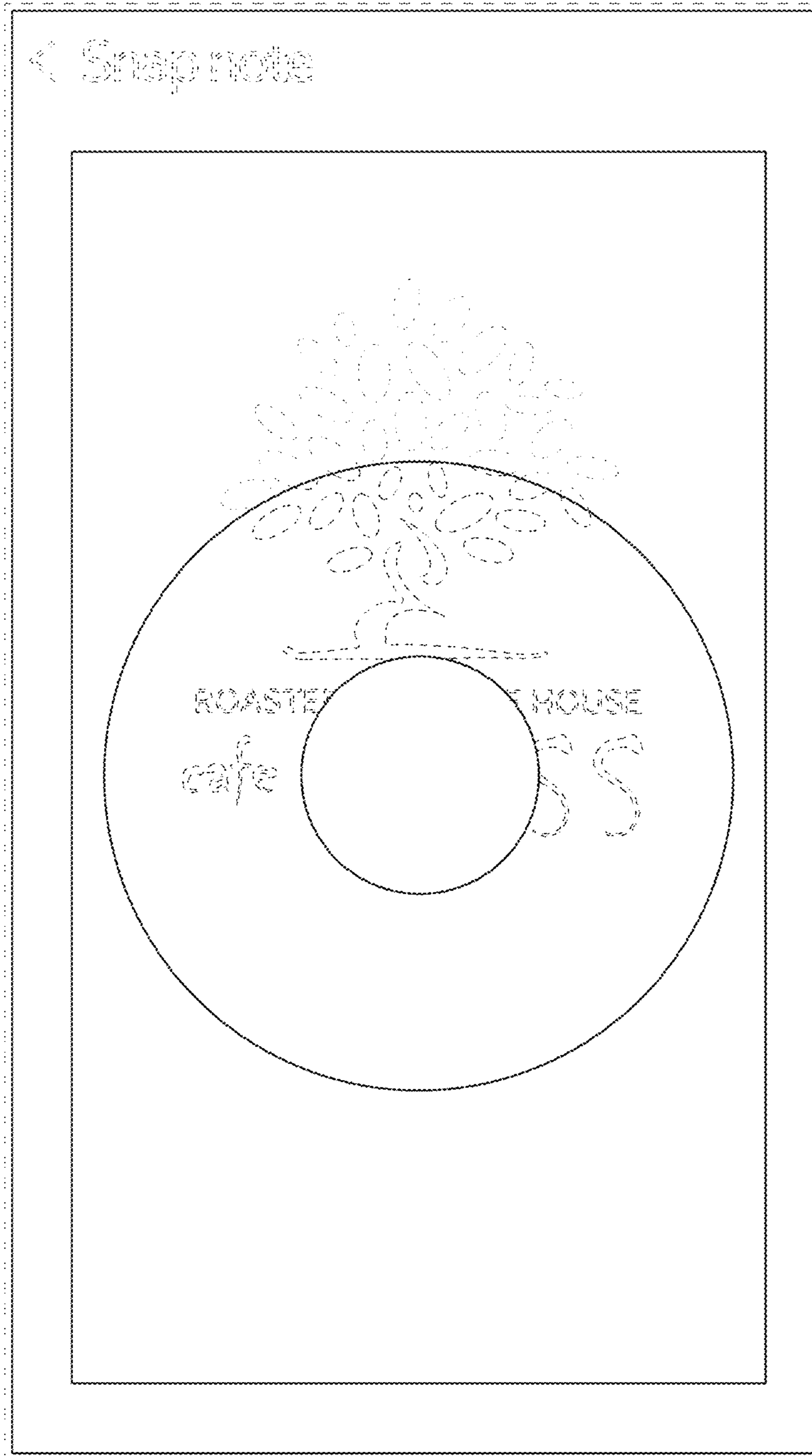


FIG. 9

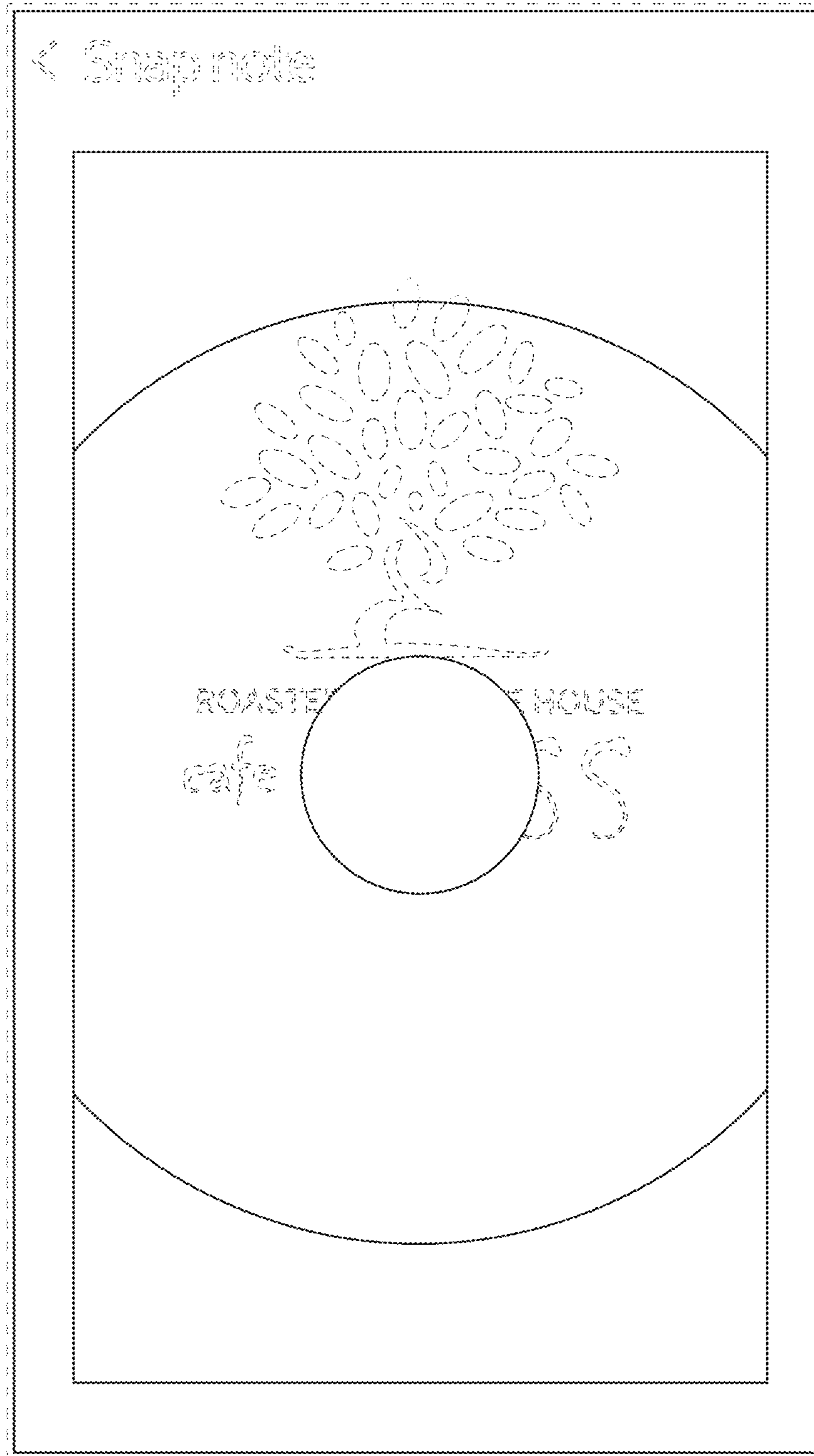


FIG. 10

