



US00D765668S

(12) **United States Design Patent**  
**Aoki et al.**

(10) **Patent No.: US D765,668 S**

(45) **Date of Patent: \*\* Sep. 6, 2016**

(54) **DISPLAY SCREEN WITH GRAPHICAL USER INTERFACE**

(71) Applicant: **Nikon Corporation**, Tokyo (JP)

(72) Inventors: **Yuuki Aoki**, Kawasaki (JP); **Kenji Tonegawa**, Tokyo (JP); **Miho Hara**, Chigasaki (JP)

(73) Assignee: **Nikon Corporation**, Tokyo (JP)

(\*\*) Term: **14 Years**

(21) Appl. No.: **29/492,947**

(22) Filed: **Jun. 4, 2014**

(30) **Foreign Application Priority Data**

Dec. 5, 2013 (JP) ..... 2013-028553

Dec. 5, 2013 (JP) ..... 2013-028556

(51) **LOC (10) Cl.** ..... **14-04**

(52) **U.S. Cl.**  
USPC ..... **D14/485**

(58) **Field of Classification Search**  
USPC ..... D14/485-495; D16/219, 134  
CPC ..... G06F 3/04817  
See application file for complete search history.

(56) **References Cited**

**U.S. PATENT DOCUMENTS**

- 3,678,823 A \* 7/1972 Sato ..... G03B 7/20  
396/227
- D428,428 S \* 7/2000 Ono ..... D16/134
- D433,435 S \* 11/2000 Hamamura ..... D16/217
- D441,382 S \* 5/2001 Konno ..... D16/134
- D449,322 S \* 10/2001 Ono ..... D16/134
- D620,496 S \* 7/2010 Matas ..... D14/486
- D633,399 S \* 3/2011 Zinder ..... D10/31
- D686,244 S \* 7/2013 Moriya ..... D14/489
- D689,914 S \* 9/2013 Uemachi ..... D16/202
- D692,044 S \* 10/2013 Uemachi ..... D16/219
- D695,810 S \* 12/2013 Soejima ..... D16/219

(Continued)

**FOREIGN PATENT DOCUMENTS**

- JP 1488399 S 12/2013
- JP 1488399 S 1/2014

**OTHER PUBLICATIONS**

Blackberry 10 timeshift | posted at uswitch.com Jan. 30, 2013 © 2000-2015 uSwitch Limited [online], [site visited Nov. 27, 2015]. Available from Internet <URL:http://www.uswitch.com/mobiles/news/2013/01/blackberry\_z10\_5\_things\_you\_need\_to\_know/>.\*

(Continued)

*Primary Examiner* — Sheryl Lane

*Assistant Examiner* — Katherine Glennon

(74) *Attorney, Agent, or Firm* — Wolf, Greenfield & Sacks, P.C.

(57) **CLAIM**

The ornamental design for a display screen with graphical user interface, as shown and described.

**DESCRIPTION**

FIG. 1 is the first image in a sequence of a display screen with graphical user interface showing our new design according to a first embodiment.

FIG. 2 is the second image thereof;

FIG. 3 is the third image thereof;

FIG. 4 is the fourth image thereof;

FIG. 5 is the fifth image thereof;

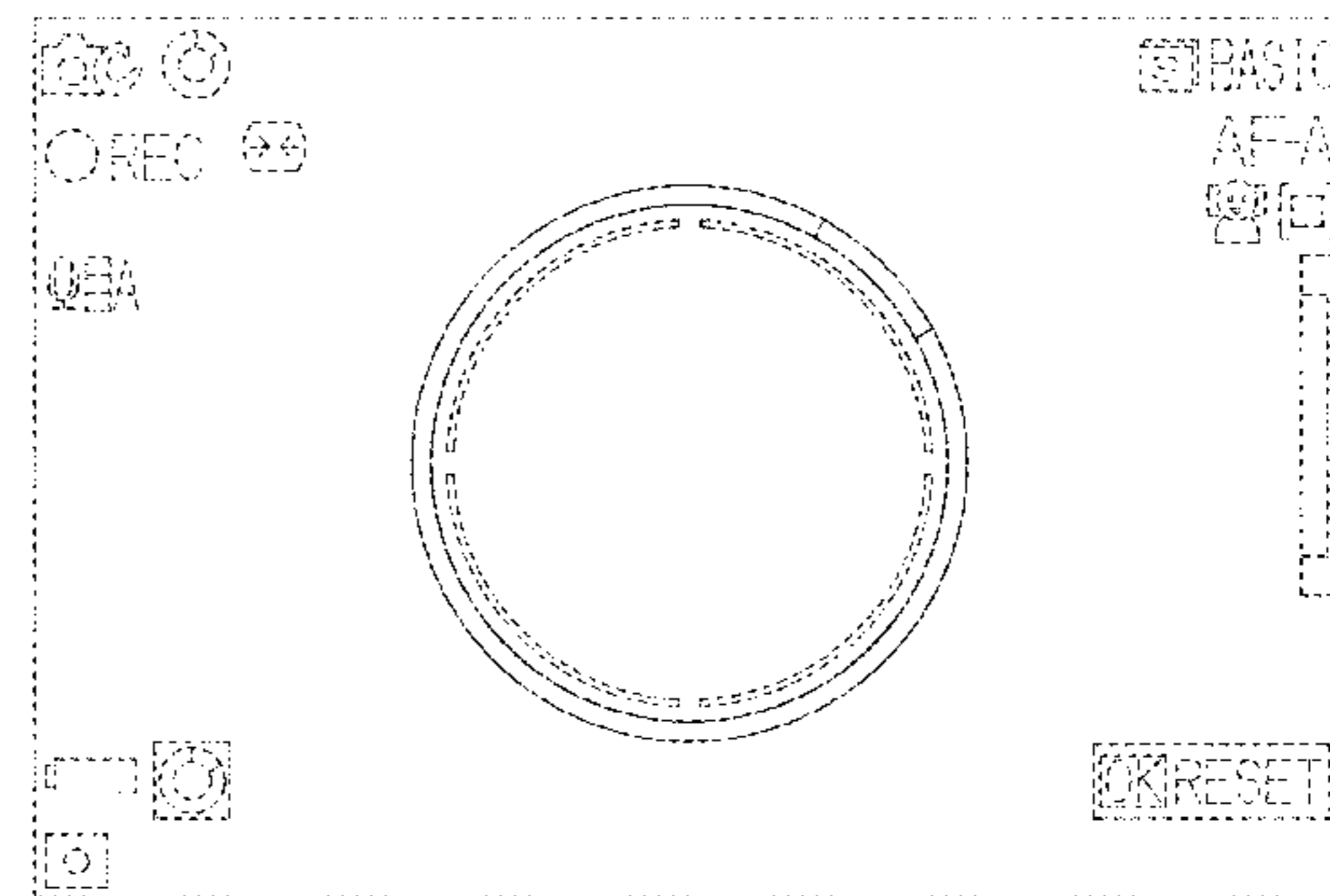
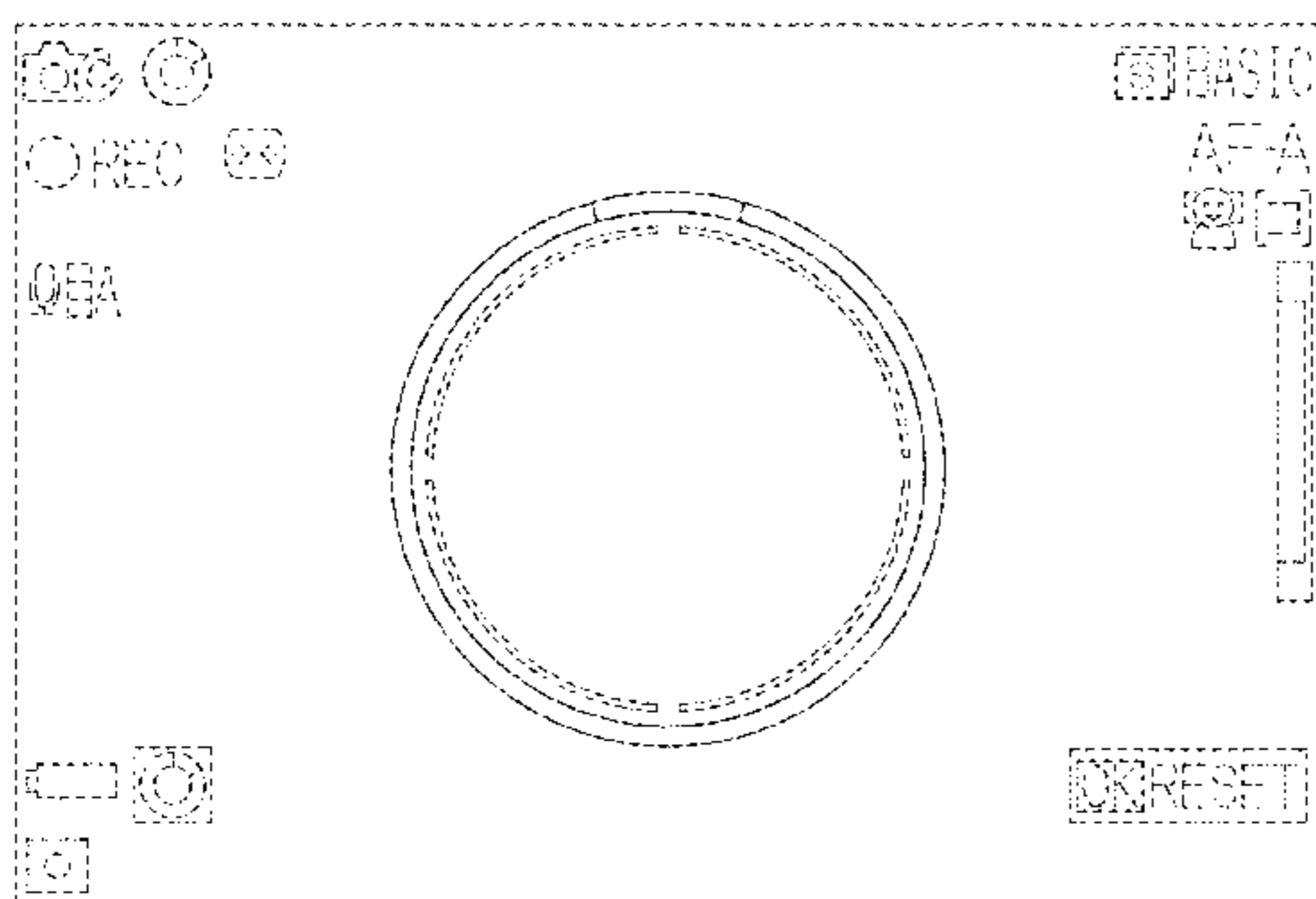
FIG. 6 is the sixth image thereof;

FIG. 7 is the seventh image thereof; and,

FIG. 8 is the eighth image thereof.

The features shown in broken lines in the drawings depict environmental subject matter only and form no part of the claimed design. The subject matter in this patent includes a process or period in which an image changes into another image. The process or period forms no part of the claimed design.

**1 Claim, 8 Drawing Sheets**



(56)

References Cited

U.S. PATENT DOCUMENTS

D697,929 S \* 1/2014 Hyunjung ..... D14/486  
 D700,207 S \* 2/2014 Pearson ..... D14/488  
 D703,693 S \* 4/2014 Brinda ..... D14/488  
 D706,283 S \* 6/2014 Pedraza Padilla ..... D14/485  
 D712,911 S \* 9/2014 Pearson ..... D14/486  
 D714,324 S \* 9/2014 Barling ..... D14/485  
 D715,313 S \* 10/2014 Hontz, Jr. .... D14/485  
 D715,810 S \* 10/2014 Tsukamoto ..... D14/485  
 D715,811 S \* 10/2014 Tsukamoto ..... D14/485  
 D717,334 S \* 11/2014 Sakuma ..... D14/487  
 D718,362 S \* 11/2014 Noh ..... D16/219  
 D722,082 S \* 2/2015 Roberts ..... D14/492  
 8,994,827 B2 \* 3/2015 Mistry ..... H04N 5/2252  
 348/158  
 D726,748 S \* 4/2015 Maekawa ..... D14/486  
 D727,928 S \* 4/2015 Allison ..... D14/485  
 9,030,446 B2 \* 5/2015 Mistry ..... G06F 3/0304  
 178/18.09  
 D730,968 S \* 6/2015 O'Neill ..... D16/219  
 D730,969 S \* 6/2015 O'Neill ..... D16/219  
 D731,547 S \* 6/2015 Kim ..... D14/492  
 D735,733 S \* 8/2015 Hontz, Jr. .... D14/485  
 D737,157 S \* 8/2015 Akana ..... D10/32  
 D737,300 S \* 8/2015 Hisada ..... D14/486  
 D738,895 S \* 9/2015 Myoung ..... D14/486  
 D738,905 S \* 9/2015 Chaudhri ..... D14/488  
 D739,872 S \* 9/2015 Bang ..... D14/488  
 D741,890 S \* 10/2015 Chaudhri ..... D14/486  
 D741,930 S \* 10/2015 Kwon ..... D16/202  
 2009/0278916 A1 \* 11/2009 Ito ..... G06F 3/04815  
 348/51  
 2014/0101576 A1 \* 4/2014 Kwak ..... G06F 3/0482  
 715/761  
 2014/0380243 A1 \* 12/2014 Furue ..... G06F 3/0482  
 715/835

2015/0082243 A1 \* 3/2015 Taylor ..... G06F 3/0482  
 715/814  
 2015/0163345 A1 \* 6/2015 Cornaby ..... G06F 3/04847  
 345/633  
 2015/0248235 A1 \* 9/2015 Offenber ..... G06F 3/04886  
 715/773

OTHER PUBLICATIONS

Nokia Smart Group | posted at winsupersite.com Jun. 22, 2012  
 Copyright © 2015 Penton [online], [site visited Nov. 27, 2015].  
 Available from Internet <URL:http://winsupersite.com/article/  
 windowsphone75/windows-phone-75-nokia-camera-extras-  
 143513>.\*  
 Blackberry 10 Timeshift | posted at Crackberry.com May 1, 2012 |  
 Copyright © 2015 Mobile Nations® [online], [site visited Nov. 27,  
 2015]. Available from Internet <URL:http://crackberry.com/take-  
 peek-upgraded-camera-coming-blackberry-10-smartphones>.\*  
 Nikon GUI design | posted at SLRLounge.com Nov. 6, 2012 © 2015  
 [online], [site visited Nov. 27, 2015]. Available from Internet  
 <URL:http://www.slrlounge.com/nikon-unveils-the-new-semi-en-  
 try-level-d5200-dslr/>.\*  
 Olympus OMD EM1 Color Creator | posted at pekkapotka.com  
 Sep. 9, 2013 copyright Pekka Potka 1973-2015 [online], [site visited  
 Nov. 27, 2015]. Available from Internet <URL:http://www.  
 pekkapotka.com/journal/2013/9/9/olympus-om-d-e-m1-hands-on-  
 preview.html>.\*  
 Nokia Lumina 1020 Camera UI | posted at uxmag.com Nov. 19,  
 2013 | 2015 UX Magazine, All Rights Reserved.[online], [site  
 visited Nov. 27, 2015]. Available from Internet <URL:https://  
 uxmag.com/articles/branching-out-from-the-apple-tree-an-ios-loy-  
 alist-considers-mobile-alternatives>.\*  
 Website, http://olympus-imaging.jp/product/dslr/em1/feature/in-  
 dex3.html; title—Olympus OM-D E-M1, dated 2013; pp. 1-7.  
 Website, http://www.olympus.co.jp/jp/news/2013b/nr130910em1j.  
 jsp; title—Olympus OM-DE-M1, dated Sep. 10, 2013, pp. 1-15.  
 Website, http://blog.laptopmag.com/how-to-use-the-time-shift-  
 camera-app-in-blackberry-10; How to Use theTtime Shift Camera  
 App in BlackBerry 10; Author; Daniel P. Howley, dated Jan. 30,  
 2013, pp. 1-6.

\* cited by examiner

Fig.1

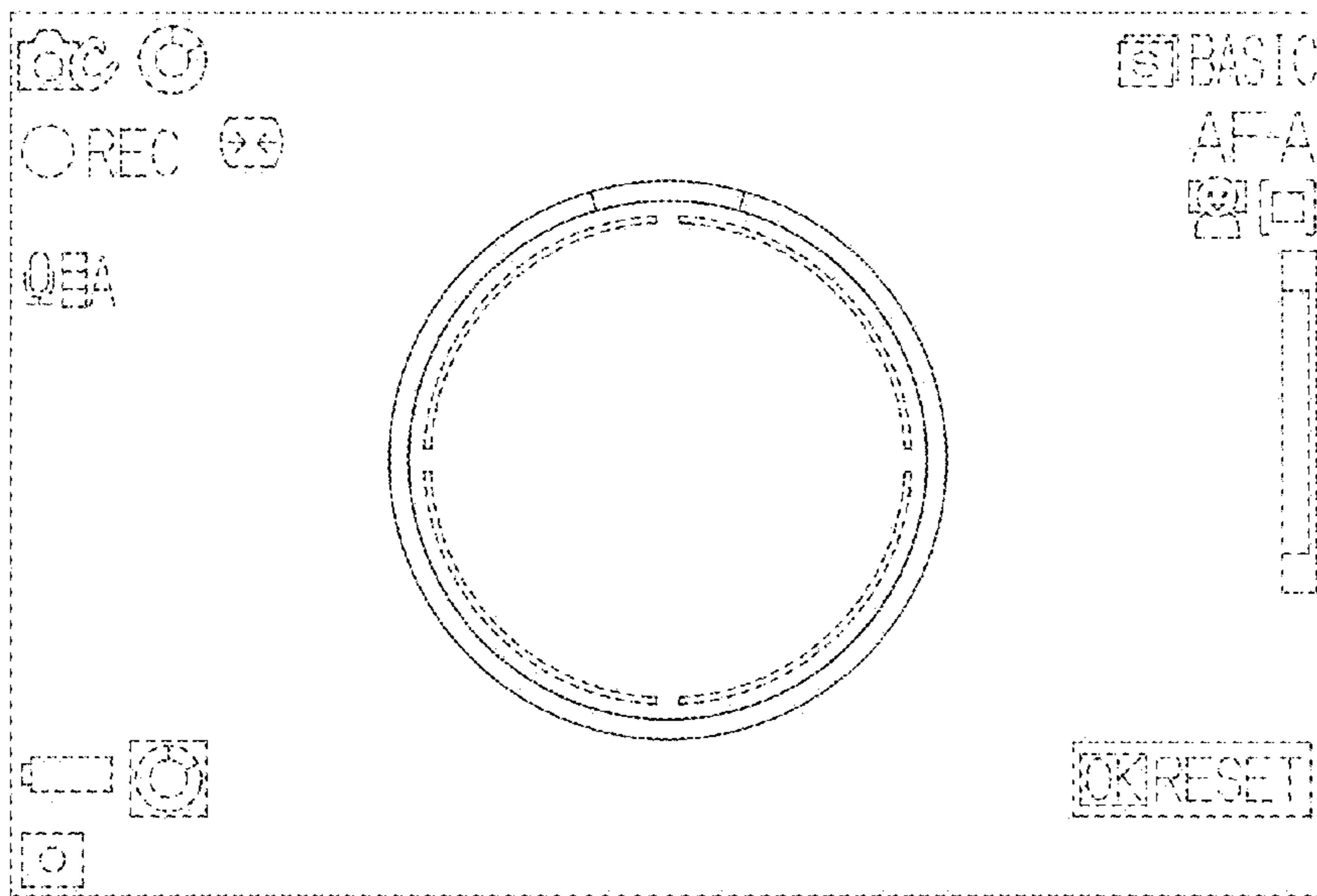


Fig.2

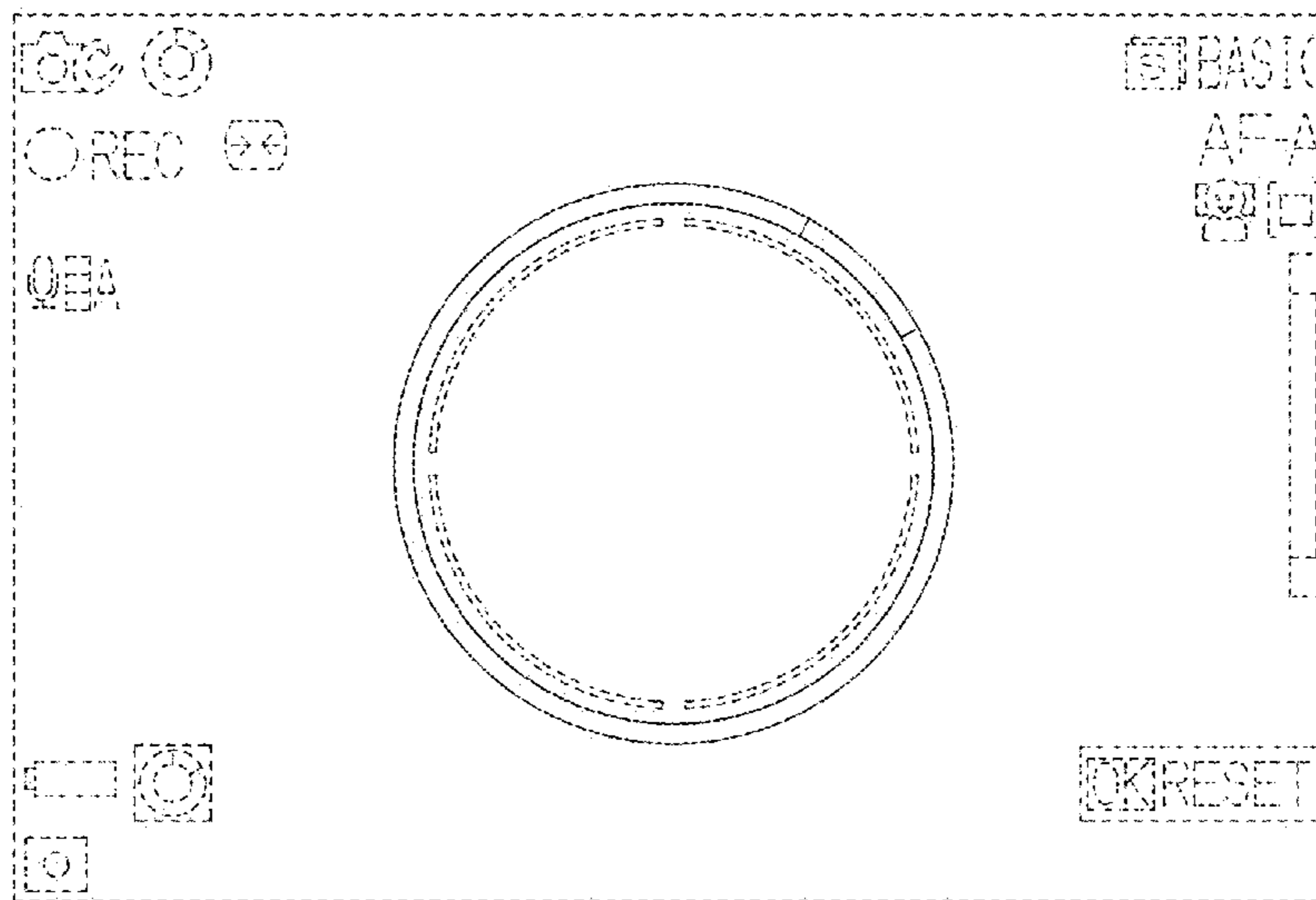




Fig.3

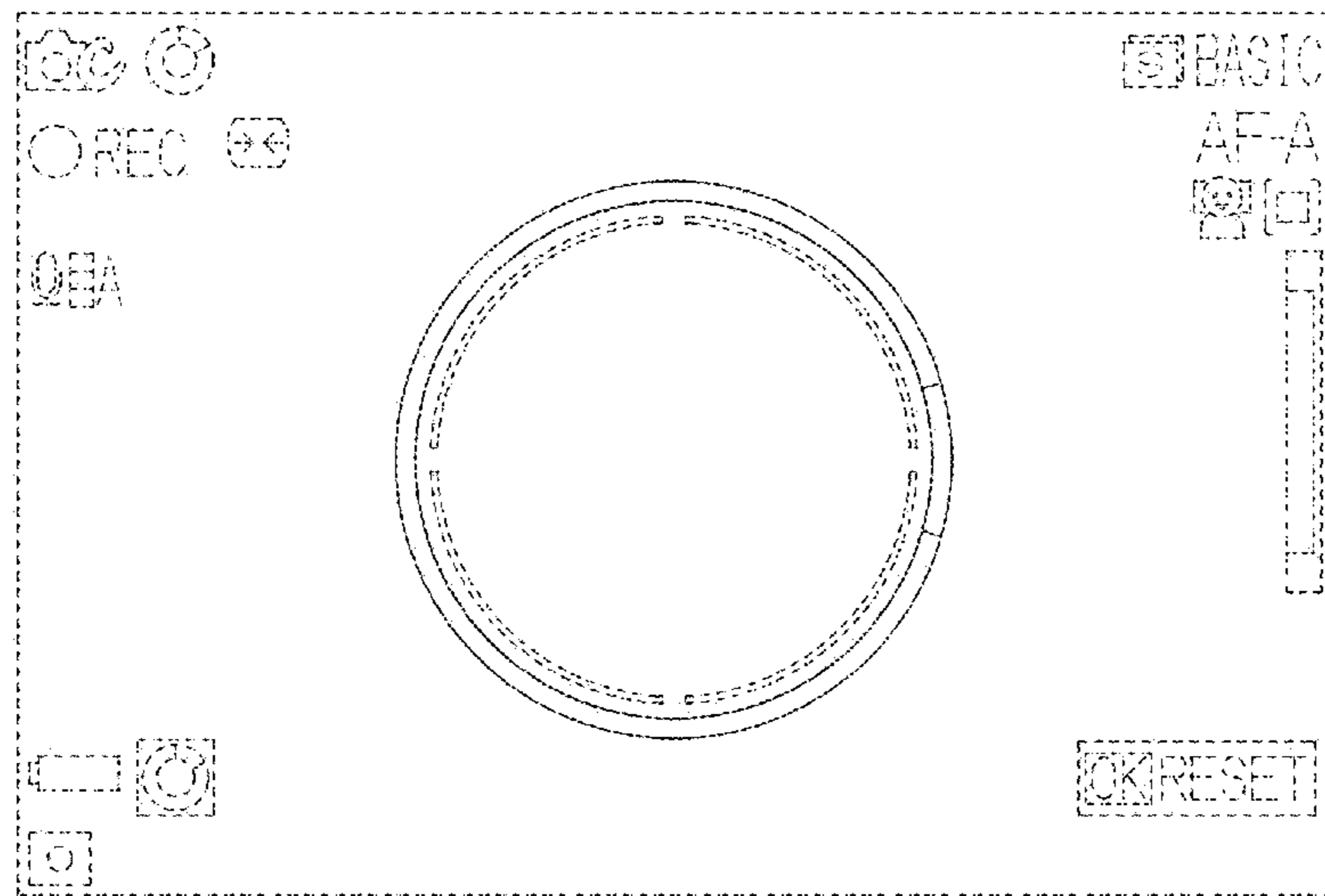


Fig.4

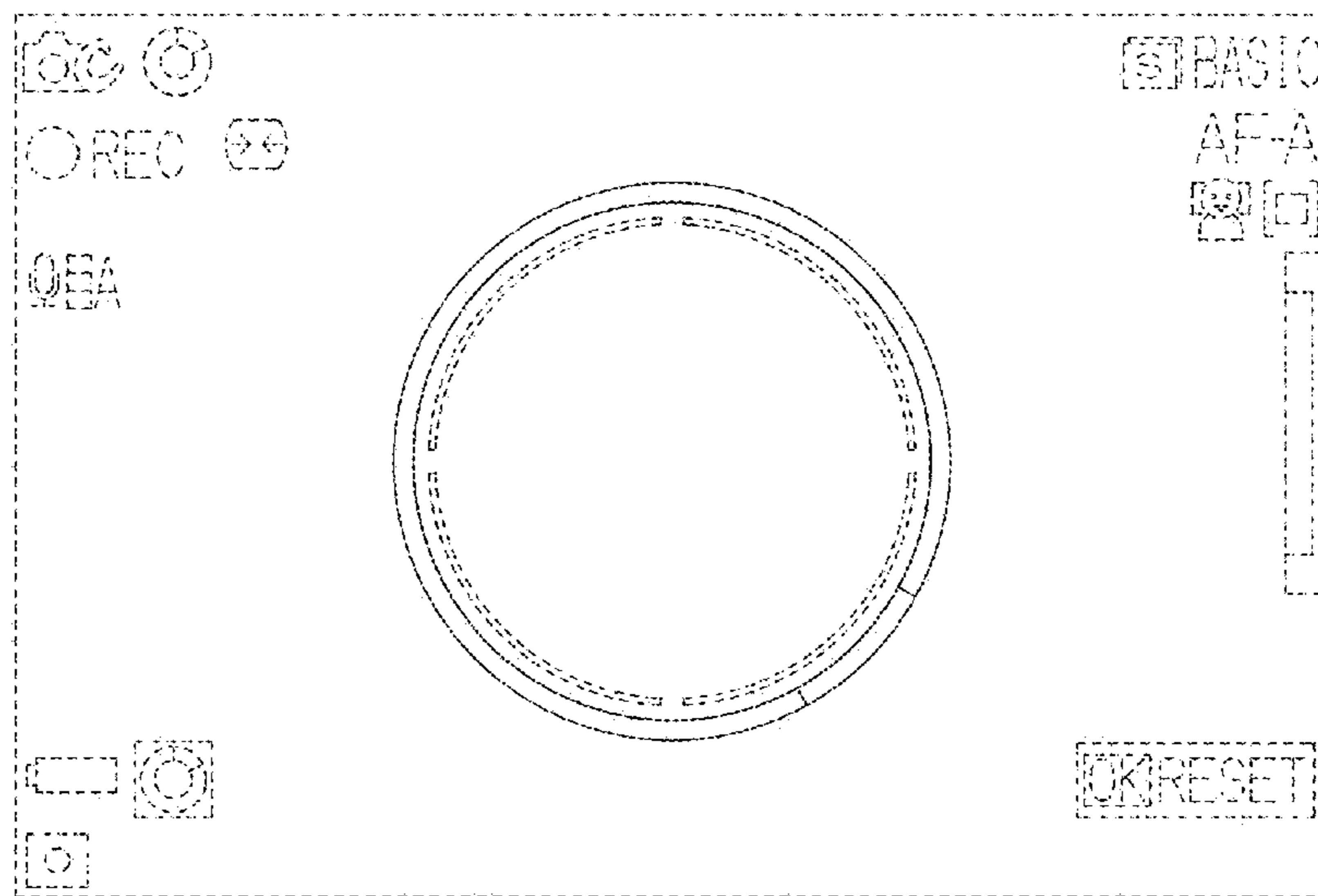


Fig.5

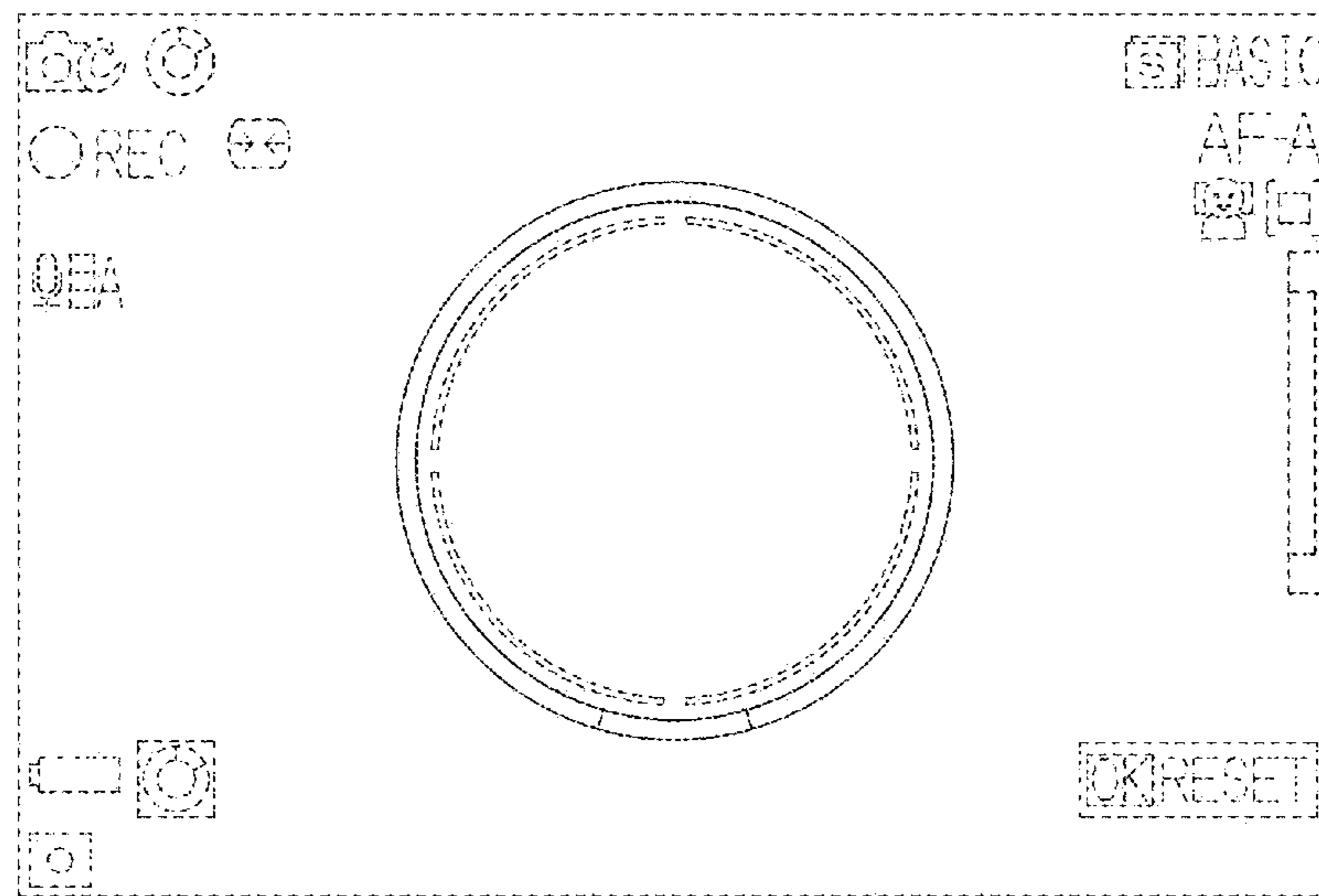


Fig.6

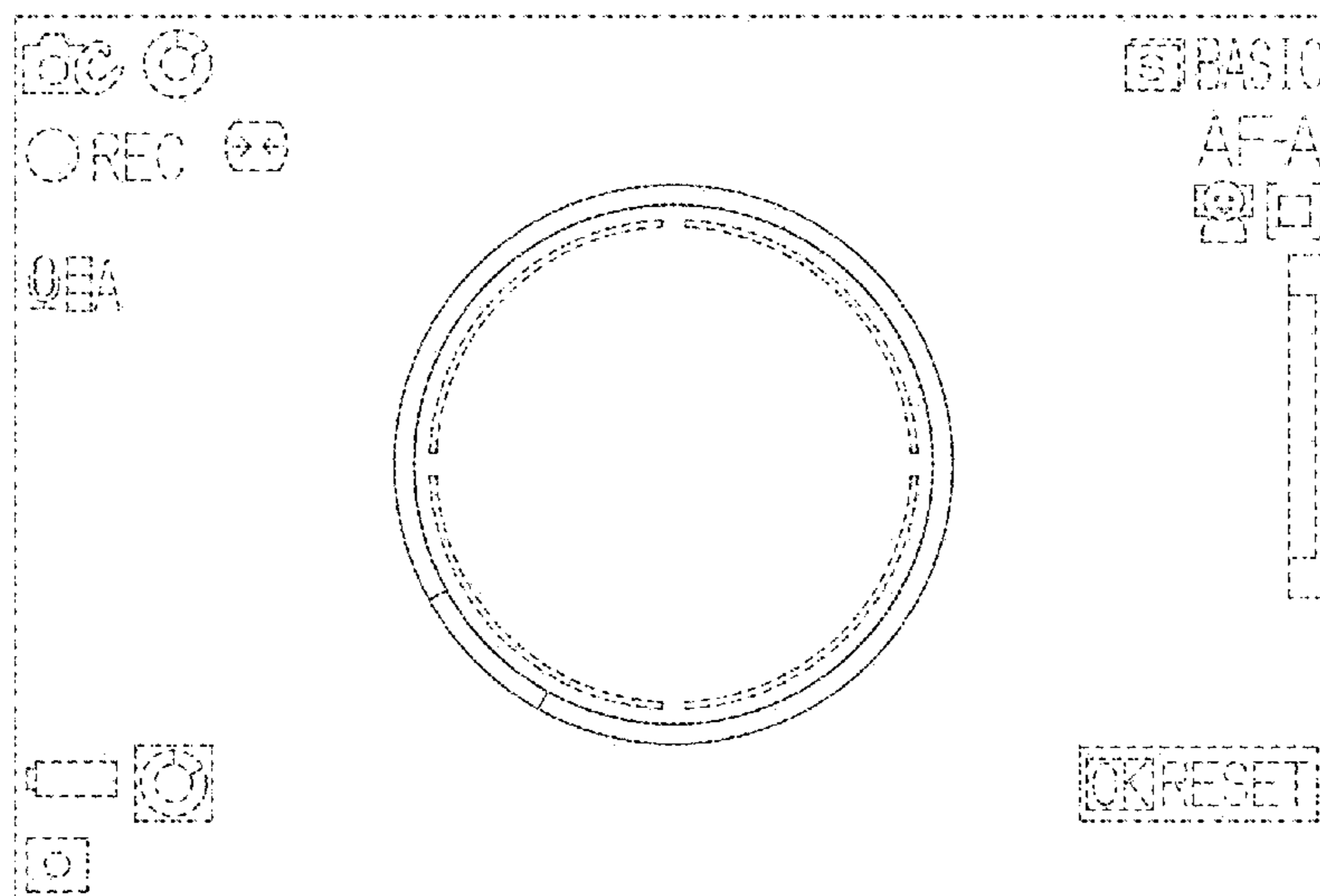




Fig.7

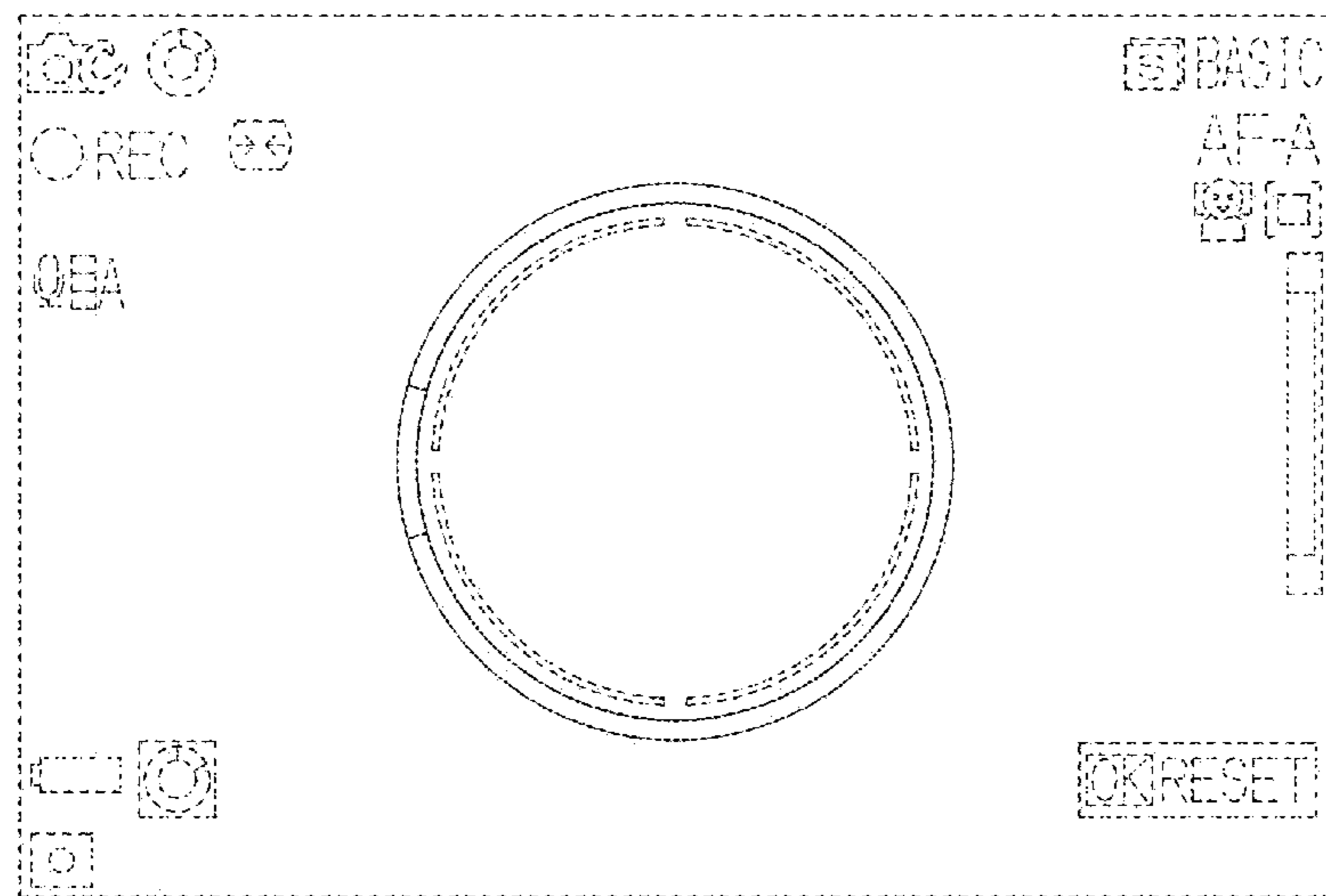


Fig.8

