



US00D765665S

(12) **United States Design Patent** (10) **Patent No.:** **US D765,665 S**  
**Tamura et al.** (45) **Date of Patent:** **\*\* Sep. 6, 2016**

(54) **DISPLAY PANEL OR SCREEN WITH A GRAPHICAL USER INTERFACE**

(71) Applicant: **Sony Corporation**, Tokyo (JP)  
(72) Inventors: **Ayaka Tamura**, Tokyo (JP); **Motoki Higashide**, Tokyo (JP)  
(73) Assignee: **Sony Corporation**, Tokyo (JP)

(\*\*) Term: **14 Years**  
(21) Appl. No.: **29/463,127**  
(22) Filed: **Aug. 6, 2013**

**Related U.S. Application Data**

(63) Continuation of application No. 29/371,446, filed on Feb. 28, 2011, now Pat. No. Des. 689,060.

**Foreign Application Priority Data**

(30) Dec. 28, 2010 (JP) ..... D2010-031511  
Dec. 28, 2010 (JP) ..... D2010-031512  
Dec. 28, 2010 (JP) ..... D2010-031513  
Dec. 28, 2010 (JP) ..... D2010-031514  
Dec. 28, 2010 (JP) ..... D2010-031515  
Dec. 28, 2010 (JP) ..... D2010-031516  
(51) **LOC (10) Cl.** ..... **14-04**  
(52) **U.S. Cl.**  
USPC ..... **D14/485**  
(58) **Field of Classification Search**  
USPC ..... D14/485-495; 715/700, 703, 716, 726,  
715/730, 732, 771, 773, 779, 793, 808, 809,  
715/810, 832, 834, 837, 839, 840, 864, 970,  
715/977  
CPC ..... G06F 3/0482; G06F 8/34; G06F 3/04817  
See application file for complete search history.

(56) **References Cited**

U.S. PATENT DOCUMENTS

D398,299 S \* 9/1998 Ballay et al. .... D14/488  
D444,794 S 7/2001 Nashida et al.  
D450,059 S 11/2001 Itou

(Continued)

FOREIGN PATENT DOCUMENTS

JP D1353915 S 3/2009  
JP D1356231 S 4/2009

(Continued)

*Primary Examiner* — Angela J Lee

(74) *Attorney, Agent, or Firm* — Michael Best and Friedrich LLP

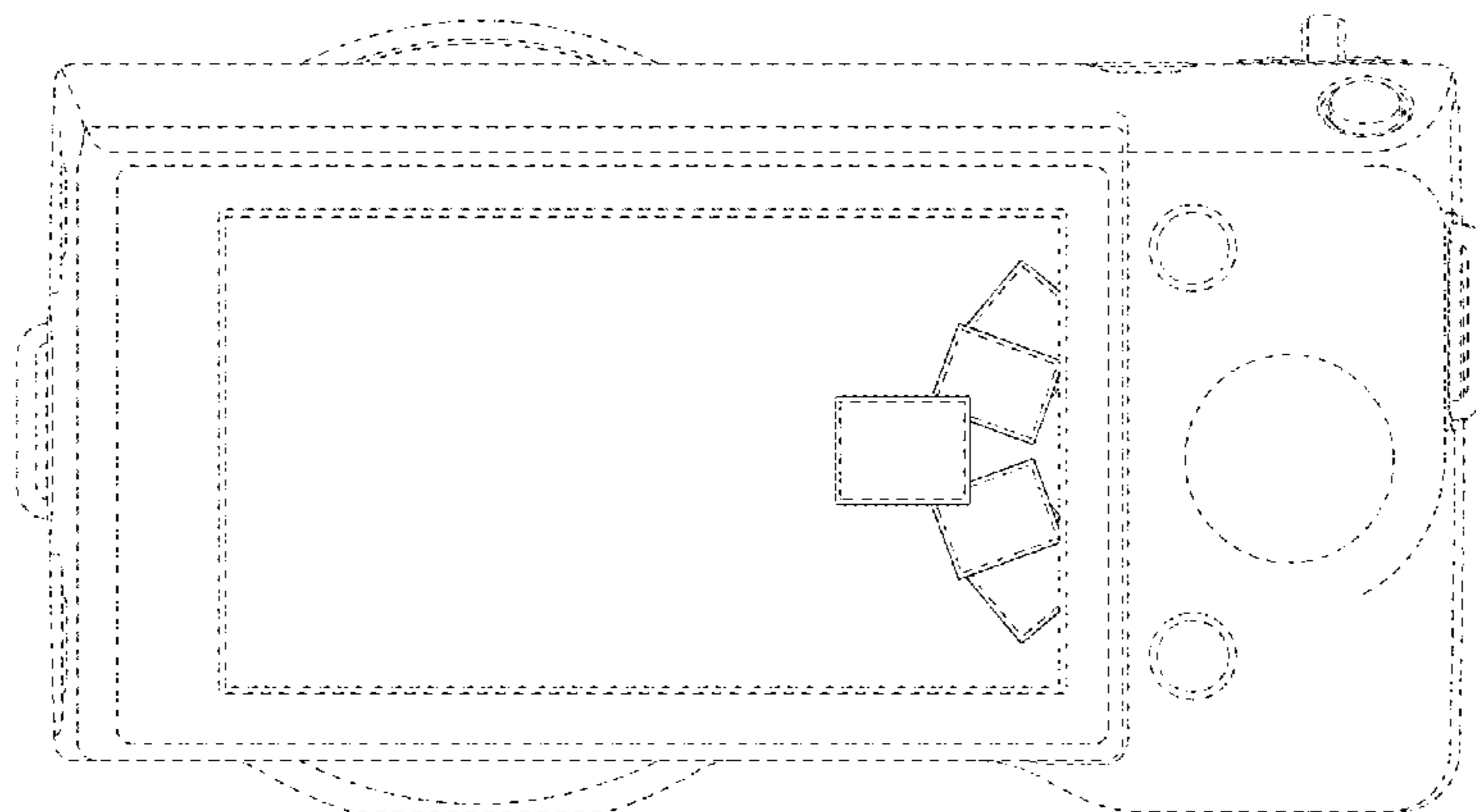
(57) **CLAIM**

The ornamental design for a display panel or screen with a graphical user interface, as shown and described.

**DESCRIPTION**

FIG. 1 is a front elevational view of a first image of a display panel or screen with a graphical user interface showing our new design;  
FIG. 2 is a front elevational view of a second image thereof;  
FIG. 3 is a front elevational view of a third image thereof;  
FIG. 4 is a front elevational view of a fourth image thereof;  
and,  
FIG. 5 is a front elevational view of a fifth image thereof.  
The appearance of the image transitions between the images shown in FIGS. 1-5. The process or period in which an image transitions to another forms no part of the claimed design. The broken line showing of a display panel or screen, and other elements forms no part of the claimed design.  
The broken lines shown in the drawings represent portions of the display panel or screen with graphical user interface that form no part of the claimed design.

**1 Claim, 5 Drawing Sheets**



(56)

References Cited

U.S. PATENT DOCUMENTS

D459,361 S 6/2002 Inagaki  
 D472,902 S 4/2003 Nashida et al.  
 D475,064 S 5/2003 Nashida et al.  
 7,051,291 B2 5/2006 Sciammarella et al.  
 D555,662 S \* 11/2007 Nagata et al. .... D14/487  
 D555,664 S \* 11/2007 Nagata et al. .... D14/488  
 D559,855 S 1/2008 Sato et al.  
 D573,605 S \* 7/2008 Amacker ..... D14/488  
 7,437,005 B2 10/2008 Drucker et al.  
 D591,765 S \* 5/2009 Amacker ..... D14/488  
 D593,577 S 6/2009 Baurmann et al.  
 D594,026 S 6/2009 Ball et al.  
 D604,318 S \* 11/2009 Hoefnagels et al. .... D14/488  
 D604,742 S \* 11/2009 Nagata et al. .... D14/486  
 7,657,845 B2 2/2010 Drucker et al.  
 D611,485 S \* 3/2010 Marashi ..... D14/485  
 D612,391 S \* 3/2010 Fletcher et al. .... D14/486  
 7,698,658 B2 4/2010 Ohwa et al.  
 D633,920 S 3/2011 Luke et al.  
 D637,198 S \* 5/2011 Furuya et al. .... D14/486  
 D637,606 S 5/2011 Luke et al.  
 D645,877 S \* 9/2011 Cavanaugh et al. .... D14/488  
 D663,312 S \* 7/2012 David et al. .... D14/487  
 8,429,530 B2 \* 4/2013 Neuman et al. .... 715/716  
 D682,842 S \* 5/2013 Kurata et al. .... D14/485  
 D686,633 S \* 7/2013 Kluttz et al. .... D14/485

D689,060 S \* 9/2013 Tamura et al. .... D14/485  
 D690,310 S \* 9/2013 Brinda et al. .... D14/485  
 D698,813 S \* 2/2014 Brown ..... D14/488  
 2001/0035875 A1 11/2001 Suzuki et al.  
 2002/0054157 A1 5/2002 Hayashi et al.  
 2008/0120571 A1 5/2008 Chang et al.  
 2008/0155414 A1 \* 6/2008 Matsuo ..... 715/716  
 2008/0155475 A1 6/2008 Duhig  
 2009/0083668 A1 3/2009 Aizawa et al.  
 2010/0281374 A1 11/2010 Schulz et al.  
 2011/0099473 A1 4/2011 Son et al.  
 2011/0126155 A1 \* 5/2011 Krishnaraj et al. .... 715/811  
 2011/0126156 A1 5/2011 Krishnaraj et al.  
 2011/0131531 A1 6/2011 Russell et al.  
 2011/0225522 A1 9/2011 Kamiyama et al.  
 2012/0311498 A1 \* 12/2012 Kluttz et al. .... 715/825  
 2013/0174079 A1 \* 7/2013 Morley et al. .... 715/773  
 2014/0047389 A1 \* 2/2014 Aarabi ..... 715/834  
 2014/0096065 A1 \* 4/2014 Kumamoto ..... 715/779

FOREIGN PATENT DOCUMENTS

JP D1359571 S 5/2009  
 JP D1364051 S 7/2009  
 JP D1374286 S 11/2009  
 JP D1381735 S 3/2010  
 JP D1388571 S 5/2010  
 KR 300586681.0000 A 1/2011

\* cited by examiner

FIG.1

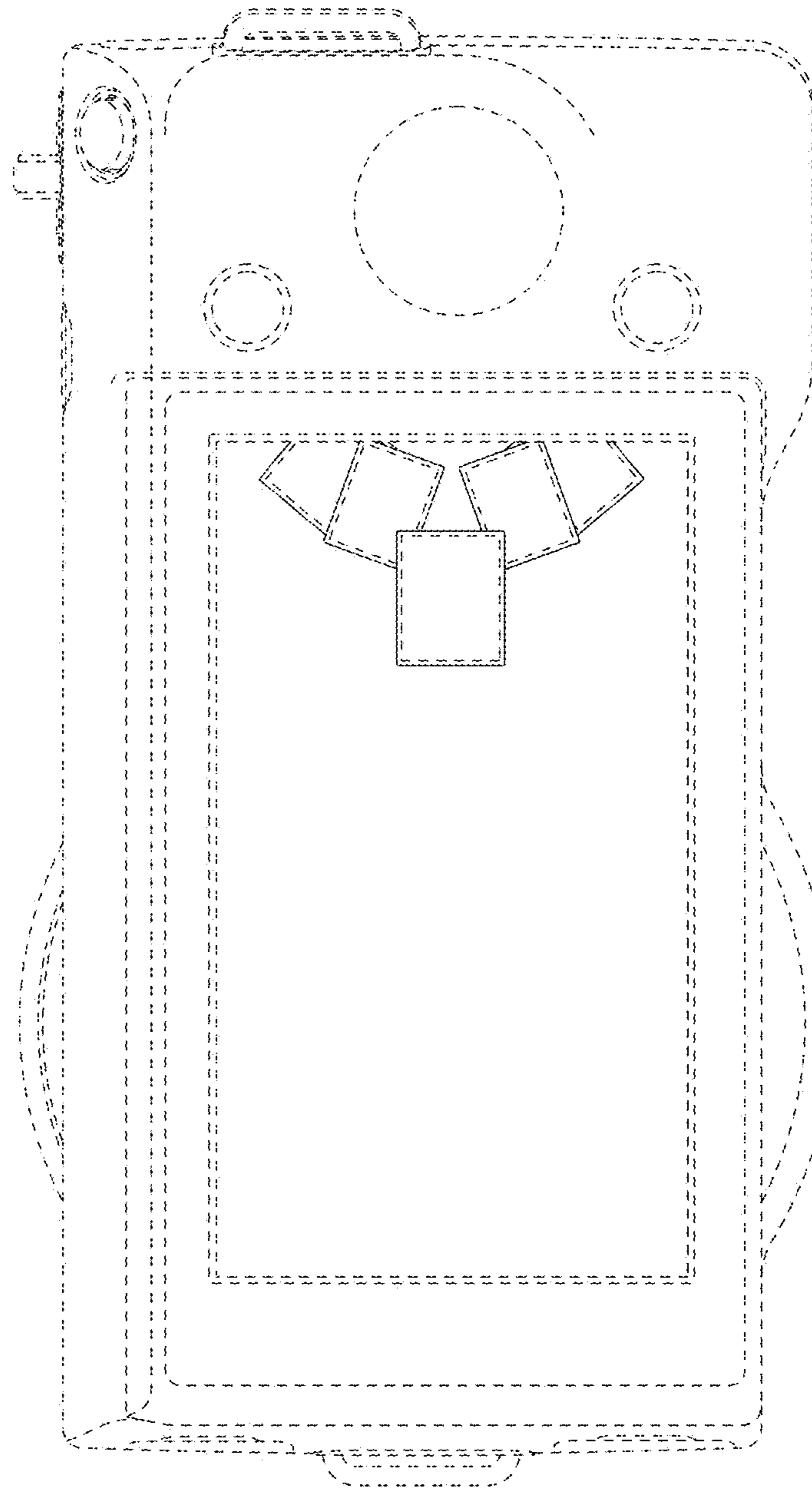


FIG.2

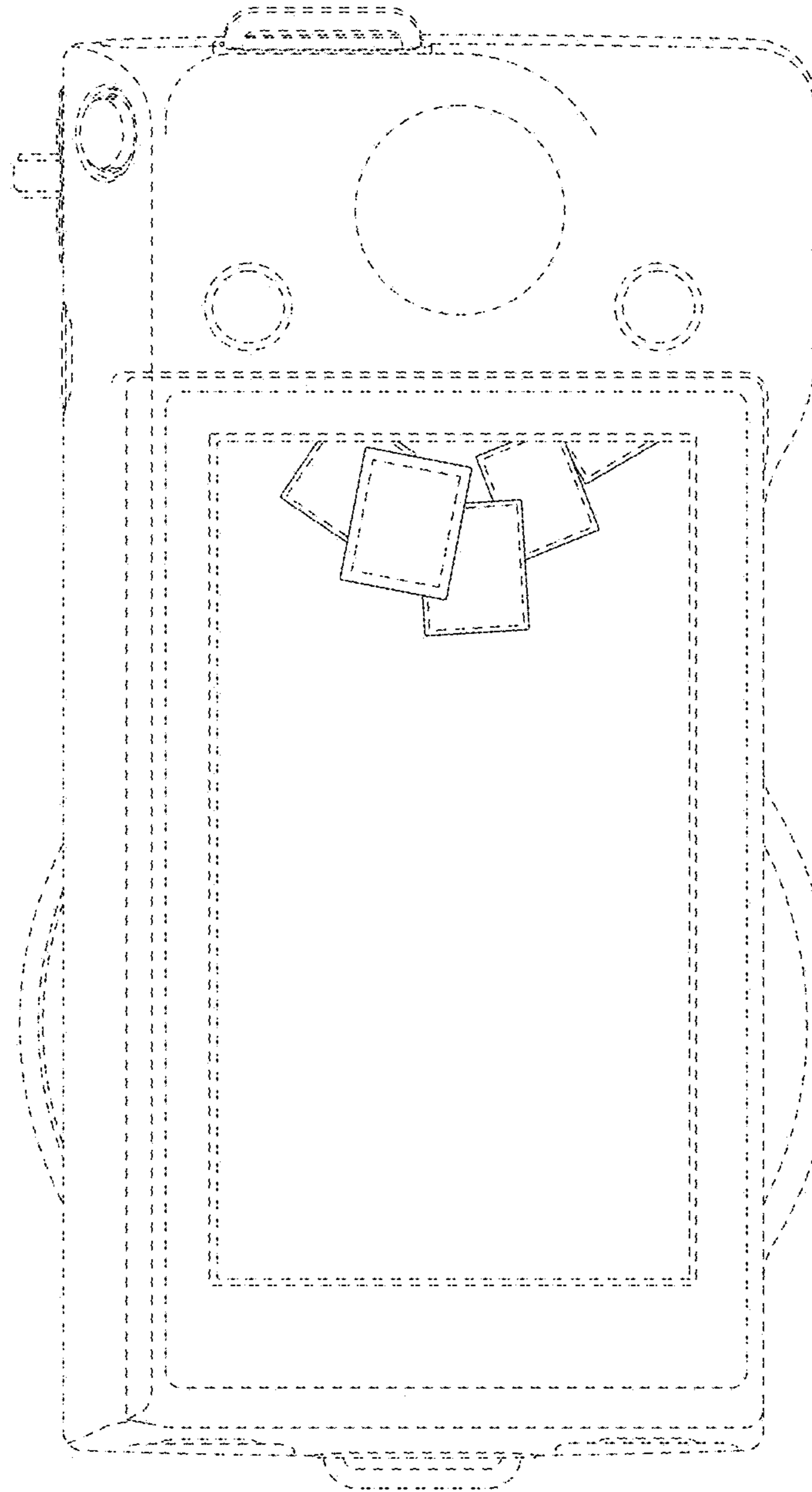


FIG.3

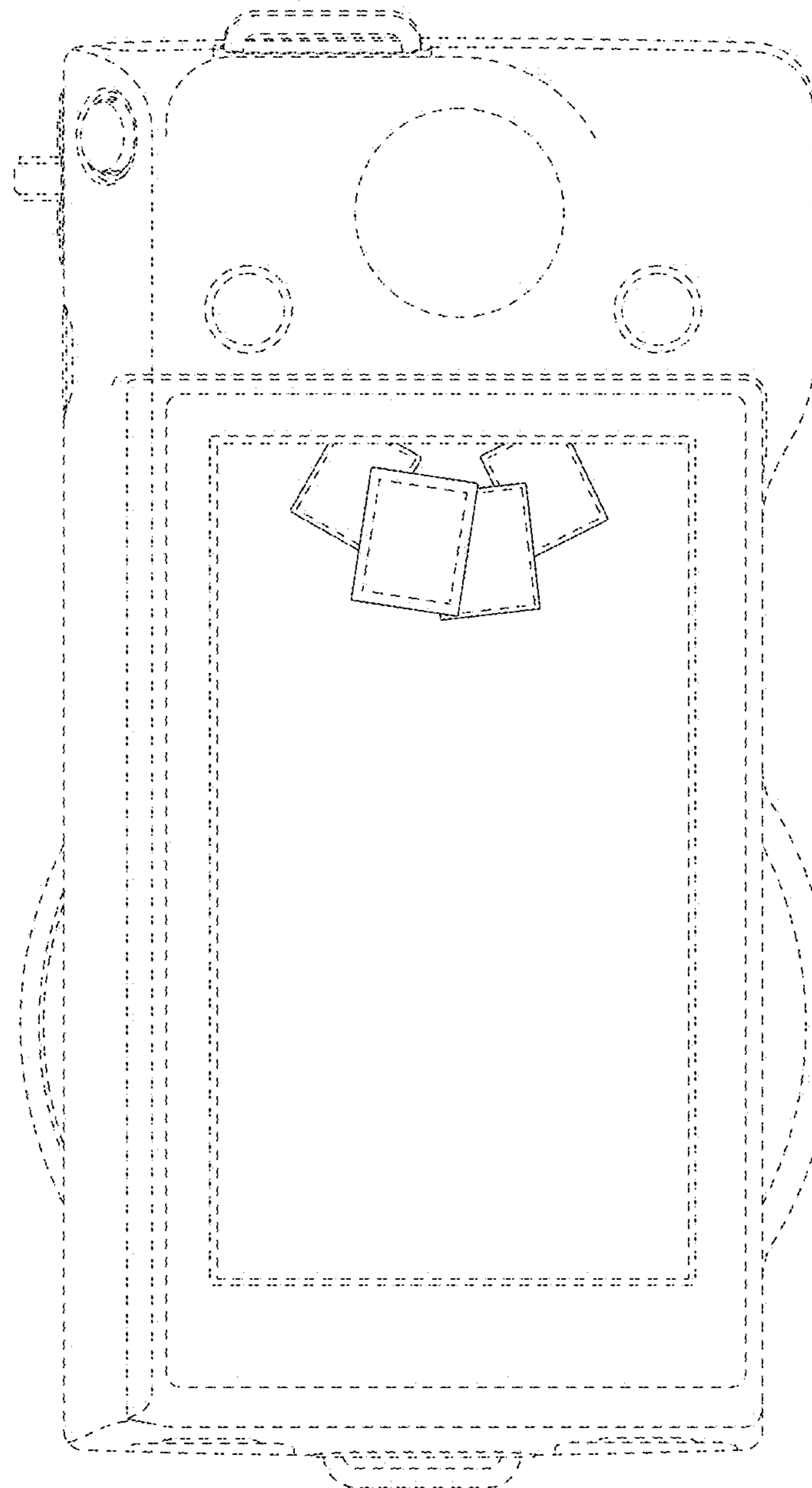




FIG.4

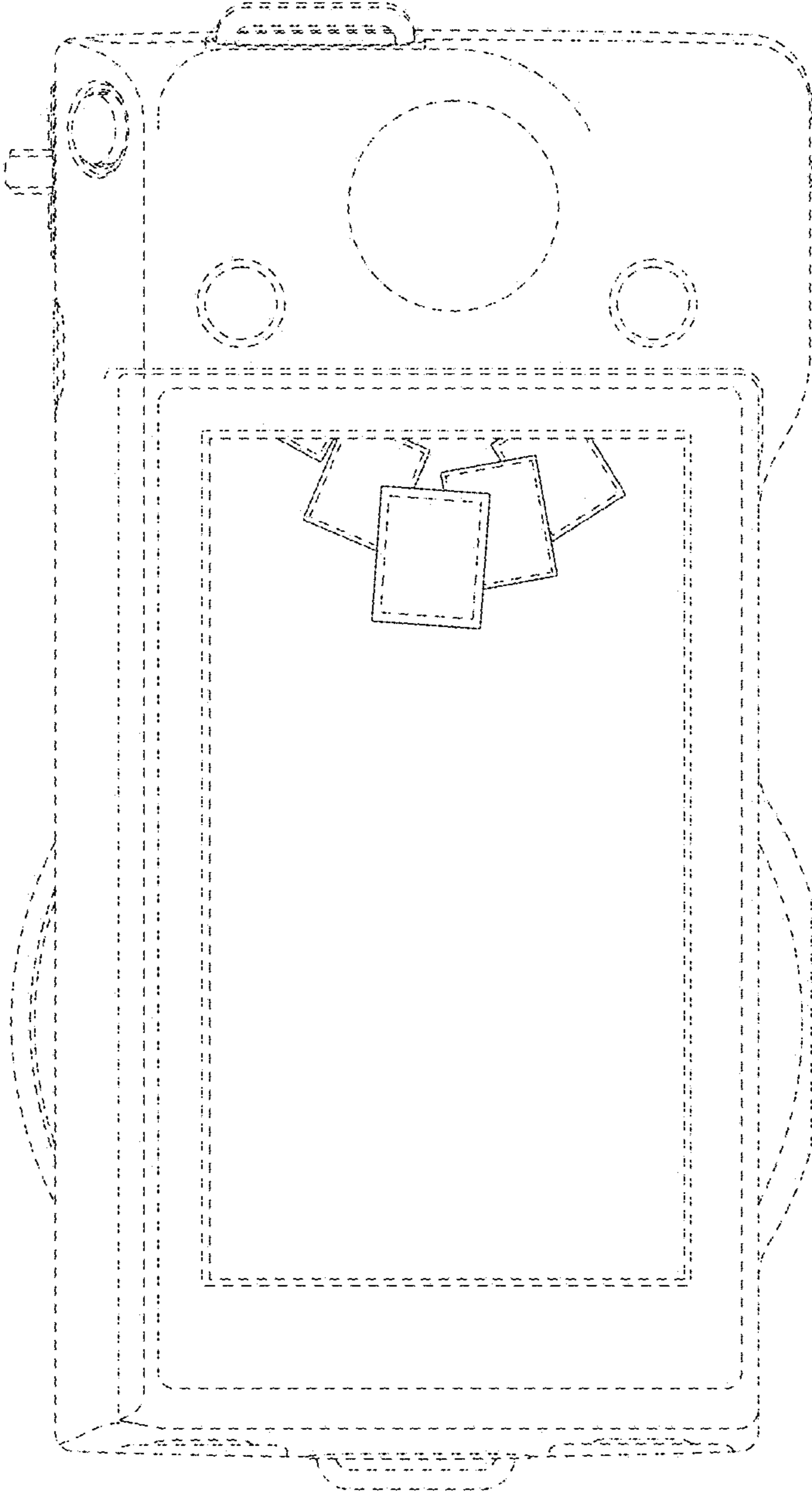


FIG.5

