



US00D765663S

(12) **United States Design Patent**
Shih et al.

(10) **Patent No.:** **US D765,663 S**

(45) **Date of Patent:** **** Sep. 6, 2016**

(54) **PROTECTIVE COVER FOR A PORTABLE ELECTRONIC DEVICE**

(71) Applicant: **ASUSTeK COMPUTER INC.**, Taipei (TW)

(72) Inventors: **Po-Yang Shih**, Taipei (TW);
Sheng-Chieh Huang, Taipei (TW)

(73) Assignee: **ASUSTEK COMPUTER INC.**, Taipei (TW)

(**) Term: **15 Years**

(21) Appl. No.: **29/528,186**

(22) Filed: **May 27, 2015**

(51) **LOC (10) Cl.** **14-02**

(52) **U.S. Cl.**
USPC **D14/440**

(58) **Field of Classification Search**
USPC D14/250, 440, 447; 206/45.23, 320,
206/45.2; 361/679.55; 294/25; 224/218; 1/1
CPC .. G06F 1/1628; G06F 1/1613; G06F 1/1626;
A47B 23/044
See application file for complete search history.

(56) **References Cited**

U.S. PATENT DOCUMENTS

6,016,248	A *	1/2000	Anzai	G06F 1/1626 248/463
8,173,893	B2 *	5/2012	Huang	A45C 11/00 136/251
D694,245	S *	11/2013	Sanz	D14/440
D703,626	S *	4/2014	Hermansen	D14/126
D706,783	S *	6/2014	Almodova	D14/440
D707,229	S *	6/2014	Almodova	D14/440
8,763,795	B1 *	7/2014	Oten	A45C 11/00 206/320
8,783,458	B2 *	7/2014	Gallagher	F16M 11/105 206/320
8,797,132	B2 *	8/2014	Childs	A45C 11/00 206/320
8,888,063	B2 *	11/2014	Mack	F16M 11/00 248/121

D718,769	S *	12/2014	Bassil	D14/440
8,971,030	B2 *	3/2015	Chen	H04M 1/0214 361/679.26
D727,332	S *	4/2015	Hirsch	D14/440
D730,853	S *	6/2015	Choi	D14/126
D734,340	S *	7/2015	Kim	D14/440
9,128,668	B2 *	9/2015	Johnson	G06F 1/1626
D744,490	S *	12/2015	Hsu	D14/440
9,201,476	B2 *	12/2015	Zhang	G06F 1/203
9,204,718	B2 *	12/2015	Magaudda	A47B 23/044

(Continued)

FOREIGN PATENT DOCUMENTS

TW D154139 S1 6/2013

Primary Examiner — Cynthia Underwood

(74) *Attorney, Agent, or Firm* — Muncy, Geissler, Olds & Lowe, P.C.

(57) **CLAIM**

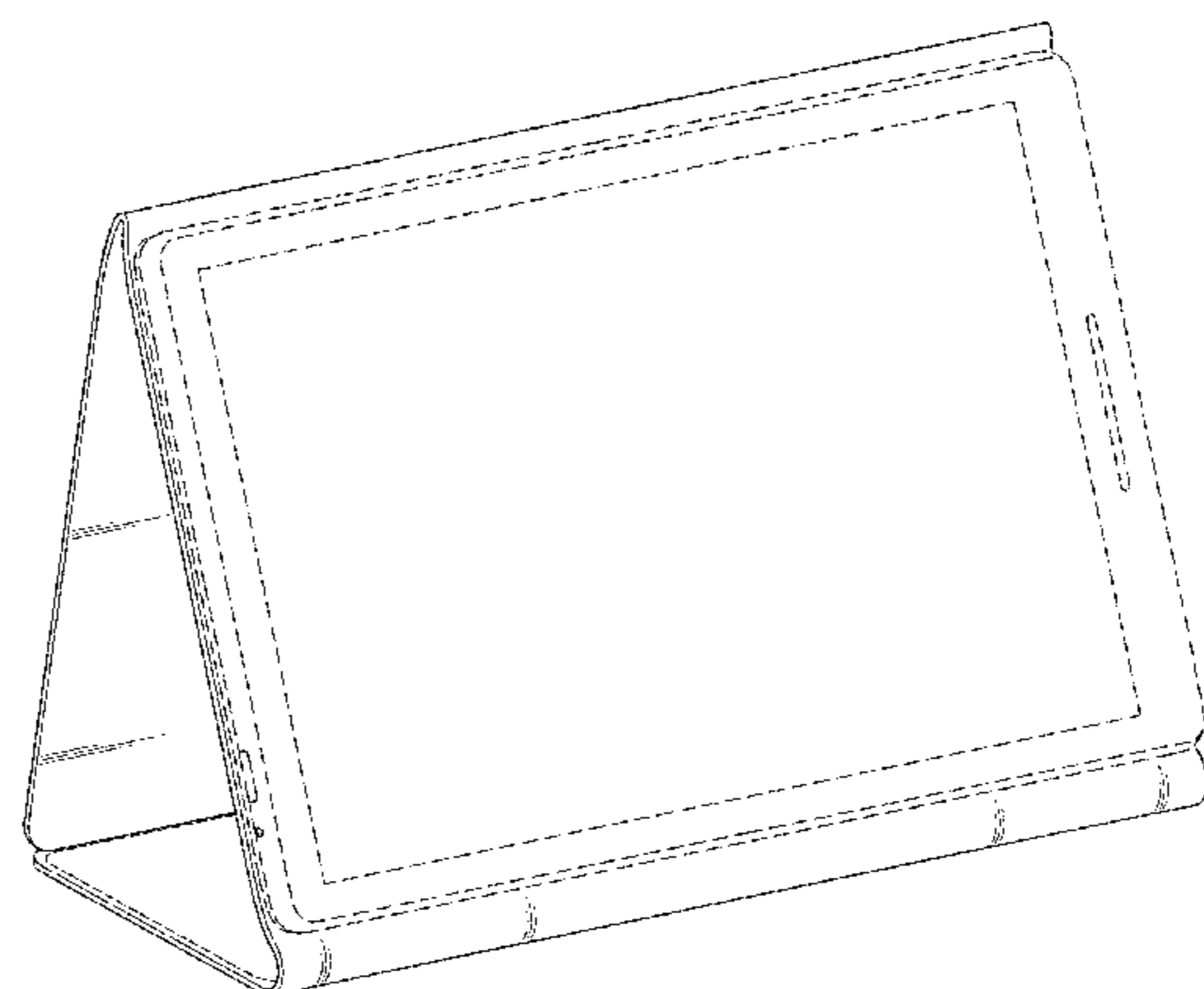
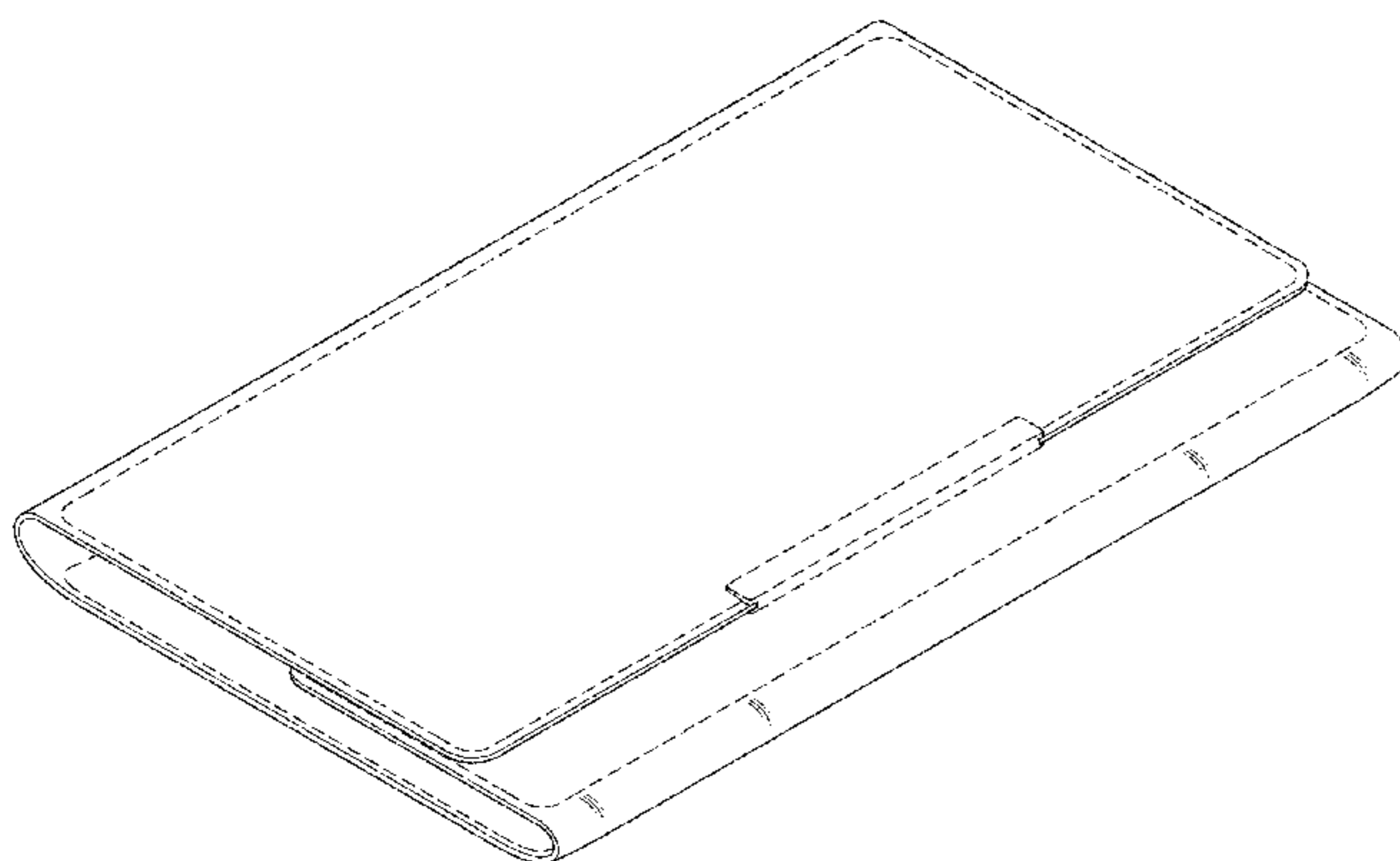
The ornamental design for protective cover for portable electronic device, as shown and described.

DESCRIPTION

FIG. 1 is a top perspective view of a protective cover for portable electronic device showing our new design; FIG. 2 is a front elevational view thereof; FIG. 3 is a rear elevational view thereof; FIG. 4 is a left elevational view thereof; FIG. 5 is a right elevational view thereof; FIG. 6 is a top view thereof; FIG. 7 is a bottom view thereof; FIG. 8 is a perspective view of the protective cover for portable electronic device of FIG. 1 shown in an open condition of use; FIG. 9 is a perspective view of the protective cover for portable electronic device shown open and in another condition of use; and, FIG. 10 is a perspective view of the protective cover for portable electronic device shown open and in another condition of use.

The broken lines represent environment and form no part of the claimed design.

1 Claim, 8 Drawing Sheets



(56)

References Cited

U.S. PATENT DOCUMENTS

D748,097 S *	1/2016	Feng	D14/440	2012/0153116 A1*	6/2012	Harrison	A47B 23/044 248/460
D748,635 S *	2/2016	Hsu	D14/440	2013/0088431 A1*	4/2013	Ballagas	G06F 1/1626 345/168
D750,085 S *	2/2016	Hsu	D14/440	2013/0271373 A1*	10/2013	Milhe	G06F 1/1671 345/168
2010/0110629 A1*	5/2010	Dietz	A45C 11/00 361/679.55	2014/0071654 A1*	3/2014	Chien	H01H 13/704 362/23.03
2011/0285258 A1*	11/2011	Yuan	G06F 1/1626 312/223.2	2015/0001105 A1*	1/2015	Nyholm	A45C 11/00 206/45.2

* cited by examiner

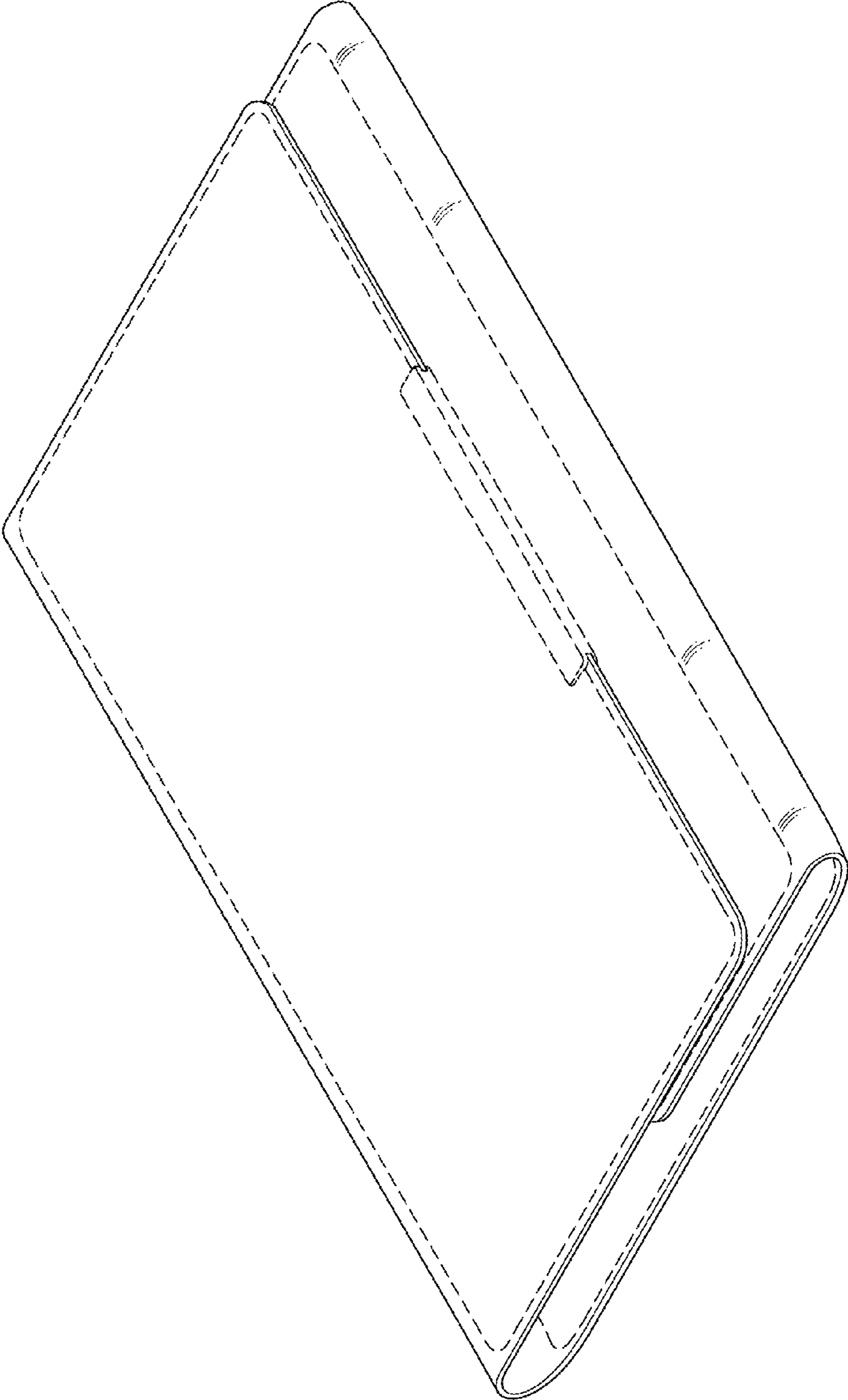


FIG.1

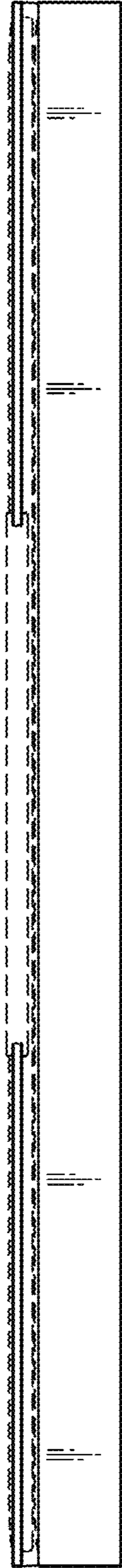


FIG.2



FIG.3



FIG. 4



FIG. 5

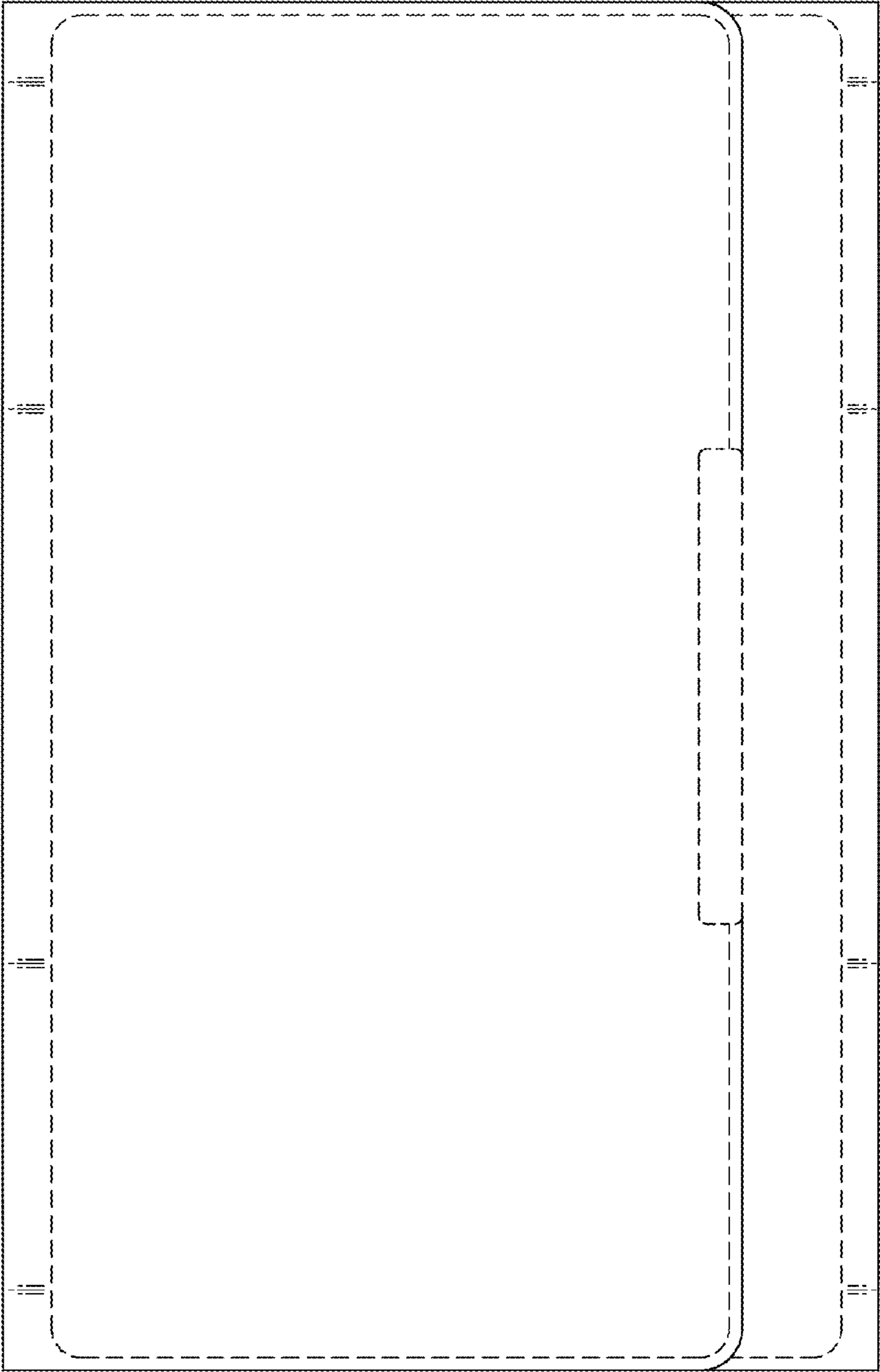


FIG.6

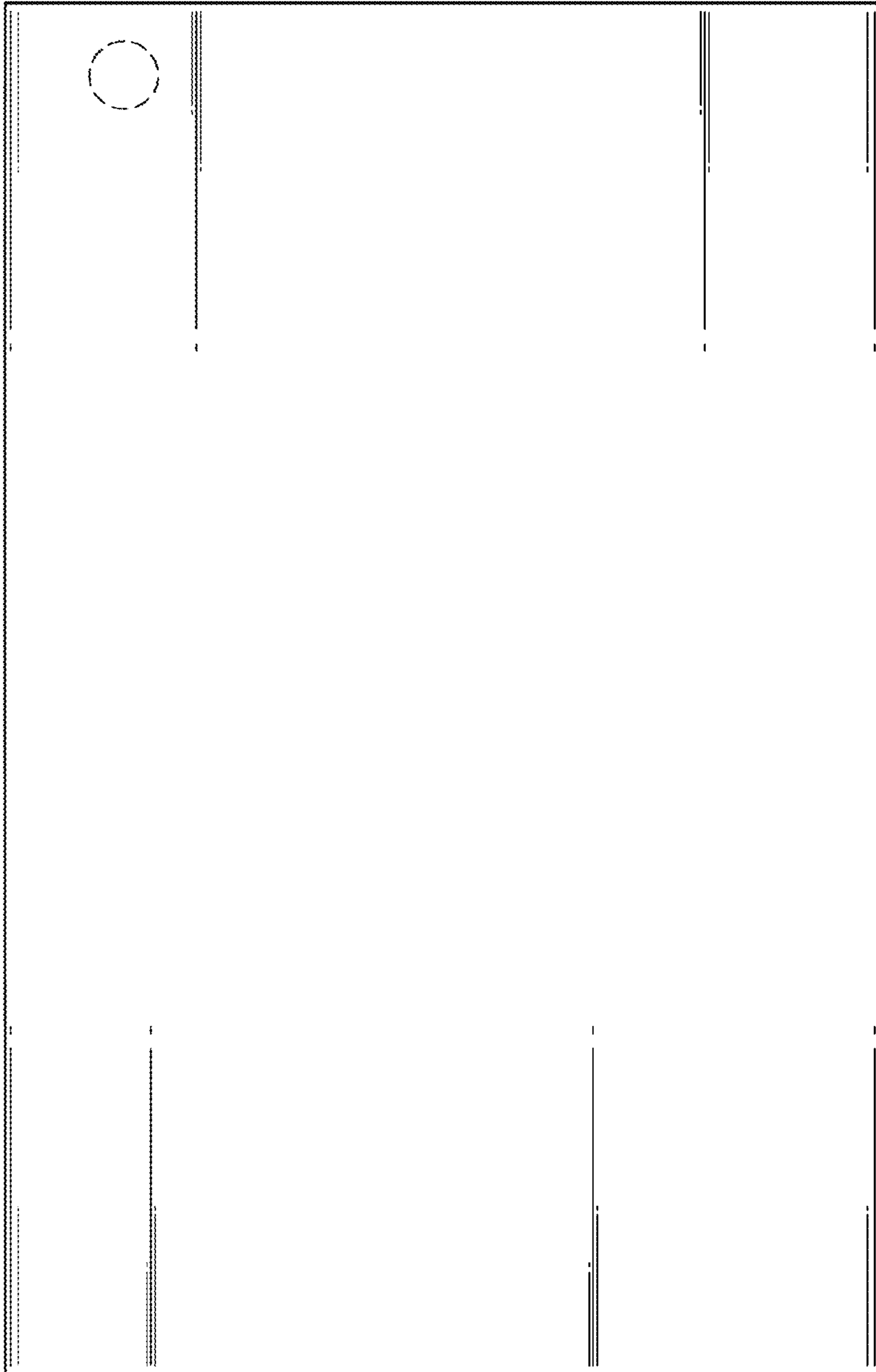


FIG.7

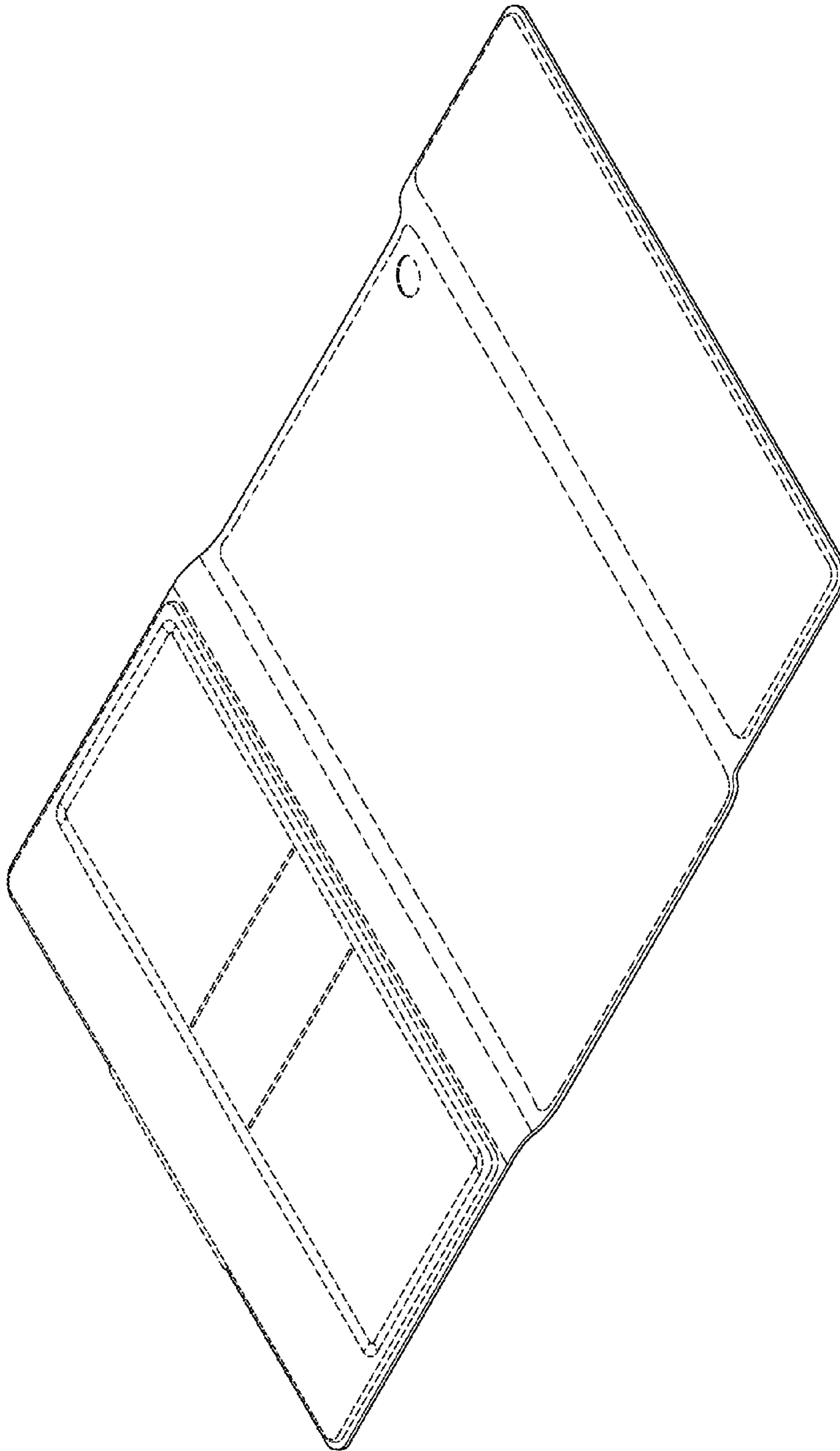


FIG.8

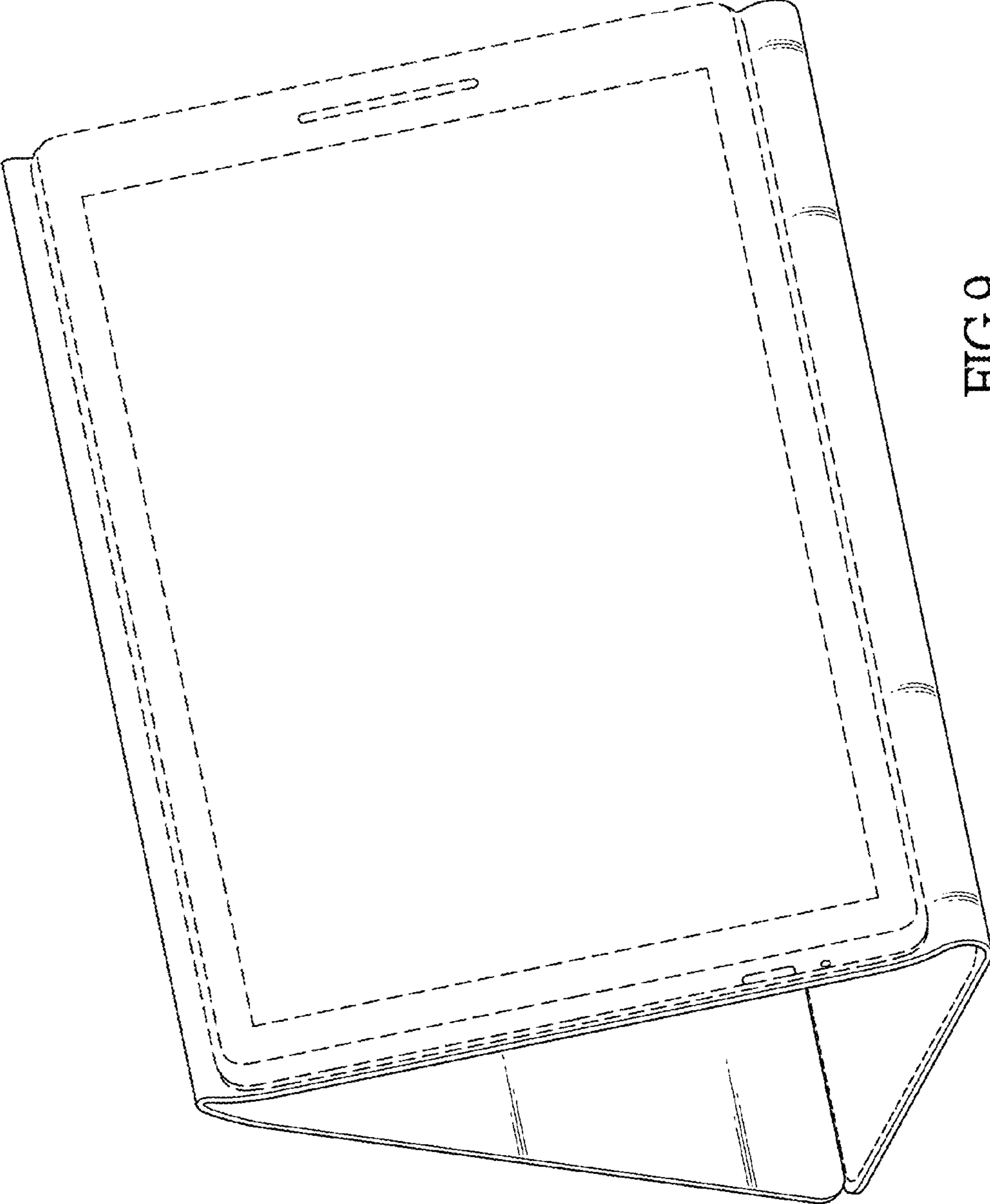


FIG.9

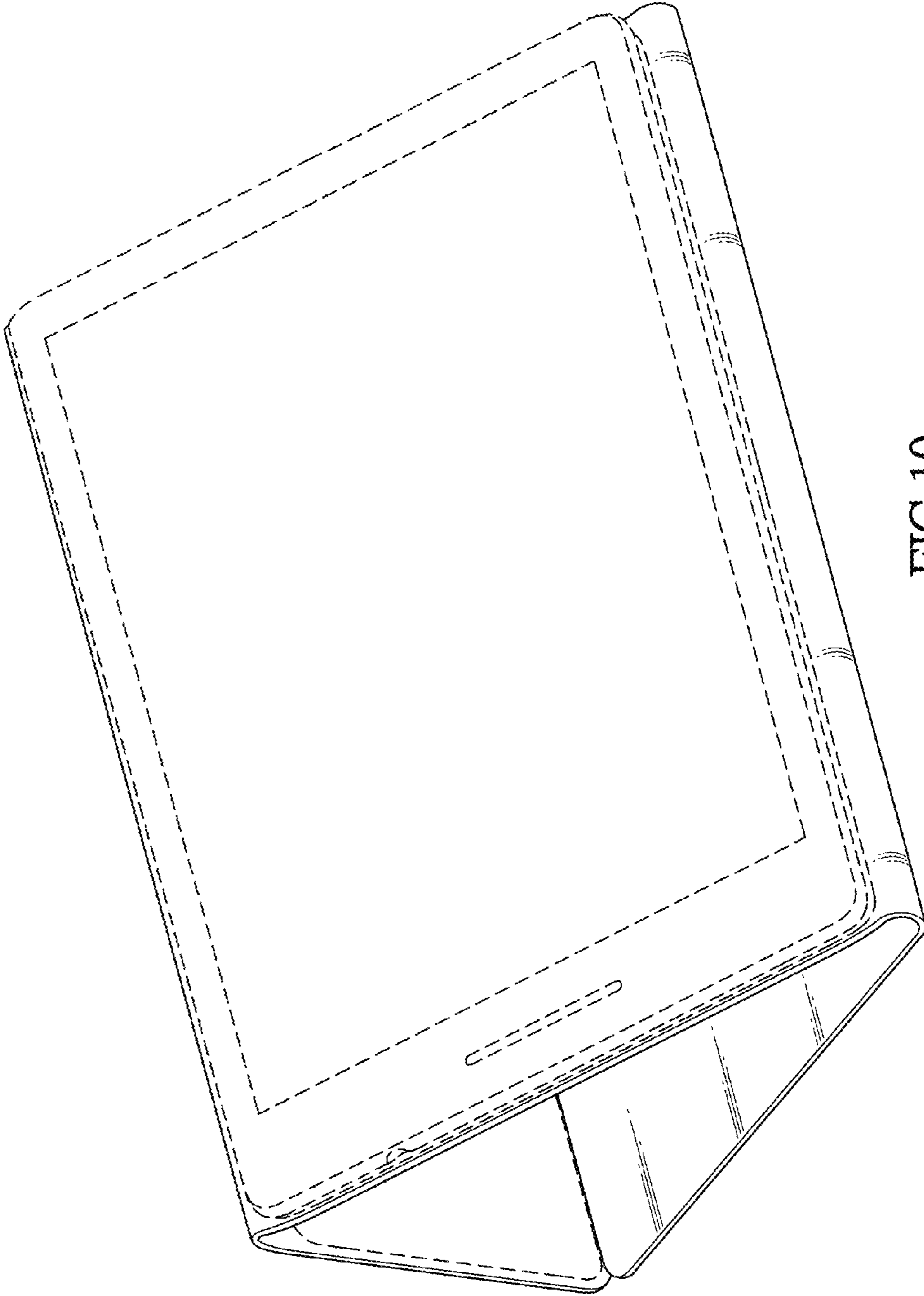


FIG.10