



US00D765662S

(12) **United States Design Patent**
Kang

(10) **Patent No.:** **US D765,662 S**

(45) **Date of Patent:** **** Sep. 6, 2016**

(54) **RING HOLDER ATTACHABLE TO PHONE CASE**

(71) Applicant: **Shinil Kang**, Palisades Park, NJ (US)

(72) Inventor: **Shinil Kang**, Palisades Park, NJ (US)

(**) Term: **15 Years**

(21) Appl. No.: **29/568,008**

(22) Filed: **Jun. 14, 2016**

(51) **LOC (10) Cl.** **14-03**

(52) **U.S. Cl.**
USPC **D14/439**; D14/251

(58) **Field of Classification Search**
USPC D14/137, 147, 203, 217, 230, 238, 240,
D14/248, 251, 252, 253, 344, 345, 432, 433,
D14/439, 447, 451; D16/202, 206, 208,
D16/219; 294/25; 455/575.1, 575.3, 575.6
CPC H04B 1/3888; H04B 1/385; A45F 5/00;
A45F 5/004; A45F 5/021; H04M 1/04
See application file for complete search history.

(56) **References Cited**

U.S. PATENT DOCUMENTS

D281,163 S *	10/1985	Robinson	D14/439
D371,735 S *	7/1996	Motta	D6/535
D376,308 S *	12/1996	Lee	D8/354
D393,098 S *	3/1998	Adams	D26/138
D489,375 S *	5/2004	Stapleton	D14/439
6,869,053 B2 *	3/2005	Adams, IV	F16B 47/00 248/206.2
D518,060 S *	3/2006	Chen	D14/432
D562,827 S *	2/2008	Dongen	D14/439
D578,868 S *	10/2008	Ramakers	D8/354
D613,291 S *	4/2010	Carver	D14/218
D616,285 S *	5/2010	Kimber	D8/14
D672,341 S	12/2012	Mo	
D693,818 S *	11/2013	Webber	D14/439
D693,819 S *	11/2013	Cocquyt	D14/439

D696,673 S *	12/2013	Vogel	D14/447
8,672,374 B1 *	3/2014	Webber	F16M 11/041 224/217
D715,803 S	10/2014	Major	
D719,961 S *	12/2014	Xiang	D14/447
D733,147 S *	6/2015	Stevens	D14/439
D739,853 S	9/2015	Lee	
D748,615 S	2/2016	Lee et al.	
D749,069 S *	2/2016	Senoff	D14/251
D749,083 S *	2/2016	Senoff	D14/451
D749,559 S *	2/2016	Senoff	D14/251
D757,705 S	5/2016	Esses	
2011/0284599 A1 *	11/2011	Sternick	A45F 5/00 224/191

* cited by examiner

Primary Examiner — Austin Murphy

(74) *Attorney, Agent, or Firm* — IPLA P.A.; James E. Bame

(57) **CLAIM**

The ornamental design for a ring holder attachable to a phone case, as shown and described.

DESCRIPTION

FIG. 1 is a perspective view of a ring holder attachable to a phone case showing my new design according to a first embodiment;

FIG. 2 is a top plan view thereof;

FIG. 3 is a front elevational view thereof;

FIG. 4 is a left side elevational view thereof;

FIG. 5 is a right side elevational view thereof;

FIG. 6 is a perspective view of a ring holder attachable to a phone case showing my new design according to a second embodiment;

FIG. 7 is a top plan view of FIG. 6;

FIG. 8 is a front elevational view of FIG. 6;

FIG. 9 is a left side elevational view of FIG. 6; and,

FIG. 10 is a right side elevational view of FIG. 6.

The broken line showing of environment is for illustrative purposes only and forms no part of the claimed design.

1 Claim, 6 Drawing Sheets

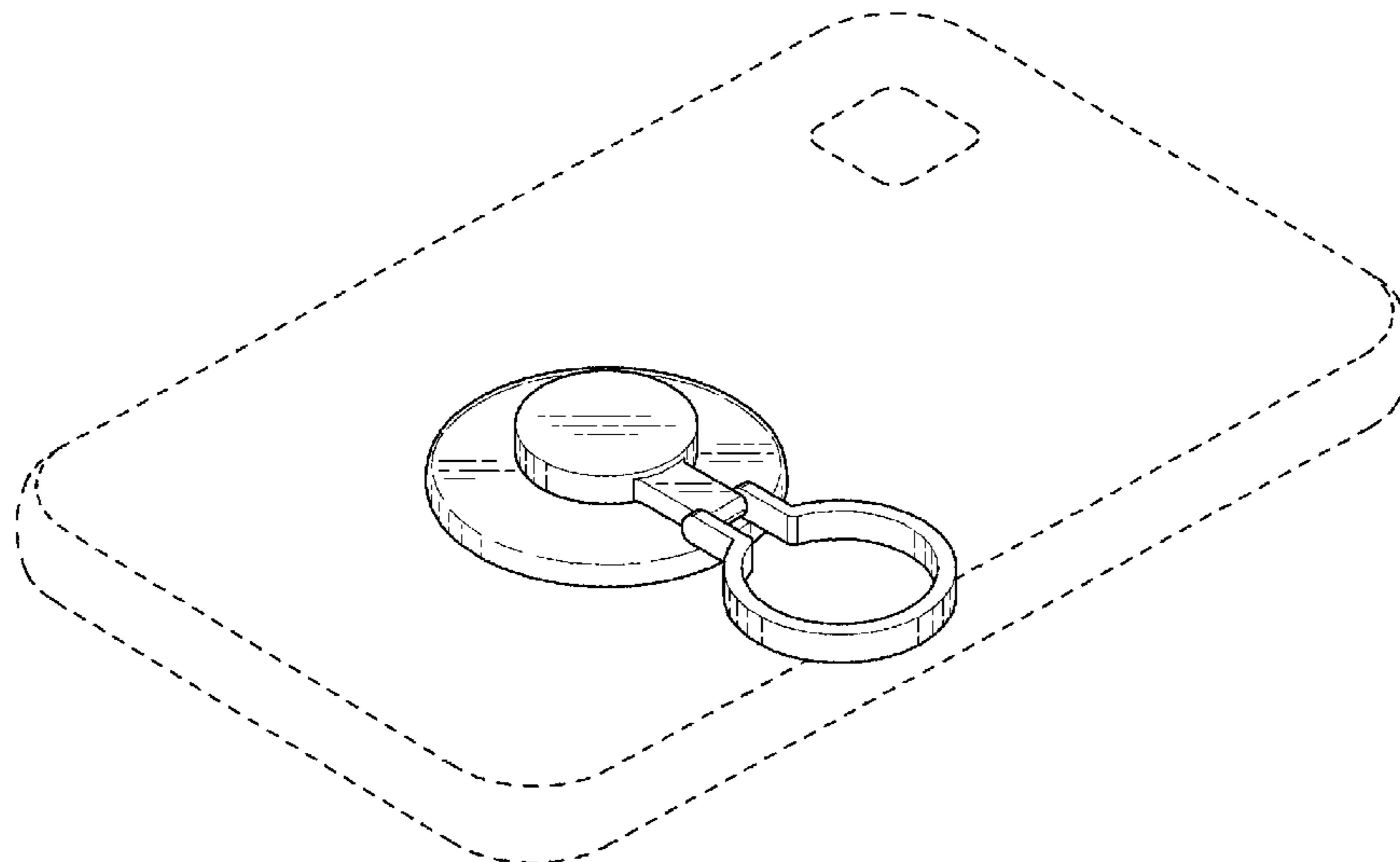


FIG. 1

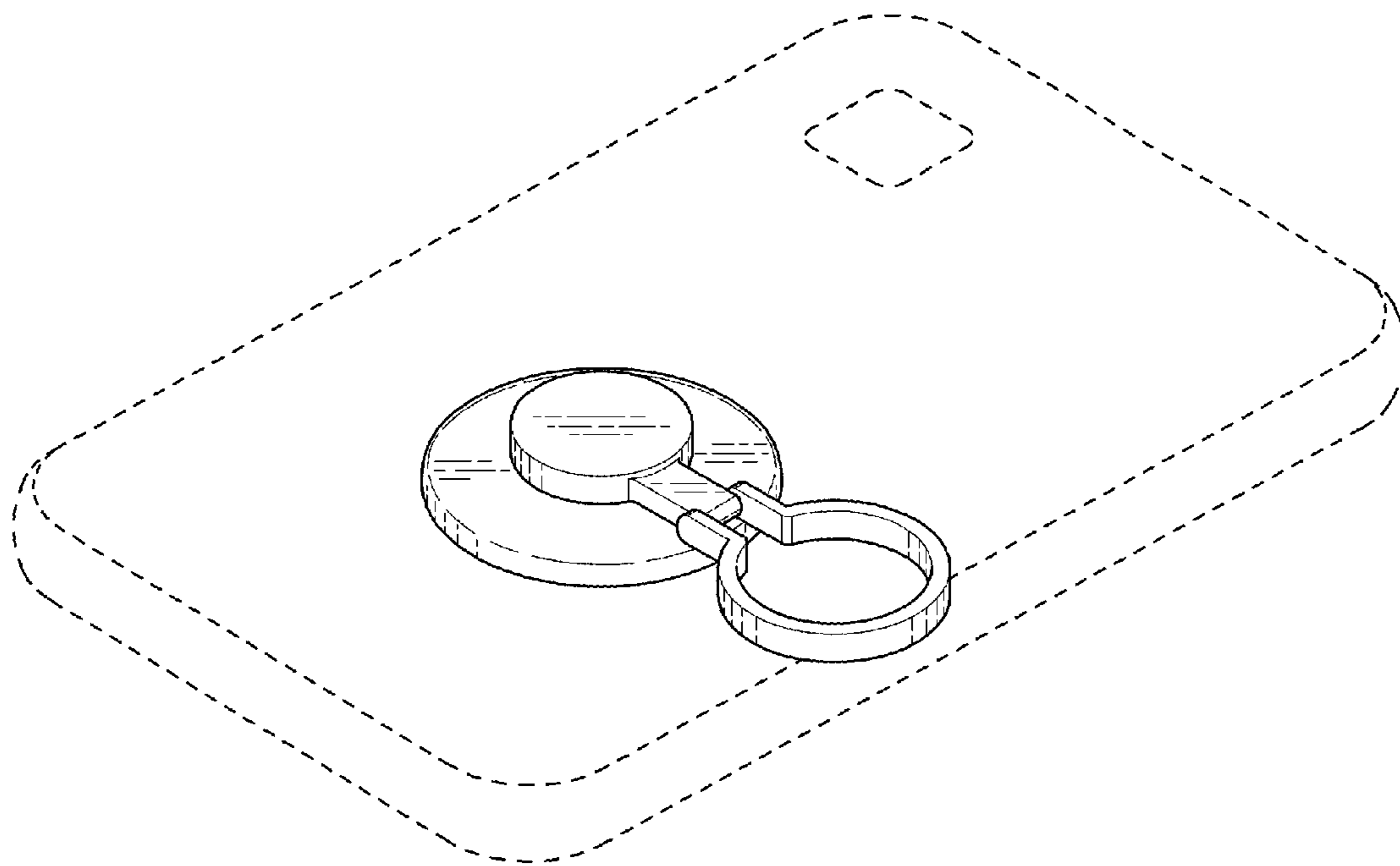


FIG. 2

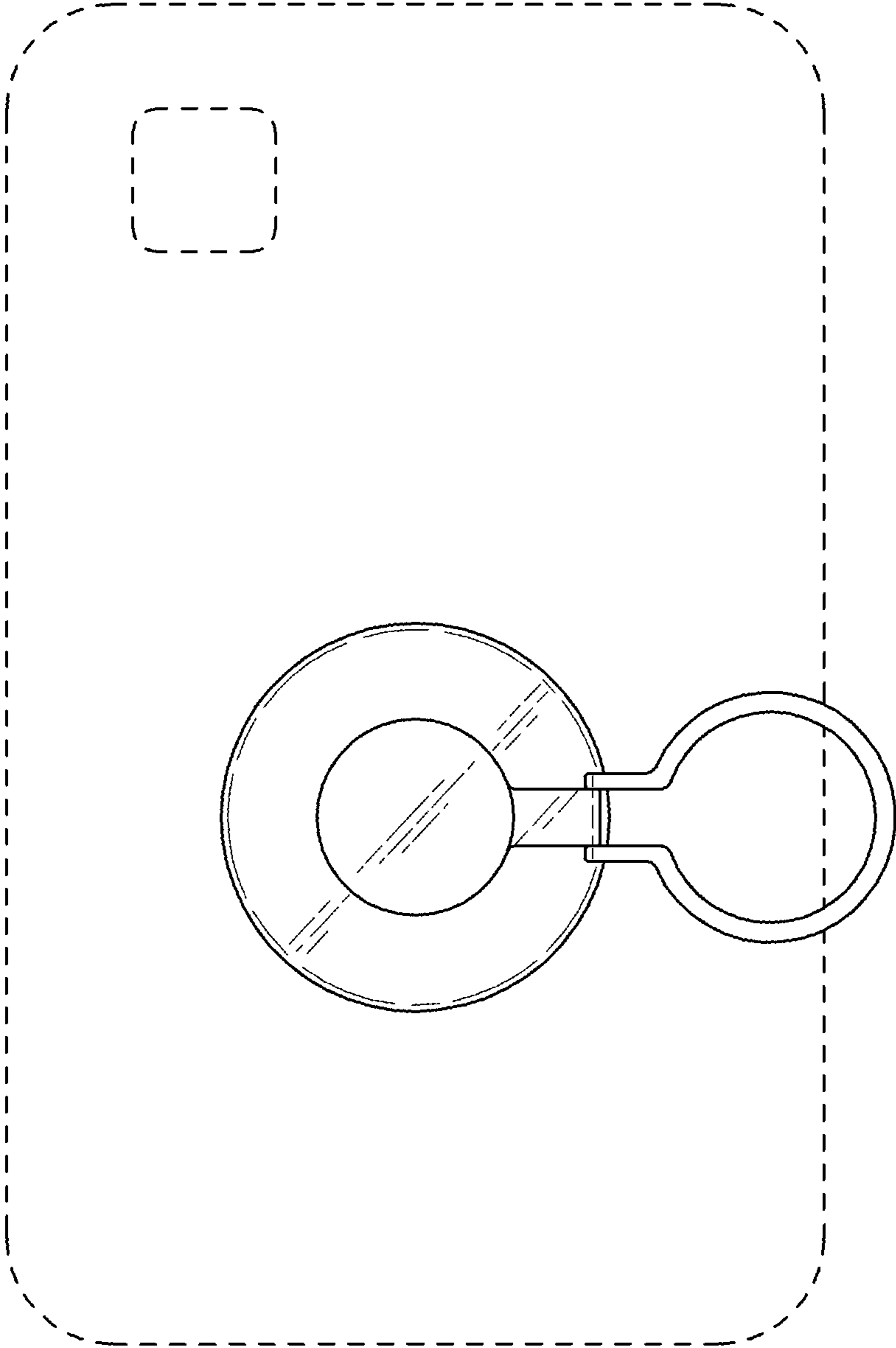


FIG. 3

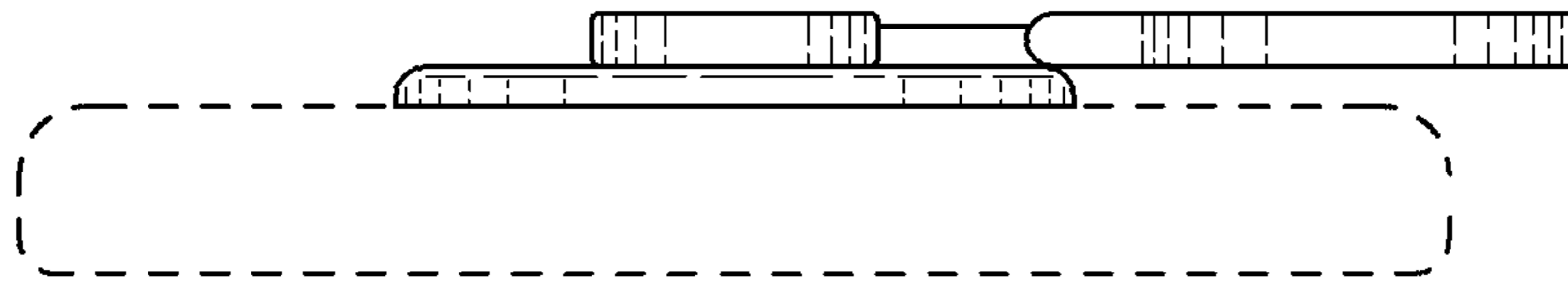


FIG. 4

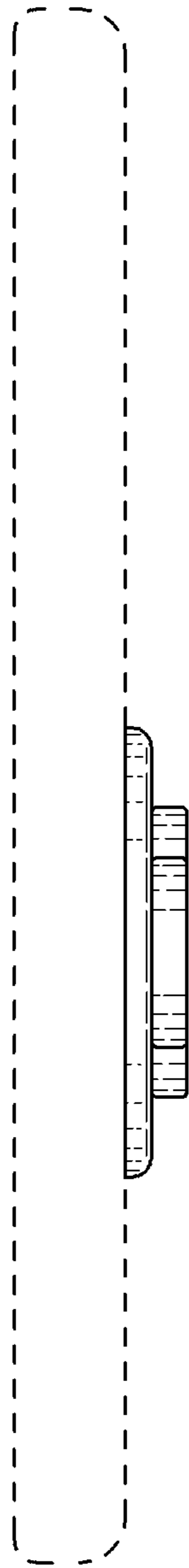


FIG. 5

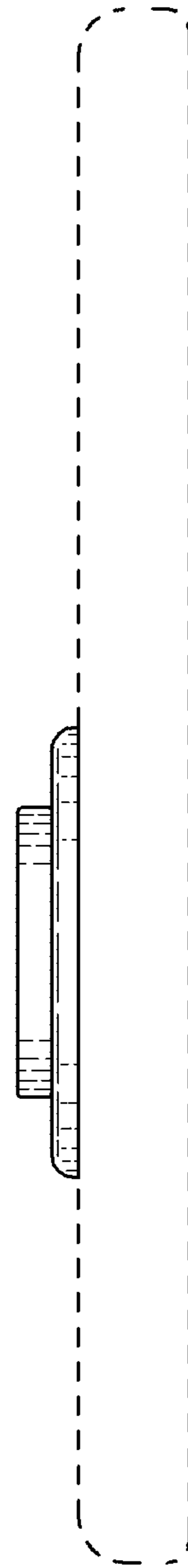


FIG. 6

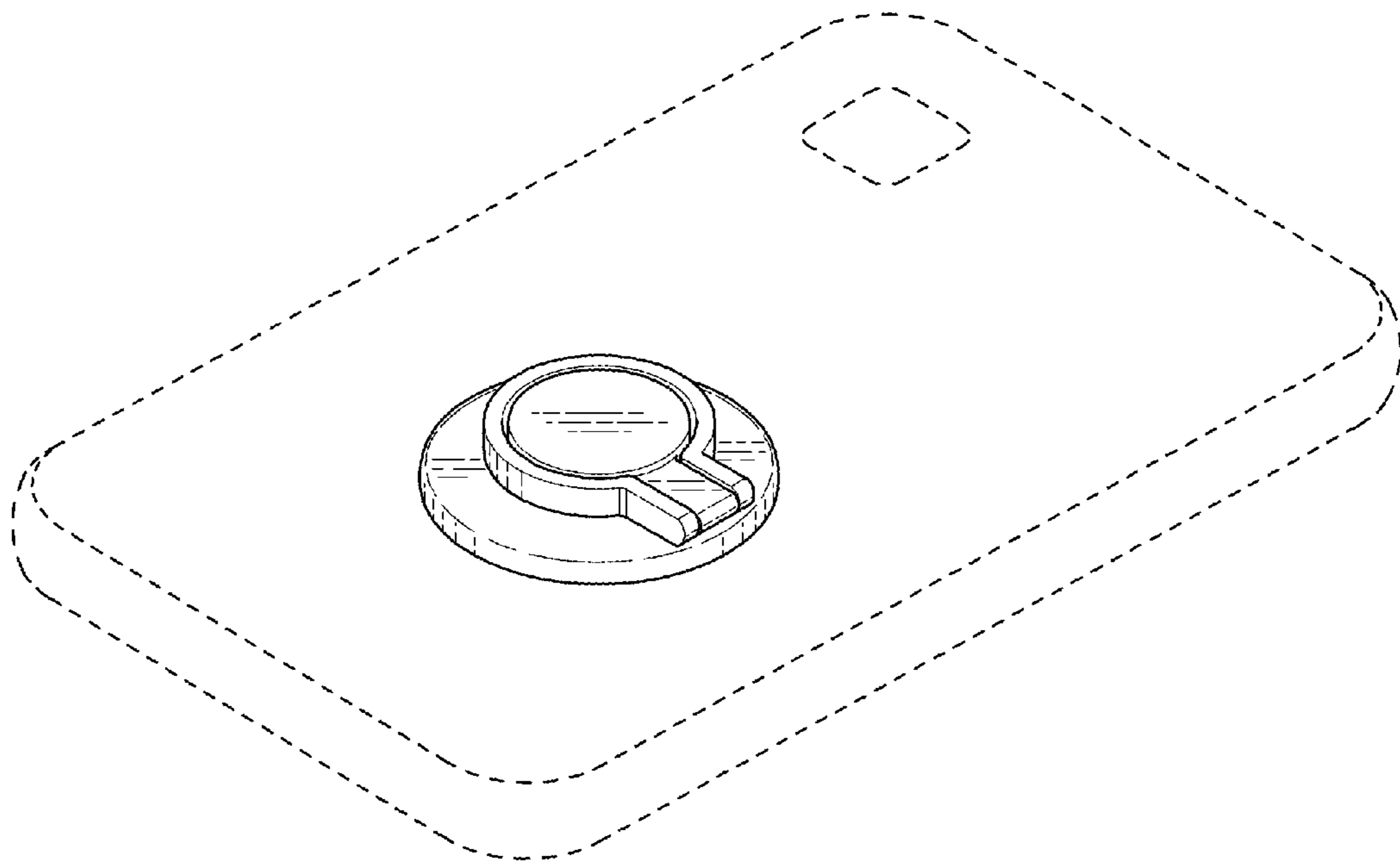


FIG. 7

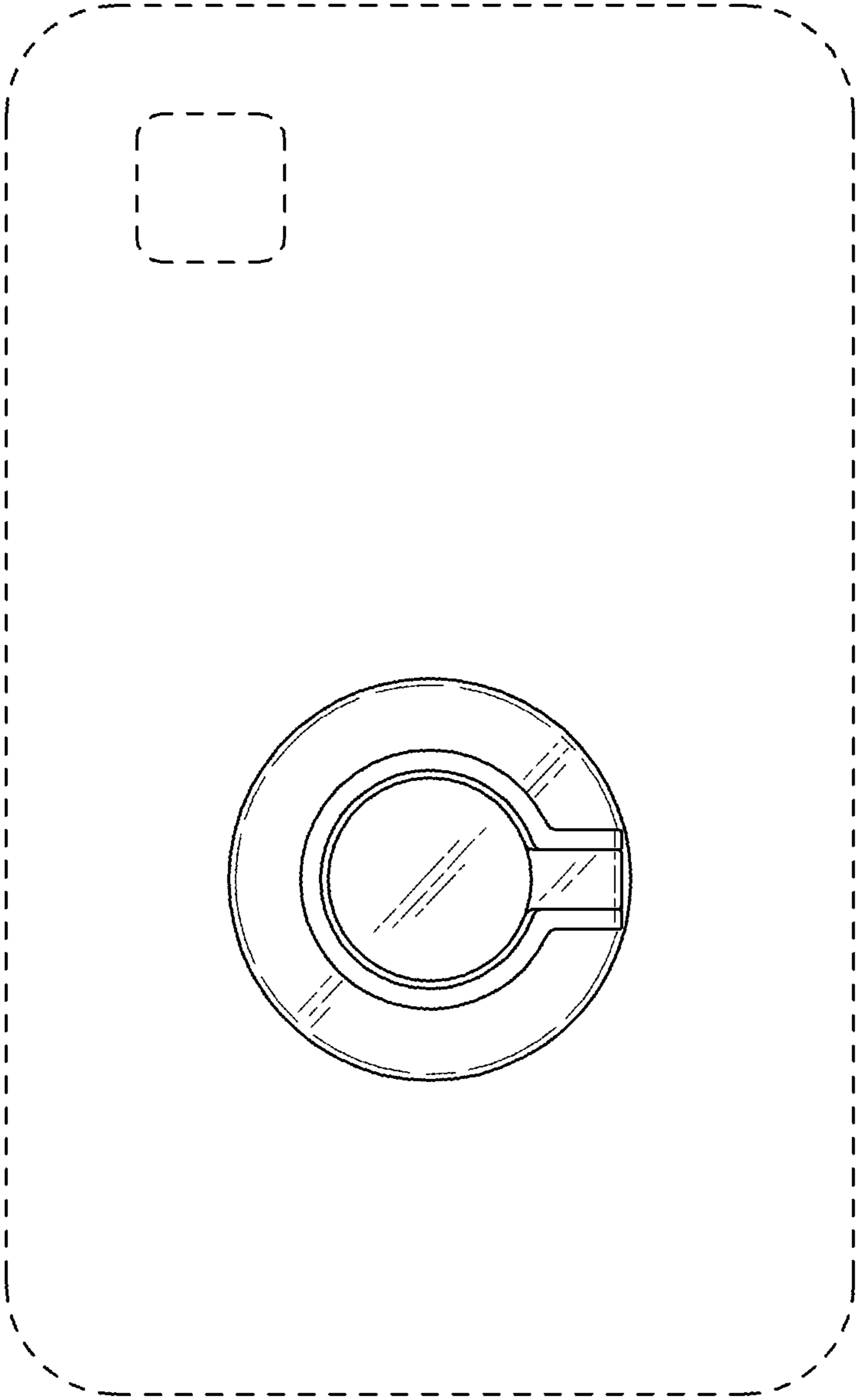


FIG. 8



FIG. 9

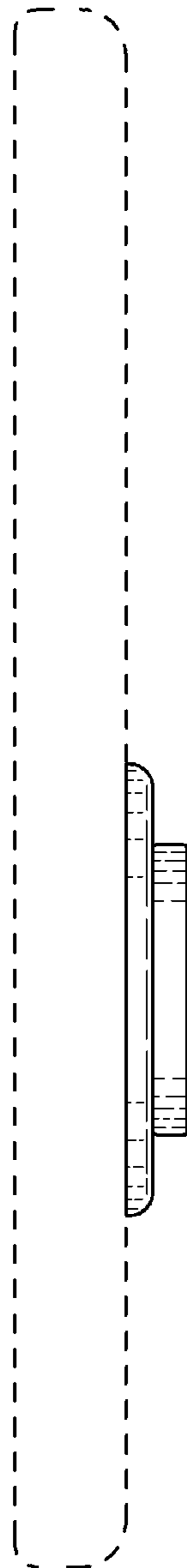


FIG. 10

