



US00D765660S

(12) **United States Design Patent**  
**Kim et al.**

(10) **Patent No.:** **US D765,660 S**  
(45) **Date of Patent:** **\*\* Sep. 6, 2016**

(54) **DIGITAL INFORMATION DISPLAY DEVICE**

(71) Applicant: **Samsung Electronics Co., Ltd.**,  
Suwon-si, Gyeonggi-do (KR)

(72) Inventors: **Taeyoun Kim**, Yongin-si (KR); **Euiju Lee**, Guri-si (KR); **Byunghoon Min**,  
Yongin-si (KR); **Sangho Park**, Seoul  
(KR)

(73) Assignee: **SAMSUNG ELECTRONICS CO., LTD.**,  
Suwon-Si, Gyeonggi-Do (KR)

(\*\*) Term: **15 Years**

(21) Appl. No.: **29/530,247**

(22) Filed: **Jun. 15, 2015**

(30) **Foreign Application Priority Data**

Dec. 22, 2014 (KR) ..... 30-2014-0062520

(51) **LOC (10) Cl.** ..... **14-02**

(52) **U.S. Cl.**  
USPC ..... **D14/375; D20/10**

(58) **Field of Classification Search**  
USPC ..... D14/371-375, 125-129, 336, 337, 341;  
341/12; 345/104, 156, 168, 173;  
348/180, 184, 325, 739; 349/1, 2, 11,  
349/62; 361/679.05-679.07, 679.21;  
D6/300, 308; D20/10  
CPC ..... G06F 1/16; G06F 1/1601; G06F 3/037;  
G06F 1/162; F16M 11/02; F16M 11/10;  
F16M 11/00

See application file for complete search history.

(56) **References Cited**

**U.S. PATENT DOCUMENTS**

D279,201 S \* 6/1985 Shuman ..... D20/10  
D386,091 S 11/1997 Caulk  
D443,308 S \* 6/2001 Kovell ..... D20/10  
6,343,006 B1 \* 1/2002 Moscovitch ..... B60R 11/02  
348/794  
D496,936 S \* 10/2004 Ozolins ..... D14/375

D585,398 S \* 1/2009 Hwang ..... D14/130  
D599,855 S \* 9/2009 Soodeen ..... D14/127  
D620,461 S \* 7/2010 Han ..... D14/126  
D634,722 S \* 3/2011 Kim ..... D14/126  
D635,614 S 4/2011 Yan  
D638,836 S \* 5/2011 Daniel ..... D14/341  
D717,805 S \* 11/2014 Sang ..... D14/448

**FOREIGN PATENT DOCUMENTS**

CN 302761257 S 3/2014

\* cited by examiner

*Primary Examiner* — Freda S Nunn

(74) *Attorney, Agent, or Firm* — Ladas & Parry LLP

(57) **CLAIM**

We claim the ornamental design for the digital information display device, as shown and described.

**DESCRIPTION**

FIG. 1 is the front perspective view of the digital information display device showing our new design in one configuration;

FIG. 2 is the front view thereof;

FIG. 3 is the rear view thereof;

FIG. 4 is the left-side view thereof;

FIG. 5 is the right-side view thereof;

FIG. 6 is the top plan view thereof;

FIG. 7 is the bottom plan view thereof;

FIG. 8 is a perspective view thereof showing a second configuration of the device in a folded position;

FIG. 9 is a perspective view thereof showing a third configuration of the device in an expanded position;

FIG. 10 is an enlarged view of the left hand end of FIG. 7; and,

FIG. 11 is an enlarged view of the right hand end of FIG. 7. The short dash-dash broken line in the figures shows unclaimed portions of the digital information display device, the dot-dot-dash broken line in FIGS. 7, 10 and 11 encircling a portion of the claimed design is for illustrating the enlargement, and the dot-dash broken line in the figures represents a boundary of the claimed design; the broken lines form no part of the claimed design.

**1 Claim, 11 Drawing Sheets**

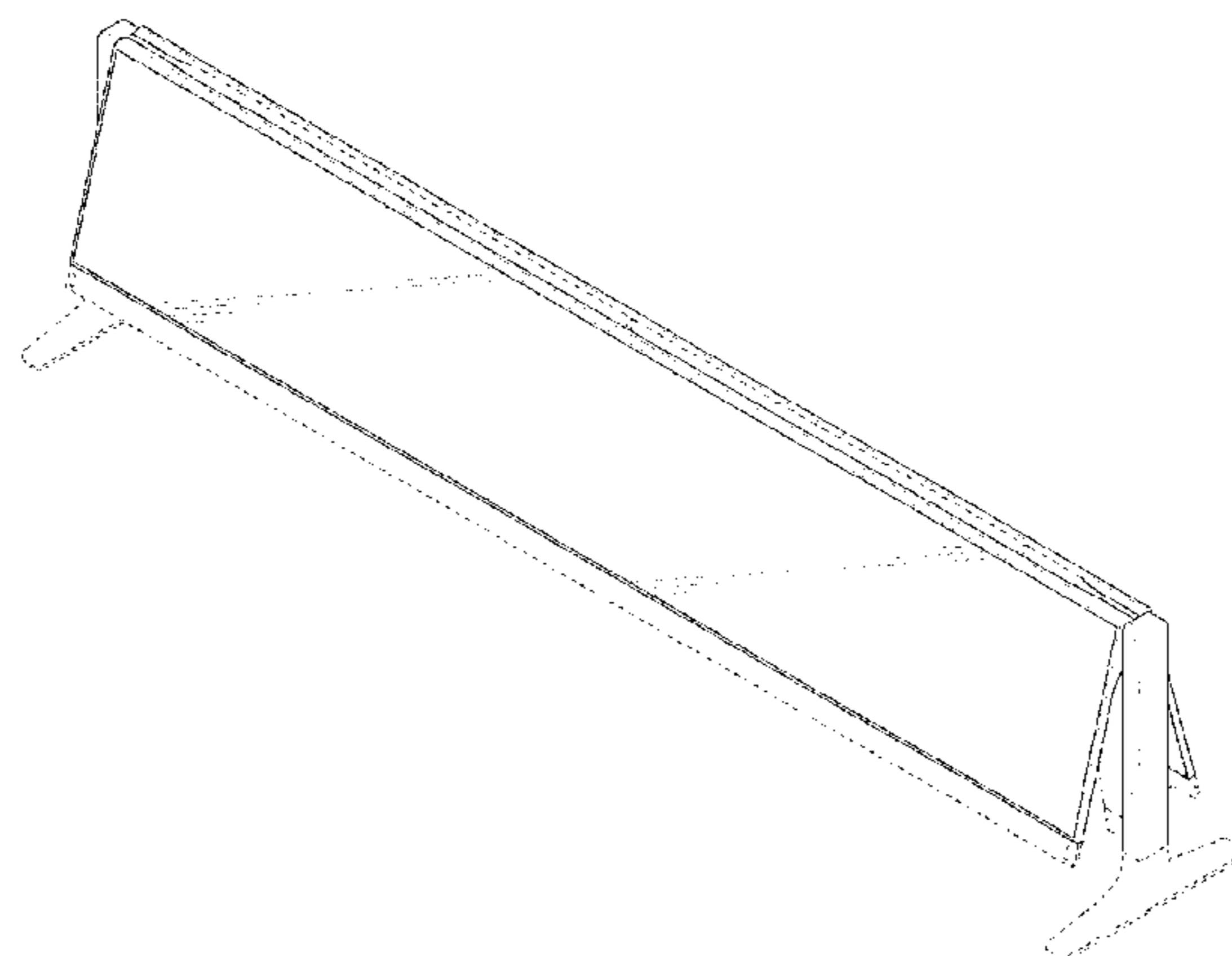


FIG. 1

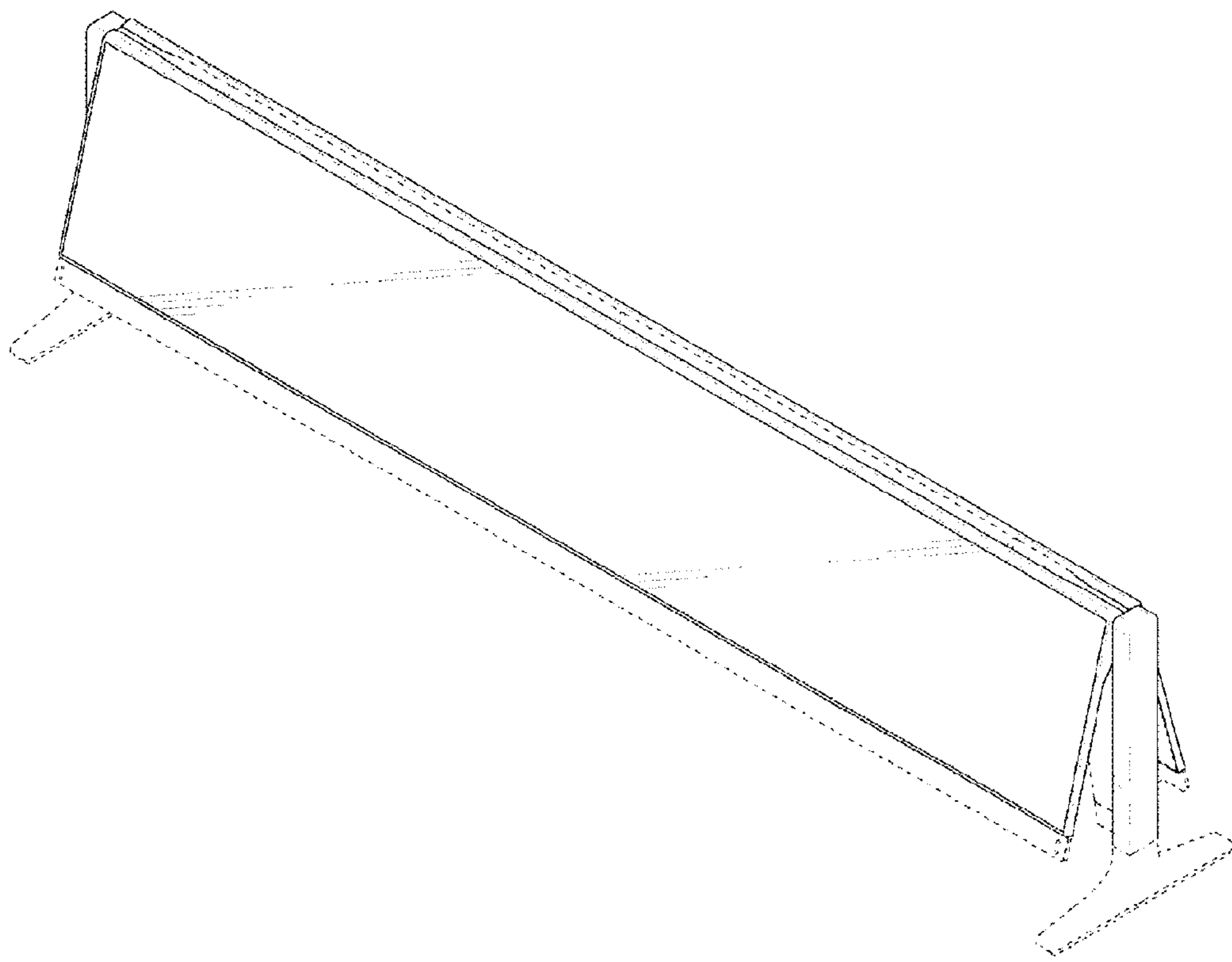


FIG. 2

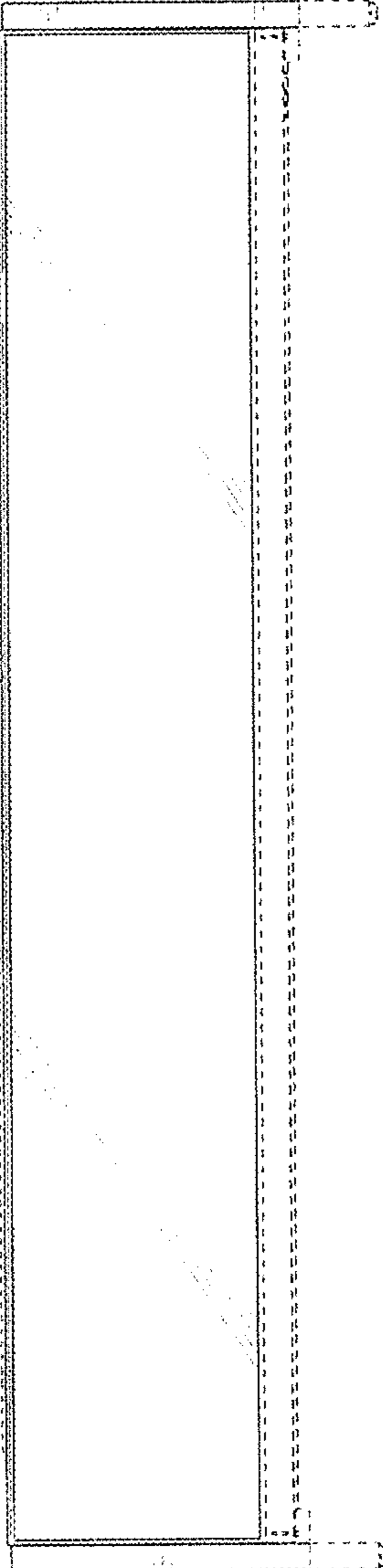


FIG. 3

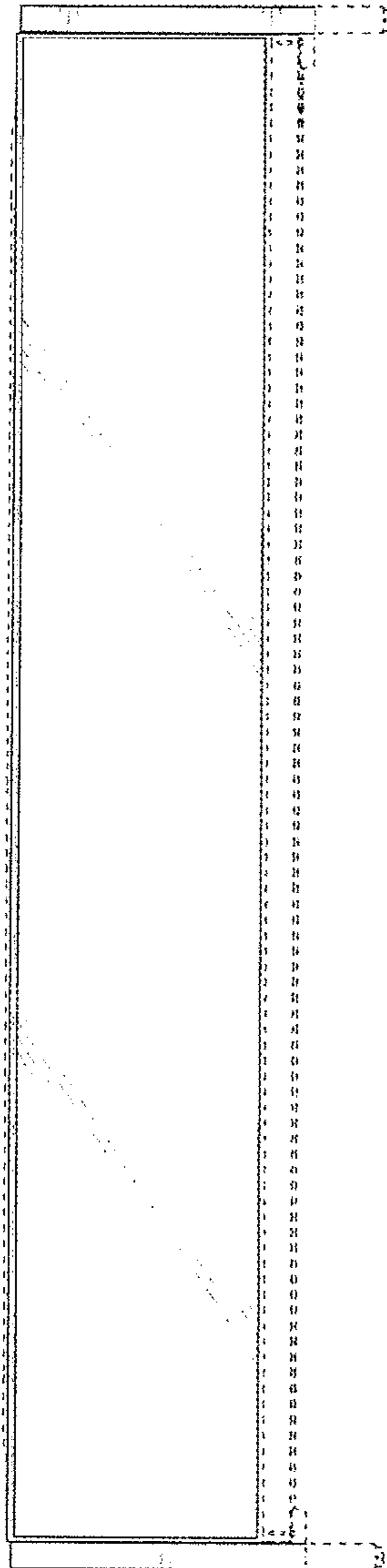


FIG. 4

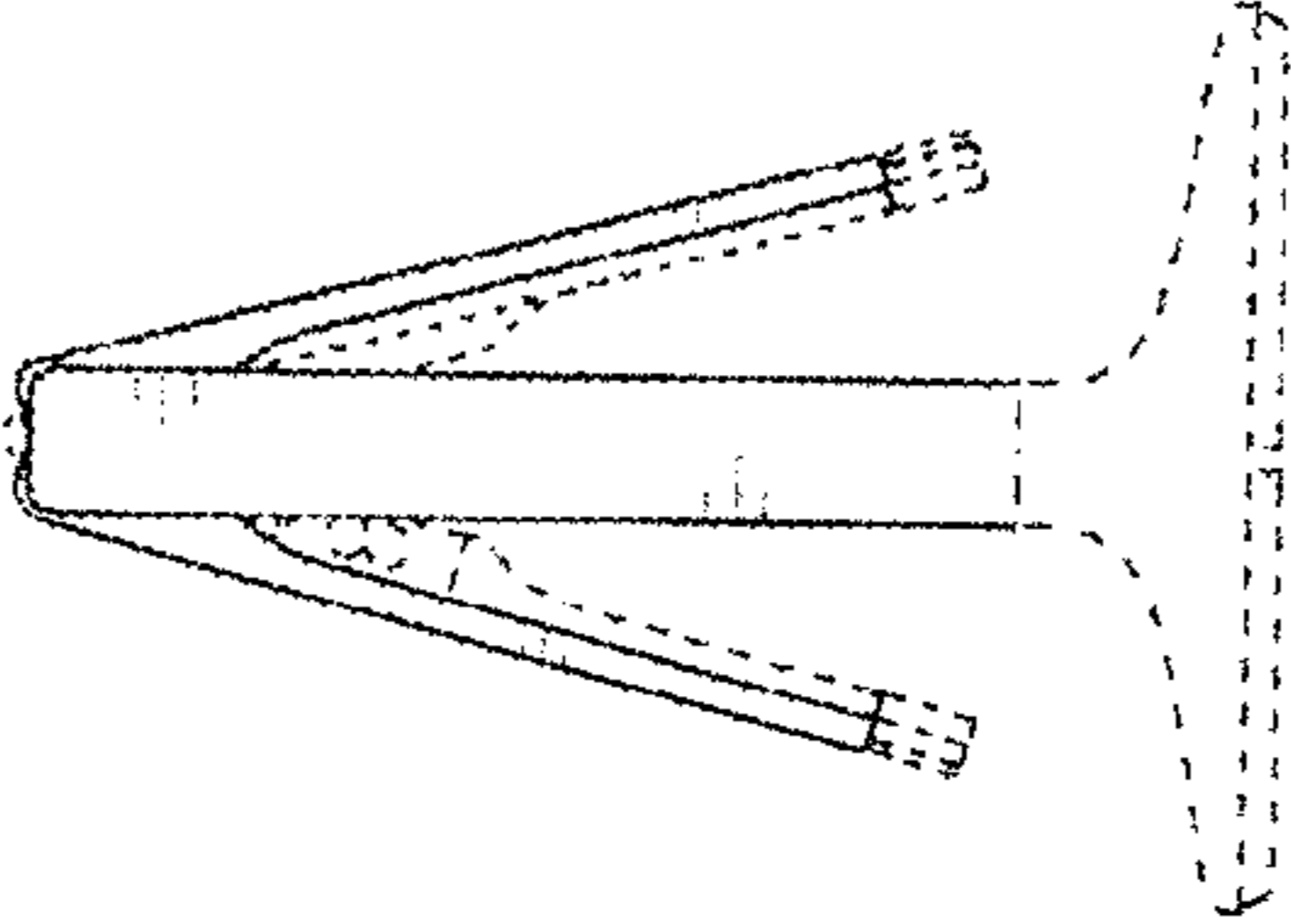


FIG. 5

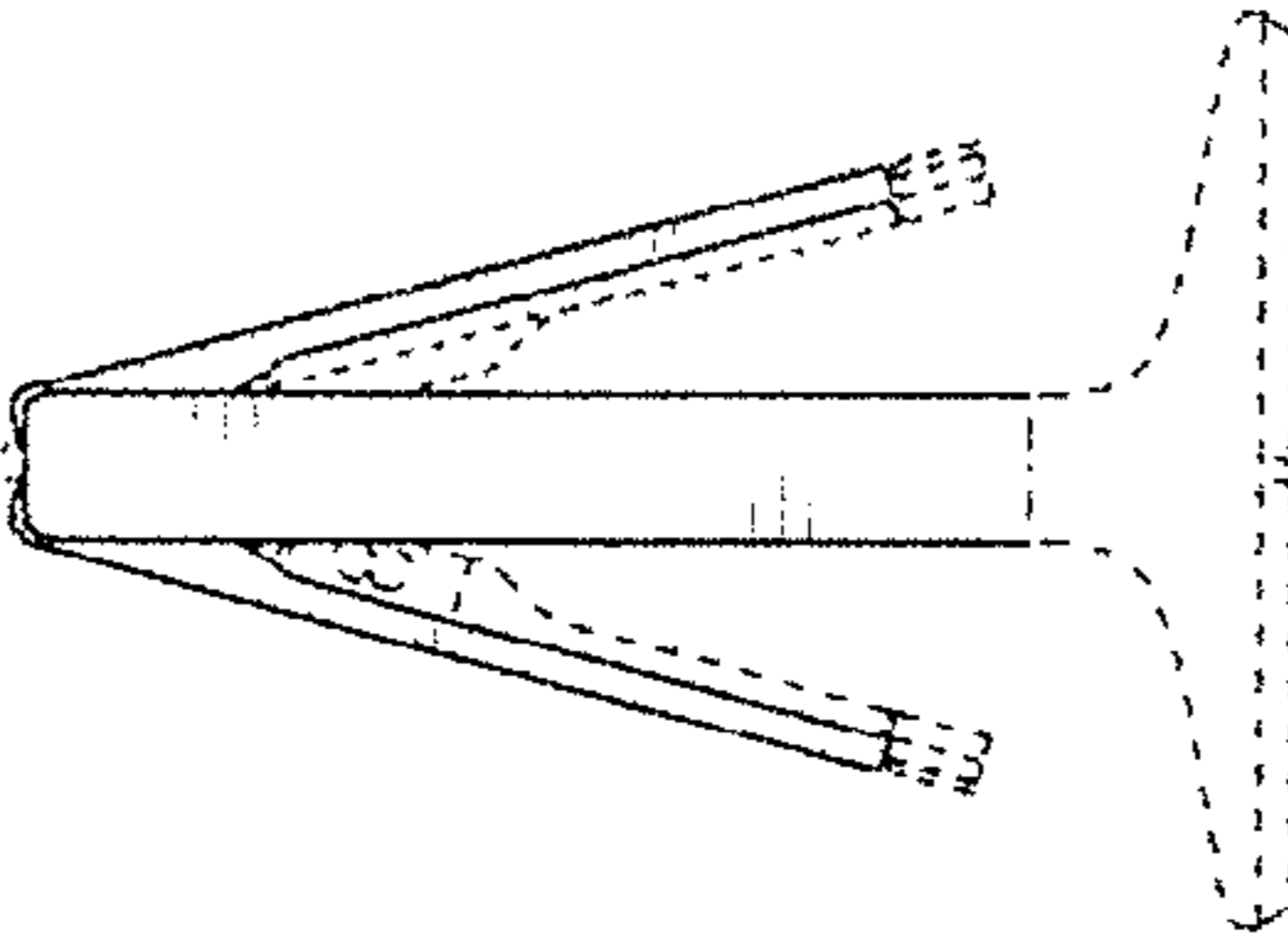


FIG. 6

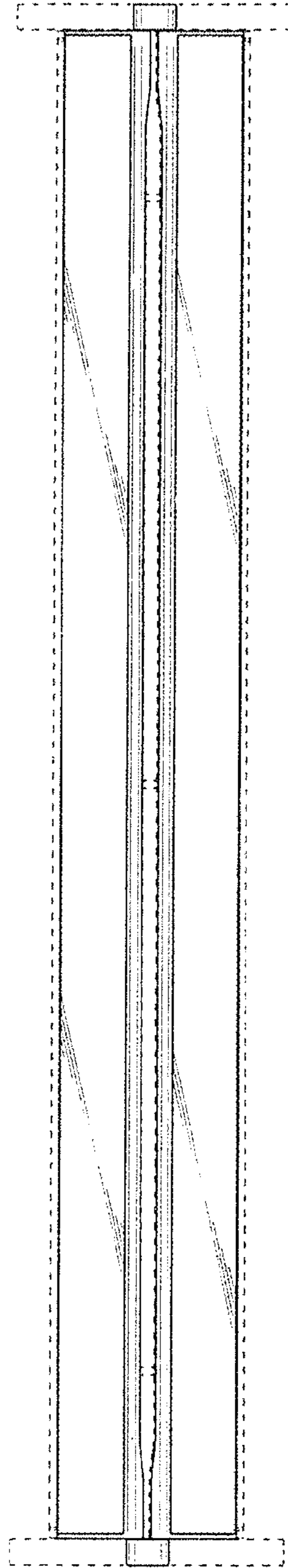


FIG. 7

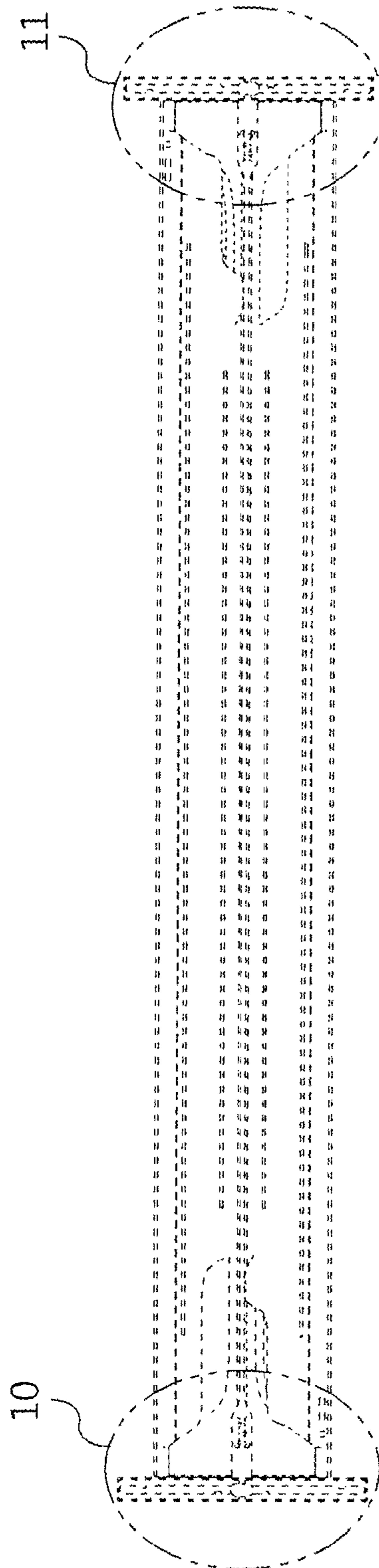
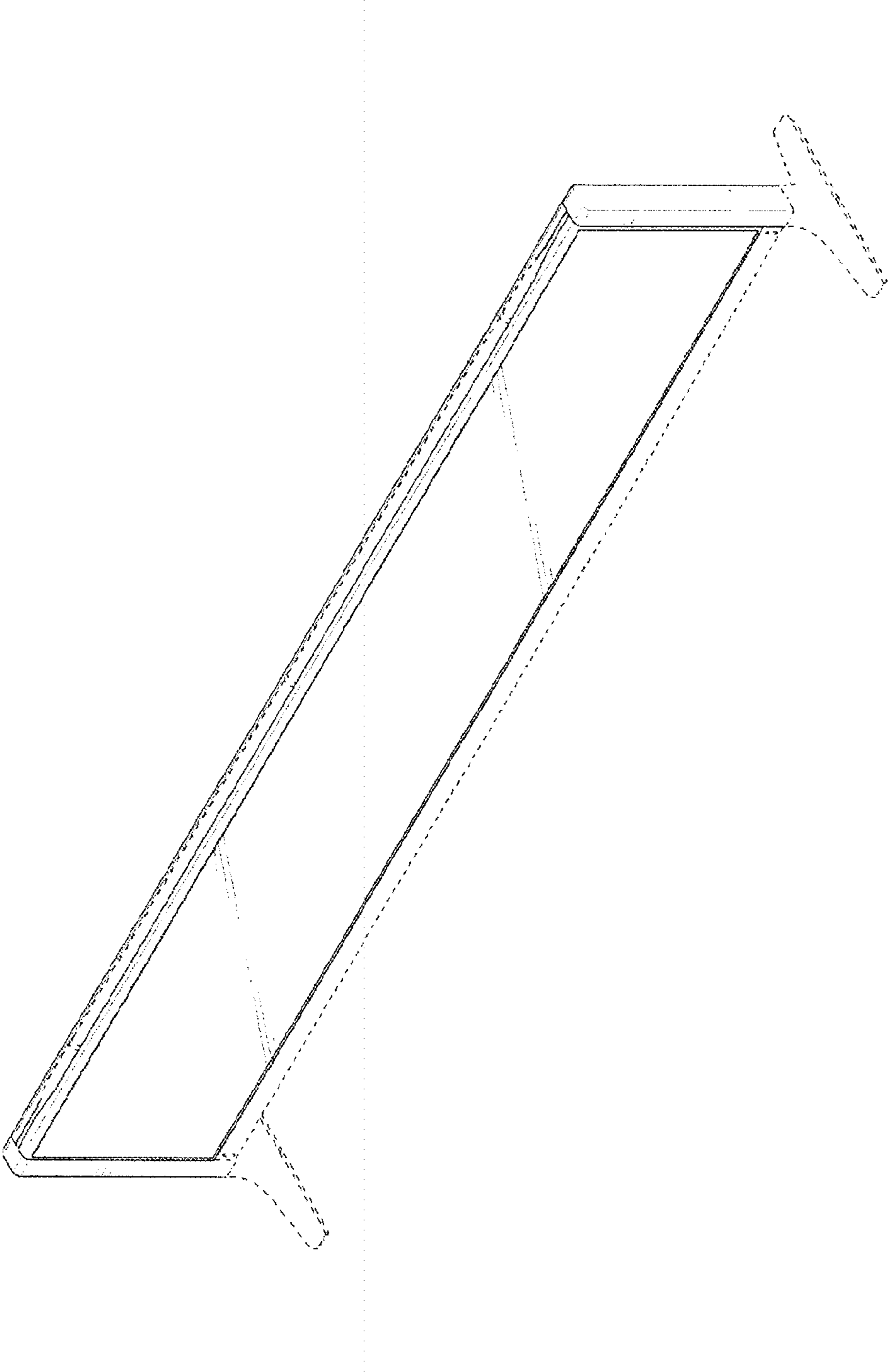




FIG. 8



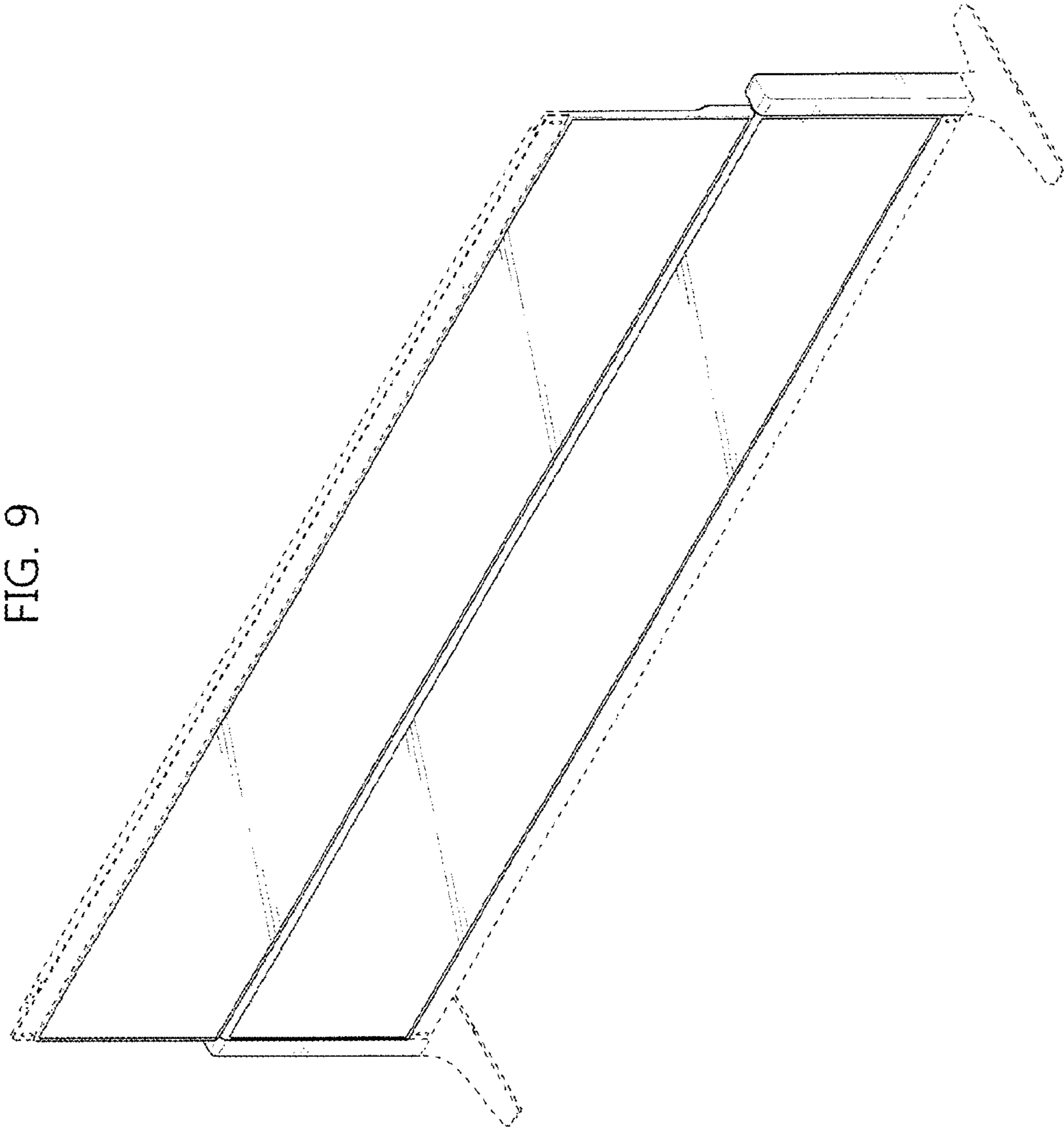


FIG. 9

FIG. 10

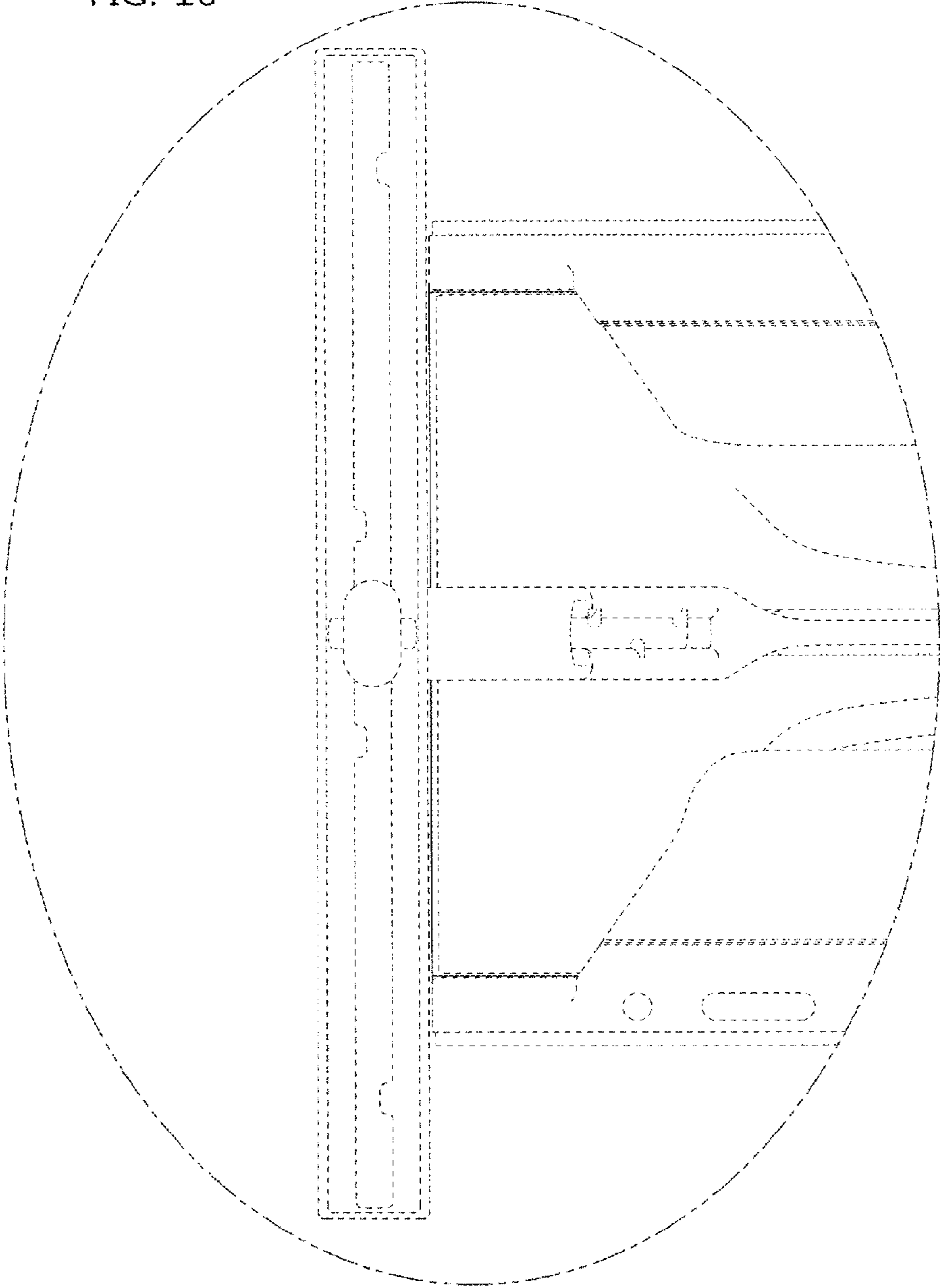


FIG. 11

