

US00D765659S

(12) **United States Design Patent**  
**Kim et al.**

(10) **Patent No.: US D765,659 S**

(45) **Date of Patent: \*\* Sep. 6, 2016**

(54) **DIGITAL INFORMATION DISPLAY DEVICE**

FOREIGN PATENT DOCUMENTS

(71) Applicant: **Samsung Electronics Co., Ltd.**,  
Suwon-si, Gyeonggi-do (KR)

KR 0216972 3/1998

*Primary Examiner* — Freda S Nunn

(72) Inventors: **Taeyoun Kim**, Yongin-si (KR); **Euiju Lee**, Guri-si (KR); **Byunghoon Min**, Yongin-si (KR); **Sangho Park**, Seoul (KR)

(74) *Attorney, Agent, or Firm* — Ladas & Parry LLP

(73) Assignee: **SAMSUNG ELECTRONICS CO., LTD.**, Suwon-Si, Gyeonggi-Do (KR)

(57) **CLAIM**

We claim the ornamental design for the digital information display device, as shown and described.

(\*\*) Term: **15 Years**

**DESCRIPTION**

(21) Appl. No.: **29/530,235**

FIG. 1 is the front perspective view of the digital information display device showing our new design;

(22) Filed: **Jun. 15, 2015**

FIG. 2 is the front view thereof;

(30) **Foreign Application Priority Data**

FIG. 3 is the rear view thereof;

Dec. 22, 2014 (KR) ..... 30-2014-0062519

FIG. 4 is the left-side view thereof;

(51) **LOC (10) Cl.** ..... **14-02**

FIG. 5 is the right-side view thereof;

(52) **U.S. Cl.**

USPC ..... **D14/375**; D20/10

FIG. 6 is the top plan view thereof;

(58) **Field of Classification Search**

USPC ..... D14/371–375, 125–129, 336, 337, 341; 341/12; 345/104, 156, 168, 173; 348/180, 184, 325, 739; 349/1, 2, 11, 349/62; 361/679.05–679.07, 679.21; D6/300, 308; D20/10

FIG. 7 is the bottom plan view thereof;

CPC ..... G06F 1/16; G06F 1/1601; G06F 3/037; G06F 1/162; F16M 11/02; F16M 11/10; F16M 11/00

FIG. 8 is a perspective view thereof showing one configuration of the device on an unclaimed support;

See application file for complete search history.

FIG. 9 is a perspective view thereof showing the device in a folded position;

(56) **References Cited**

U.S. PATENT DOCUMENTS

D279,201 S \* 6/1985 Shuman ..... D20/10  
D312,097 S 11/1990 Robinson  
D386,091 S 11/1997 Caulk

FIG. 10 is a perspective view thereof showing the device in a folded position on an unclaimed support;

FIG. 11 is a perspective view thereof showing the device in an “open” position on an unclaimed support;

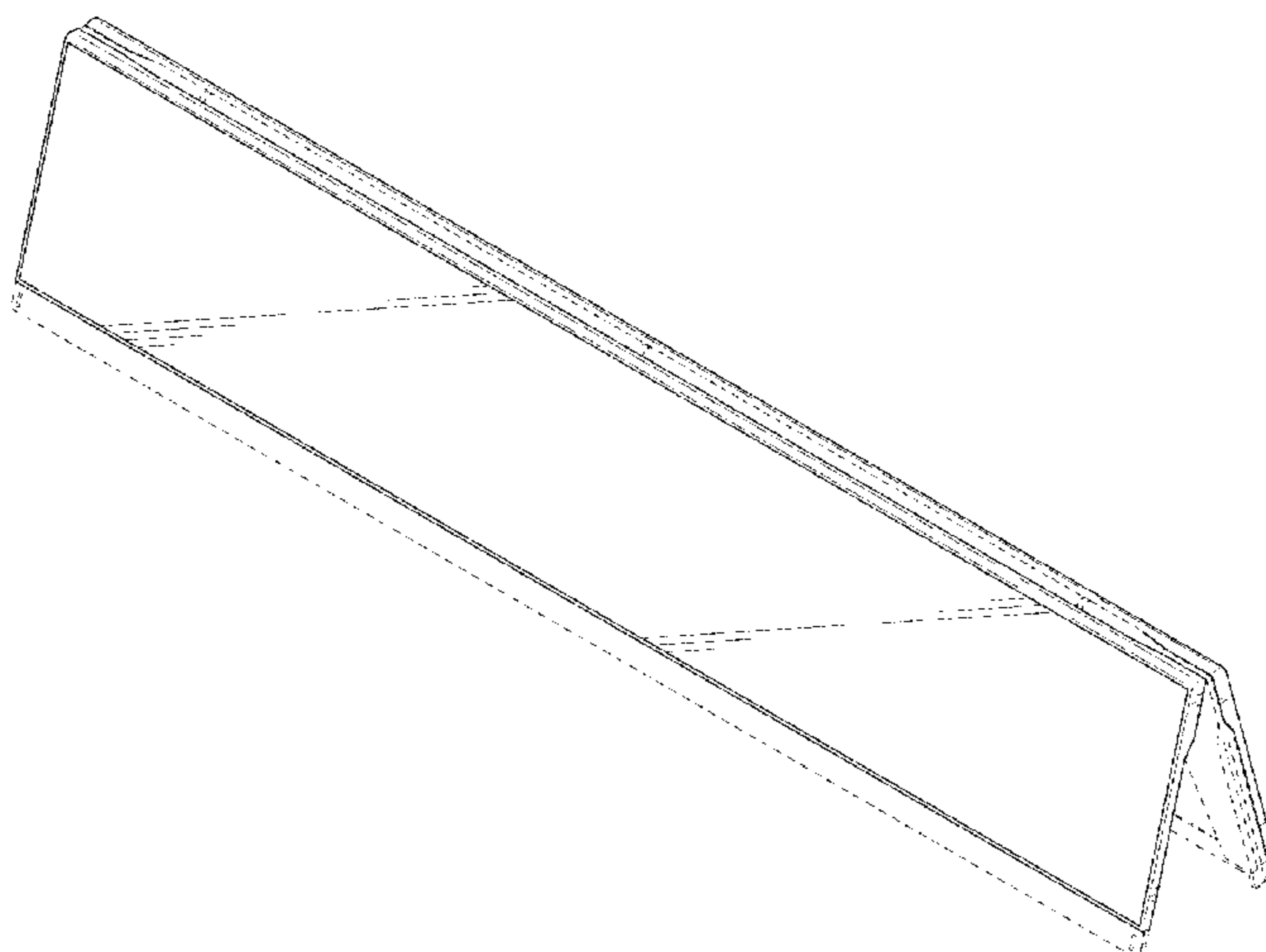
FIG. 12 is an enlarged view of the left hand end of the bottom plan view of FIG. 7; and,

FIG. 13 is an enlarged view of the right hand end of the bottom plan view of FIG. 7.

The short dash-dash broken lines showing of portions of the digital information display device in the figures form no part of the claimed design. In FIGS. 7, 12 and 13, the alternate dot-dash broken lines encircling a portion of the claimed design are for illustrating the enlargement and form no part of the claimed design. In FIGS. 8, 10 and 11, the dot-dot-dash broken lines showing of the support are for the purpose of illustrating environmental structure and form no part of the claimed design.

(Continued)

**1 Claim, 13 Drawing Sheets**



# US D765,659 S

Page 2

---

(56)

## References Cited

### U.S. PATENT DOCUMENTS

D443,308 S \* 6/2001 Kovell ..... D20/10  
6,343,006 B1 \* 1/2002 Moscovitch ..... B60R 11/02  
348/794  
D496,936 S \* 10/2004 Ozolins ..... D14/375

D585,398 S \* 1/2009 Hwang ..... D14/130  
D599,855 S \* 9/2009 Soodeen ..... D14/127  
D620,461 S \* 7/2010 Han ..... D14/126  
D634,722 S \* 3/2011 Kim ..... D14/126  
D638,836 S \* 5/2011 Daniel ..... D14/341  
D717,805 S \* 11/2014 Sang ..... D14/448

\* cited by examiner

FIG. 1

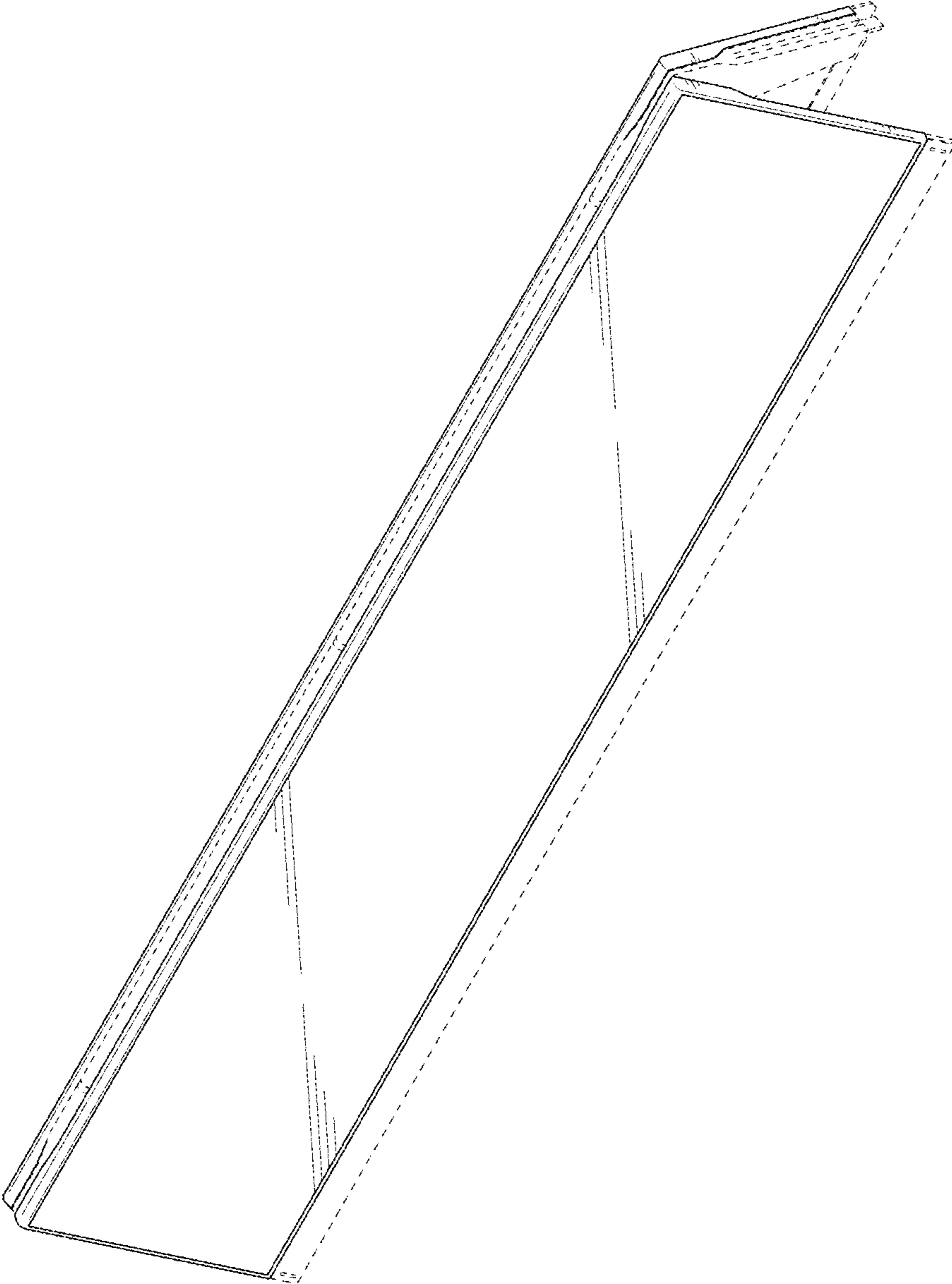


FIG. 2

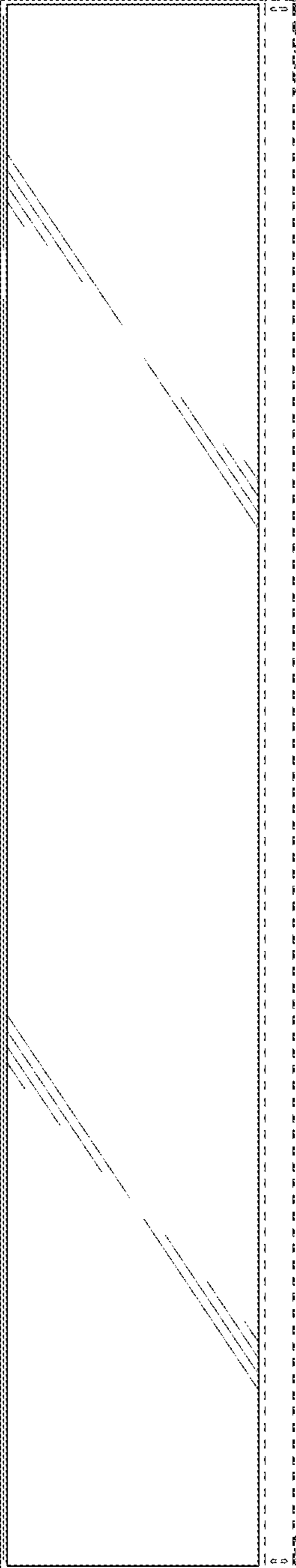


FIG. 3

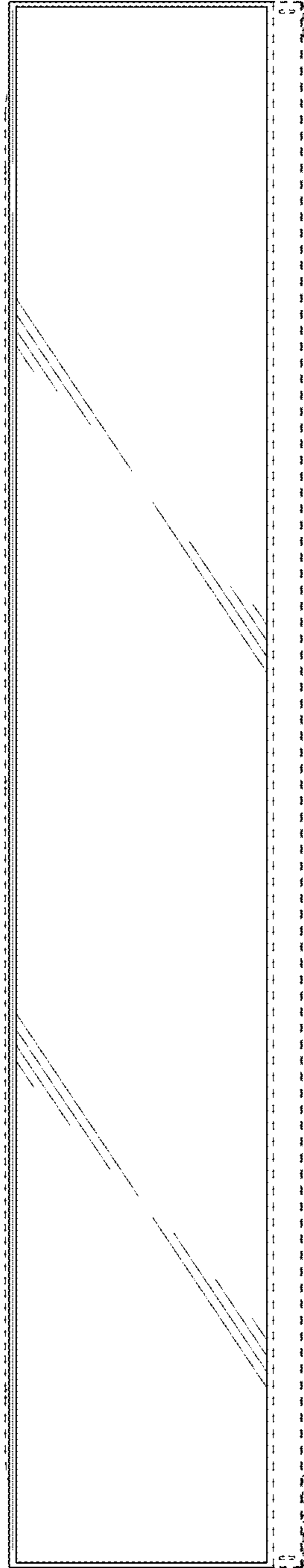


FIG. 4

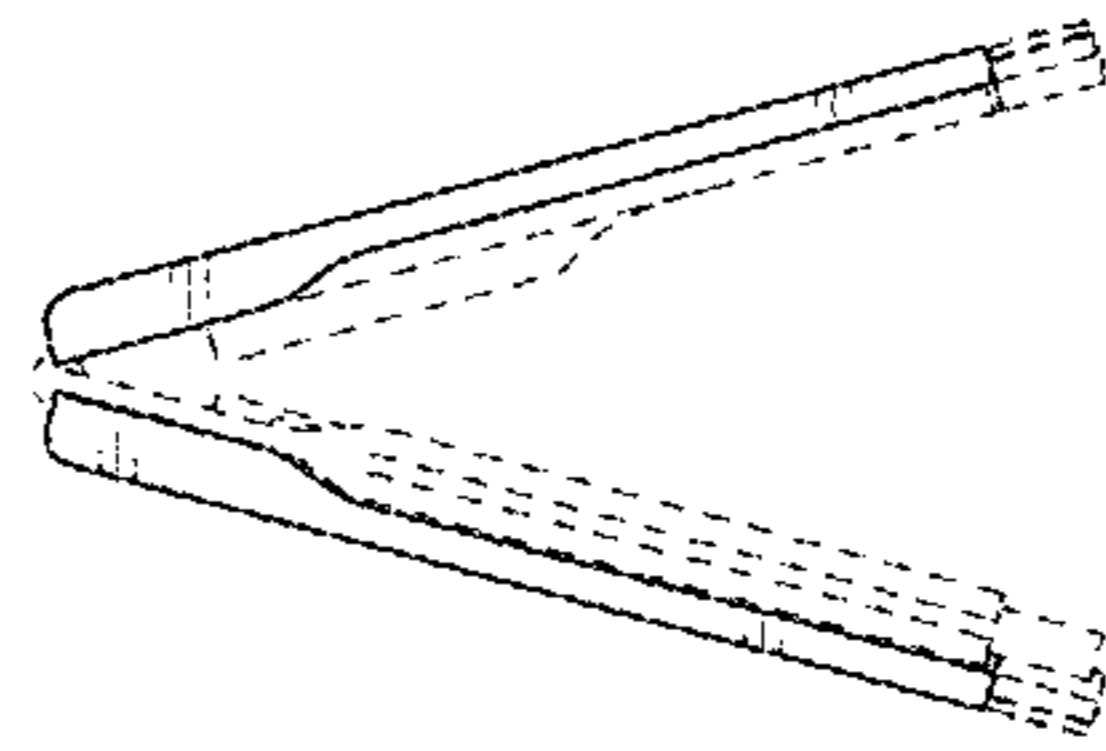


FIG. 5

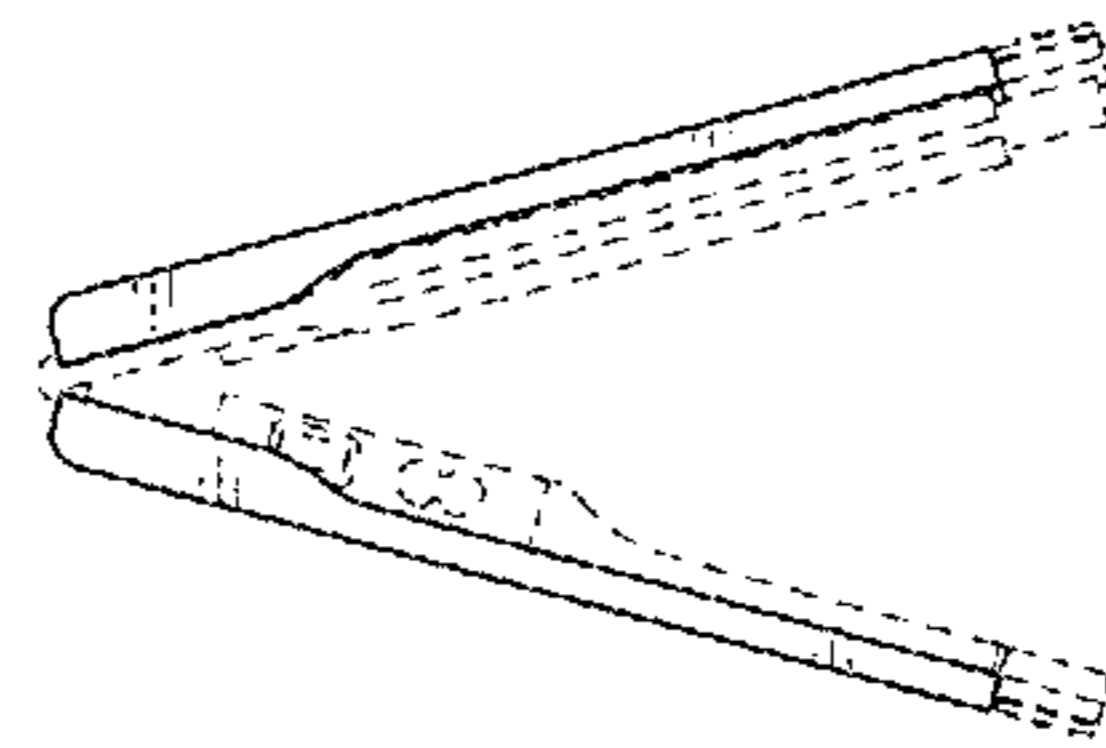


FIG. 6

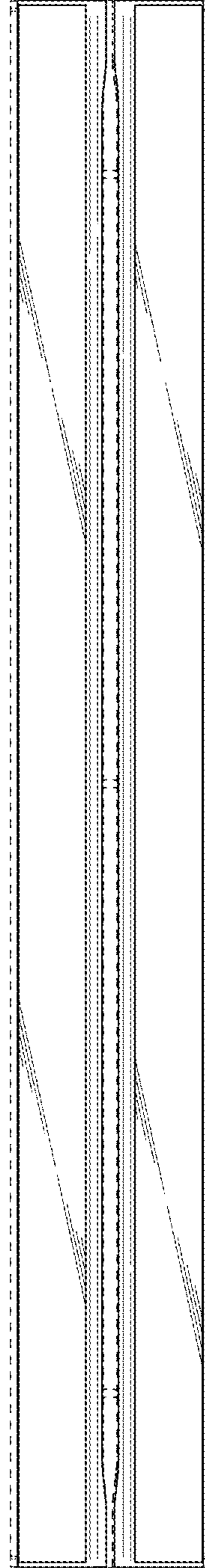




FIG. 7

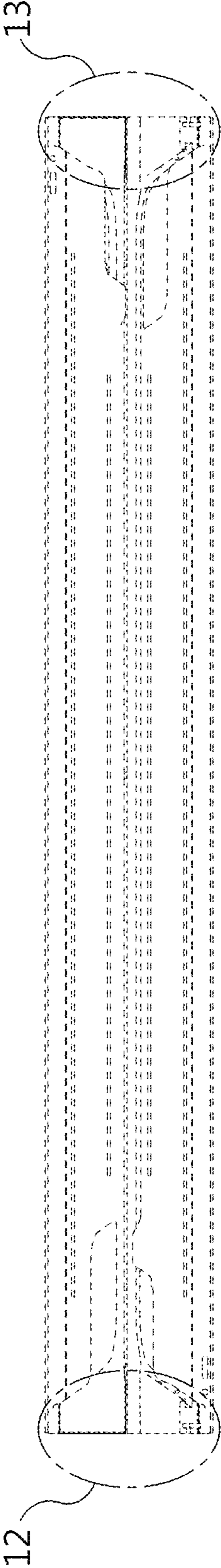


FIG. 8

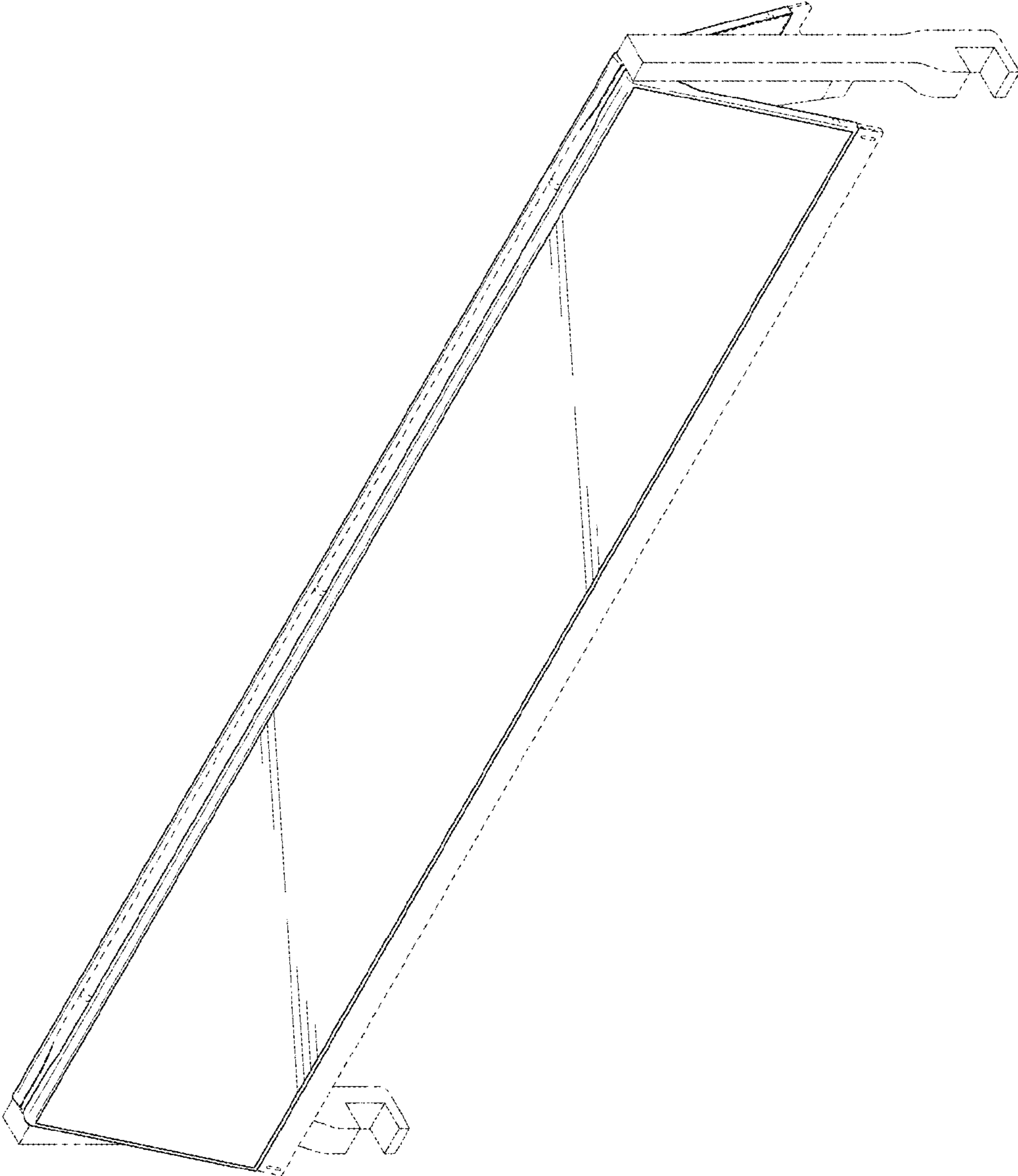


FIG. 9

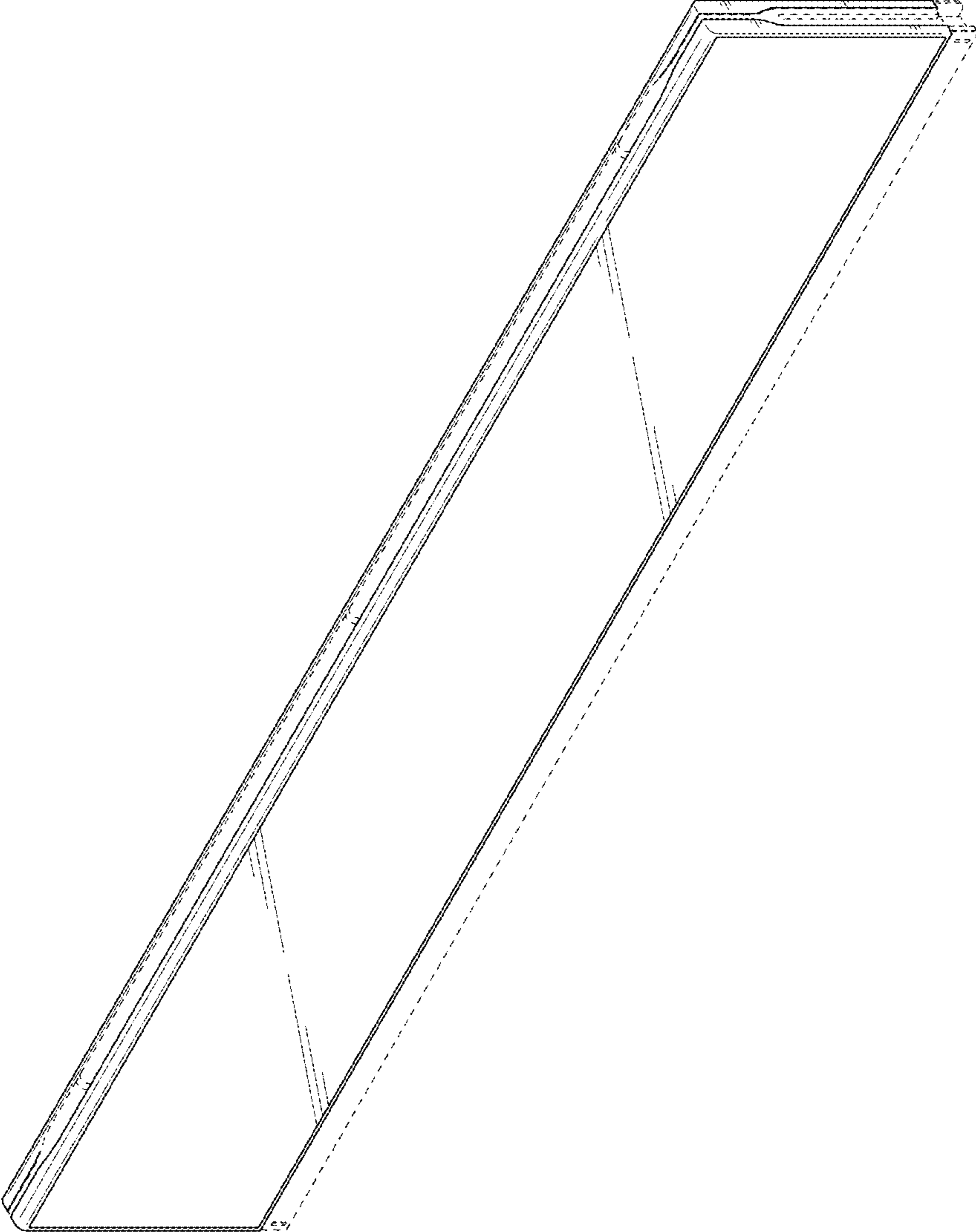
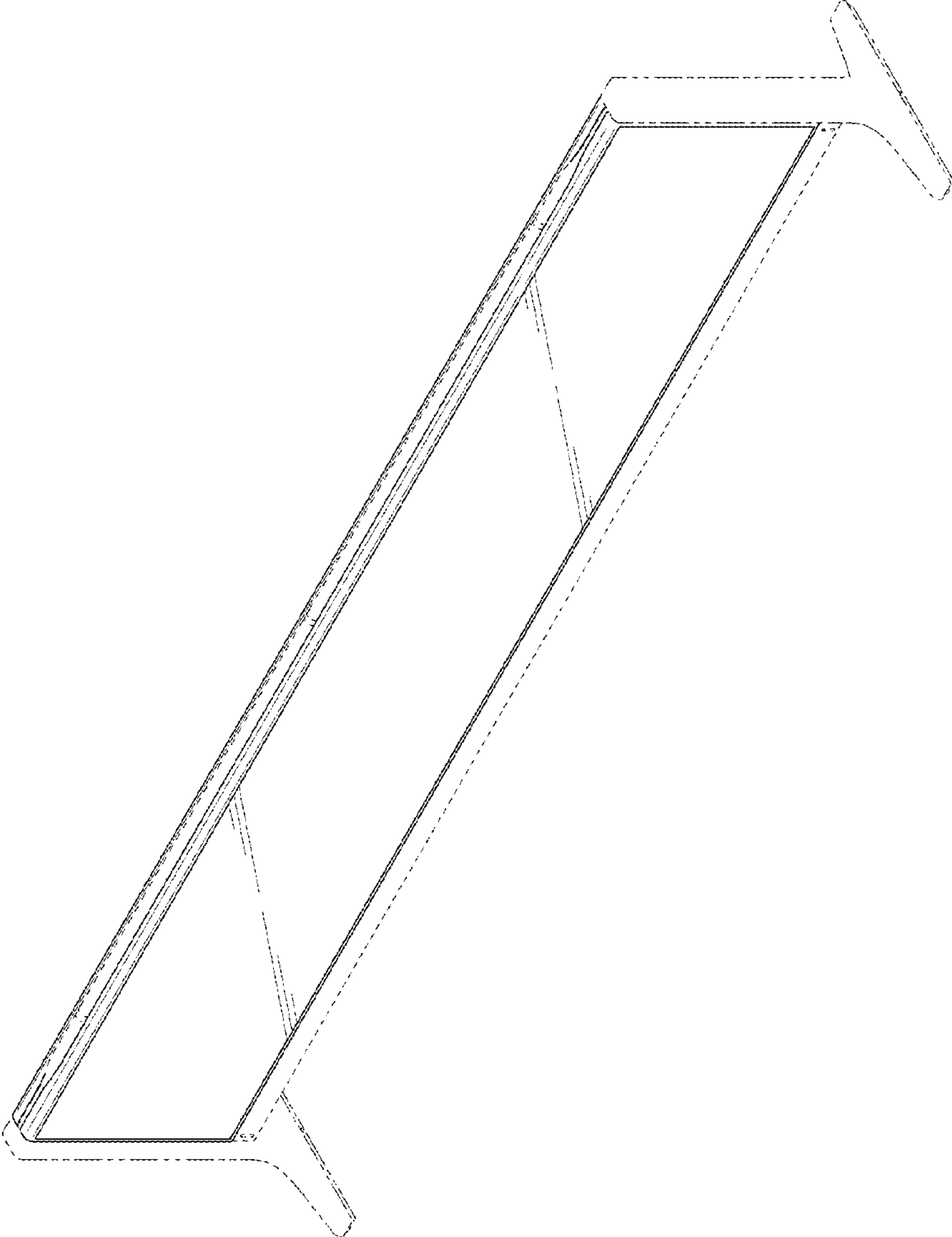


FIG. 10



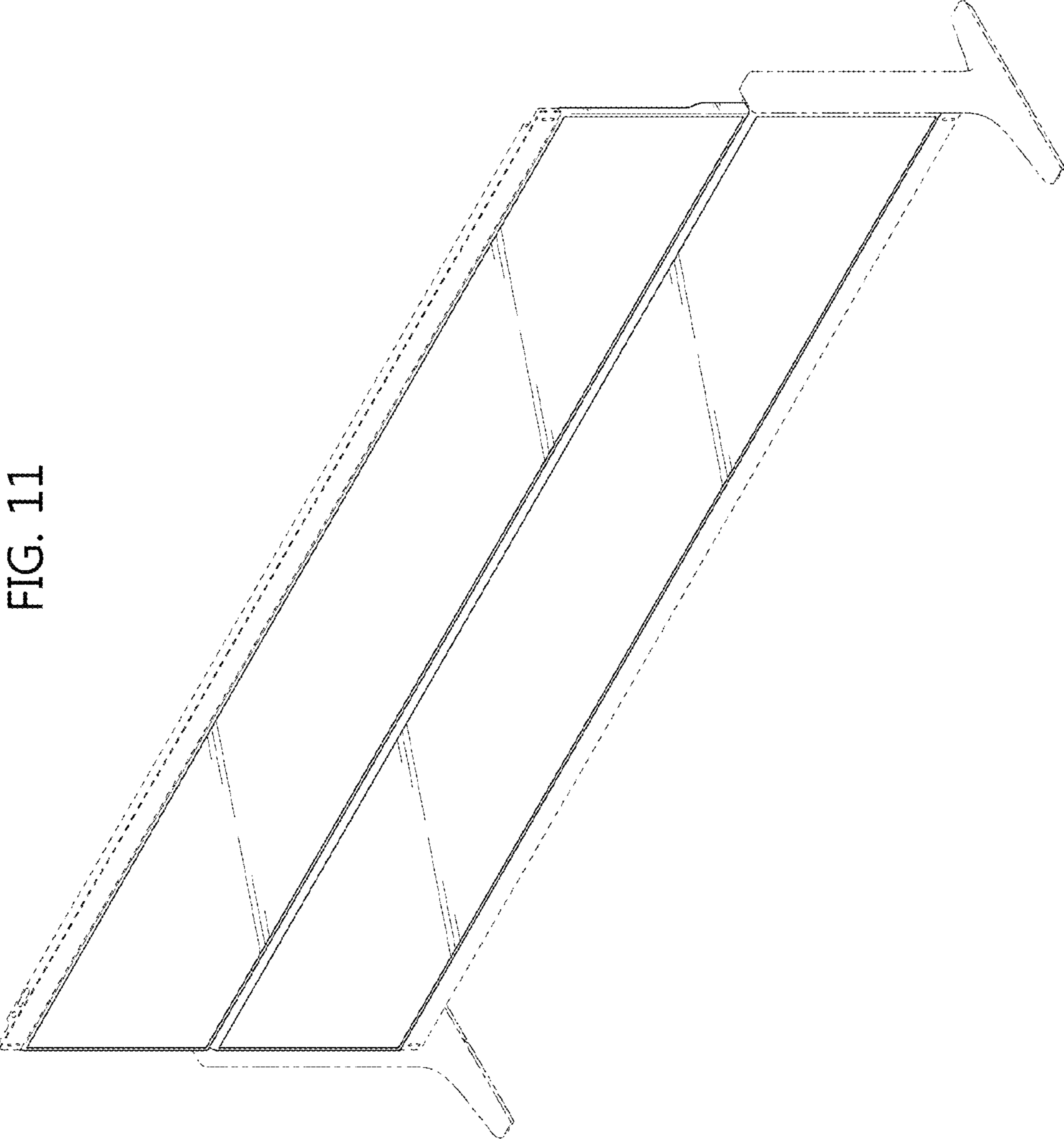


FIG. 11

FIG. 12

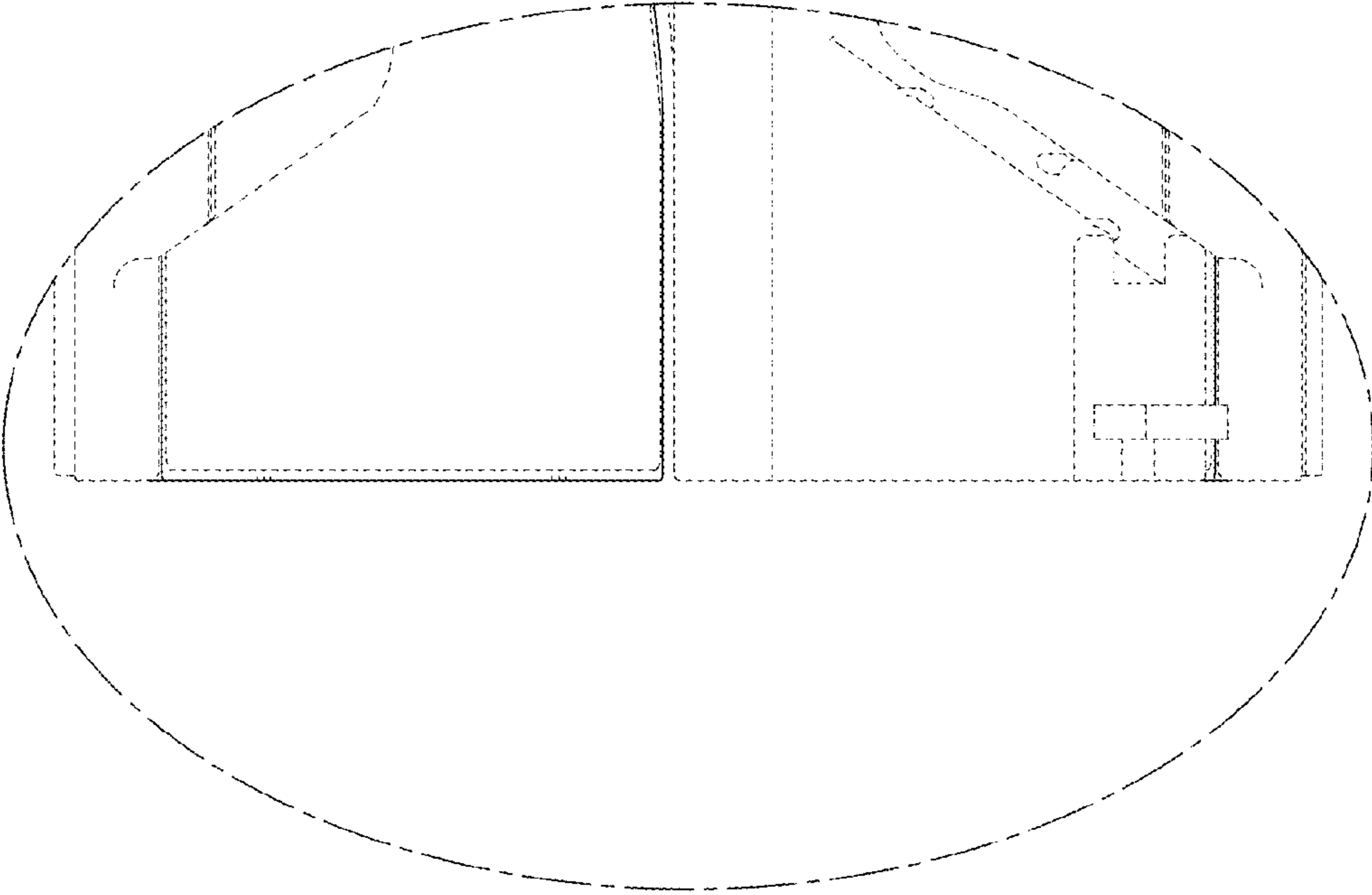


FIG. 13

