



US00D765658S

(12) **United States Design Patent**
Spio

(10) **Patent No.:** **US D765,658 S**
(45) **Date of Patent:** **** Sep. 6, 2016**

(54) **VIRTUAL REALITY AND AUGMENTED REALITY FOLDABLE HEADSET**

(71) Applicant: **Mary A Spio**, Miami Beach, FL (US)

(72) Inventor: **Mary A Spio**, Miami Beach, FL (US)

(**) Term: **15 Years**

(21) Appl. No.: **29/557,128**

(22) Filed: **Mar. 6, 2016**

(51) **LOC (10) Cl.** **14-02**

(52) **U.S. Cl.**
USPC **D14/372**

(58) **Field of Classification Search**
USPC D14/372, 496, 432, 371, 125, 126, 129,
D14/299; D16/300-342; 351/158, 153, 144;
345/7-9, 905; 455/344; 348/115, 53,
348/121, 739
CPC G02B 27/017; G02B 27/0158; G02B
27/0161; G02B 27/0181; G02B 27/0185;
G02B 27/0189

See application file for complete search history.

(56) **References Cited**

U.S. PATENT DOCUMENTS

D727,318 S * 4/2015 Garcia Marin D14/372
9,176,325 B2 * 11/2015 Lyons G02B 27/0172

(Continued)

Primary Examiner — Austin Murphy

(57) **CLAIM**

The ornamental design for a foldable headset for use with virtual reality and augmented reality systems, as shown and described.

DESCRIPTION

FIG. 1 is a perspective view of a virtual reality and augmented reality foldable headset in a folded configuration in

a bag below a CD case, wherein bag containing the headset and CD case are protruding out of a boxed container.

FIG. 2 is a front perspective view of the virtual reality and augmented reality foldable headset in a fully assembled configuration with a protective element on an edge of each temple section of the headset.

FIG. 3 is a rear perspective view of the virtual reality and augmented reality foldable headset in the fully assembled configuration with a protective element on an edge of each temple section of the headset.

FIG. 4 is a front view of the virtual reality and augmented reality foldable headset in the fully assembled configuration with a protective element on an edge of each temple section of the headset.

FIG. 5 is a rear view of the virtual reality and augmented reality foldable headset in the fully assembled configuration with a protective element on an edge of each temple section of the headset.

FIG. 6 is a side view of the virtual reality and augmented reality foldable headset in the fully assembled configuration with a protective element on an edge of each temple section of the headset.

FIG. 7 is a top view of the virtual reality and augmented reality foldable headset in the fully assembled configuration with a protective element on an edge of each temple section of the headset.

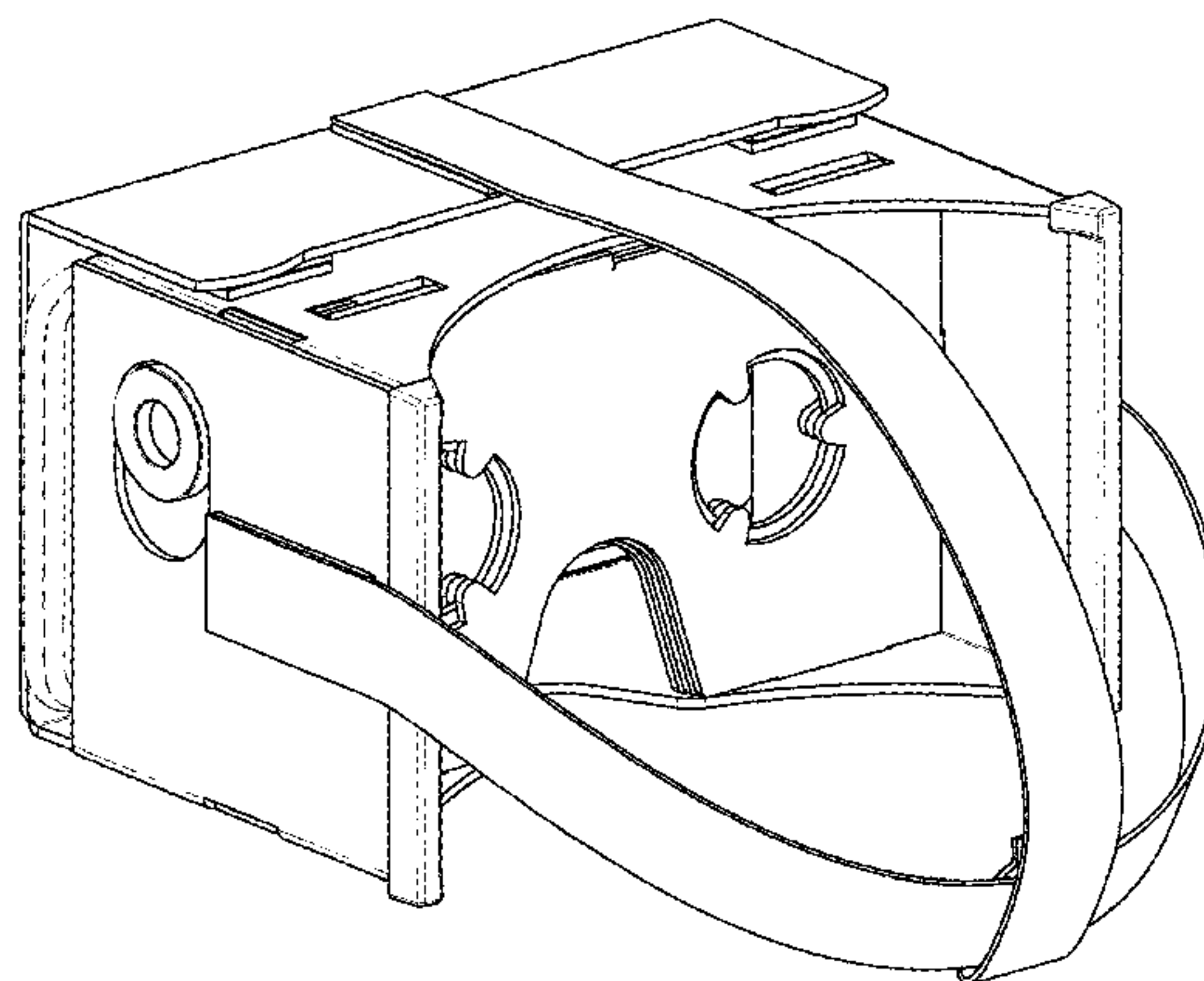
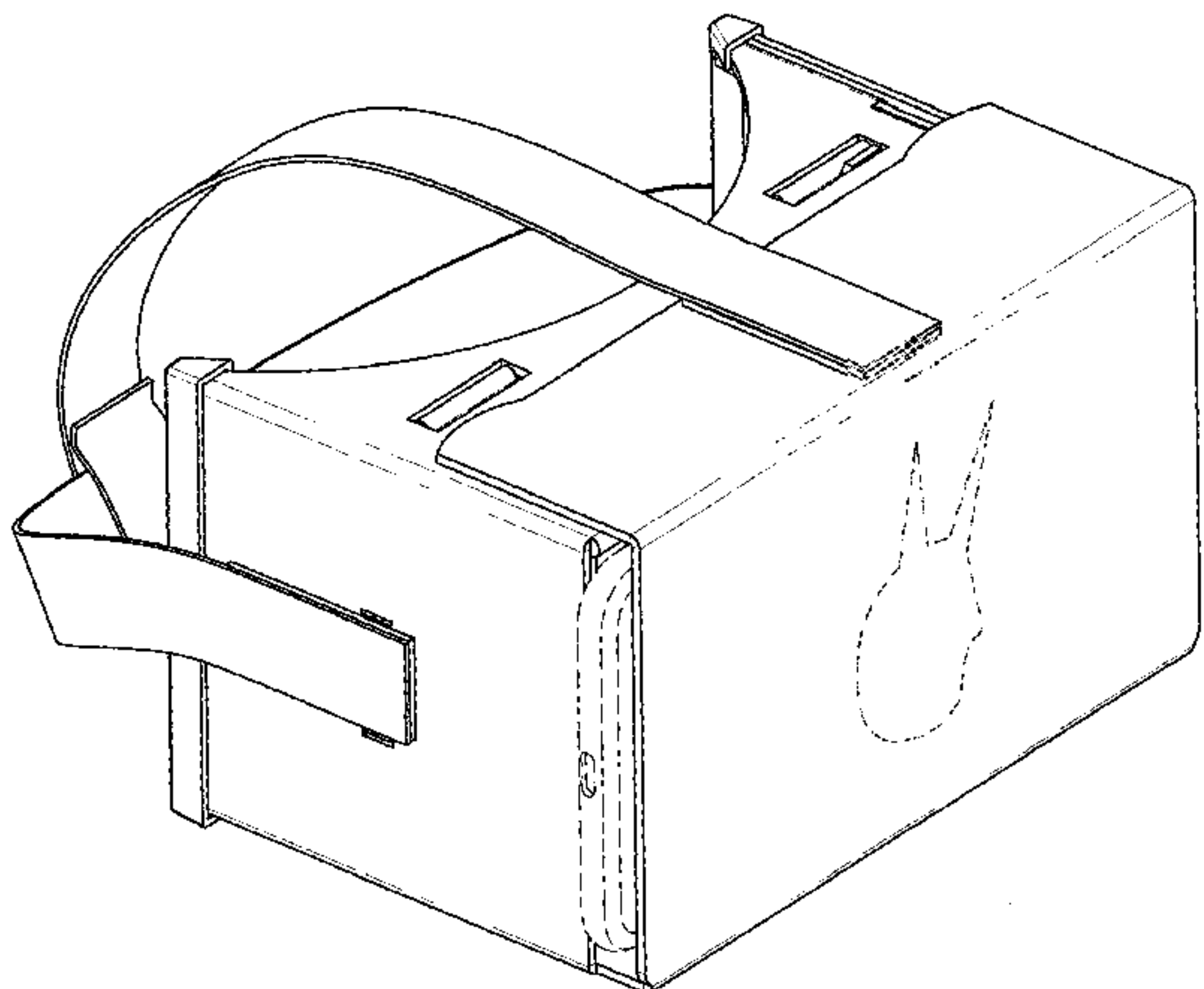
FIG. 8 is a side view of the virtual reality and augmented reality foldable headset in the fully assembled configuration with a protective element on an edge of each temple section of the headset.

FIG. 9 is a bottom view of the virtual reality and augmented reality foldable headset in the fully assembled configuration with a protective element on an edge of each temple section of the headset.

FIG. 10 is a front perspective view of the virtual reality and augmented reality foldable headset in the assembled configuration with a protective element on an edge of each temple section of the headset, and in the open configuration illustrating suction cups for holding a remote computing device; and,

FIG. 11 is a rear perspective view of the virtual reality and augmented reality foldable headset in the assembled configuration with a protective element on edge of each temple section of the headset, and in the open configuration illustrating suction cups for holding a remote computing device. The dashed broken lines in the Figures illustrate a remote computing device, such as a cell phone or portion thereof, and surface ornamentation and form no part of the claimed design.

1 Claim, 6 Drawing Sheets



US D765,658 S

Page 2

(56)

References Cited

U.S. PATENT DOCUMENTS

D749,583 S * 2/2016 Luckey D14/372
D750,074 S * 2/2016 Coz D14/372
D751,072 S * 3/2016 Lyons D14/372

D753,111 S * 4/2016 Fei D14/372
D755,789 S * 5/2016 Lyons D14/372
D757,003 S * 5/2016 Goossens D14/372
D757,726 S * 5/2016 Lee D14/372

* cited by examiner

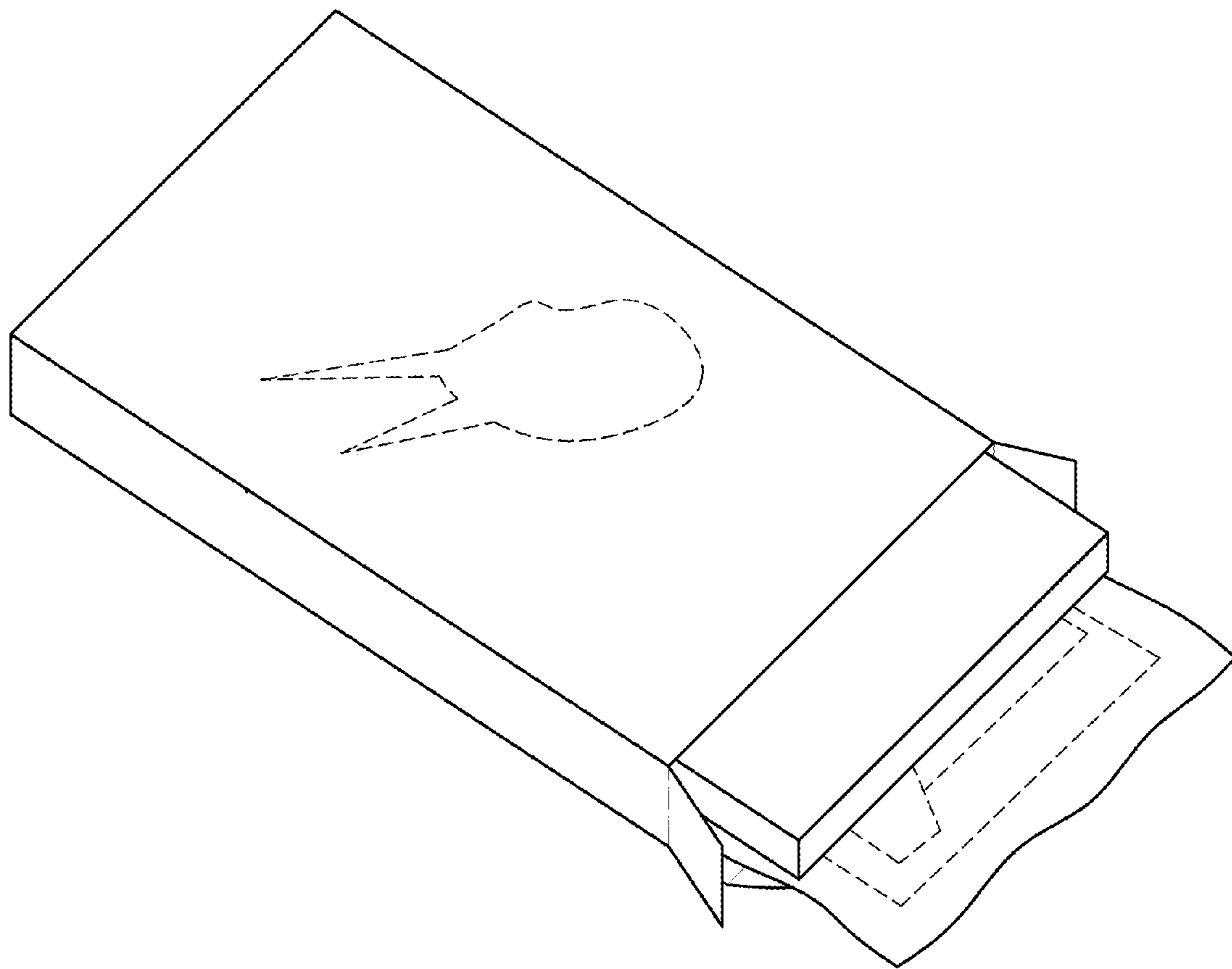


Fig. 1

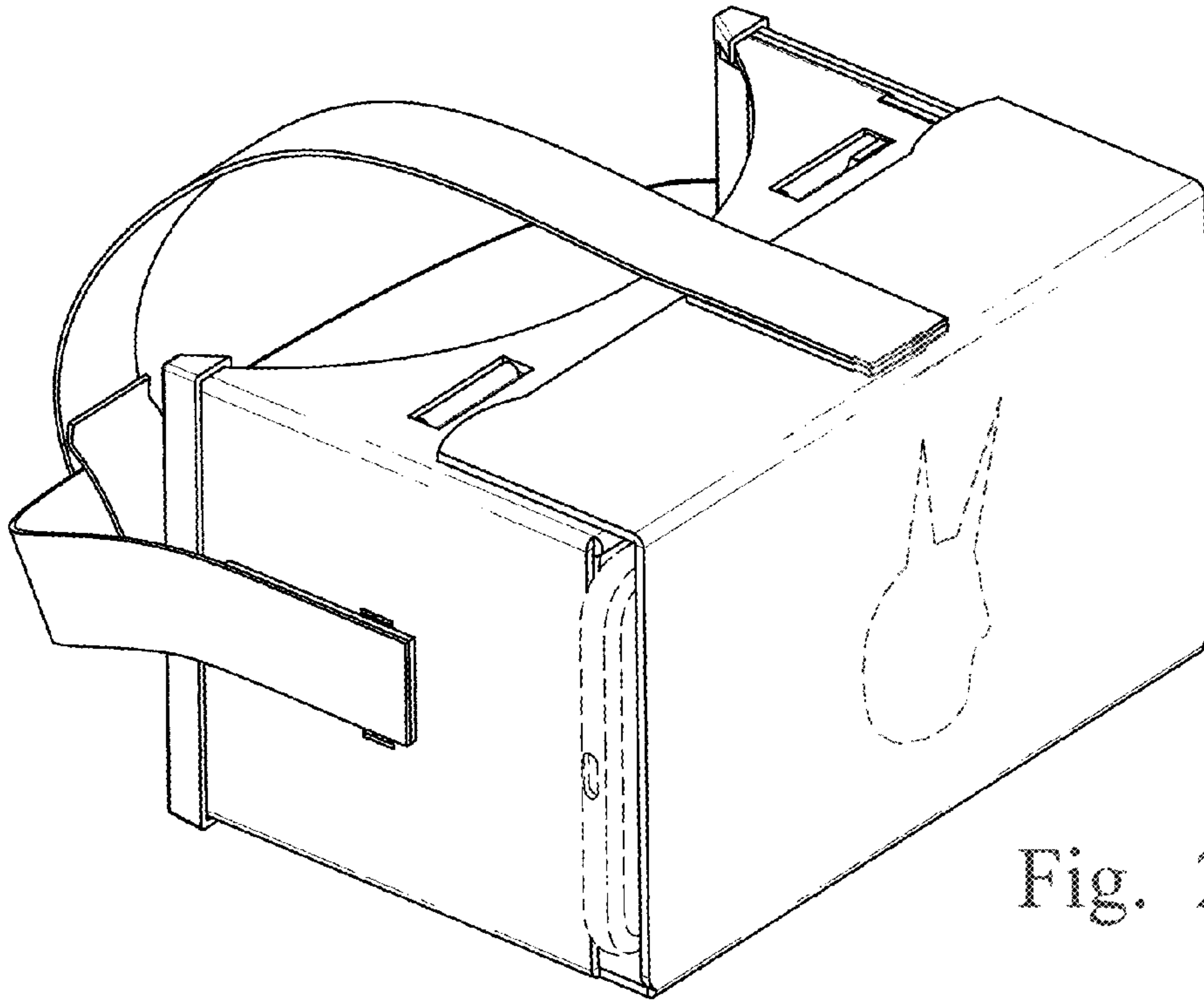


Fig. 2

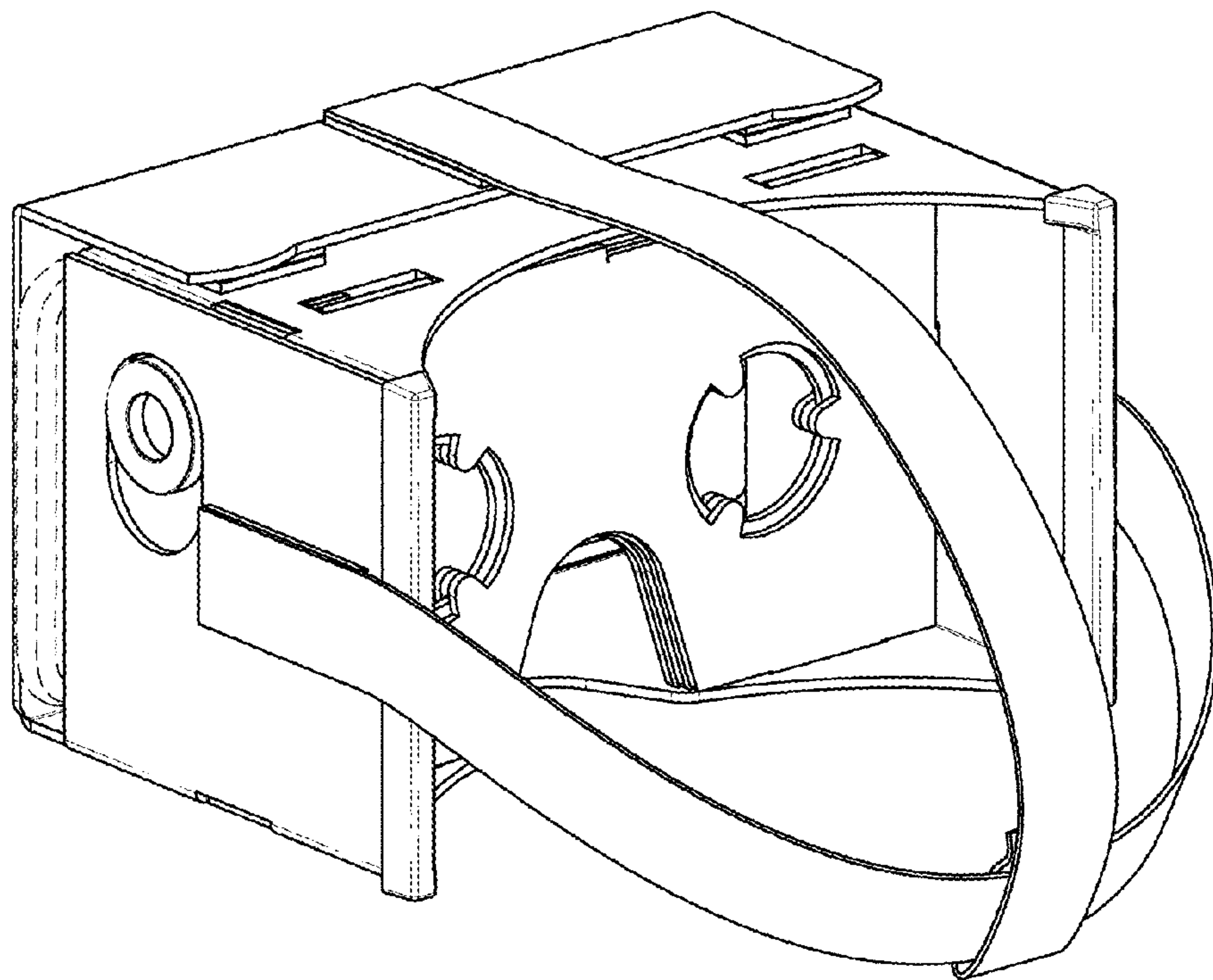


Fig. 3

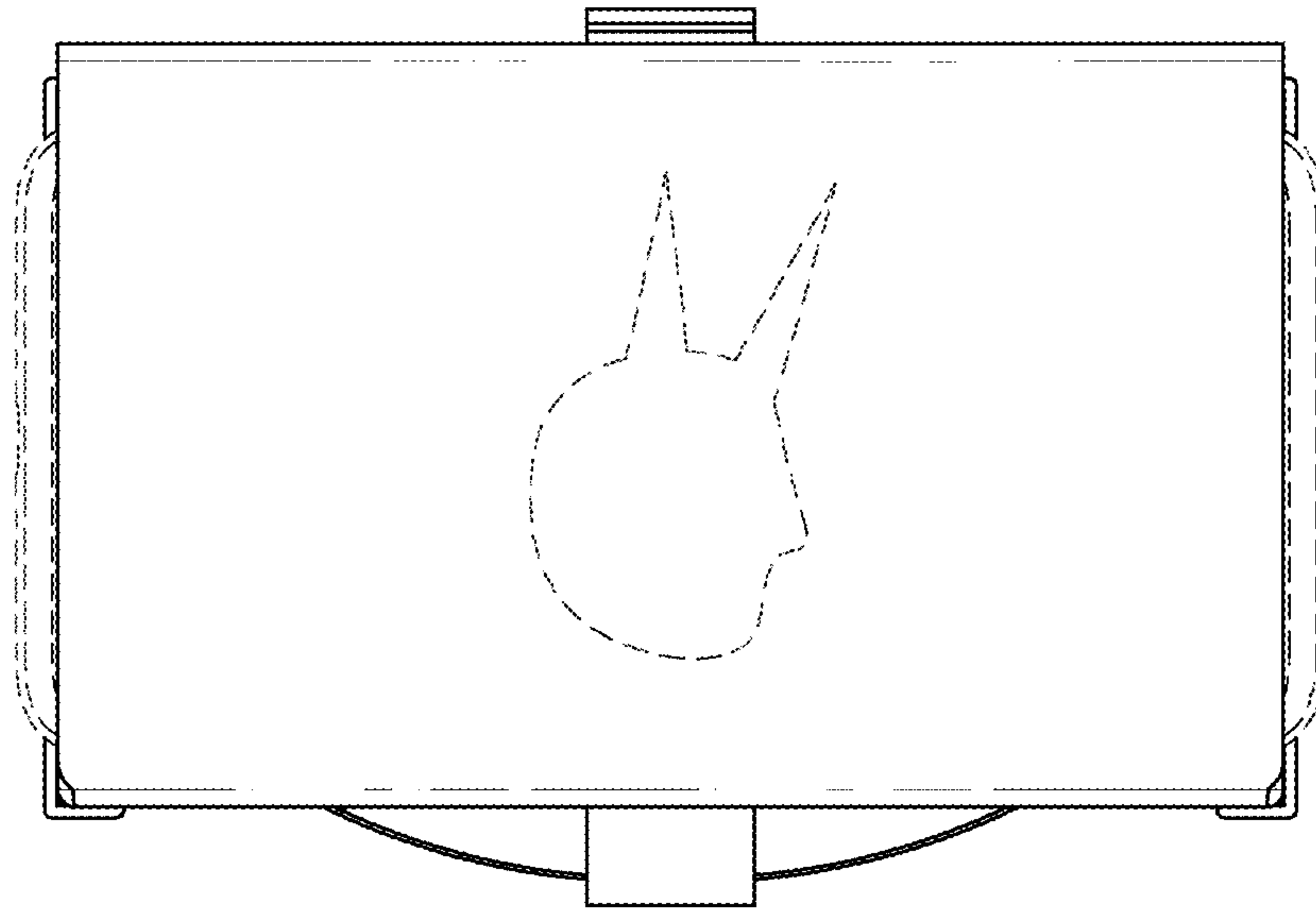


Fig. 4

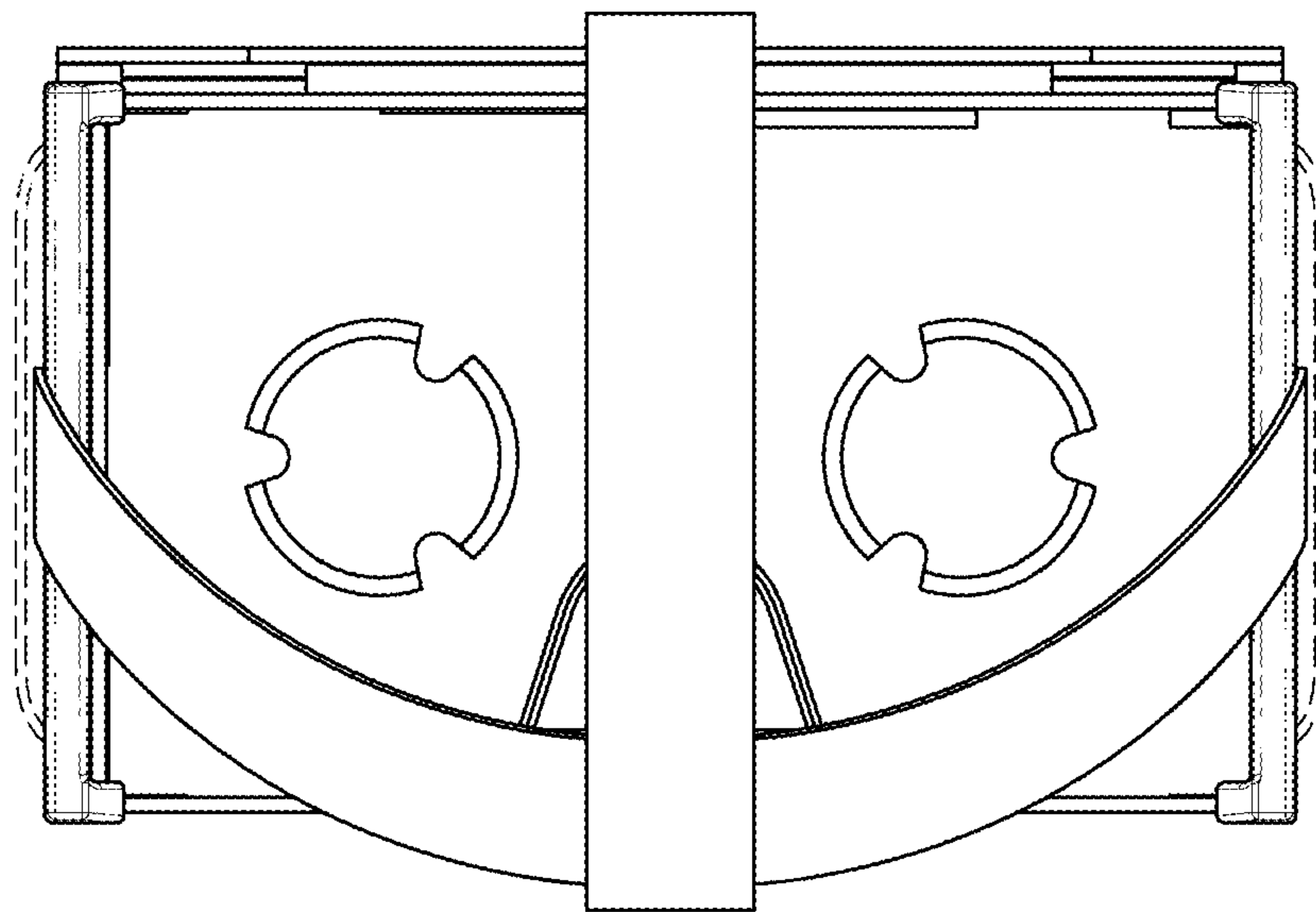


Fig. 5

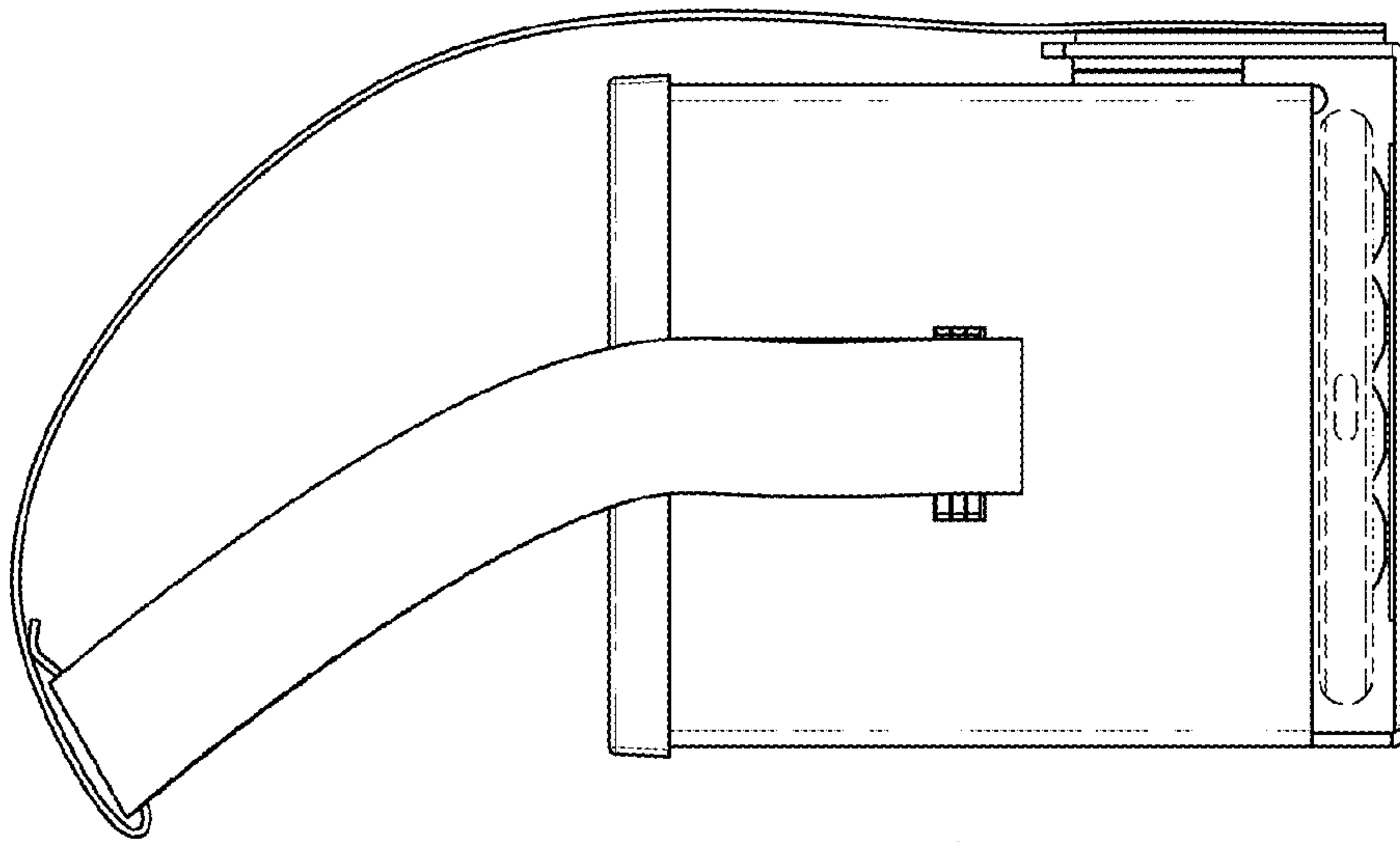


Fig. 6

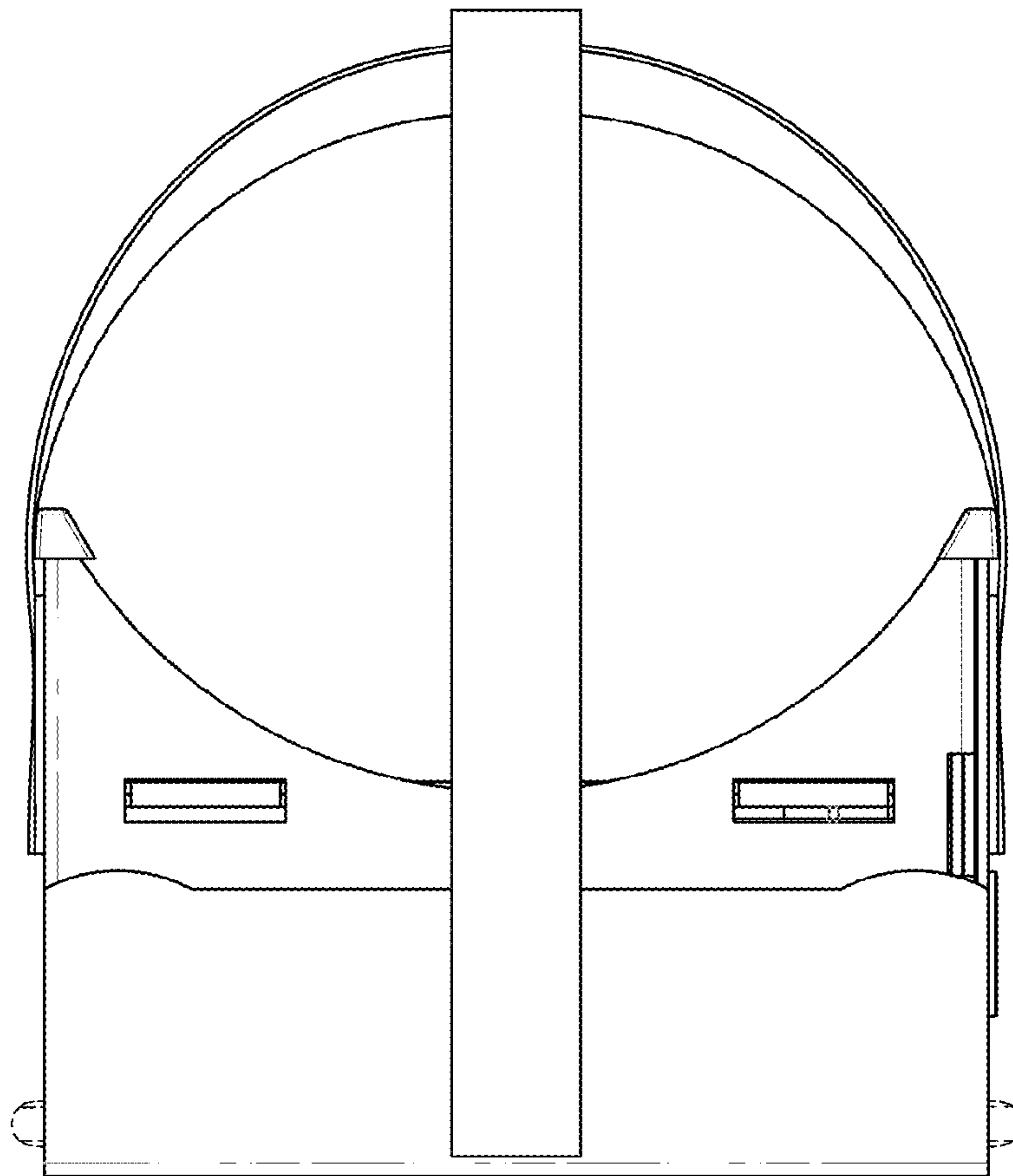


Fig. 7

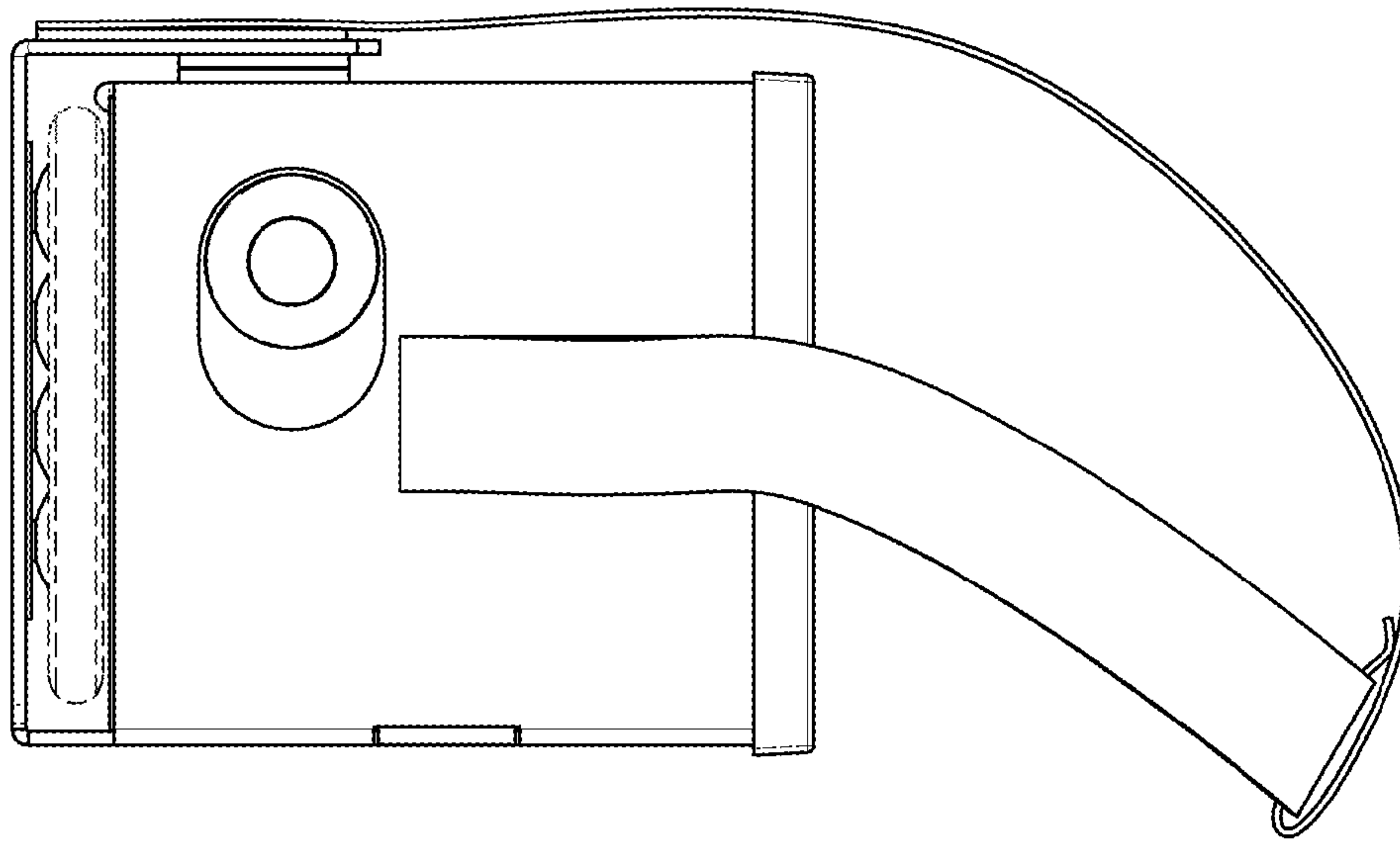


Fig. 8

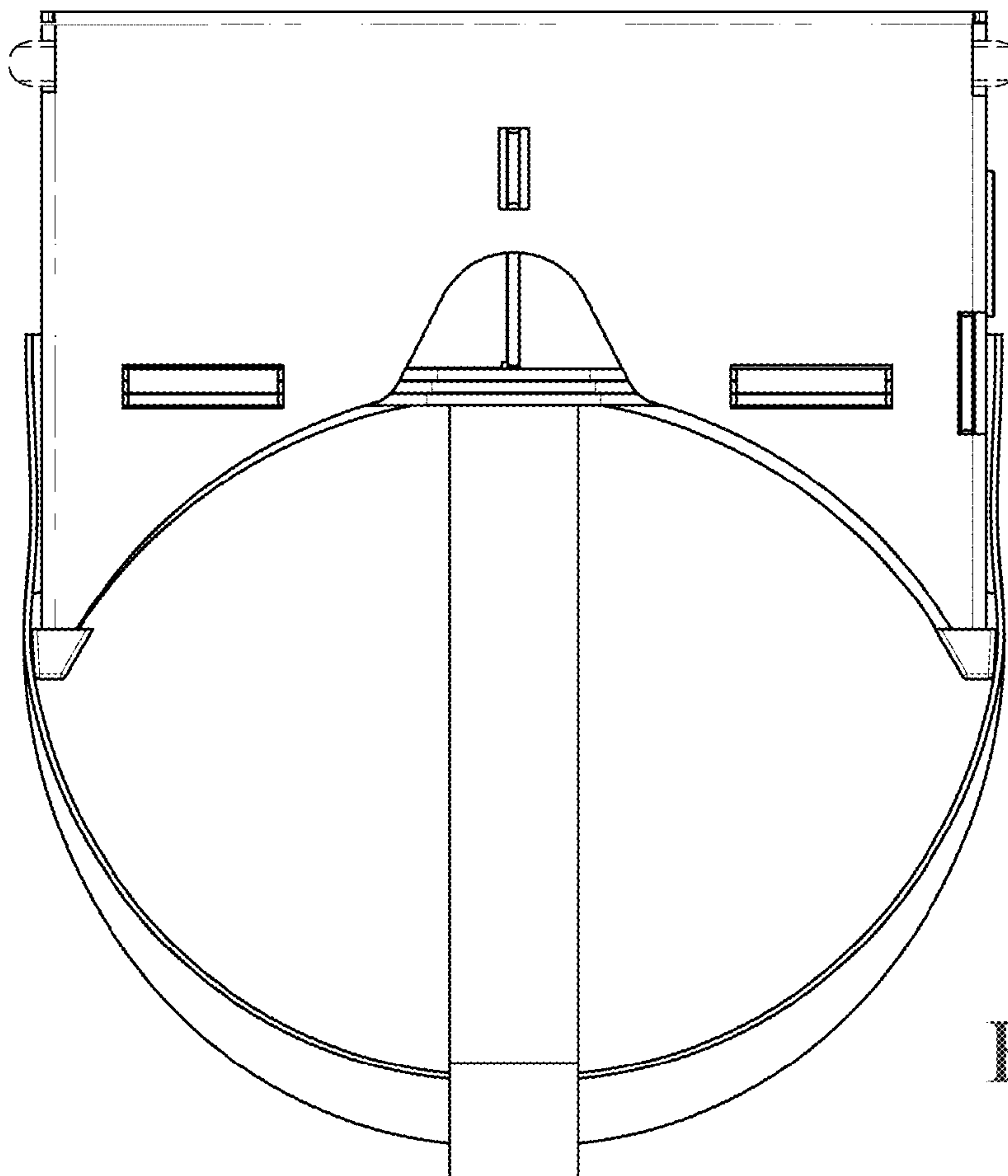


Fig. 9

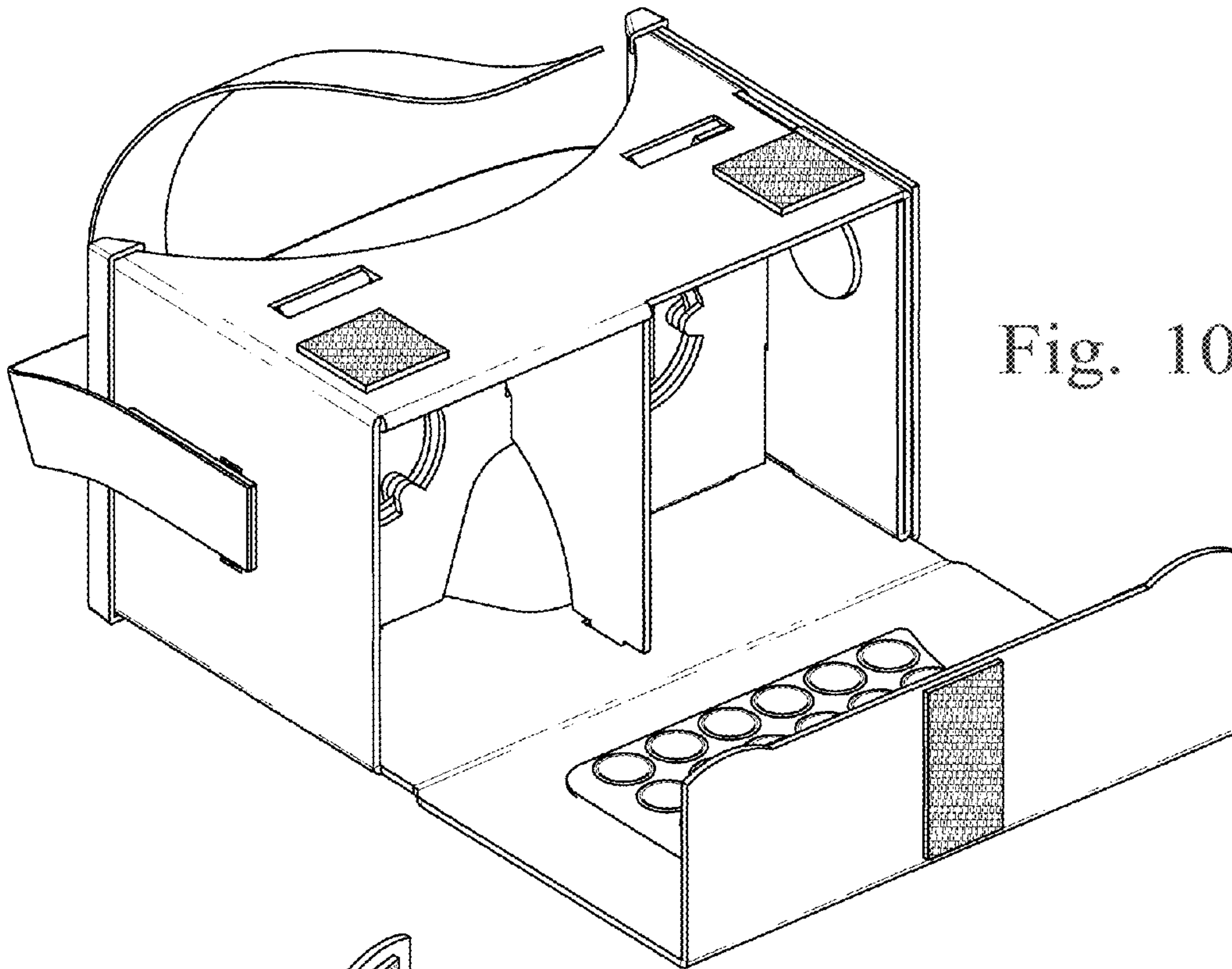


Fig. 10

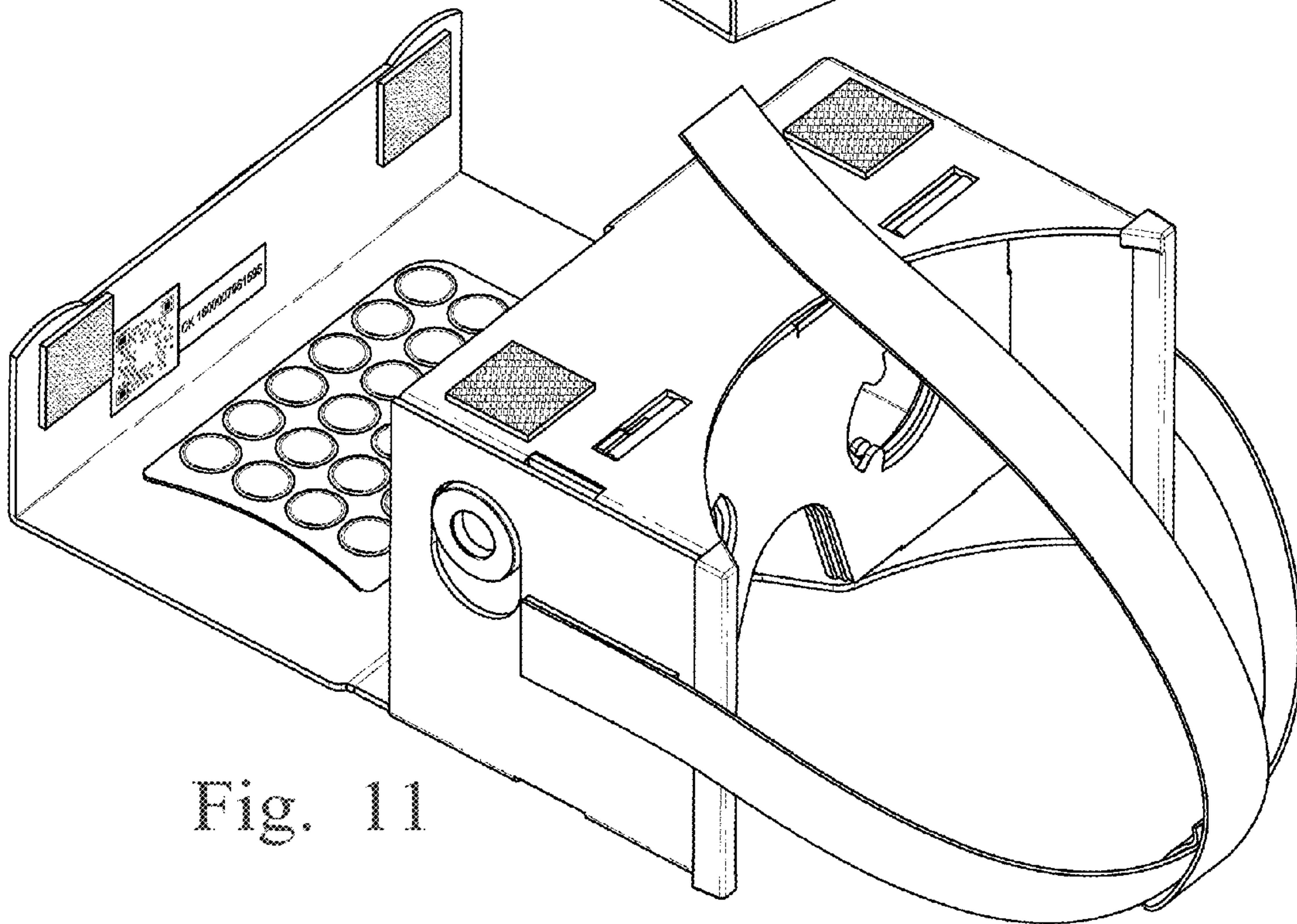


Fig. 11