



US00D765656S

(12) **United States Design Patent** (10) **Patent No.:** **US D765,656 S**
Forakis (45) **Date of Patent:** **** Sep. 6, 2016**

(54) **MONITORING DEVICE, SENSOR UNIT, AND BAND**

FOREIGN PATENT DOCUMENTS

(71) Applicant: **OOO "KHILBI"**, Moscow (RU)

RU 79571 9/2011

Primary Examiner — Antoine D Davis

(72) Inventor: **Jozeph Forakis**, Milan (IT)

(74) *Attorney, Agent, or Firm* — Patentbar International, P.C.

(73) Assignee: **Healbe HK Limited**, Wanchai (HK)

(**) Term: **15 Years**

(57) **CLAIM**

The ornamental design for a monitoring device, sensor unit, and band, as shown and described.

(21) Appl. No.: **29/529,743**

(22) Filed: **Jun. 10, 2015**

DESCRIPTION

(30) **Foreign Application Priority Data**

Dec. 10, 2014 (RU) 2014504845

(51) **LOC (10) Cl.** **14-02**

(52) **U.S. Cl.**
USPC **D14/344**; D10/38; D10/70; D10/98;
D24/168

(58) **Field of Classification Search**
USPC D10/30-39, 65, 70, 78, 97, 98; D11/3;
D14/138 R, 203.5, 203.6, 341, 344,
D14/347; D24/167, 168
CPC A44C 5/00-5/16; G04B 37/00-37/228;
G04B 45/0069; G04B 47/04; G04B
19/00-19/34; G04B 21/12; G04B 23/12;
G04B 47/00-47/068; G01C 17/00; G01C
21/00-21/3697

See application file for complete search history.

(56) **References Cited**

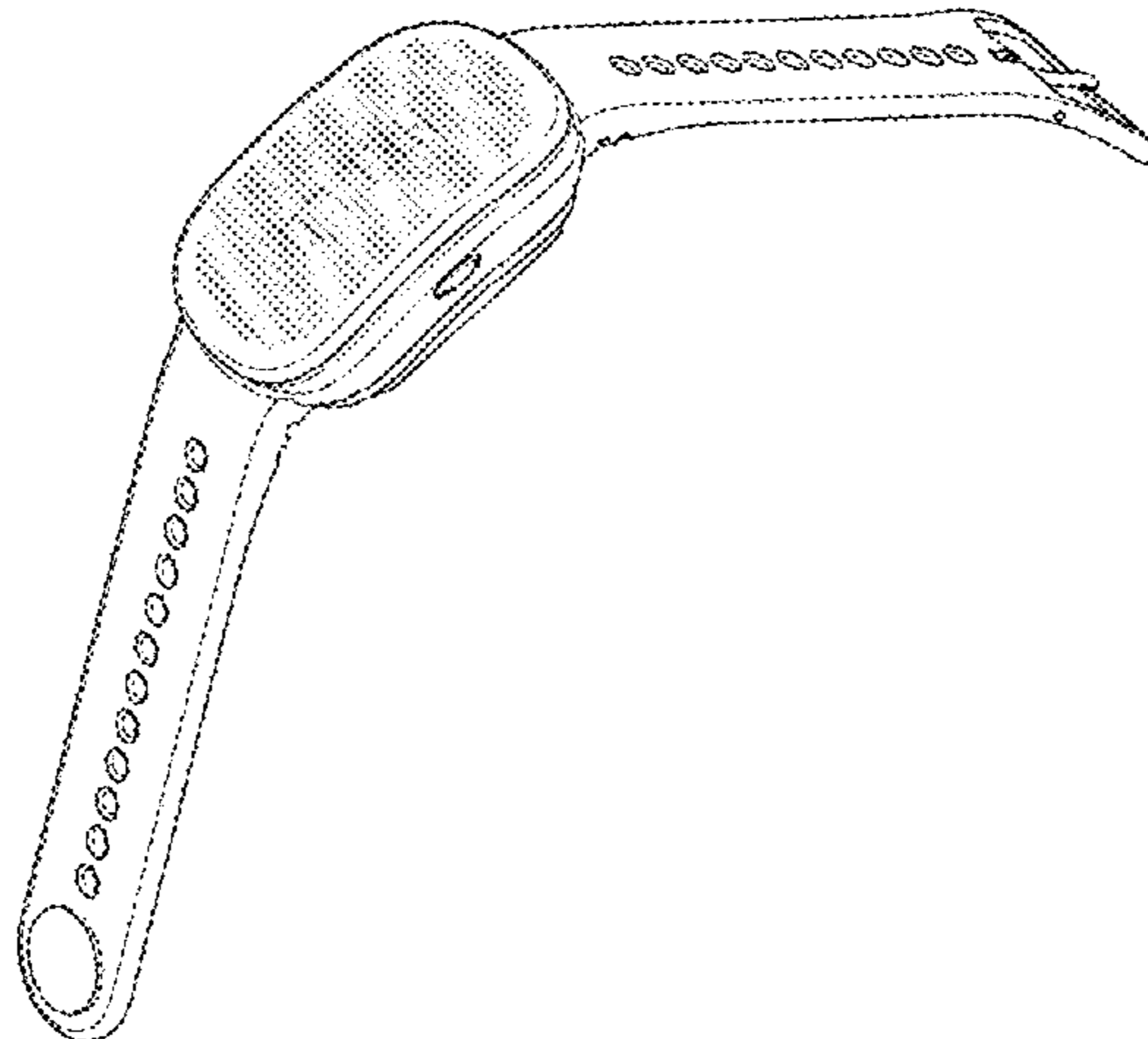
U.S. PATENT DOCUMENTS

D474,981 S * 5/2003 Wilson D10/32
D474,982 S * 5/2003 Wilson D10/32
D503,894 S * 4/2005 Tu D10/30
D511,978 S * 11/2005 Wilson D10/30
D512,921 S * 12/2005 Wilson D10/30
D513,997 S * 1/2006 Wilson D10/30
D548,113 S * 8/2007 Burton D10/32
D631,552 S 1/2011 Kasabach et al.

(Continued)

FIG. 1 is general view of the monitoring device, embodying the new design;
FIG. 2 is a top view thereof;
FIG. 3 is a bottom view thereof;
FIG. 4 is a right side view thereof;
FIG. 5 is a left side view thereof;
FIG. 6 is a front view thereof;
FIG. 7 is a back view thereof;
FIG. 8 is general view of the sensor unit, embodying the new design;
FIG. 9 is another general view thereof;
FIG. 10 is a general view from the bottom thereof;
FIG. 11 is a top view thereof;
FIG. 12 is a bottom view thereof;
FIG. 13 is a right side view thereof;
FIG. 14 is a left side view thereof;
FIG. 15 is a back view thereof;
FIG. 16 is a front view thereof;
FIG. 17 is general view of the band, embodying the new design;
FIG. 18 is a top view thereof;
FIG. 19 is a bottom view thereof;
FIG. 20 is a right side view thereof;
FIG. 21 is a left side view thereof;
FIG. 22 is a front view thereof; and,
FIG. 23 is a back view thereof.
The broken lines if present in the drawings are for illustration purposes only and form no part of the claimed design.

1 Claim, 14 Drawing Sheets



(56)

References Cited

U.S. PATENT DOCUMENTS

D632,604 S * 2/2011 Hanson D11/3
D637,506 S * 5/2011 Toyoshima D10/70
D645,968 S 9/2011 Kasabach et al.
D660,185 S * 5/2012 Schrepfer D10/32
D667,126 S 9/2012 Cho et al.
D687,736 S * 8/2013 Wycoff D11/3
D688,968 S * 9/2013 Guerrero, II D11/3

D718,866 S * 12/2014 Law D24/167
D720,641 S * 1/2015 Rummonds D11/3
D725,072 S * 3/2015 Kim D10/38
D727,196 S * 4/2015 Tanner D11/3
D730,526 S * 5/2015 Shin D24/165
D731,898 S * 6/2015 Squires D10/30
D736,107 S * 8/2015 Lee D10/70
D745,868 S * 12/2015 Choi D10/32
D747,226 S * 1/2016 Kuang D10/70

* cited by examiner

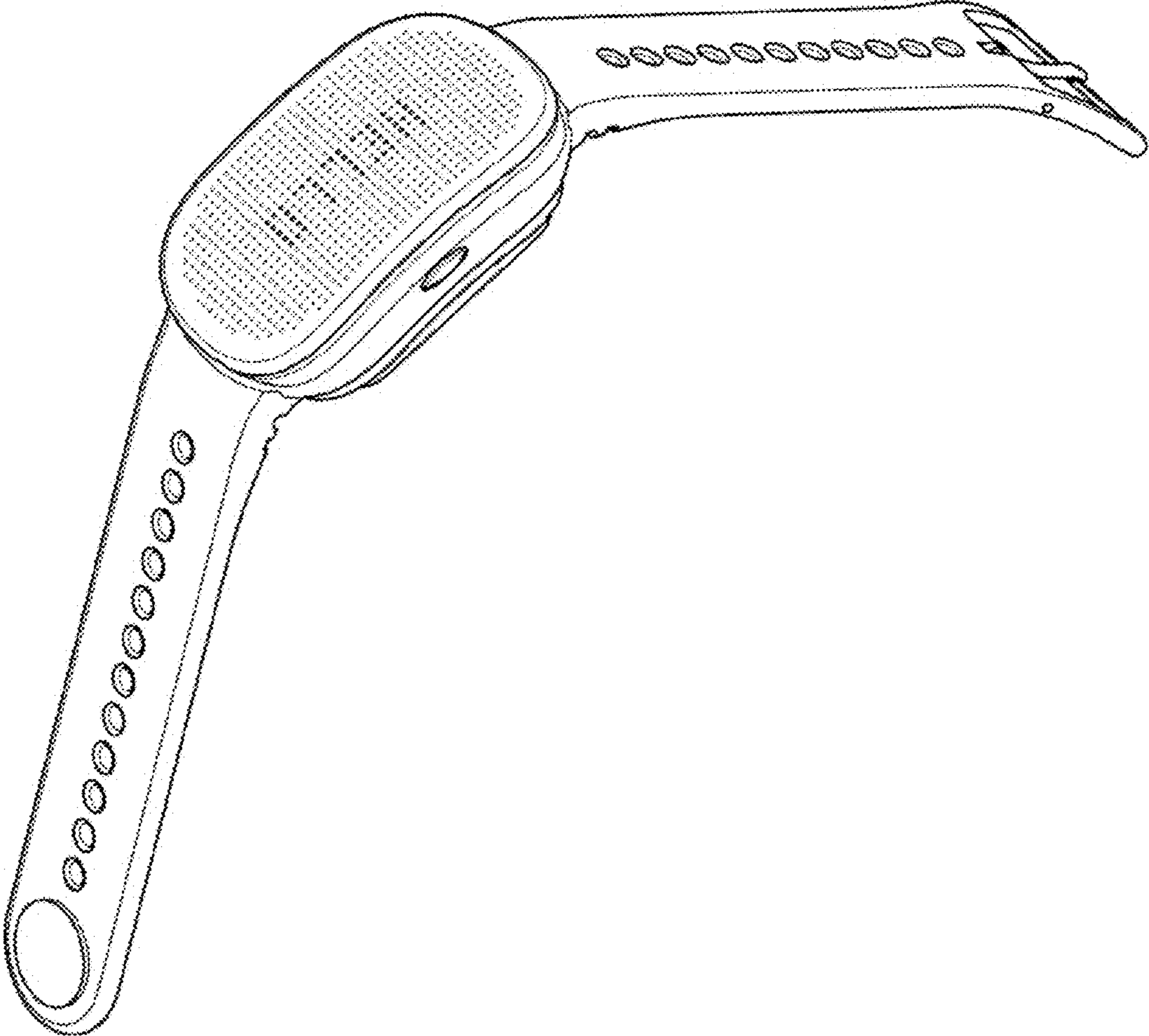


FIG. 1

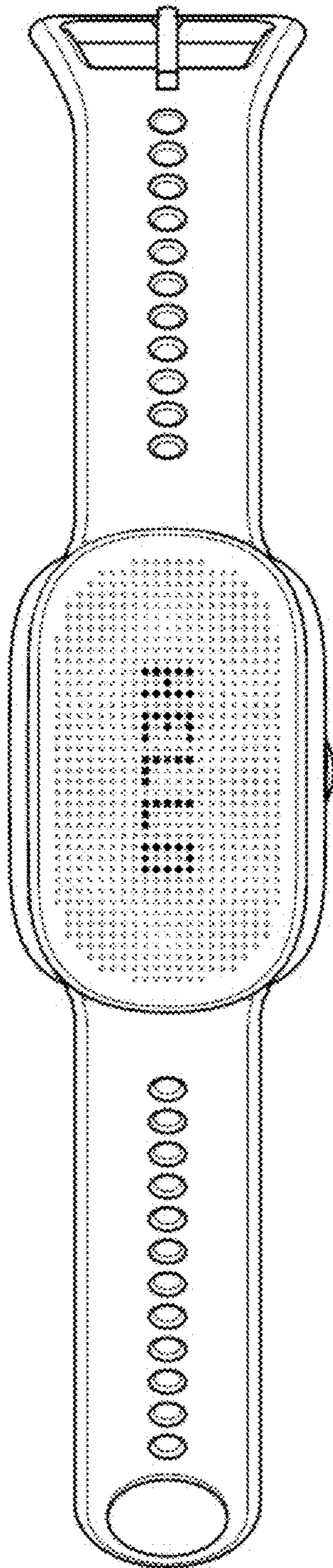


FIG. 2

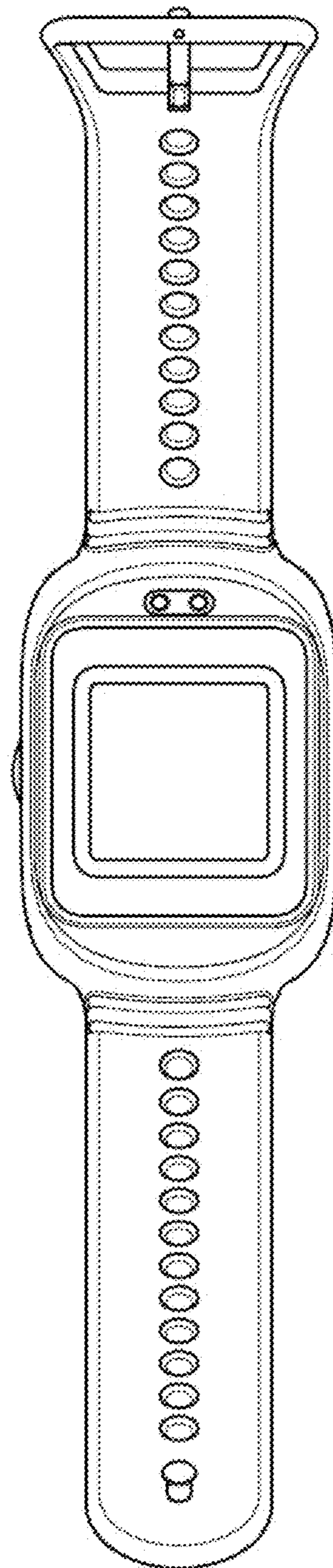


FIG. 3

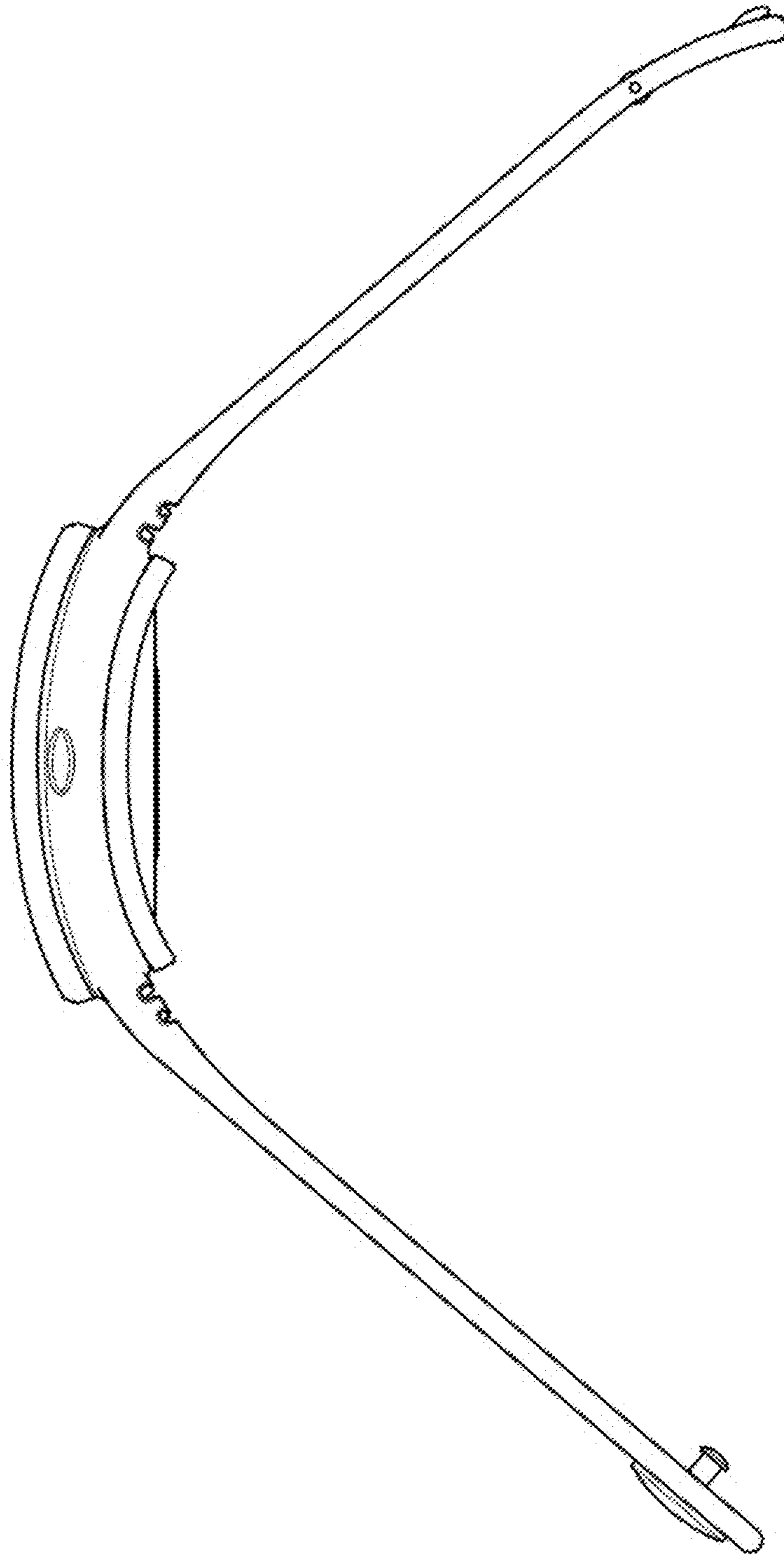


FIG. 4

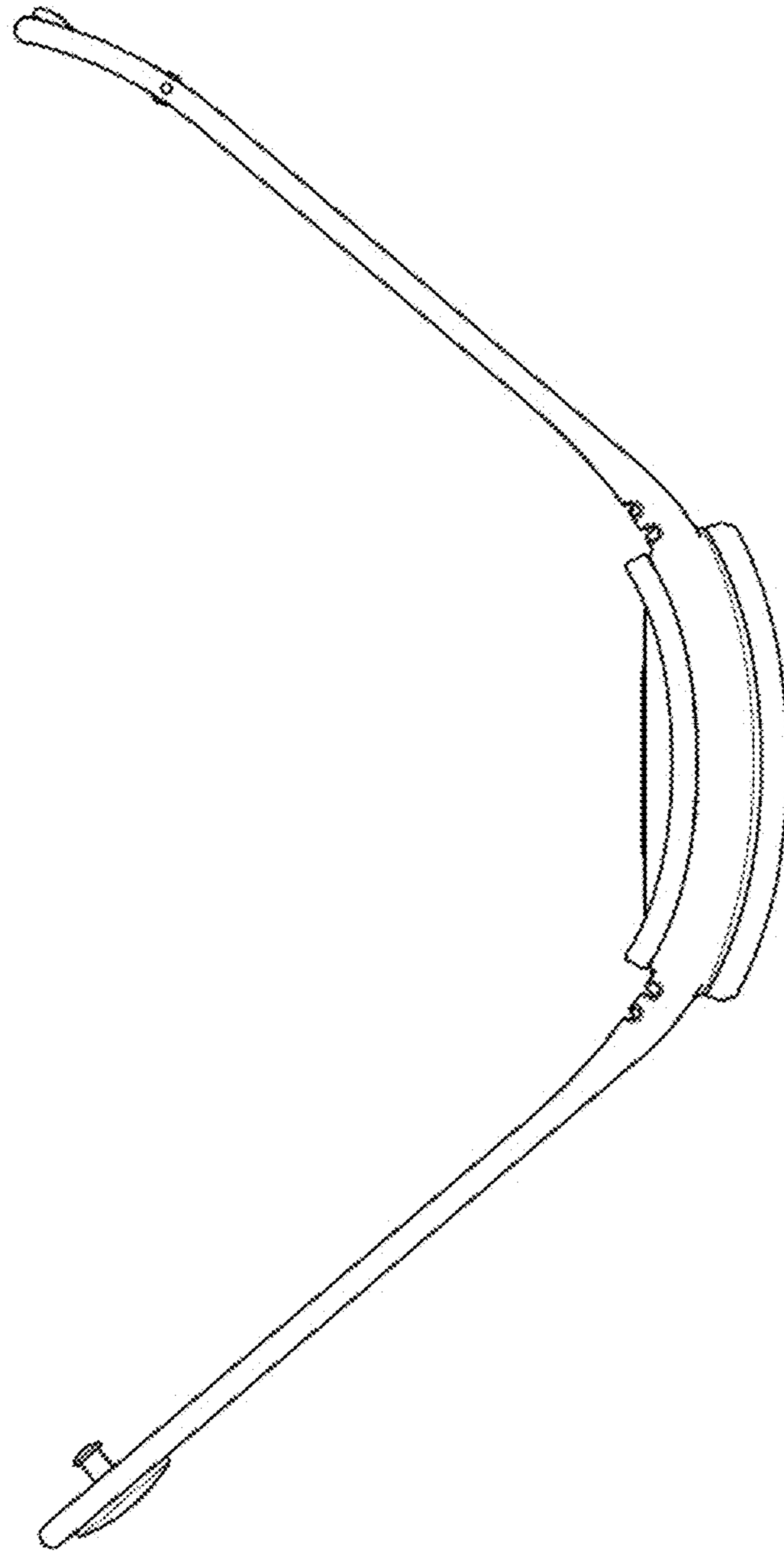


FIG. 5

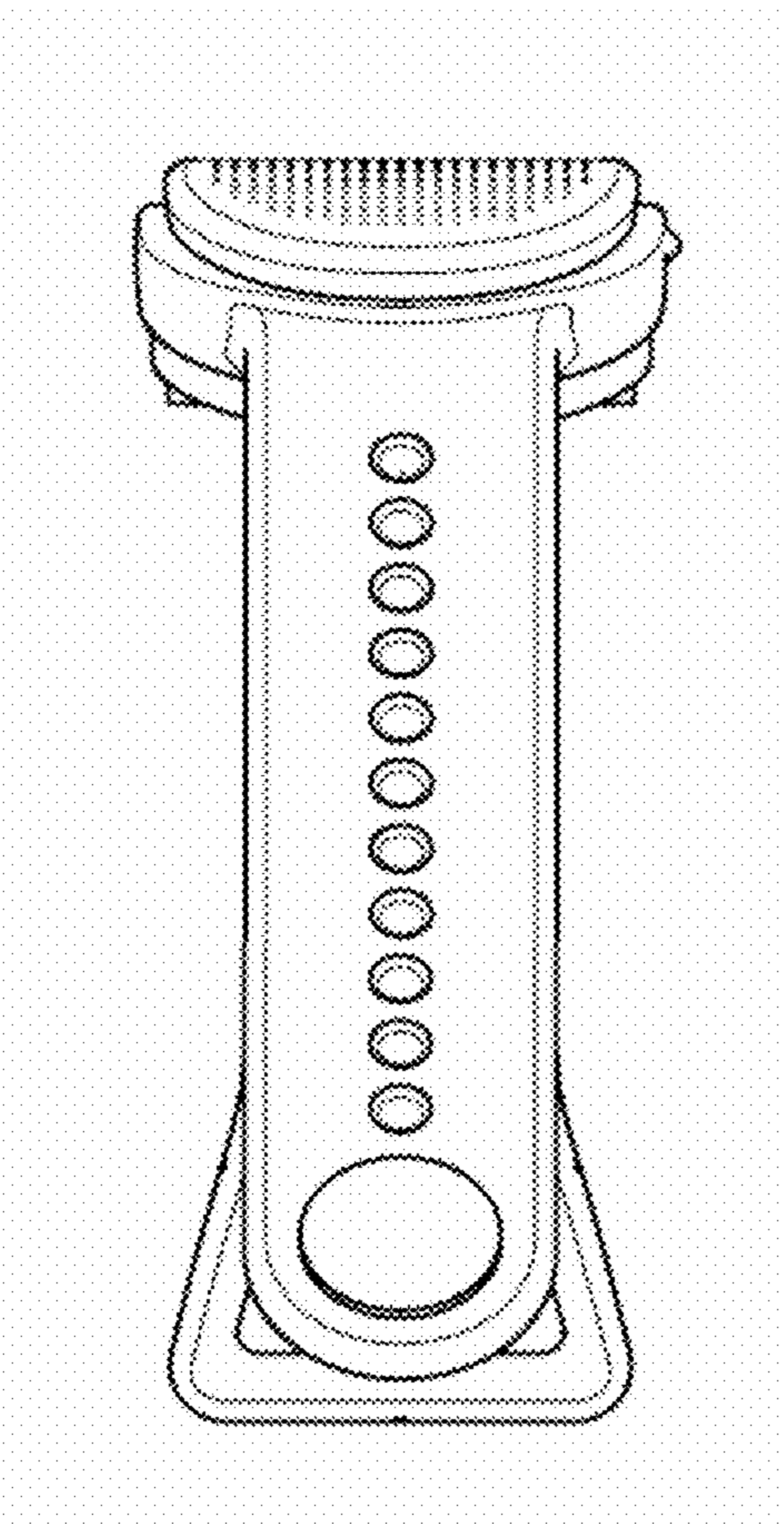


FIG. 6

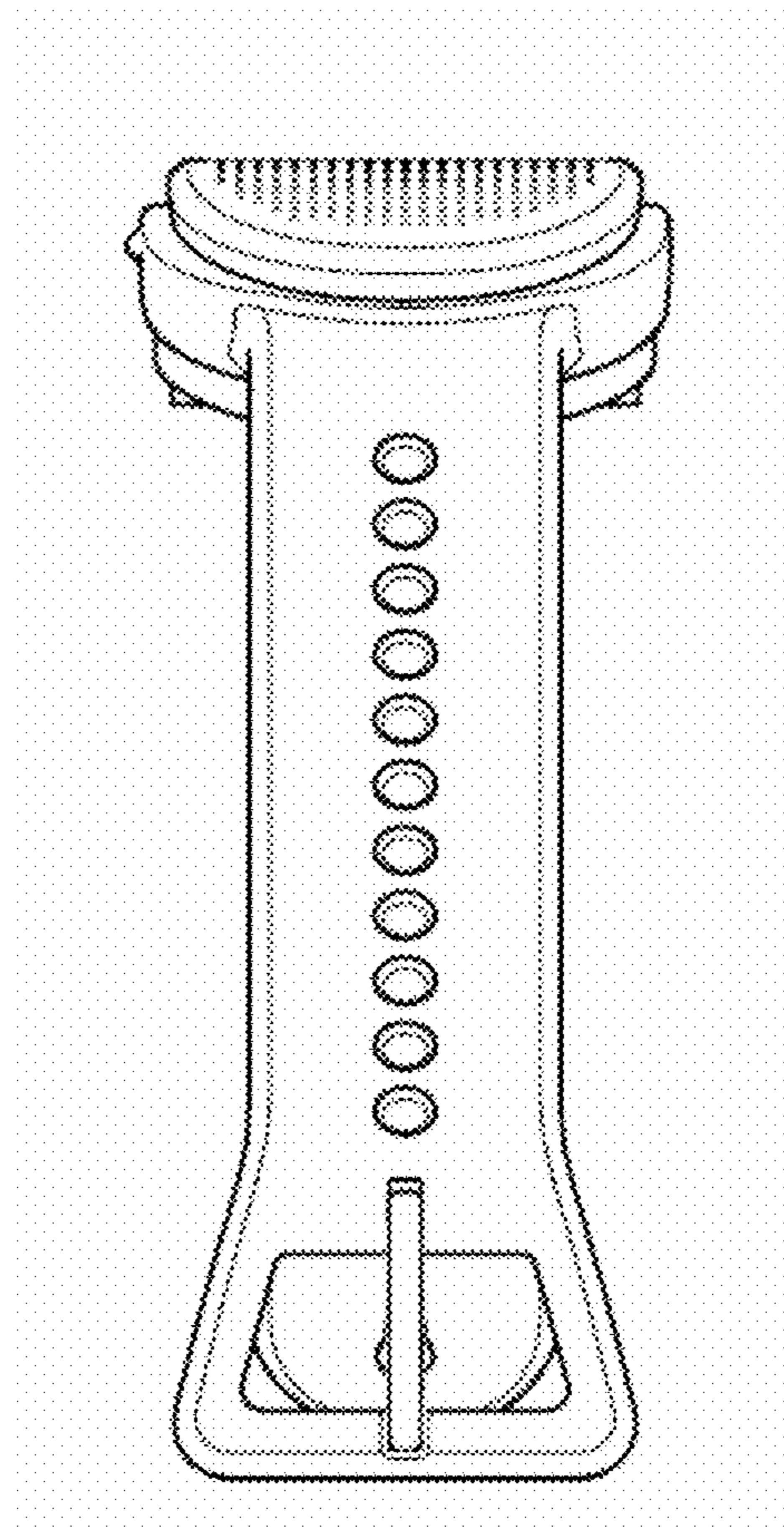


FIG. 7

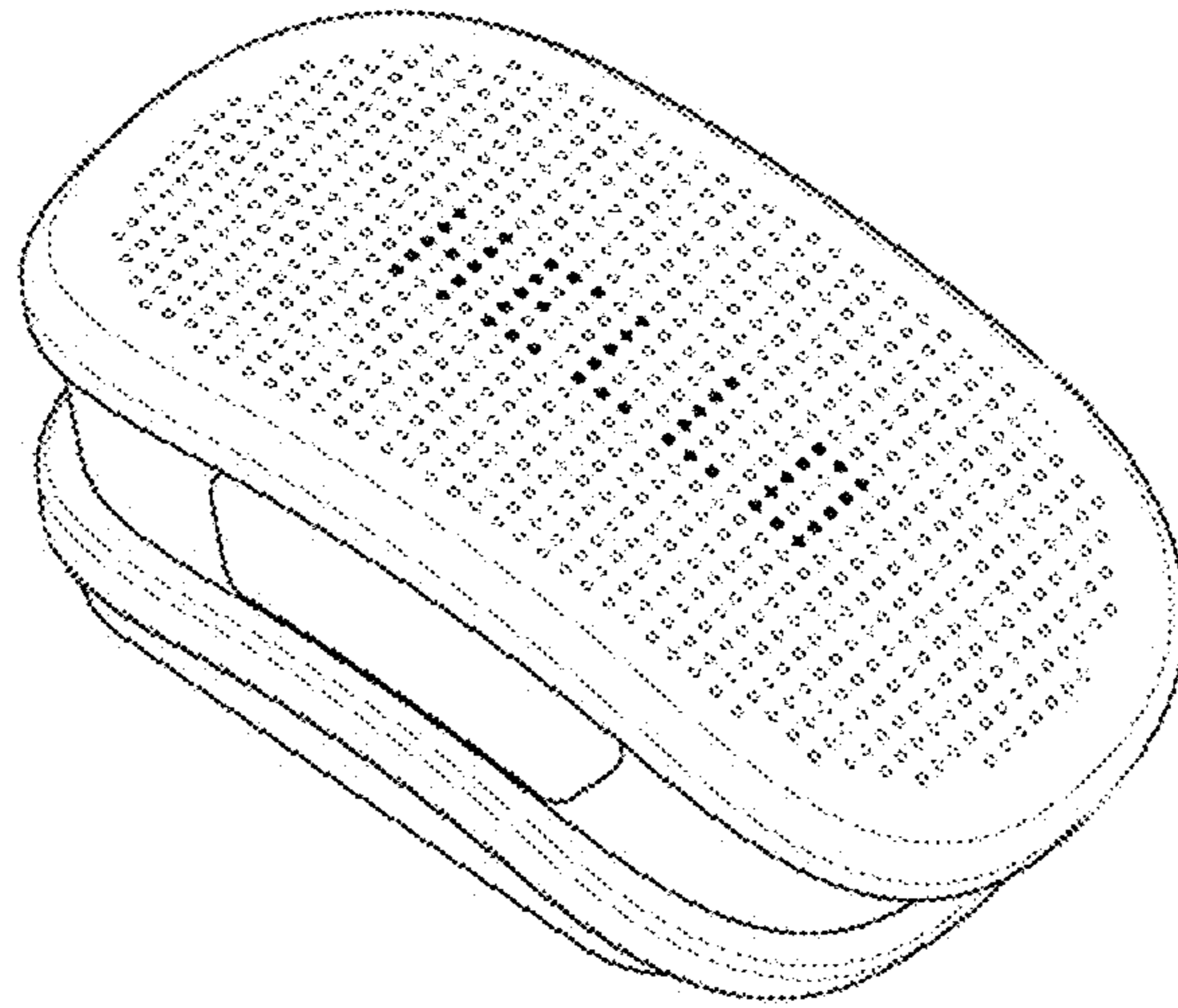


FIG. 8 (general view)

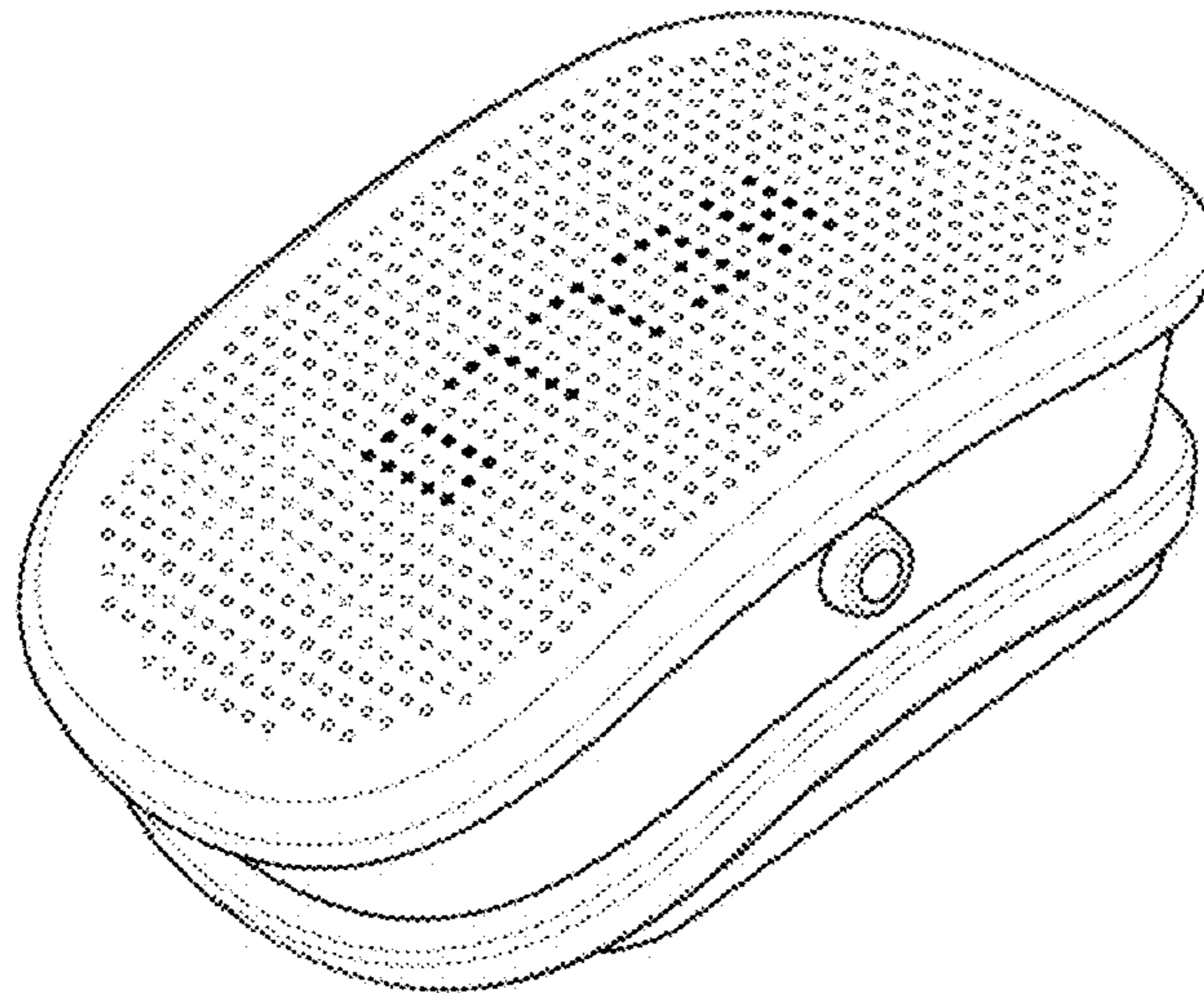


FIG. 9

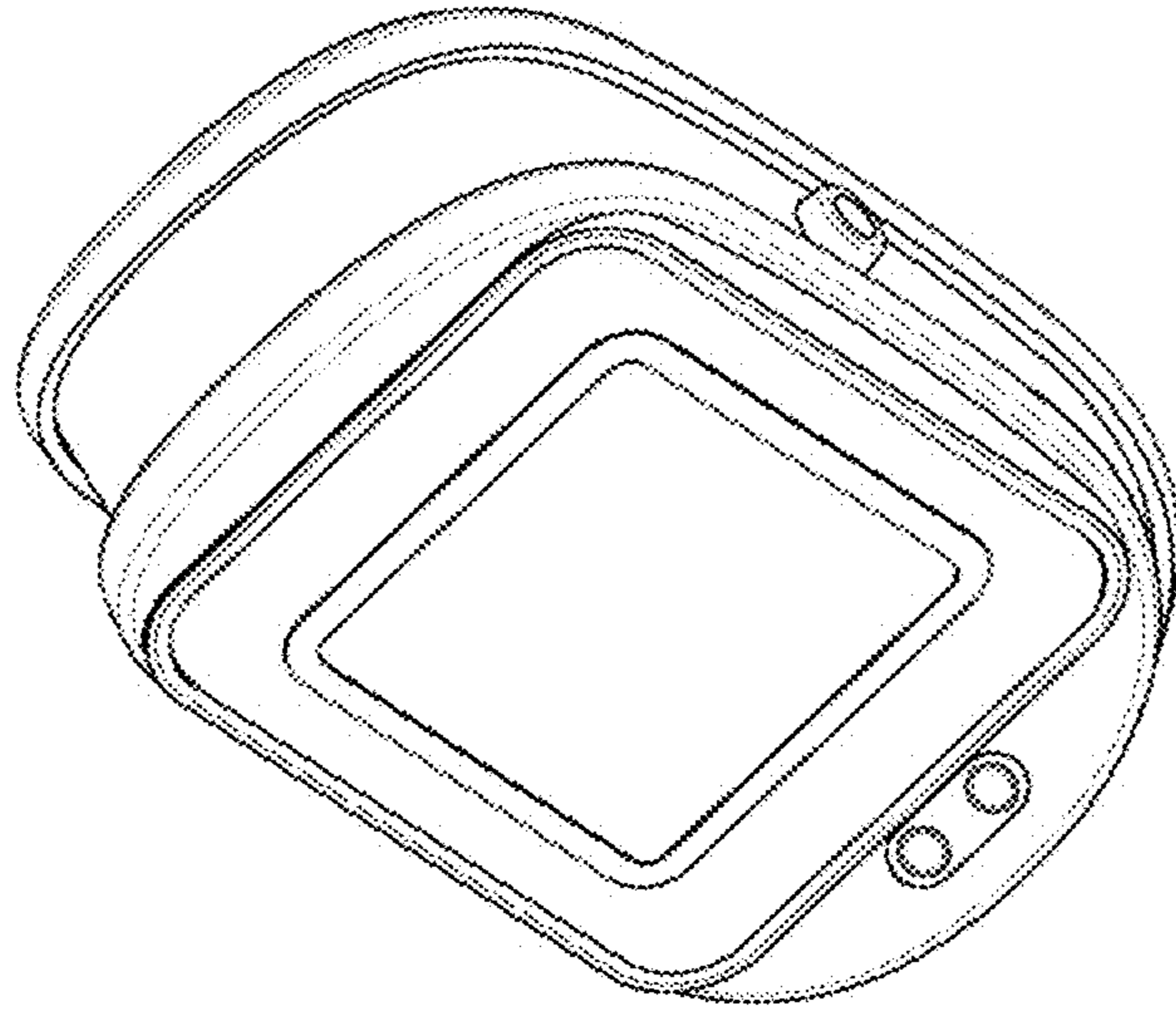


FIG. 10

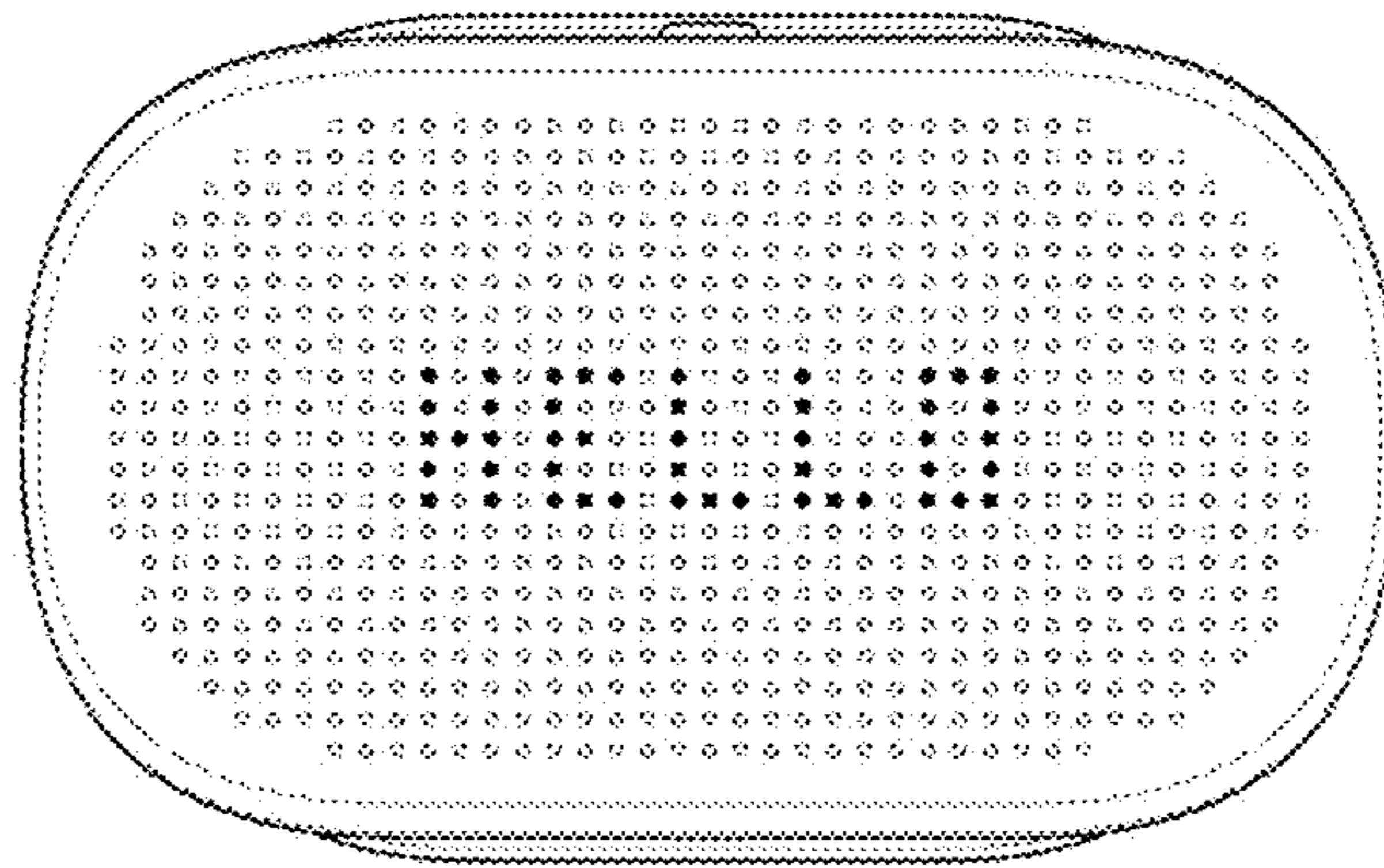


FIG. 11

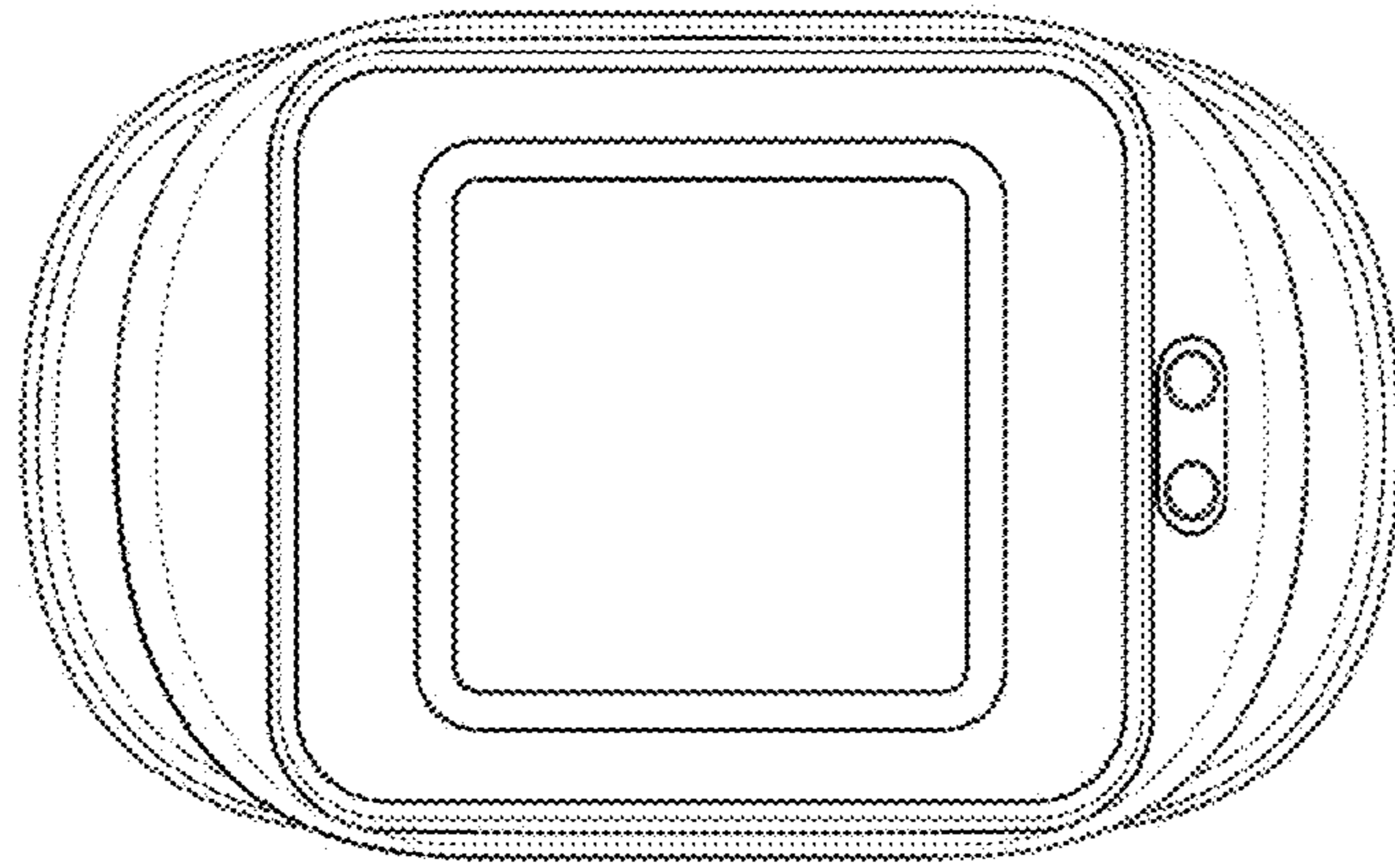


FIG. 12

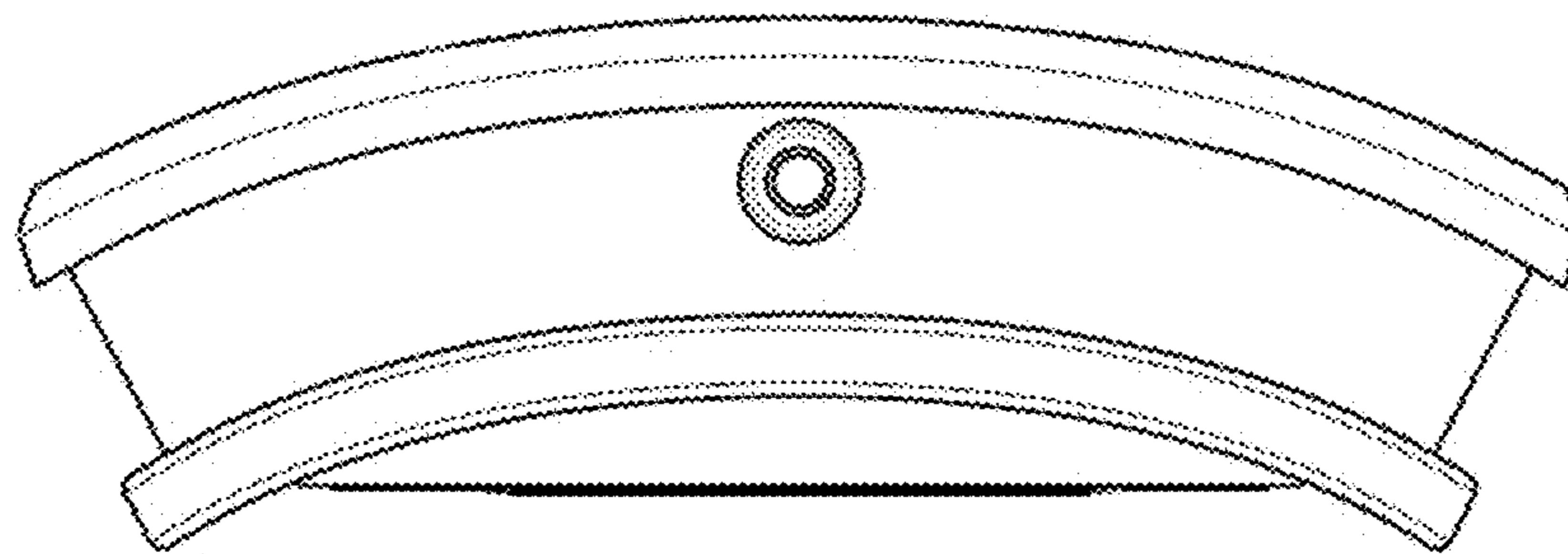


FIG. 13

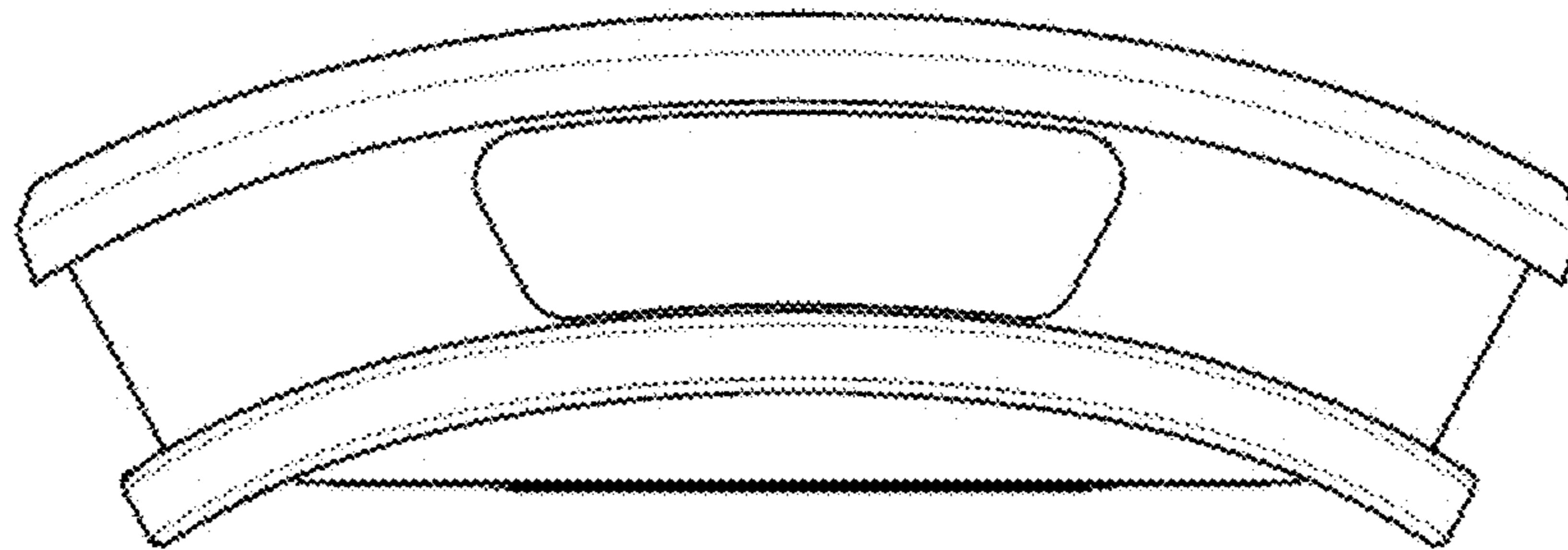


FIG. 14

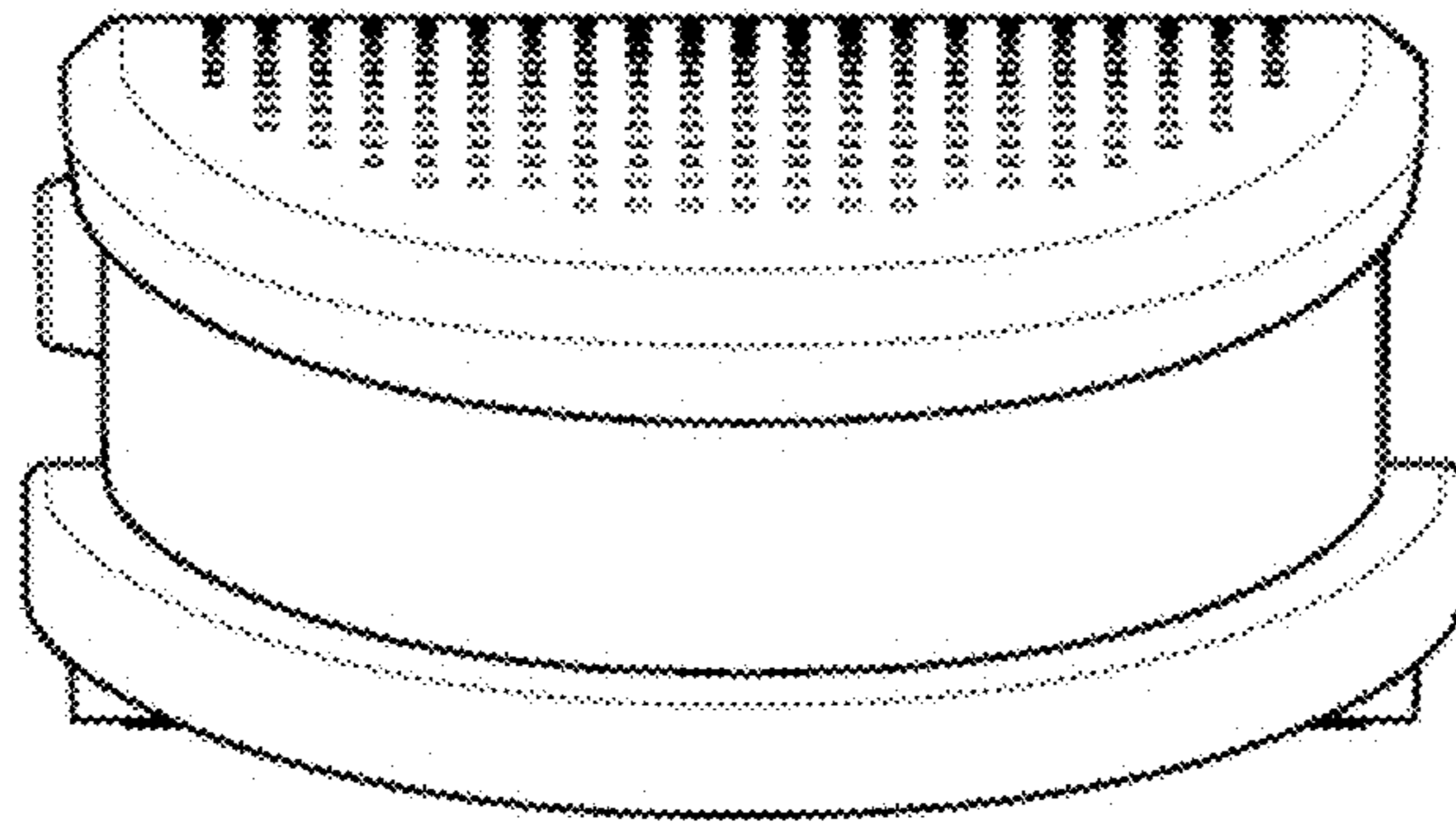


FIG. 15

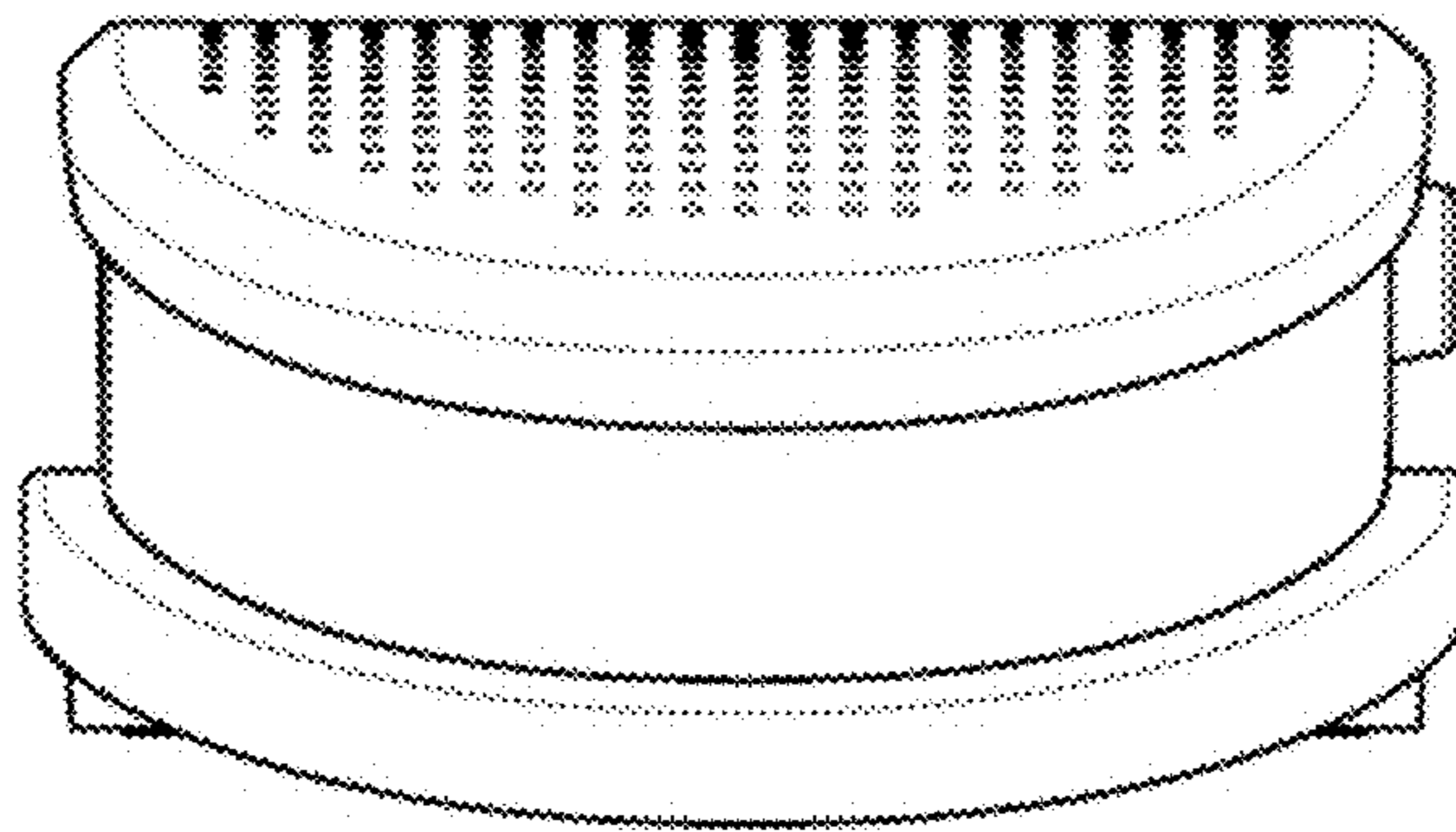


FIG. 16

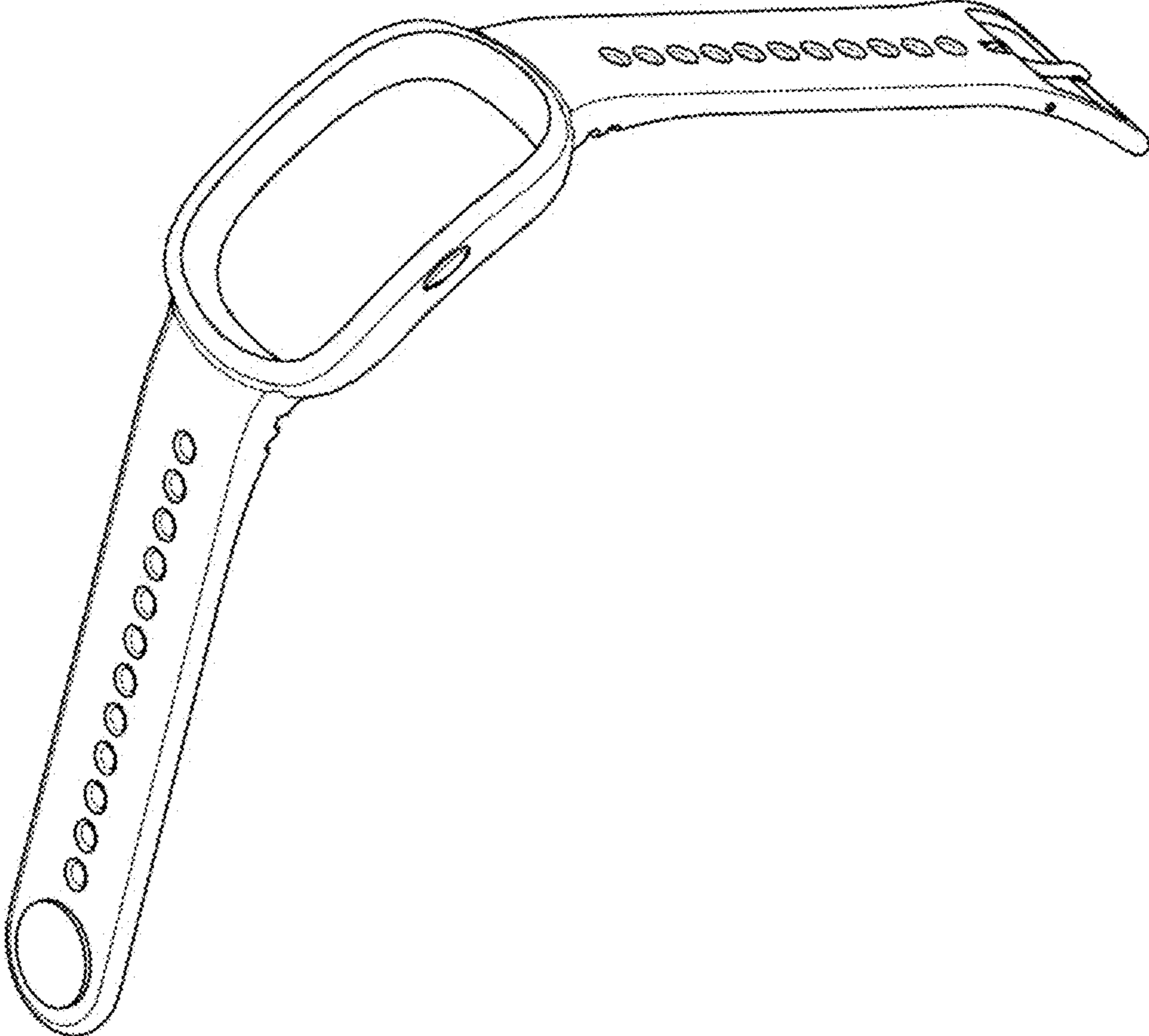


FIG. 17

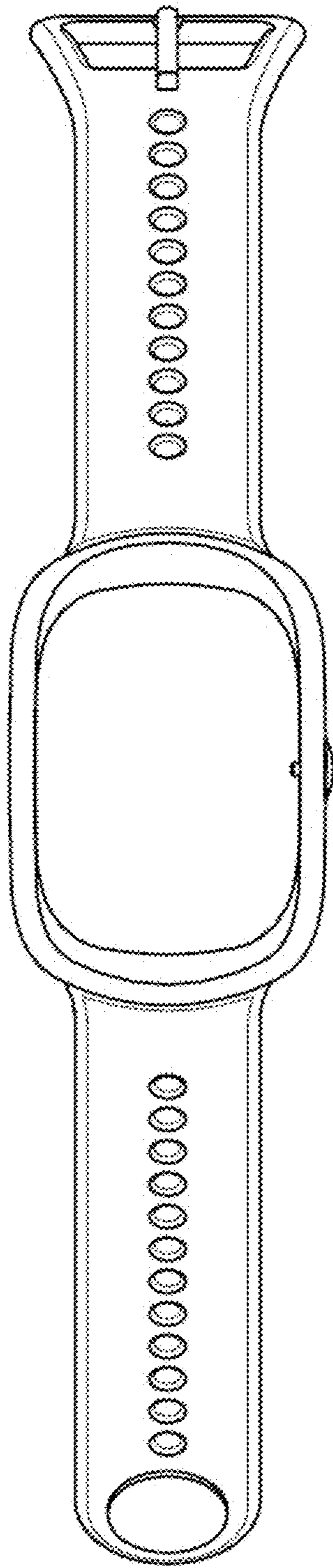


FIG. 18

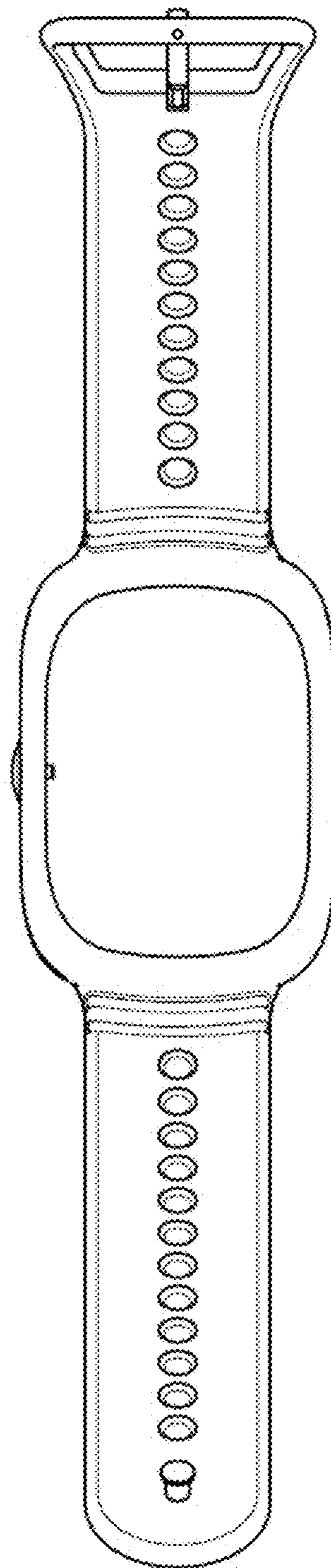


FIG. 19

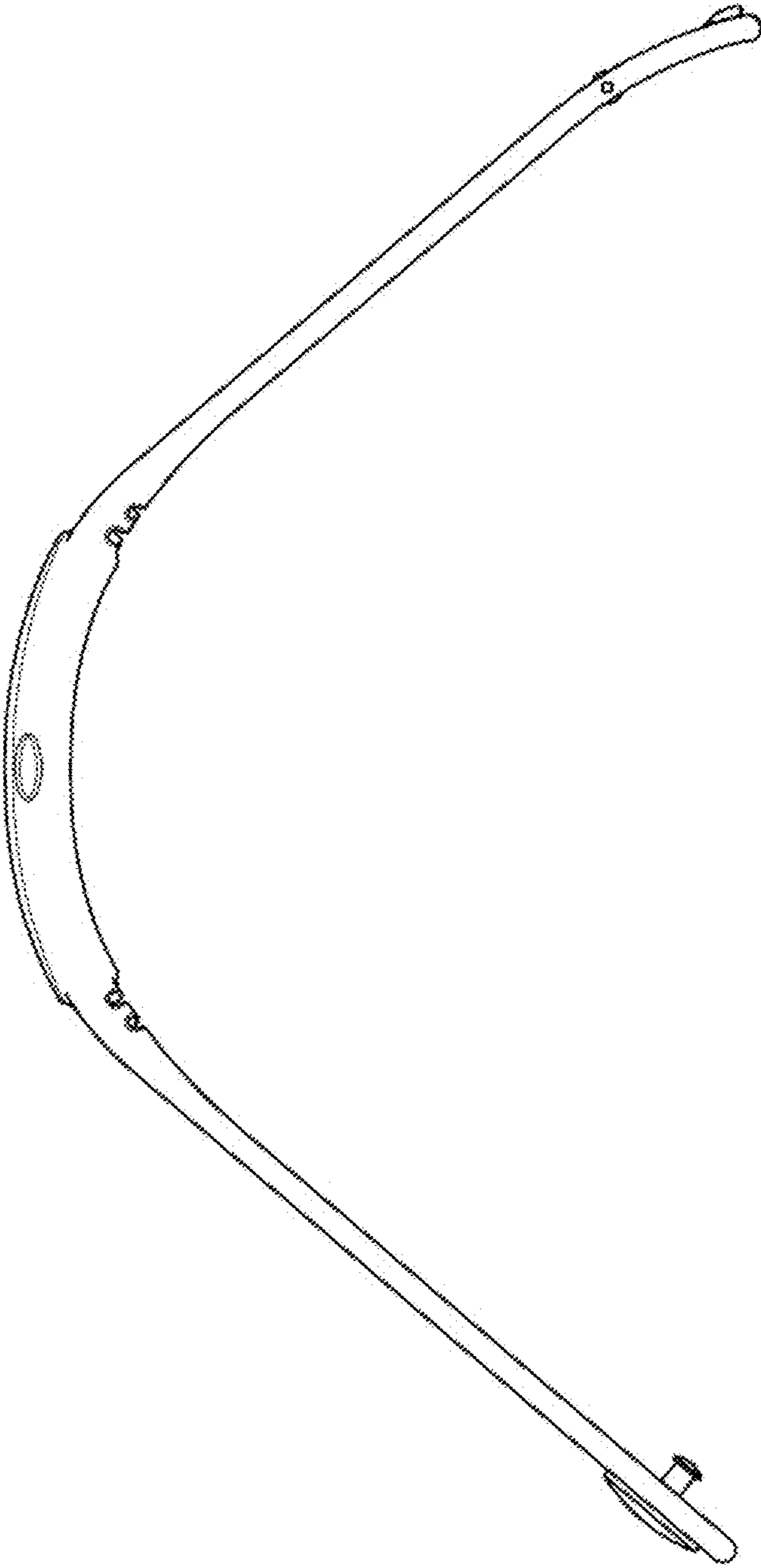


FIG. 20

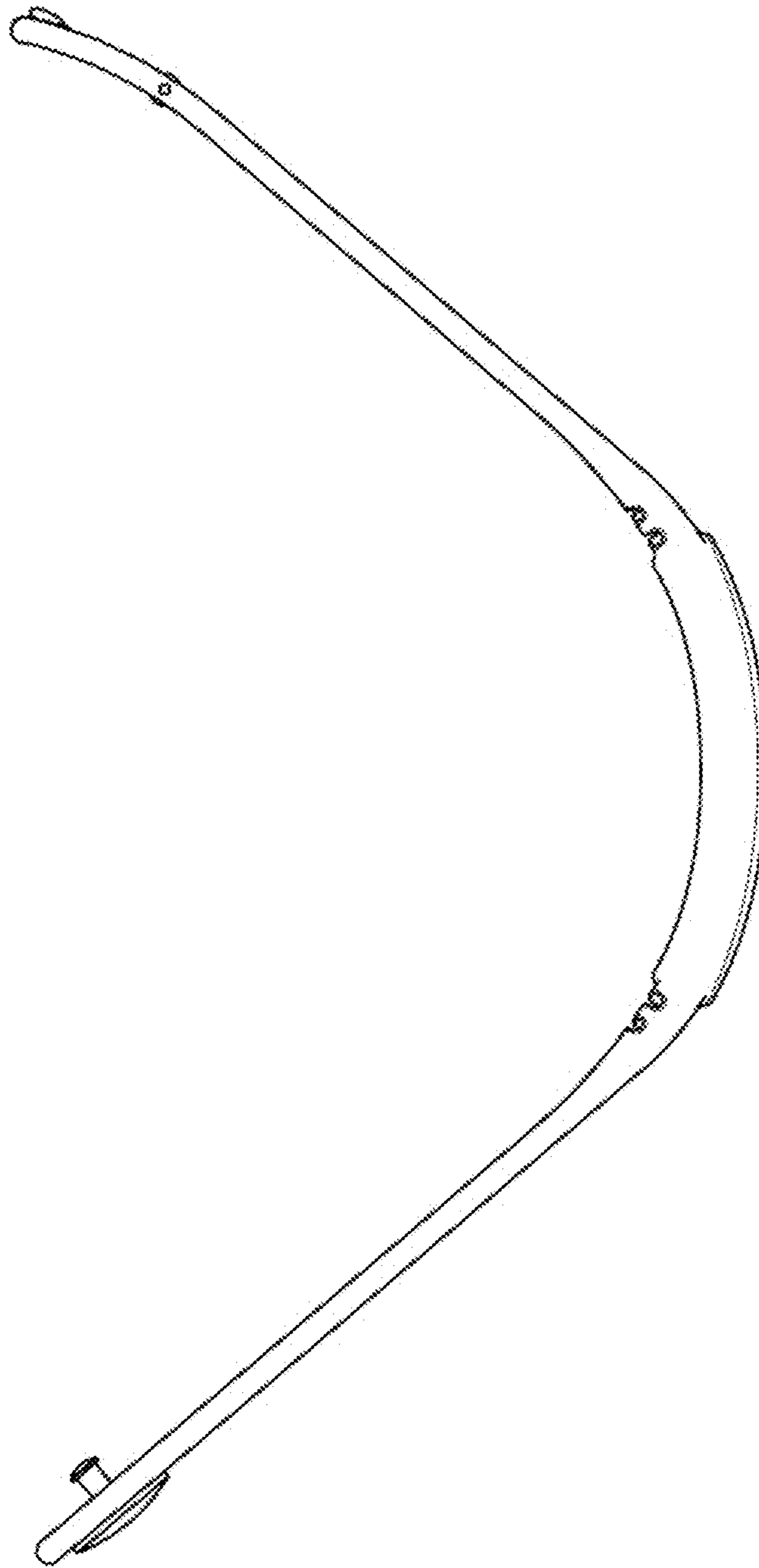


FIG. 21

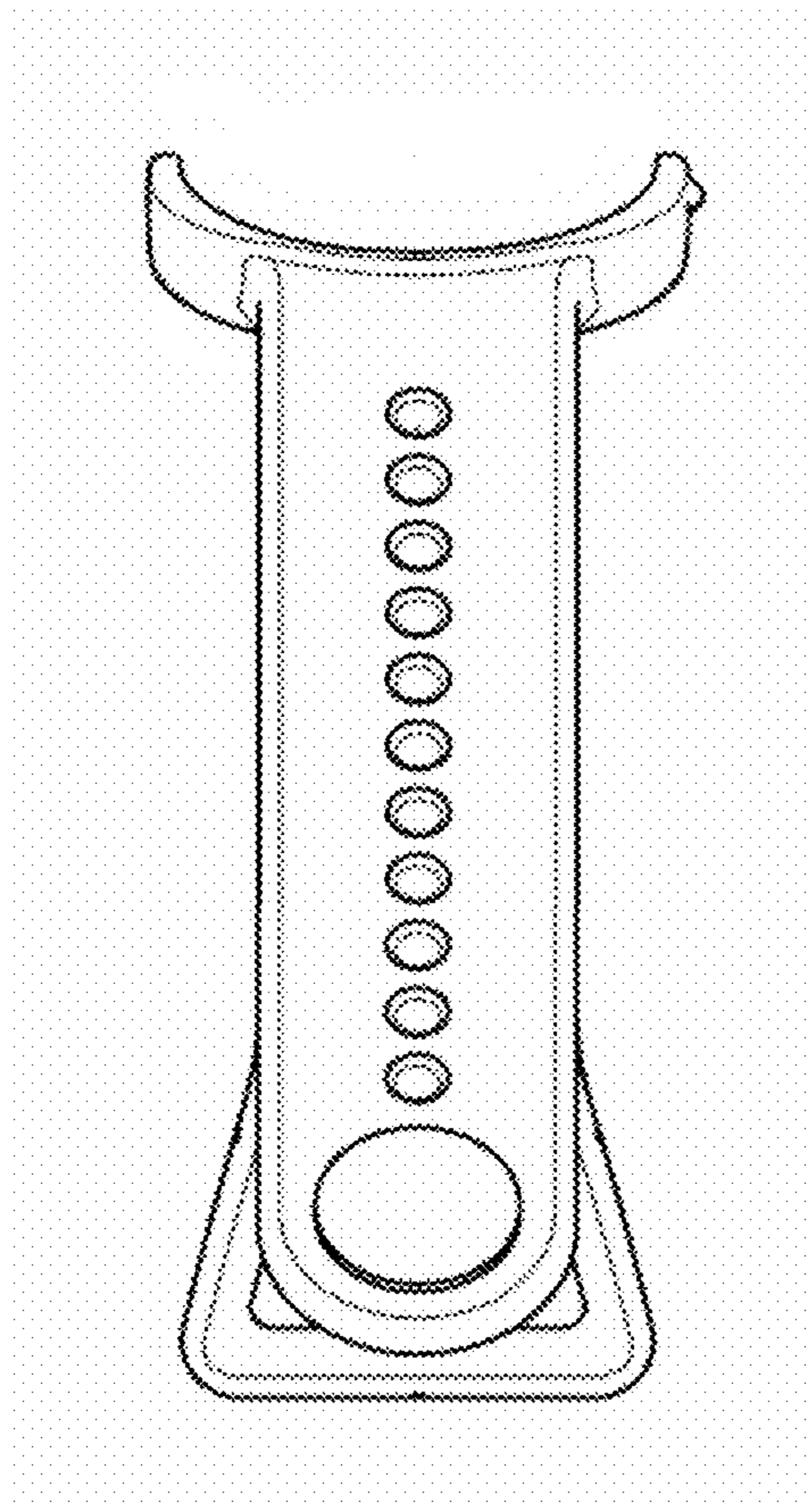


FIG. 22

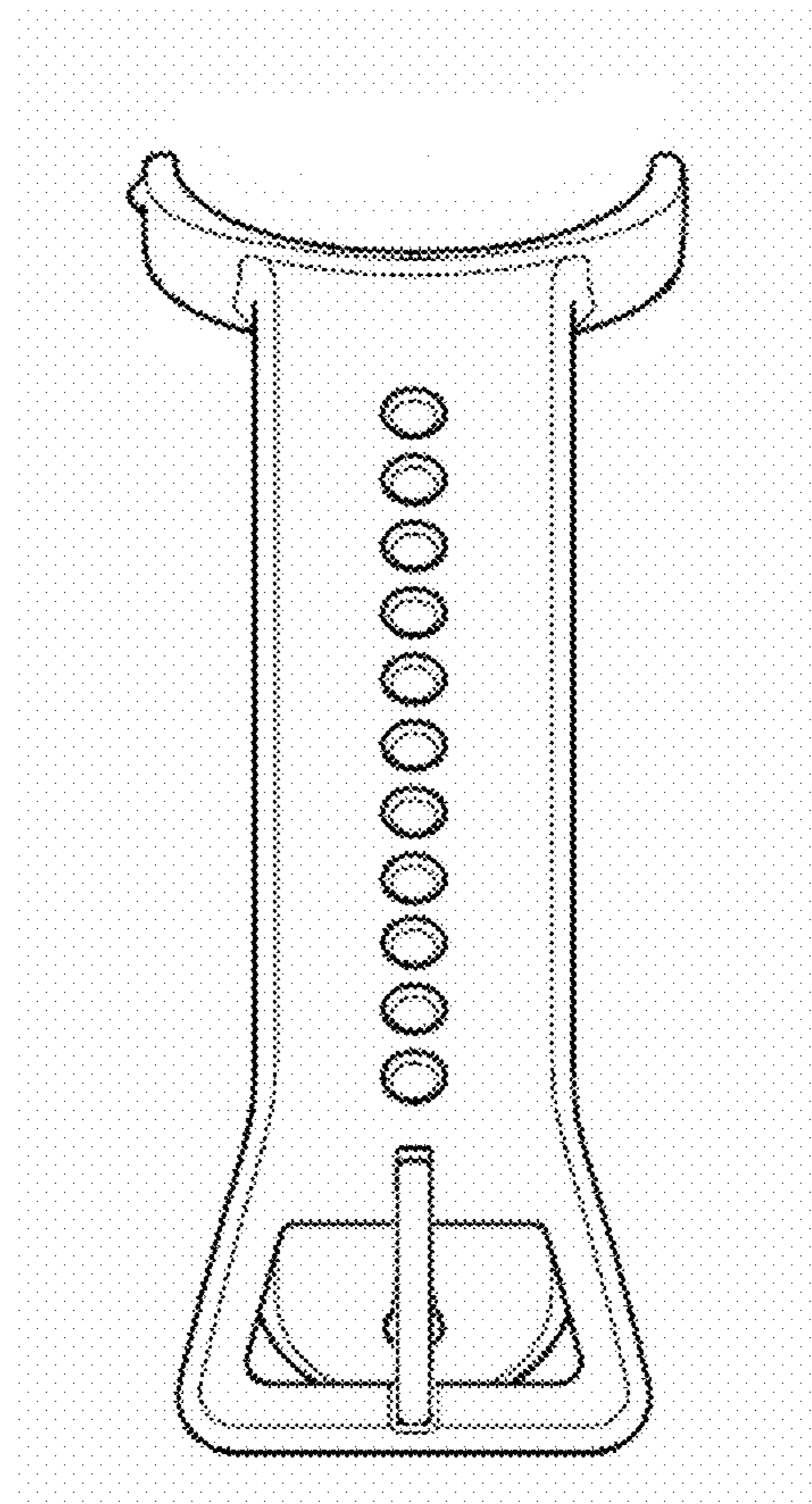


FIG. 23