



US00D765655S

(12) **United States Design Patent** (10) **Patent No.:** **US D765,655 S**
Tao (45) **Date of Patent:** **** Sep. 6, 2016**

(54) **SMART WATCH**
(71) Applicant: **Lenovo (Beijing) Co., Ltd.**, Beijing (CN)
(72) Inventor: **Ying Tao**, Beijing (CN)
(73) Assignee: **Lenovo (Beijing) Co., Ltd.**, Beijing (CN)
(**) Term: **14 Years**
(21) Appl. No.: **29/519,921**
(22) Filed: **Mar. 9, 2015**

D513,997 S 1/2006 Wilson
D519,396 S 4/2006 Migliorati
D566,580 S 4/2008 Giorgio
D584,169 S 1/2009 Rabatic
D603,276 S 11/2009 Herzog
D698,689 S 2/2014 Boyd
D709,873 S 7/2014 Aumiller et al.
D718,170 S 11/2014 Aumiller et al.
D726,676 S 4/2015 Park et al.
D729,674 S 5/2015 Behar
D729,675 S 5/2015 Behar
D729,681 S 5/2015 Lee
D737,156 S * 8/2015 Akana D10/32
D737,157 S * 8/2015 Akana D10/32
D737,158 S * 8/2015 Akana D10/32
D737,159 S * 8/2015 Akana D10/32
D737,166 S 8/2015 Aumiller et al.

(Continued)

(30) **Foreign Application Priority Data**
Sep. 9, 2014 (CN) 2014 3 0331787
(51) **LOC (10) Cl.** **14-02**
(52) **U.S. Cl.**
USPC **D14/344**; D10/70; D10/78; D10/98;
D10/38; D24/167
(58) **Field of Classification Search**
USPC D10/30-39, 65, 70, 78, 97, 98; D11/3;
D14/138 R, 203.5, 203.6, 341, 344,
D14/347; D24/167, 168
CPC A44C 5/00-5/16; G04B 37/00-37/228;
G04B 45/0069; G04B 47/04; G04B
19/00-19/34; G04B 21/12; G04B 23/12;
G04B 47/00-47/068; G01C 17/00; G01C
21/00-21/3697
See application file for complete search history.

OTHER PUBLICATIONS

Lenovo (Beijing) Co., L TD., "Smart watch". Design U.S. Appl. No. 29/519,906, filed Mar. 9, 2015, not yet published.

Primary Examiner — Antoine D Davis
(74) *Attorney, Agent, or Firm* — Oppedahl Patent Law Firm LLC

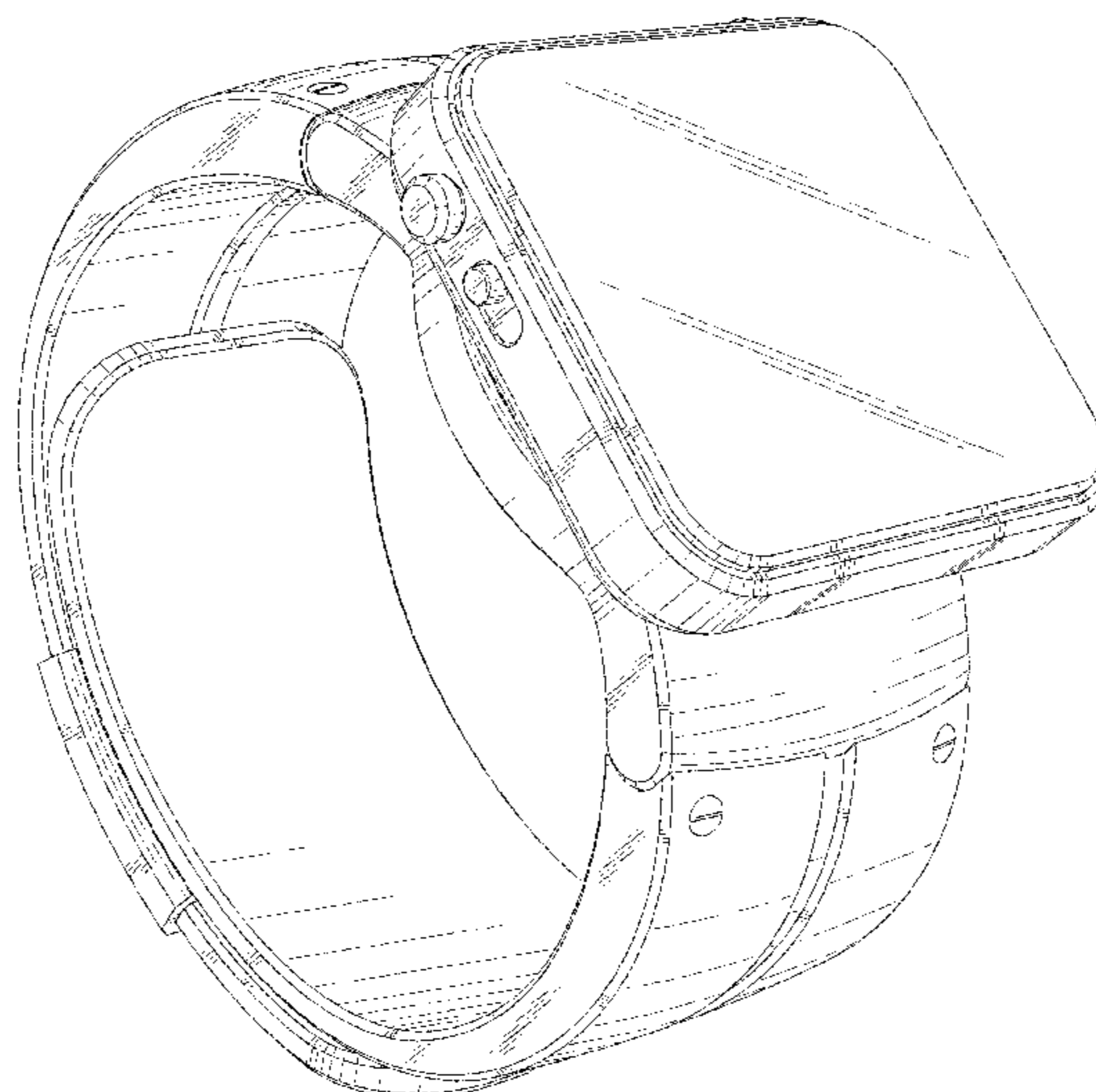
(57) **CLAIM**
The ornamental design for a smart watch, as shown and described.

DESCRIPTION

FIG. 1 is a front view.
FIG. 2 is a rear view.
FIG. 3 is a left side view.
FIG. 4 is a right side view.
FIG. 5 is a top view.
FIG. 6 is a bottom view; and,
FIG. 7 is a perspective view.
The features shown in broken lines in the drawing depict environmental subject matter and unclaimed borders and form no part of the claimed design.

1 Claim, 7 Drawing Sheets

(56) **References Cited**
U.S. PATENT DOCUMENTS
1,752,128 A 3/1930 Vetter
2,137,835 A 11/1938 Eddy
D243,318 S 2/1977 Ketner
4,060,185 A 11/1977 Kuroda
4,473,304 A 9/1984 Ketner



US D765,655 S

Page 2

(56)

References Cited

U.S. PATENT DOCUMENTS

D741,726 S * 10/2015 Akana D10/30
D744,356 S * 12/2015 Akana D10/70
D745,421 S * 12/2015 Akana D10/32

D746,707 S * 1/2016 Akana D10/39
D747,658 S 1/2016 Cerrato
2009/0175135 A1 7/2009 Moore
2012/0087216 A1 4/2012 Keung
2012/0234044 A1 9/2012 Matysik

* cited by examiner

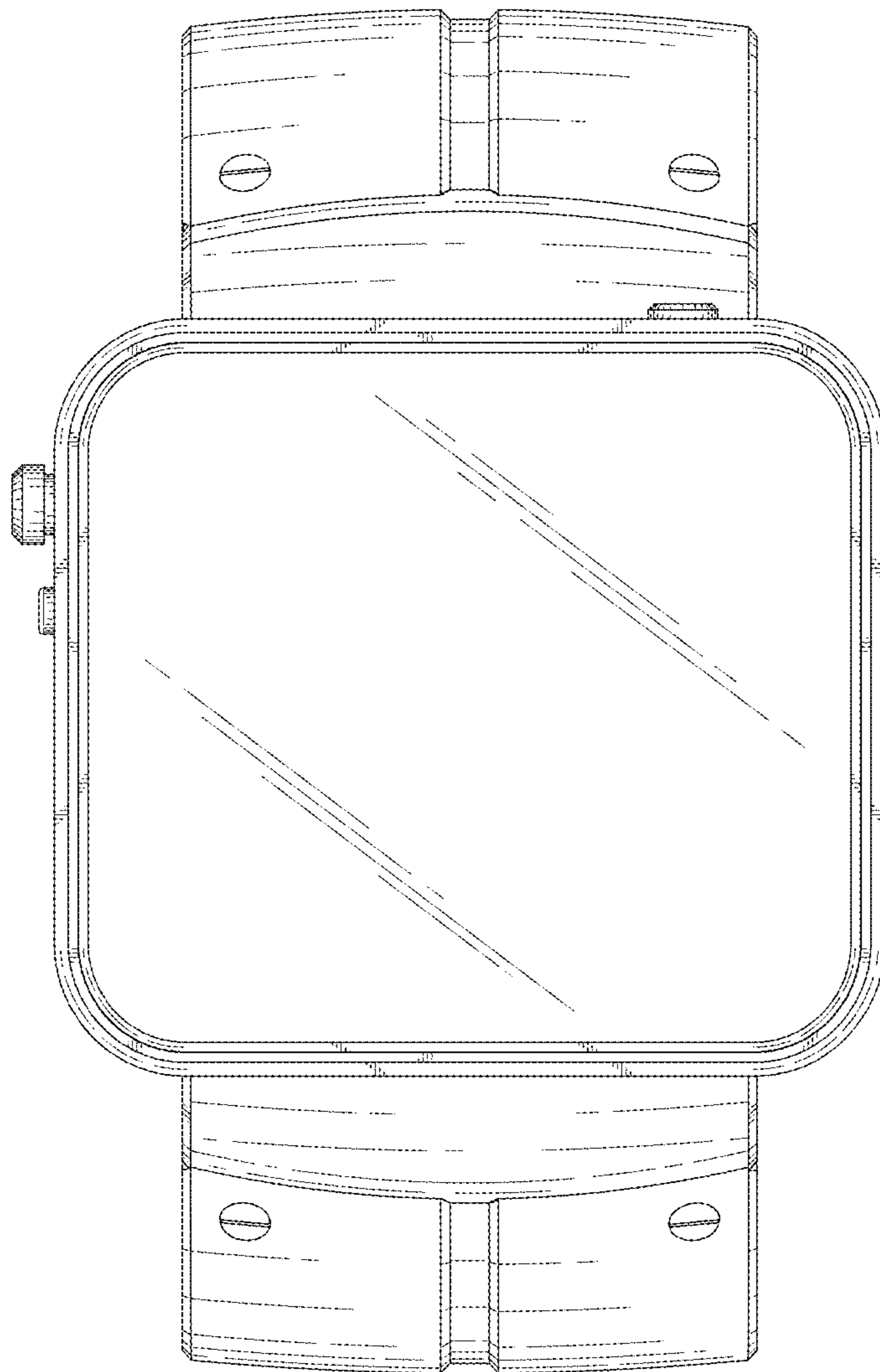


Figure 1

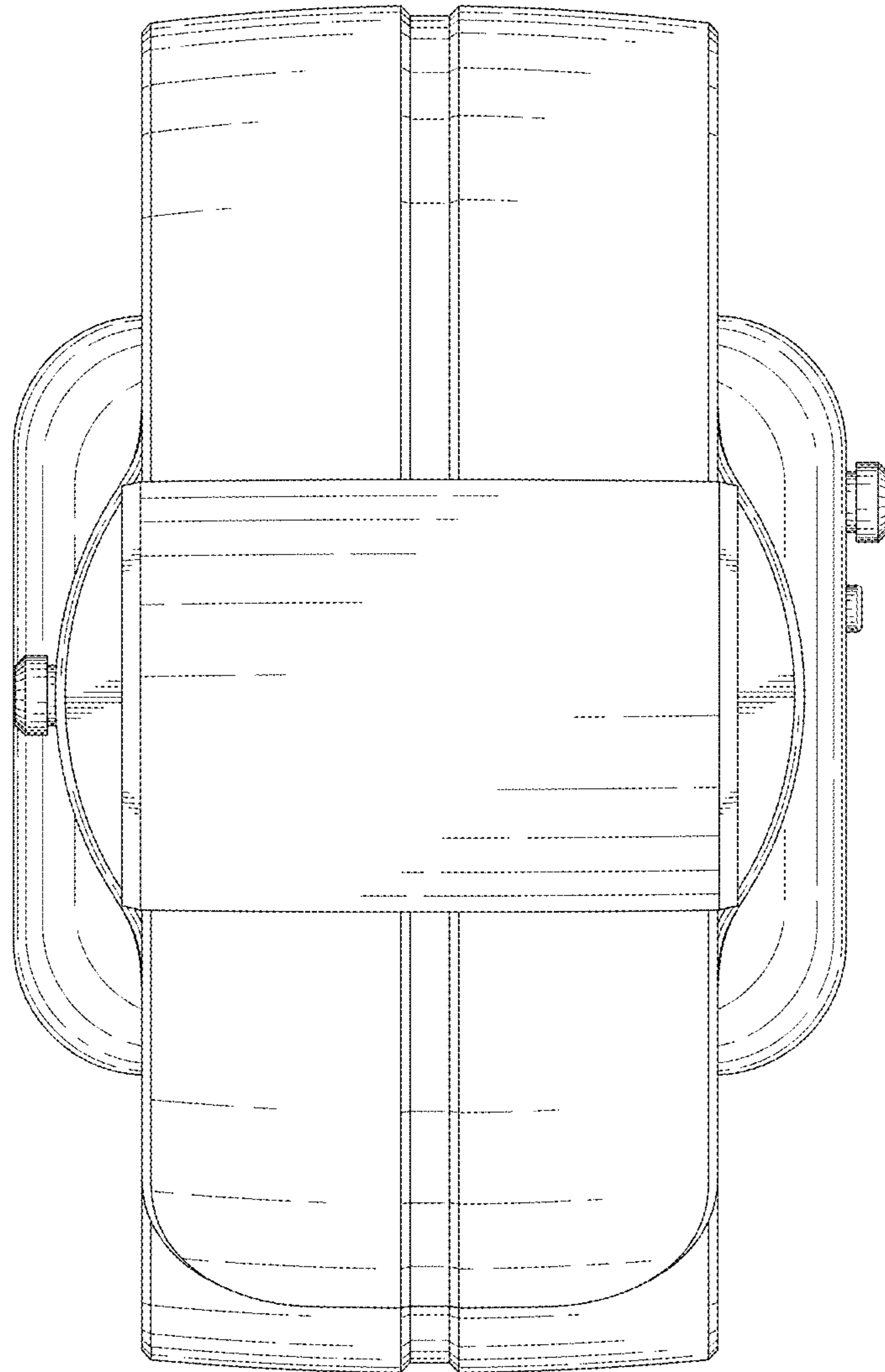


Figure 2

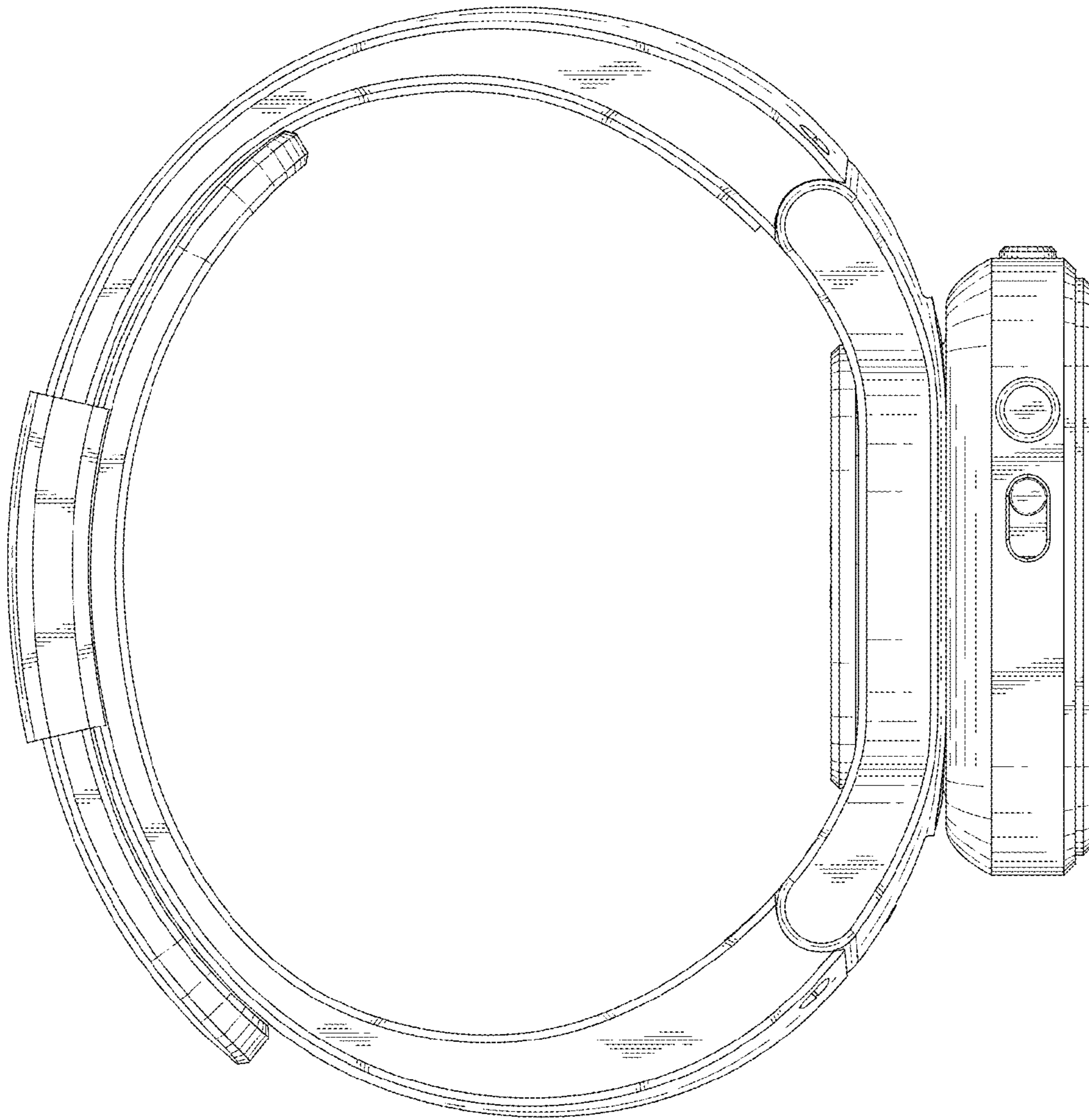


Figure 3

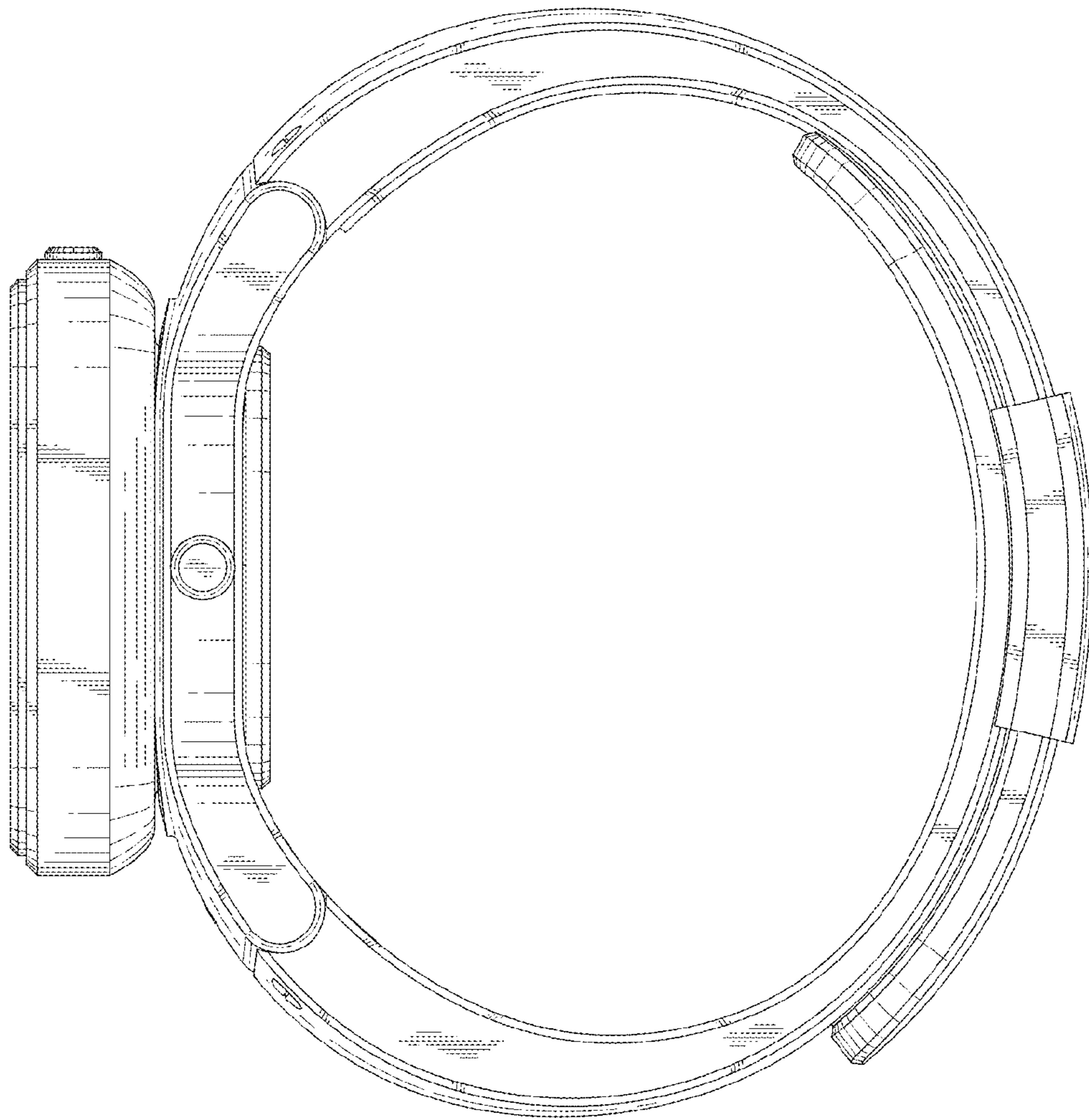


Figure 4

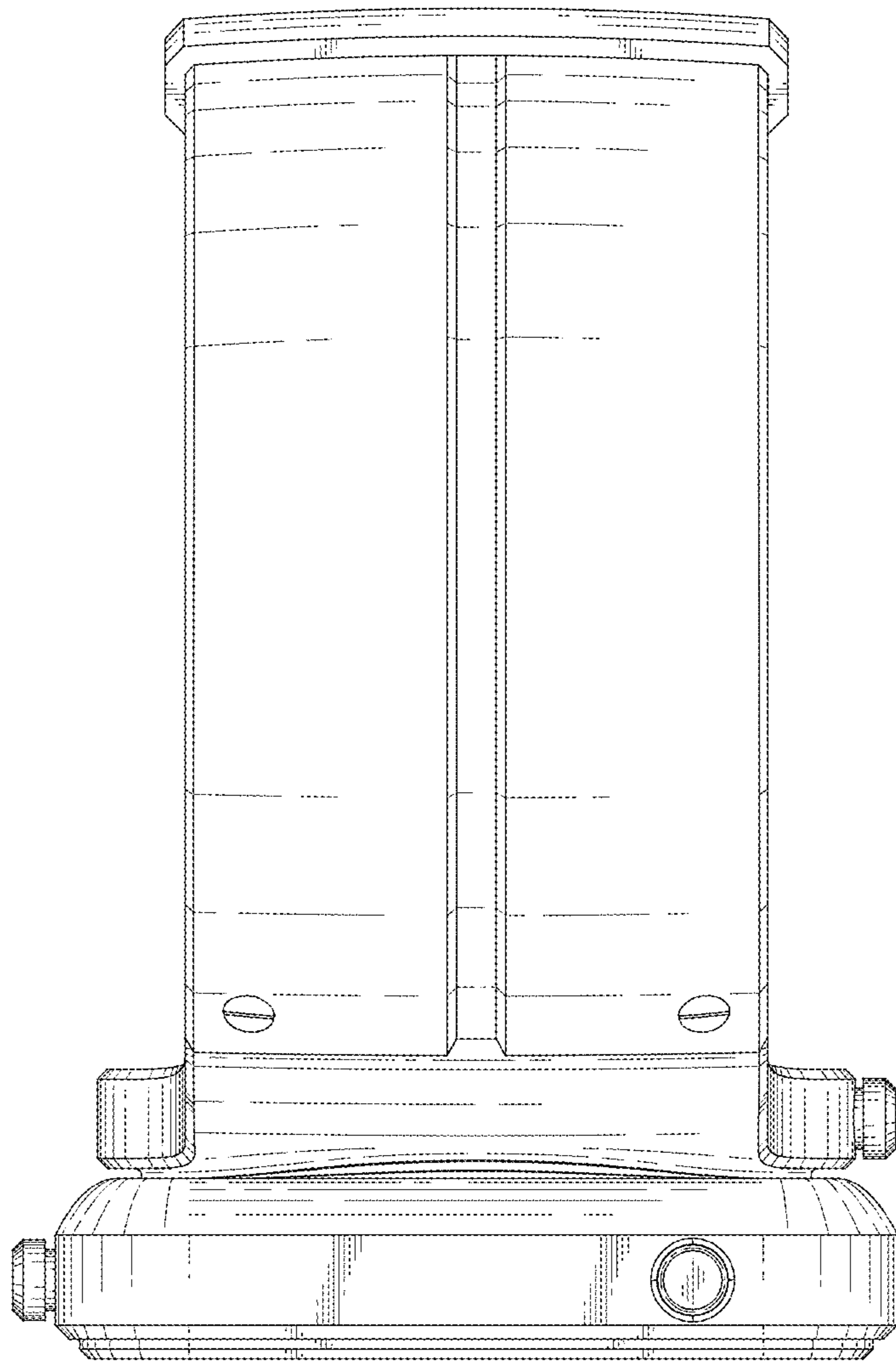


Figure 5

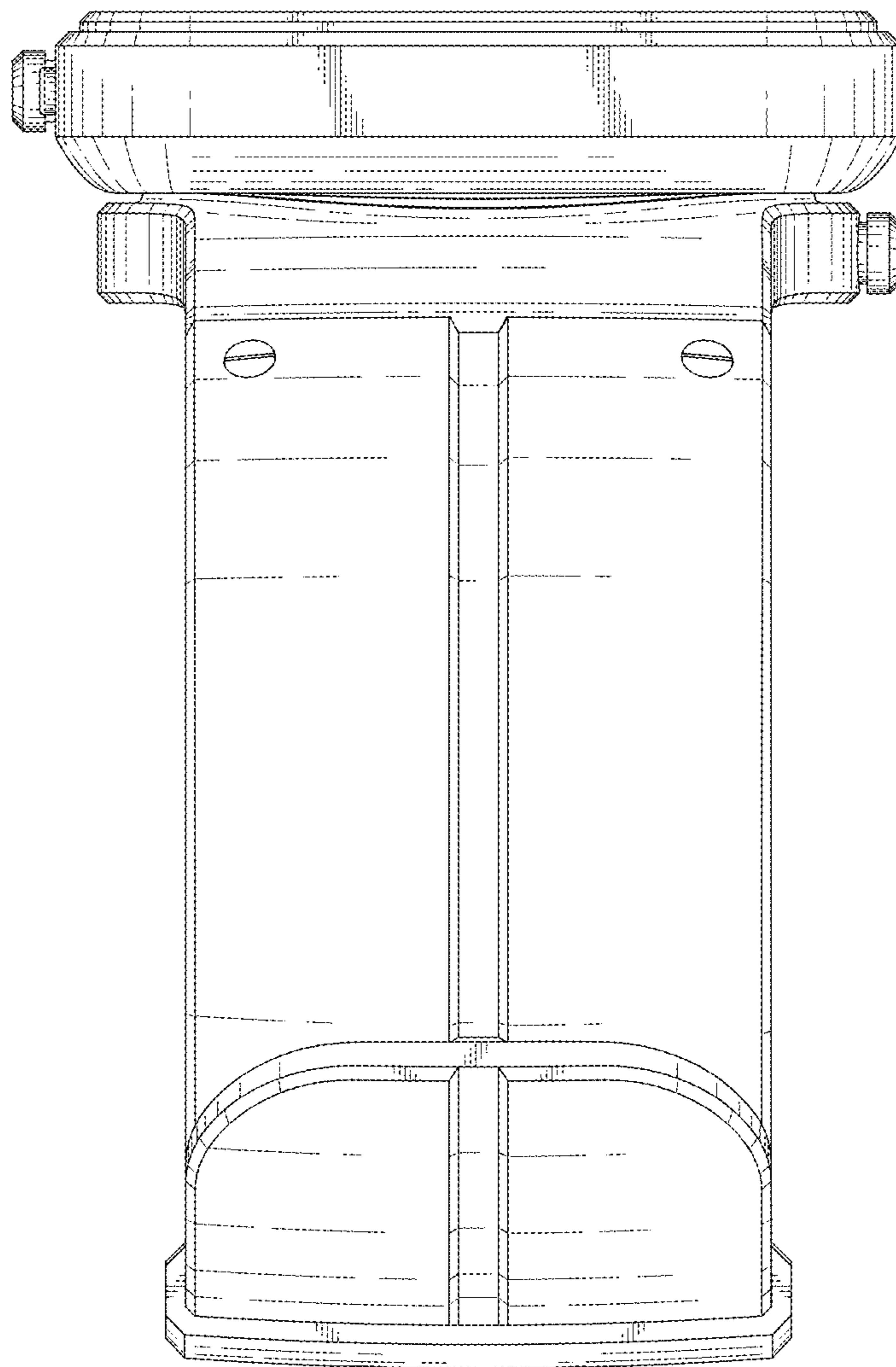


Figure 6

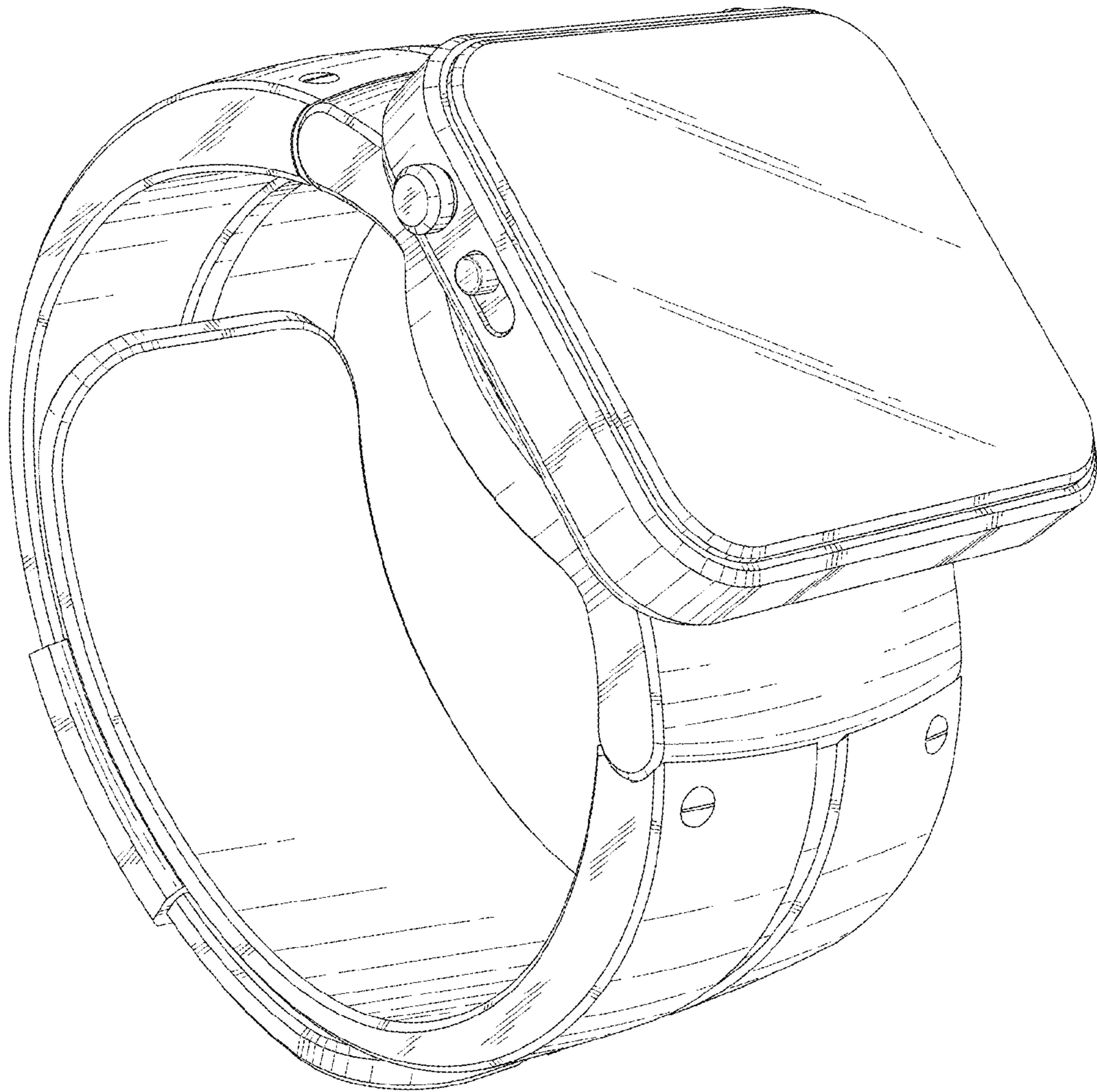


Figure 7