



US00D765653S

(12) **United States Design Patent**
Lin et al.

(10) **Patent No.:** **US D765,653 S**
(45) **Date of Patent:** **** Sep. 6, 2016**

(54) **NOTEBOOK COMPUTER**

- (71) Applicant: **ASUSTeK COMPUTER INC.**, Taipei (TW)
- (72) Inventors: **Tsui-Wei Lin**, Taipei (TW); **Tang-Lung Lo**, Taipei (TW)
- (73) Assignee: **ASUSTeK COMPUTER INC.**, Taipei (TW)
- (**) Term: **15 Years**
- (21) Appl. No.: **29/532,387**
- (22) Filed: **Jul. 7, 2015**
- (51) **LOC (10) Cl.** **14-02**
- (52) **U.S. Cl.**
USPC **D14/318**
- (58) **Field of Classification Search**
USPC D14/315-327; D18/1, 2, 7, 11; 235/145 A, 145 R; 341/22, 23; 345/104, 345/156, 168, 169, 173; 361/679.08, 361/679.09, 679.11, 679.26, 679.27
CPC G06F 1/16; G06F 1/1616; G06F 1/1626; G06F 1/1632; G06F 1/1613; G06F 1/1601; G06F 1/1618; G06F 1/162; G06F 1/166; G06F 1/1654; G06F 1/1681; G06F 1/1637; G06F 1/1688; H01R 35/02; H03M 11/00; G09B 13/04; H03K 17/94; G09G 5/00; F16M 11/10; H05K 5/00; H04M 1/0237
See application file for complete search history.

DESCRIPTION

FIG. 1 is a perspective view of a notebook computer showing a first embodiment of our new design; FIG. 2 is a front view of the first embodiment; FIG. 3 is a rear view of the first embodiment; FIG. 4 is a left view of the first embodiment; FIG. 5 is a right view of the first embodiment; FIG. 6 is a top view of the first embodiment; FIG. 7 is a bottom view of the first embodiment; FIG. 8 is a cross-sectional view of the top cover of the first embodiment taken along line 8-8 of FIG. 2; FIG. 9 is a cross-sectional view of the top cover of the first embodiment taken along line 9-9 of FIG. 2; FIG. 10 is a cross-sectional view of the top cover of the first embodiment taken along line 10-10 of FIG. 2; FIG. 11 is an enlarged view of the indicated portion in FIG. 8; FIG. 12 is an enlarged view of the indicated portion in FIG. 9; FIG. 13 is an enlarged view of the indicated portion in FIG. 8; FIG. 14 is an enlarged view of the indicated portion in FIG. 10; FIG. 15 is a perspective view of a notebook computer showing a second embodiment of our new design; FIG. 16 is a front view of the second embodiment; FIG. 17 is a rear view of the second embodiment; FIG. 18 is a left view of the second embodiment; FIG. 19 is a right view of the second embodiment; FIG. 20 is a top view of the second embodiment; FIG. 21 is a bottom view of the second embodiment; FIG. 22 is a cross-sectional view of the top cover of the second embodiment taken along line 22-22 of FIG. 16; FIG. 23 is a cross-sectional view of the top cover of the second embodiment taken along line 23-23 of FIG. 16; FIG. 24 is a cross-sectional view of the top cover of the second embodiment taken along line 24-24 of FIG. 16; FIG. 25 is an enlarged view of the indicated portion in FIG. 22; FIG. 26 is an enlarged view of the indicated portion in FIG. 23; FIG. 27 is an enlarged view of the indicated portion in FIG. 22; and, FIG. 28 is an enlarged view of the indicated portion in FIG. 24.

The dash lines show portions of the notebook computer and form no part of the claimed design. The dot dash lines represent a boundary of the claimed design and form no part of the claimed design.

(56) **References Cited**

U.S. PATENT DOCUMENTS

D671,936 S *	12/2012	Fong	D14/318
D676,042 S *	2/2013	McManigal	D14/318
D679,705 S *	4/2013	McManigal	D14/318
D714,284 S *	9/2014	Lin	D14/315
D729,227 S *	5/2015	Fukuoka	D14/318
2011/0162987 A1 *	7/2011	Bekele	G06F 1/1616 206/320

* cited by examiner

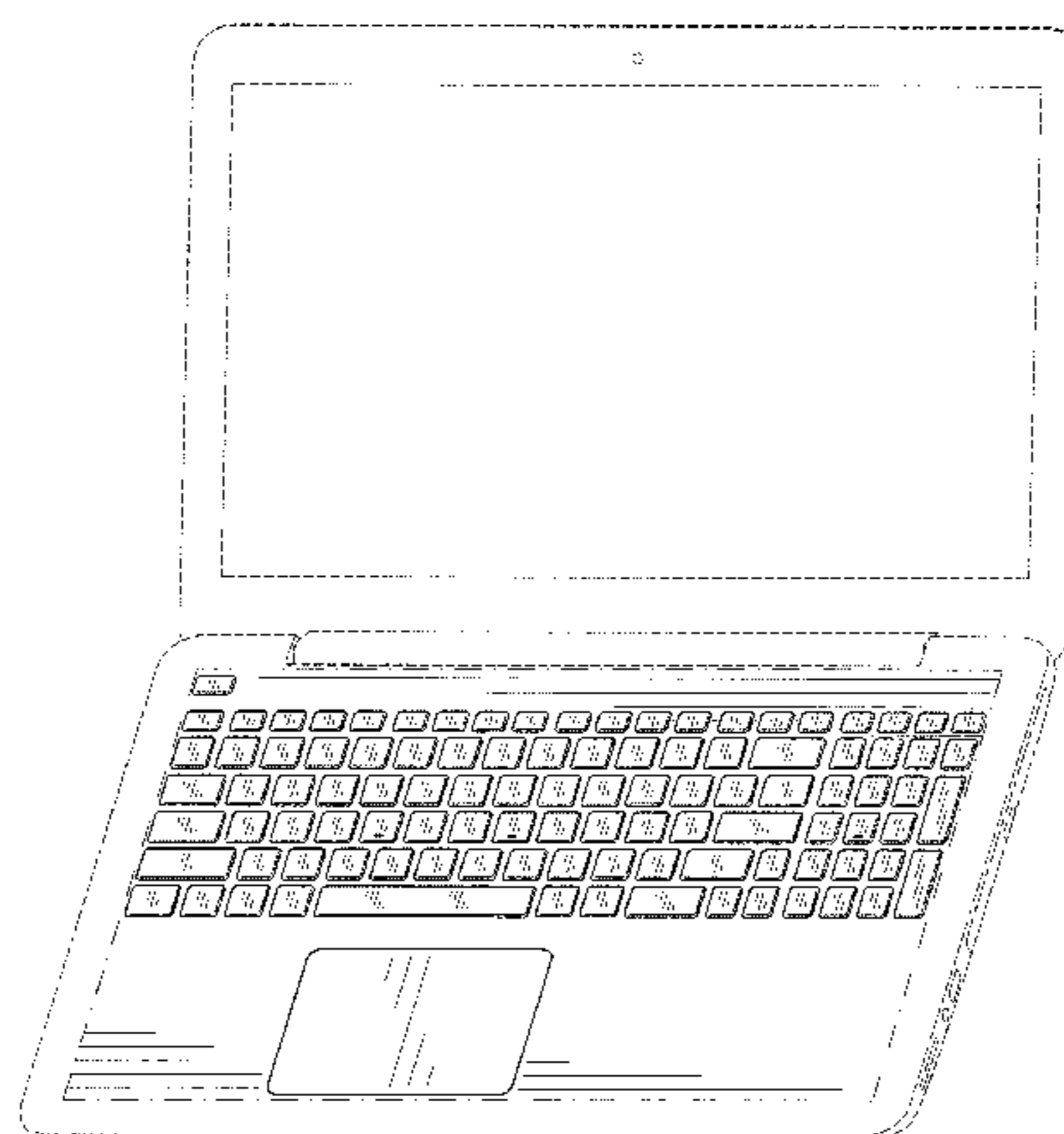
Primary Examiner — Freda S Nunn

(74) *Attorney, Agent, or Firm* — Jianq Chyun IP Office

(57) **CLAIM**

The ornamental design for a notebook computer, as shown and described.

1 Claim, 28 Drawing Sheets



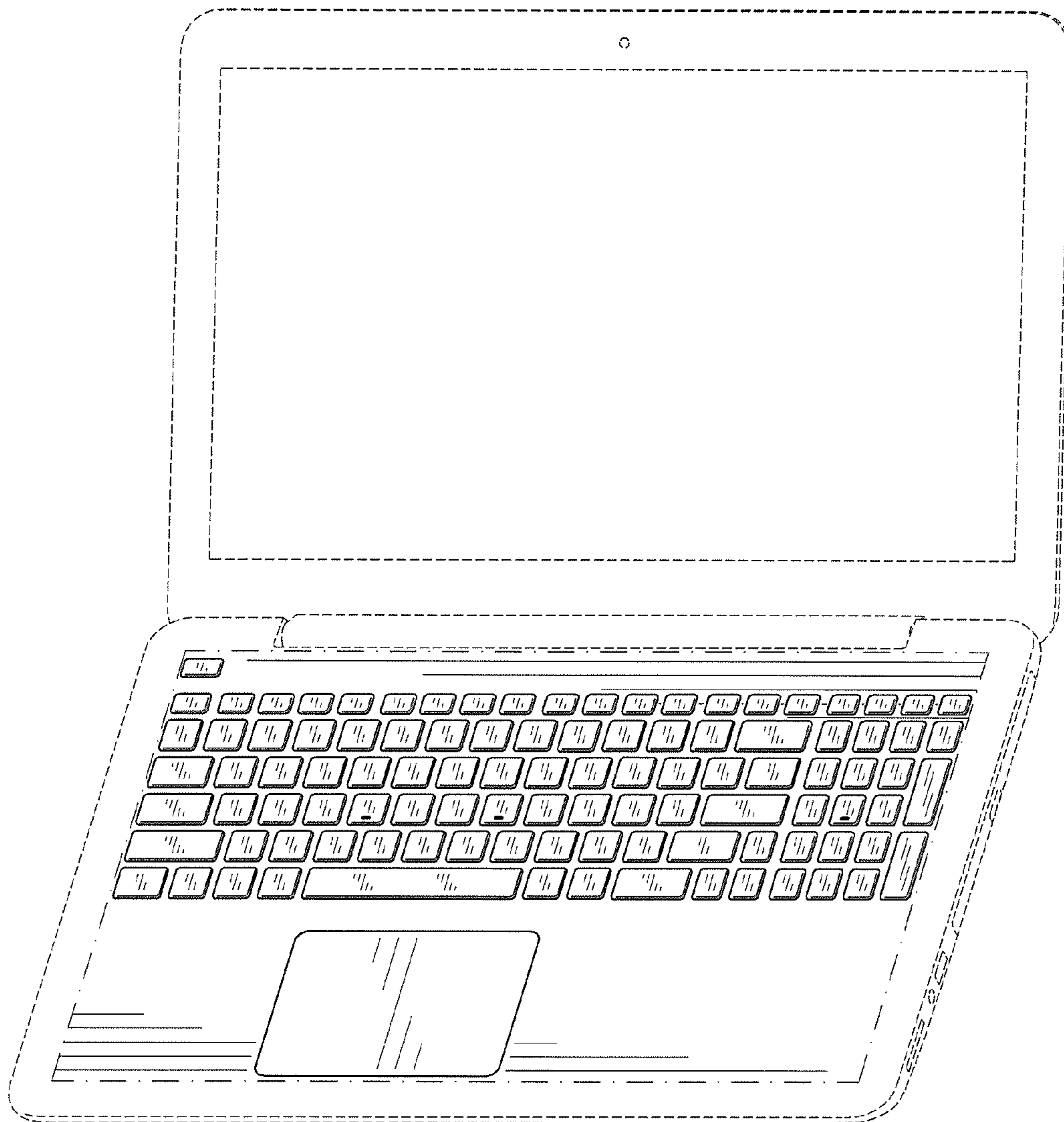


FIG. 1

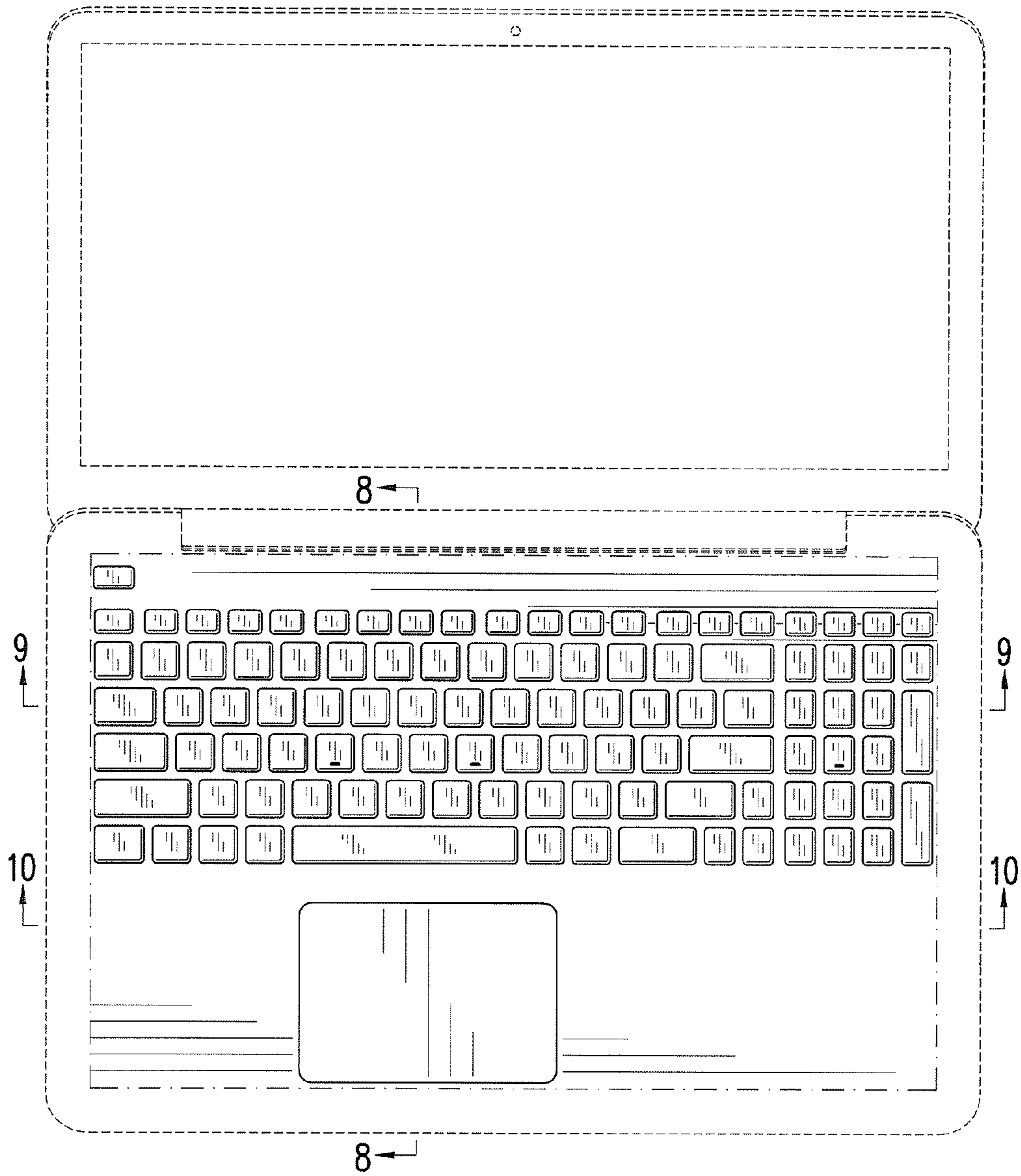


FIG. 2

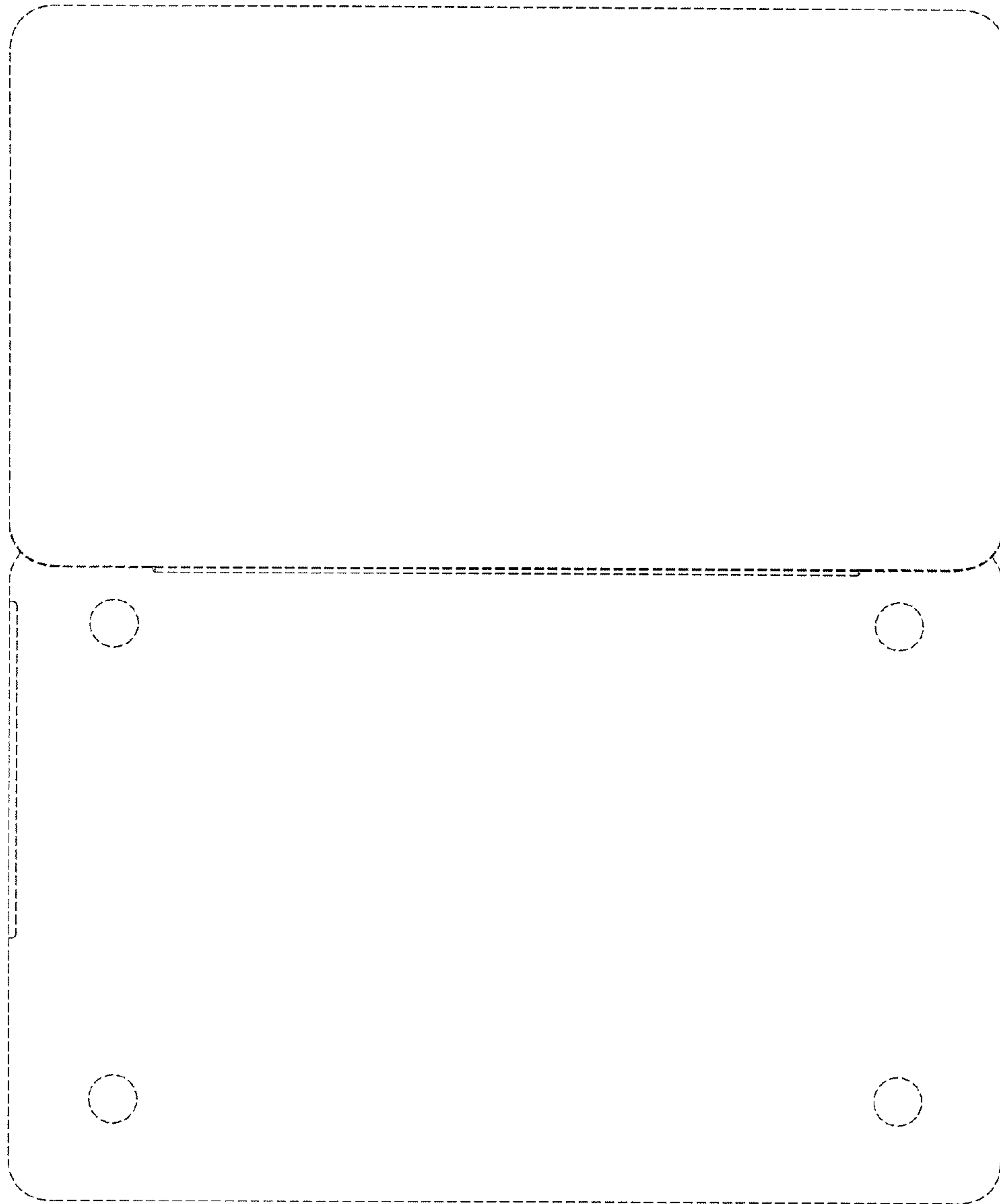


FIG. 3

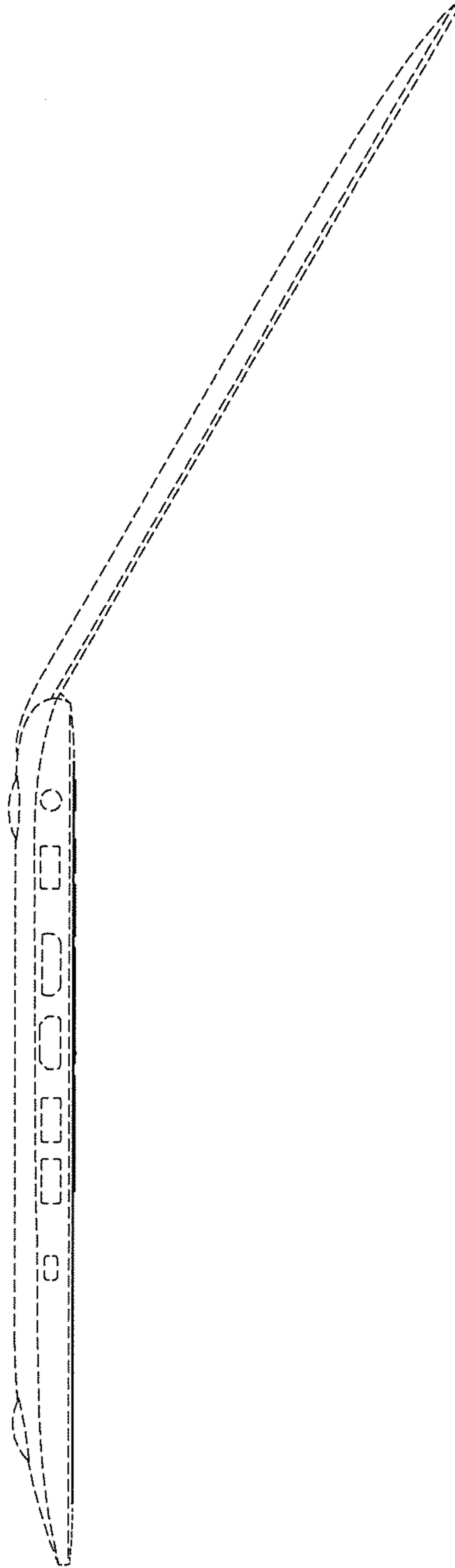


FIG. 4

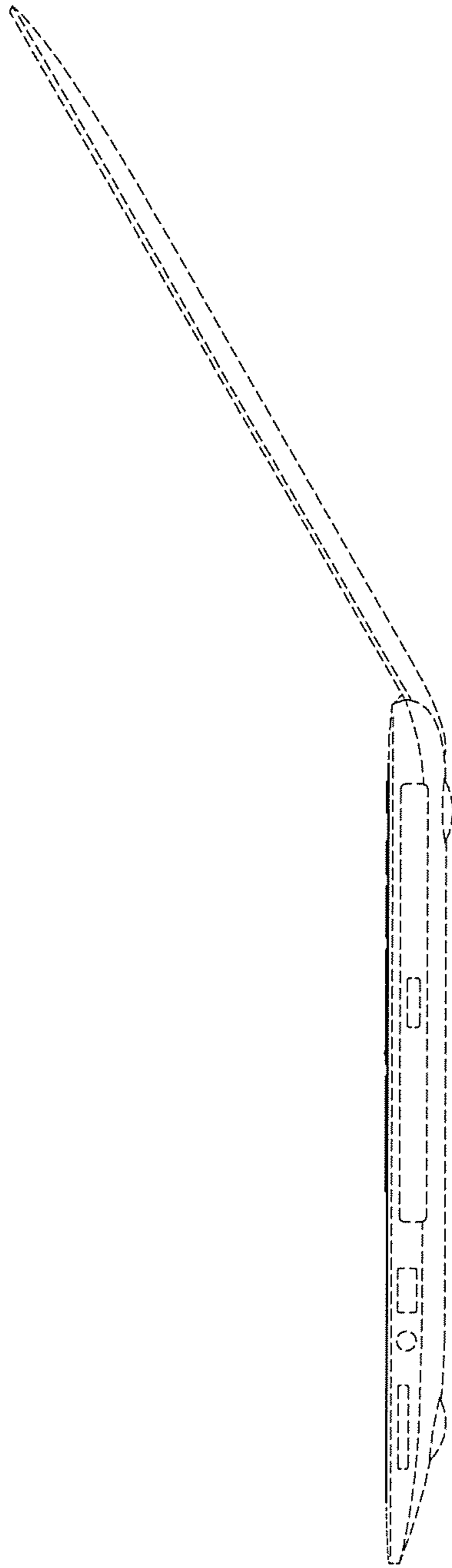


FIG. 5

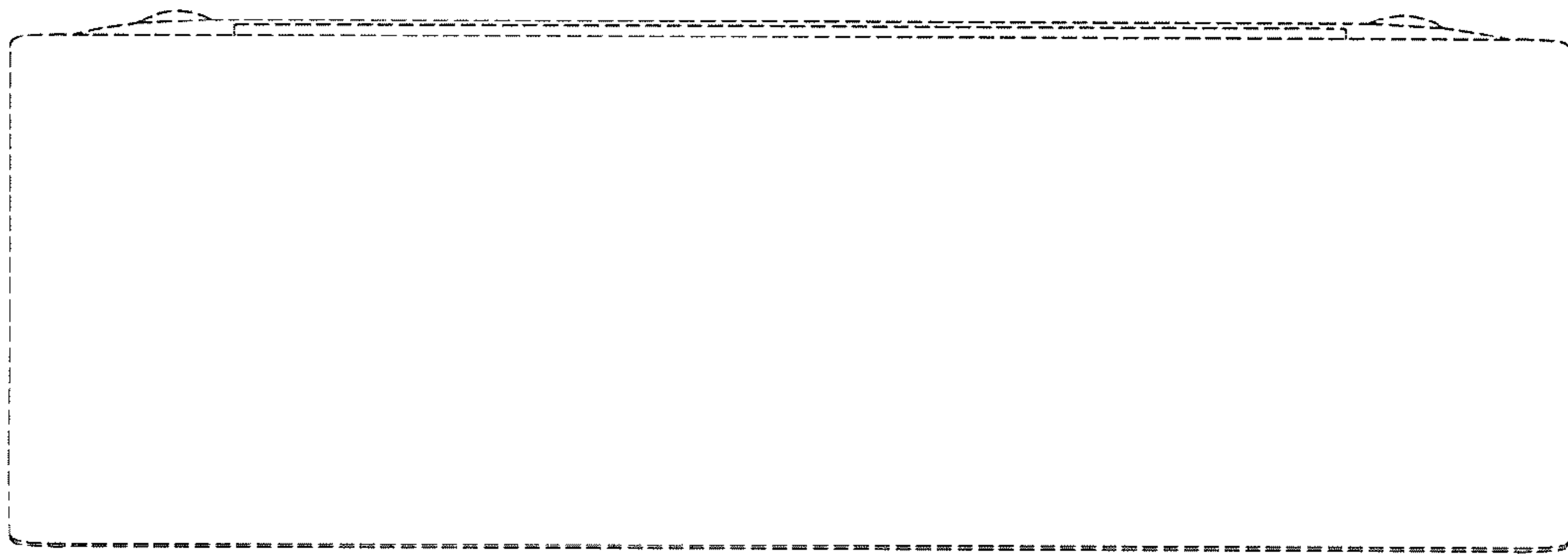


FIG. 6

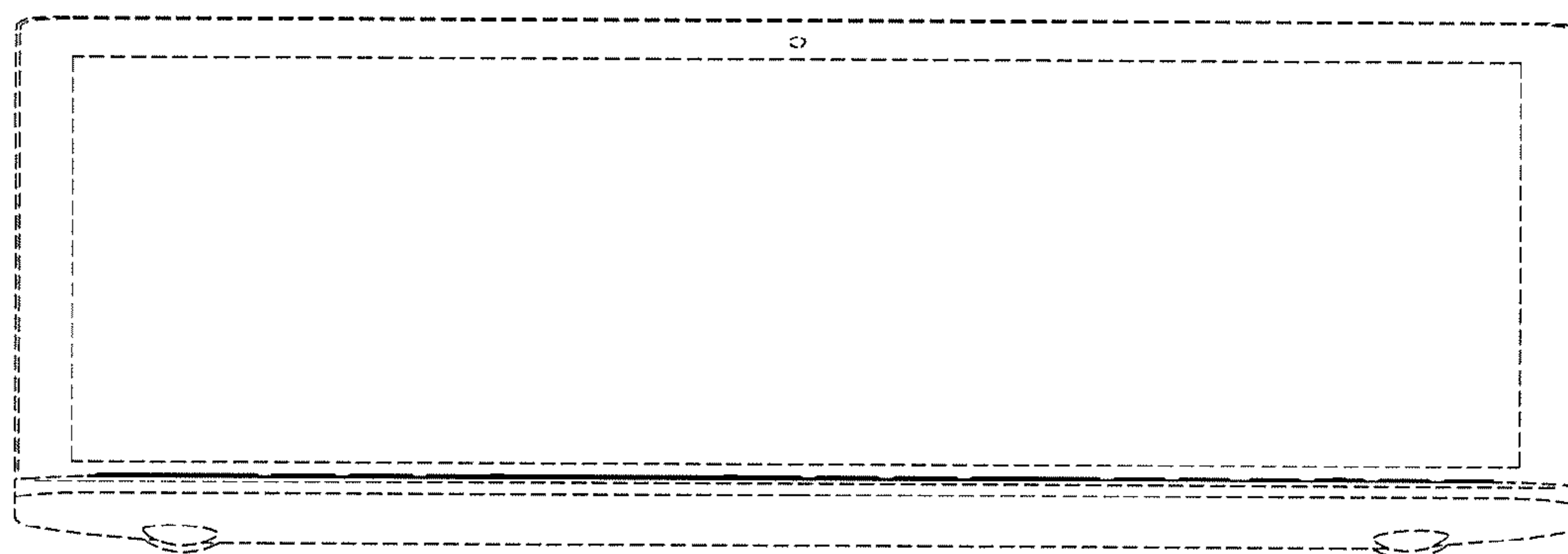


FIG. 7

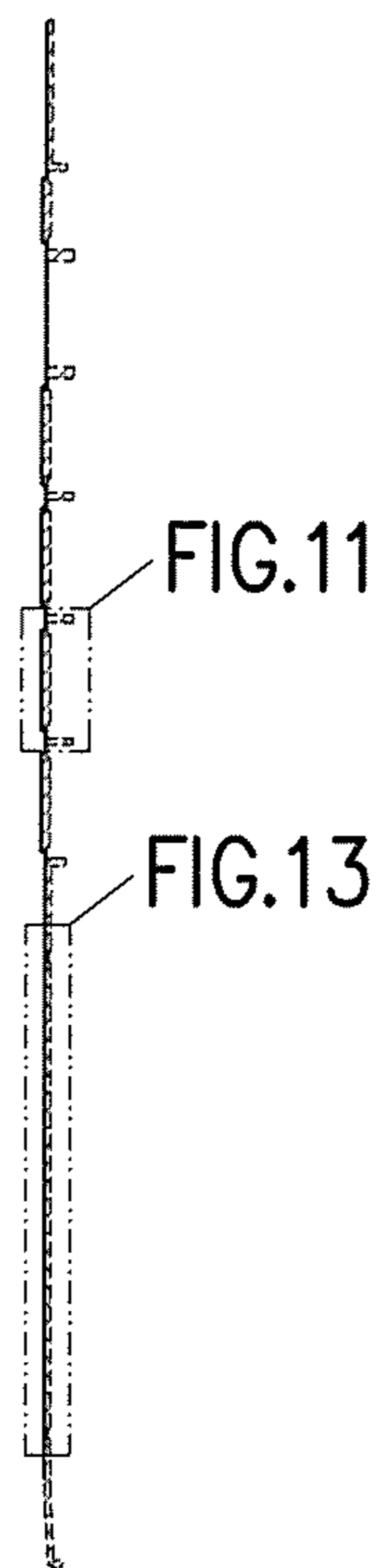


FIG. 8

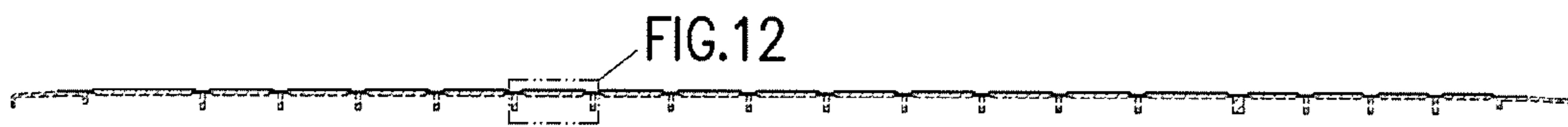


FIG. 9

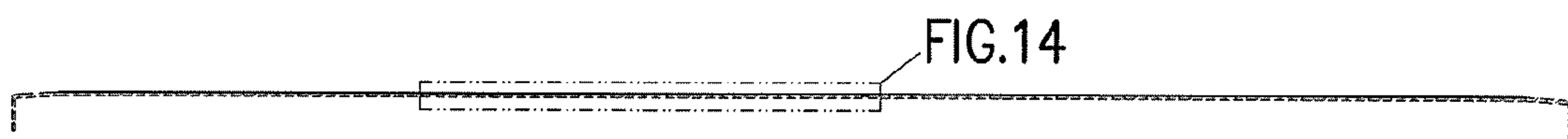


FIG. 10

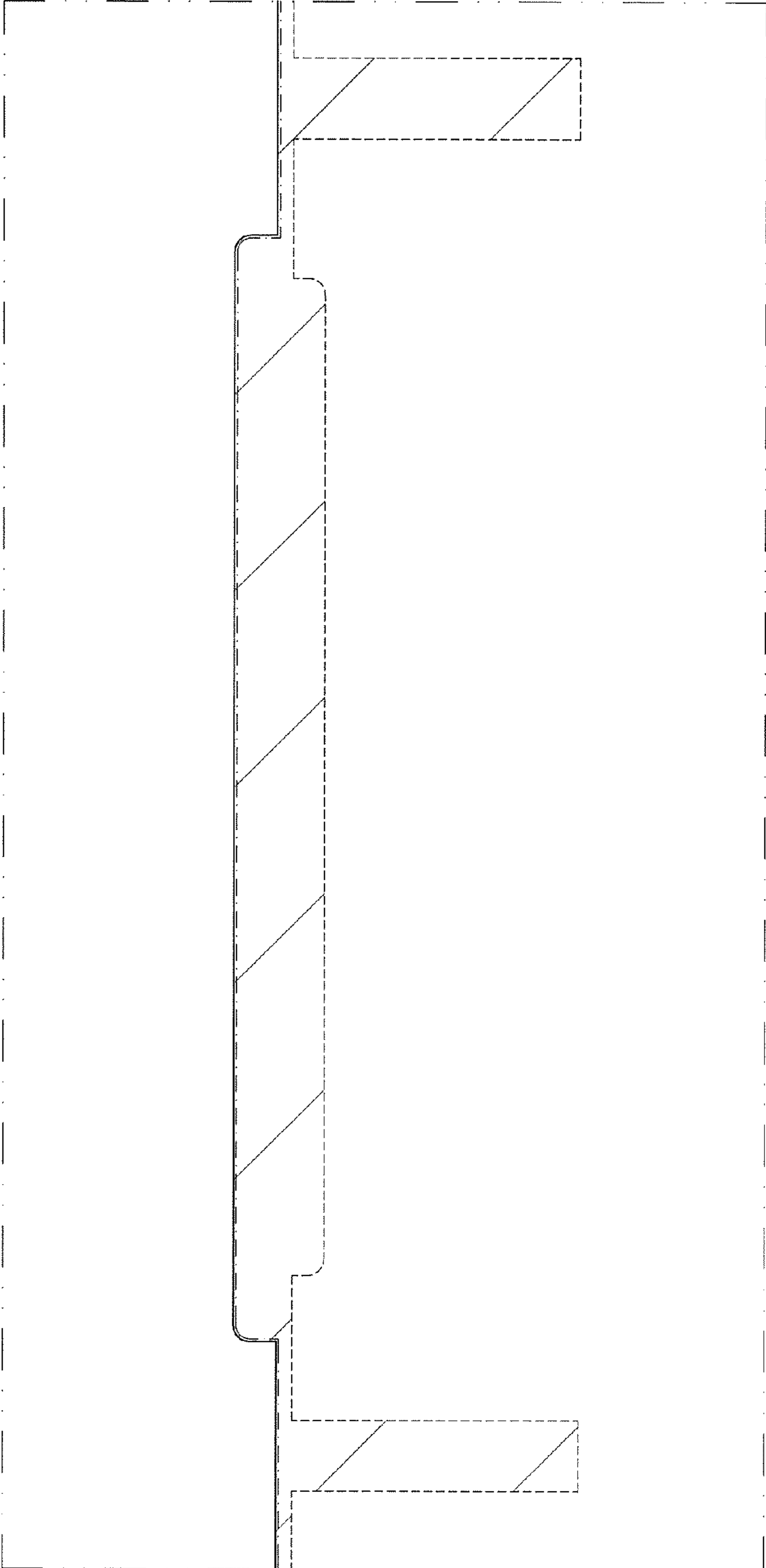


FIG. 11

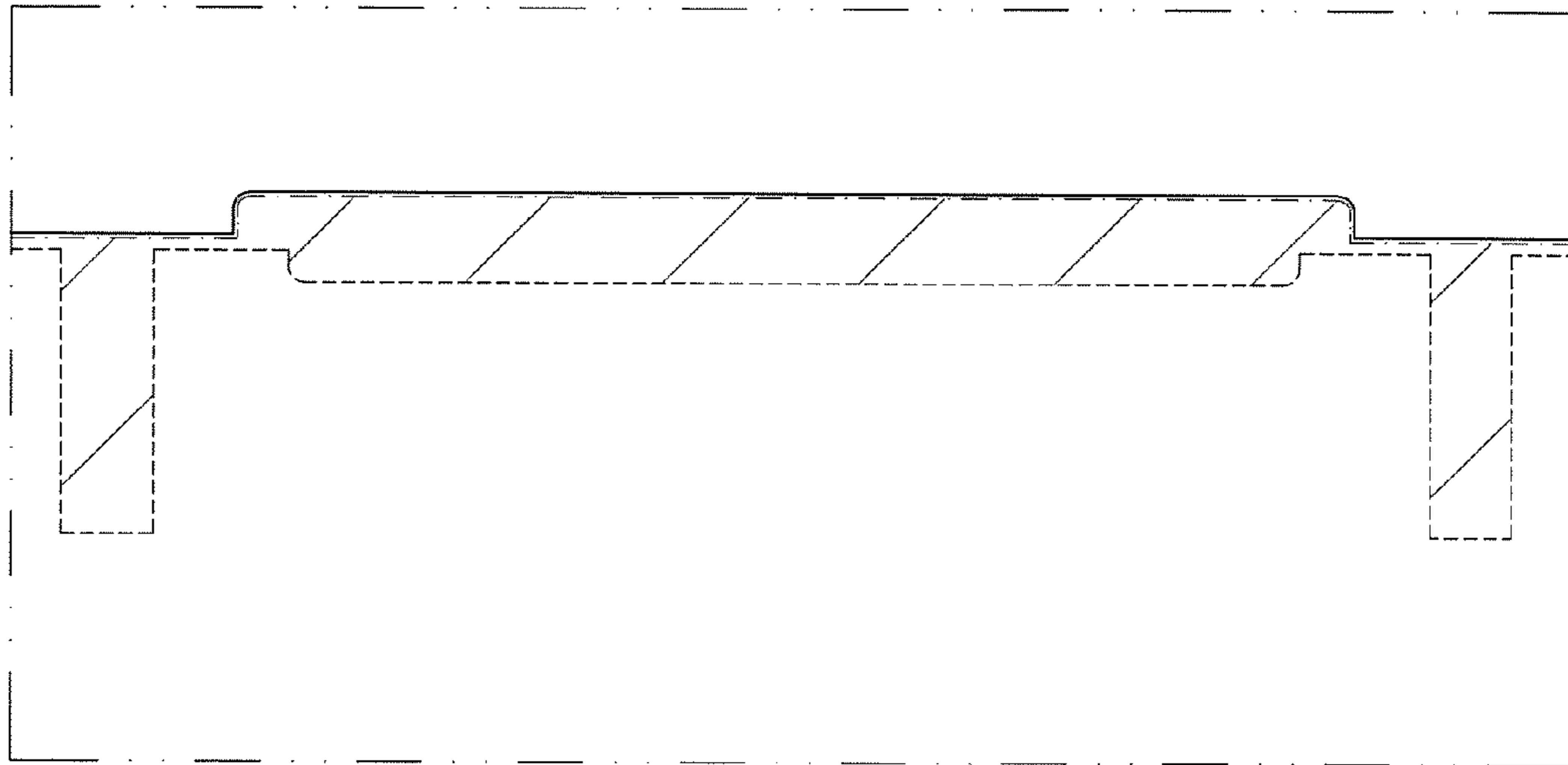


FIG. 12

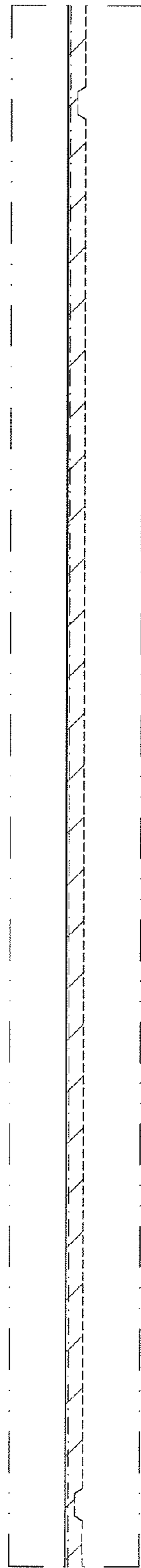


FIG. 13

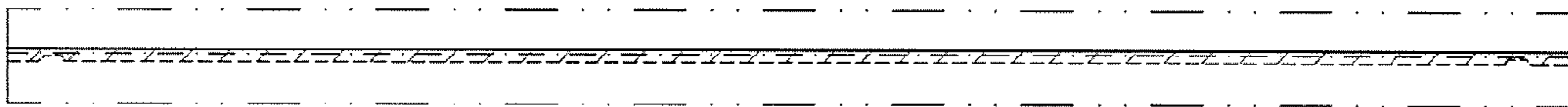


FIG. 14

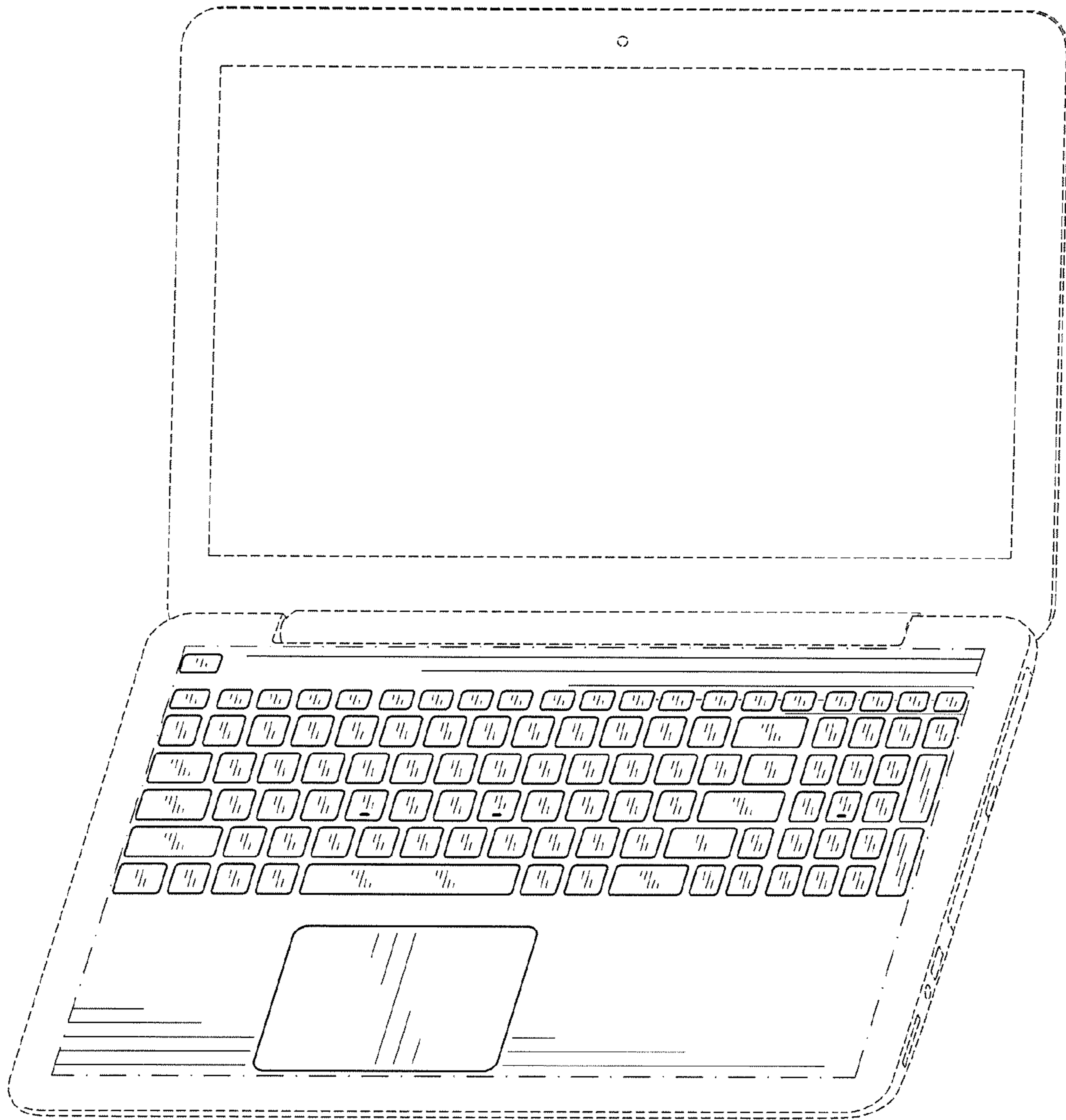


FIG. 15

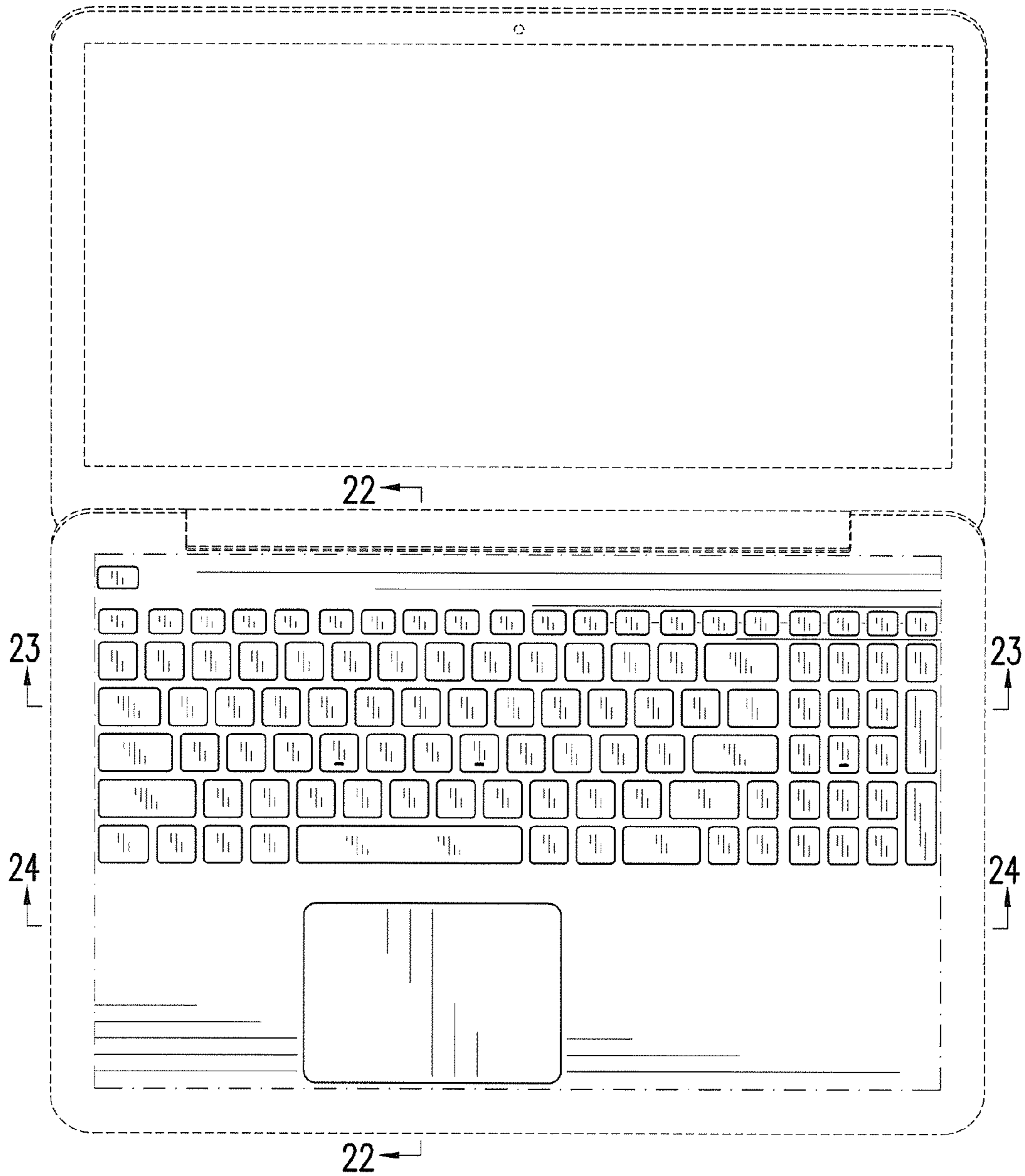


FIG. 16

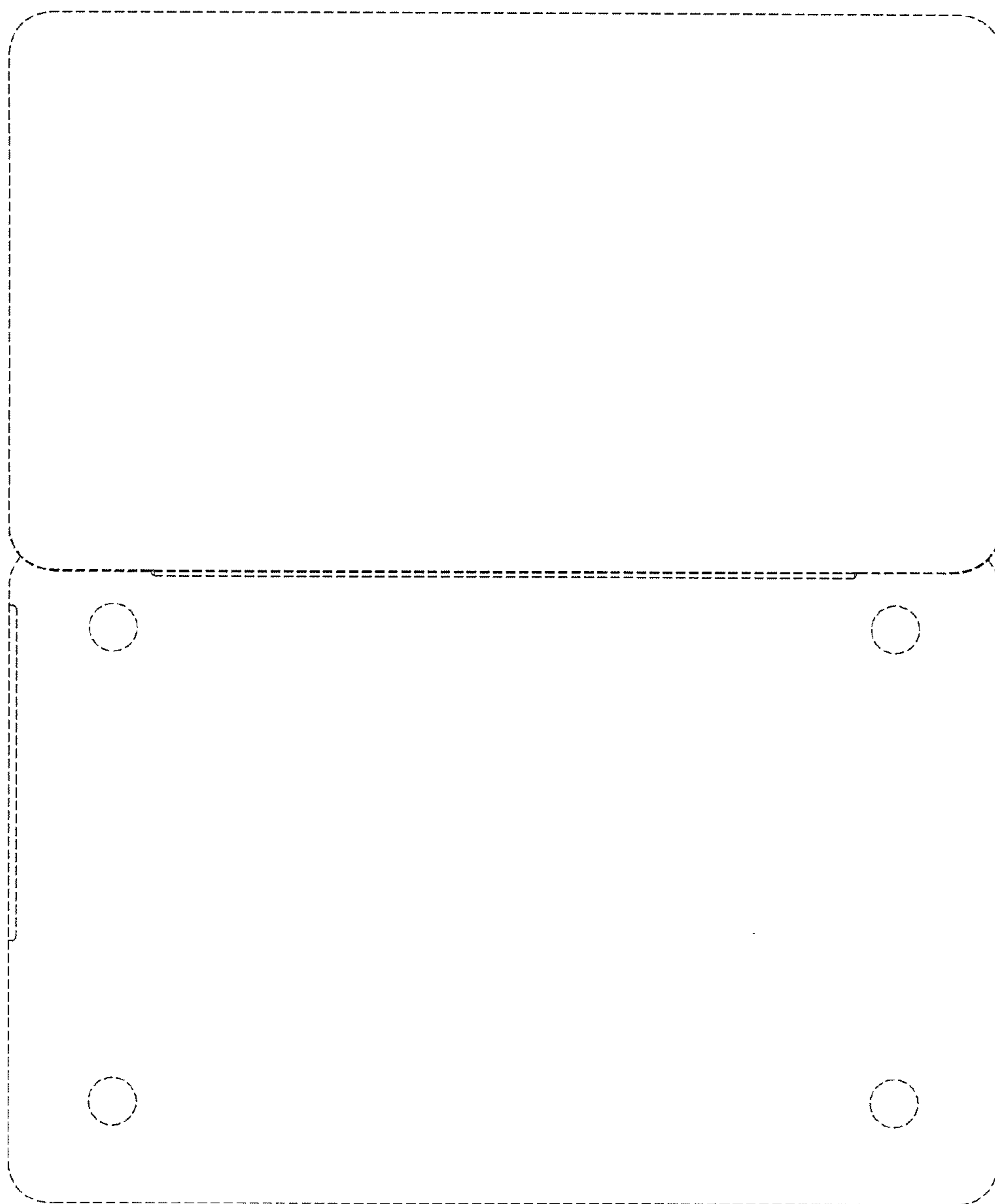


FIG. 17

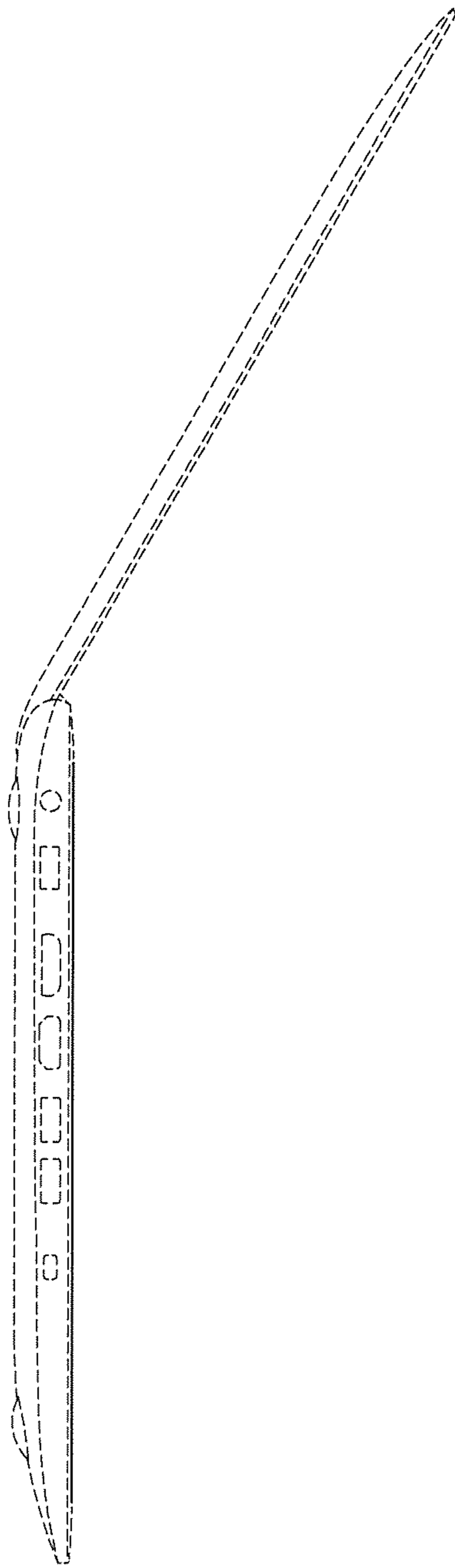


FIG. 18

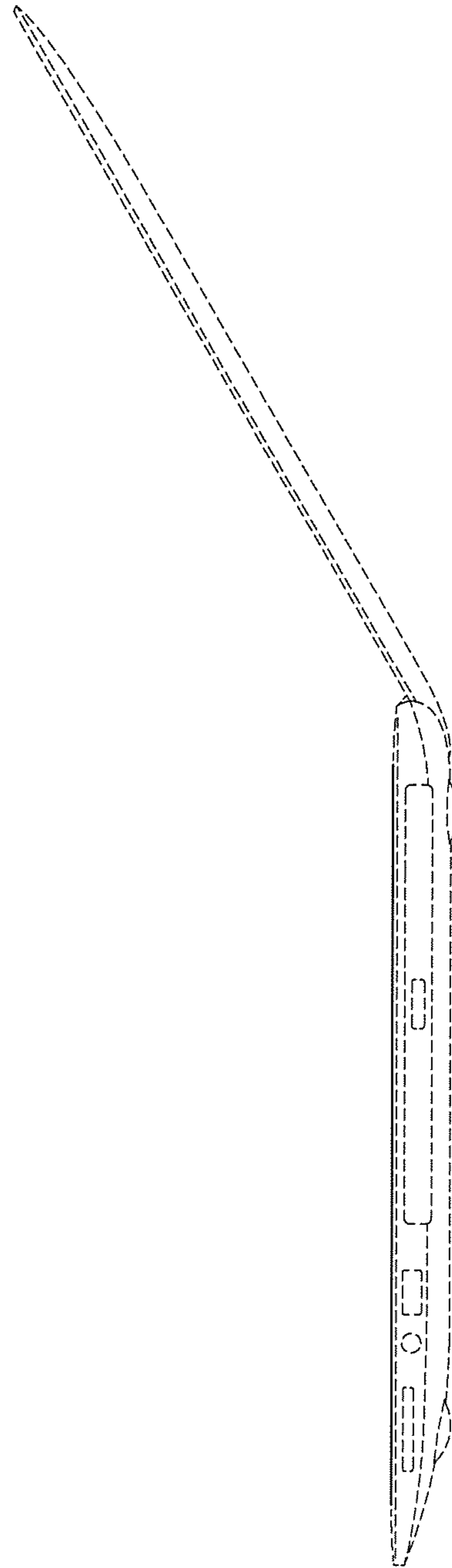


FIG. 19

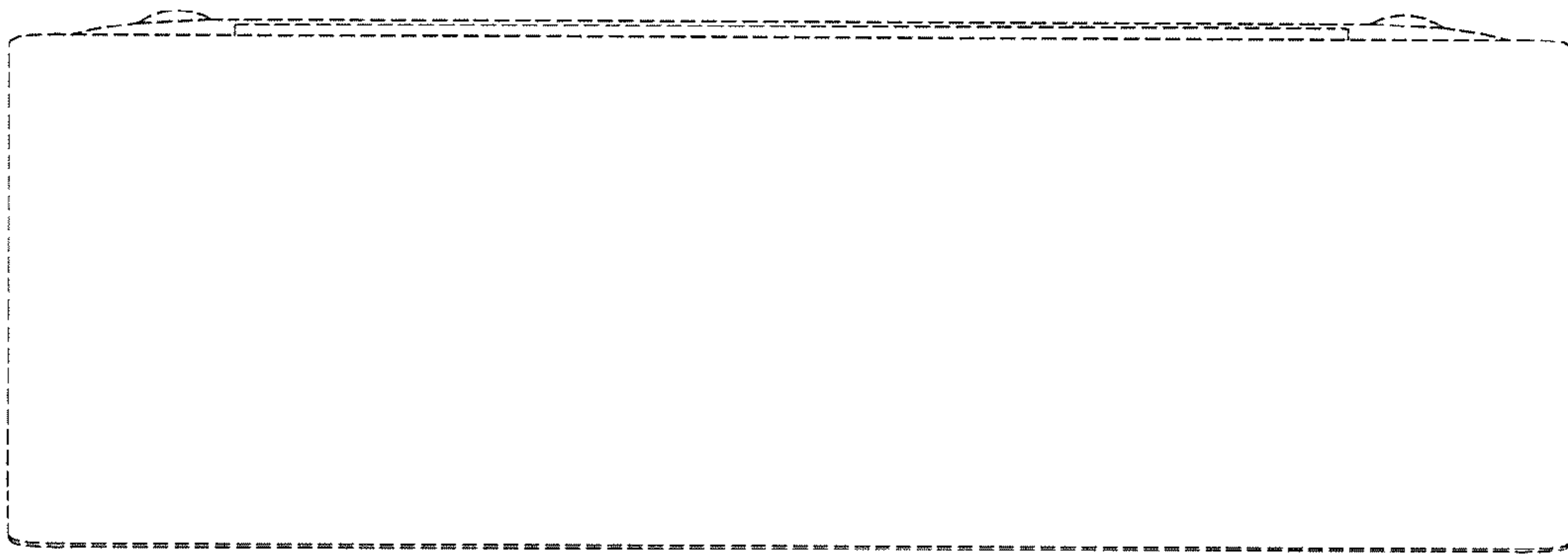


FIG. 20

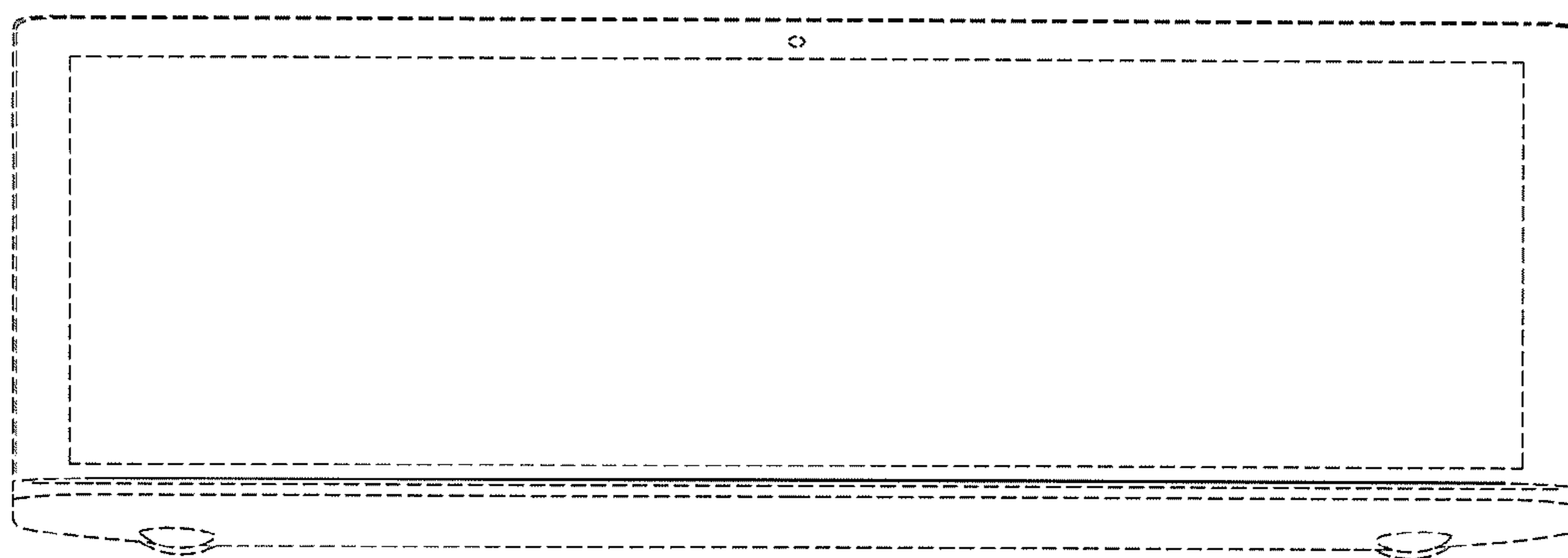


FIG. 21

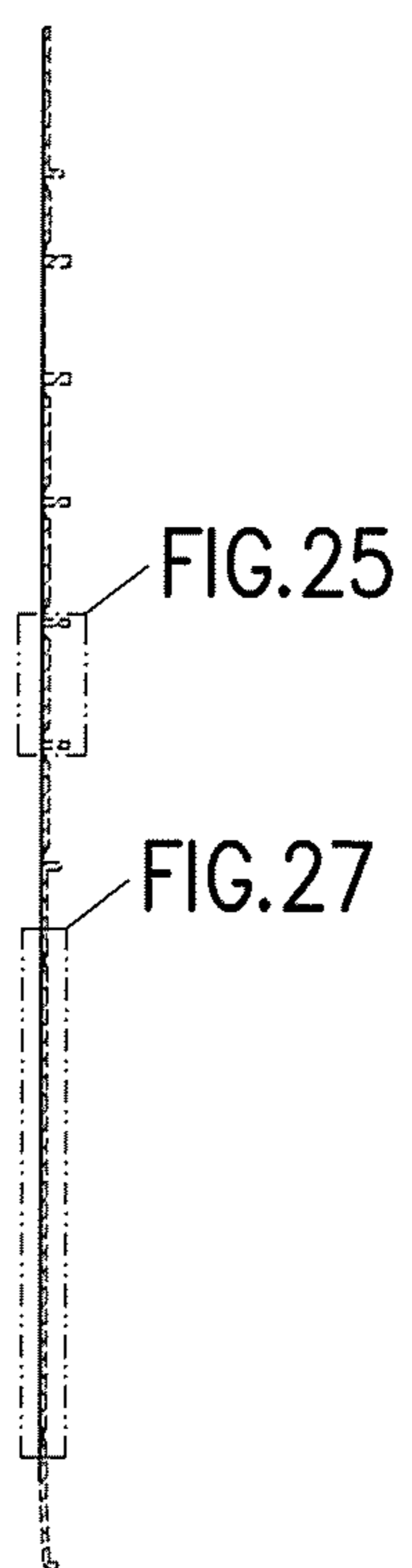


FIG. 22

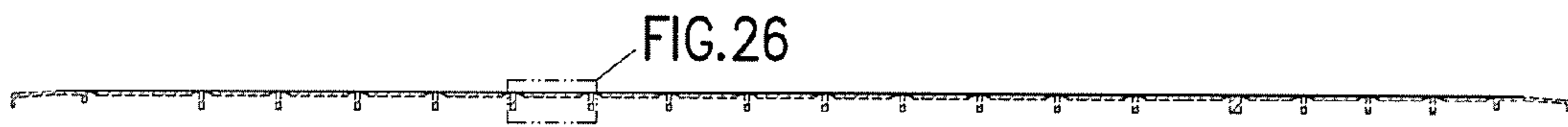


FIG. 23

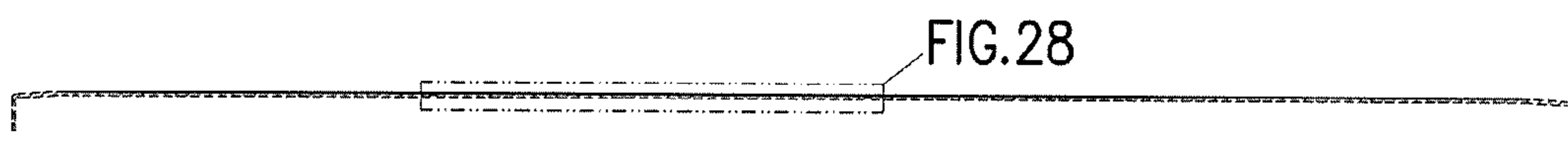


FIG. 24

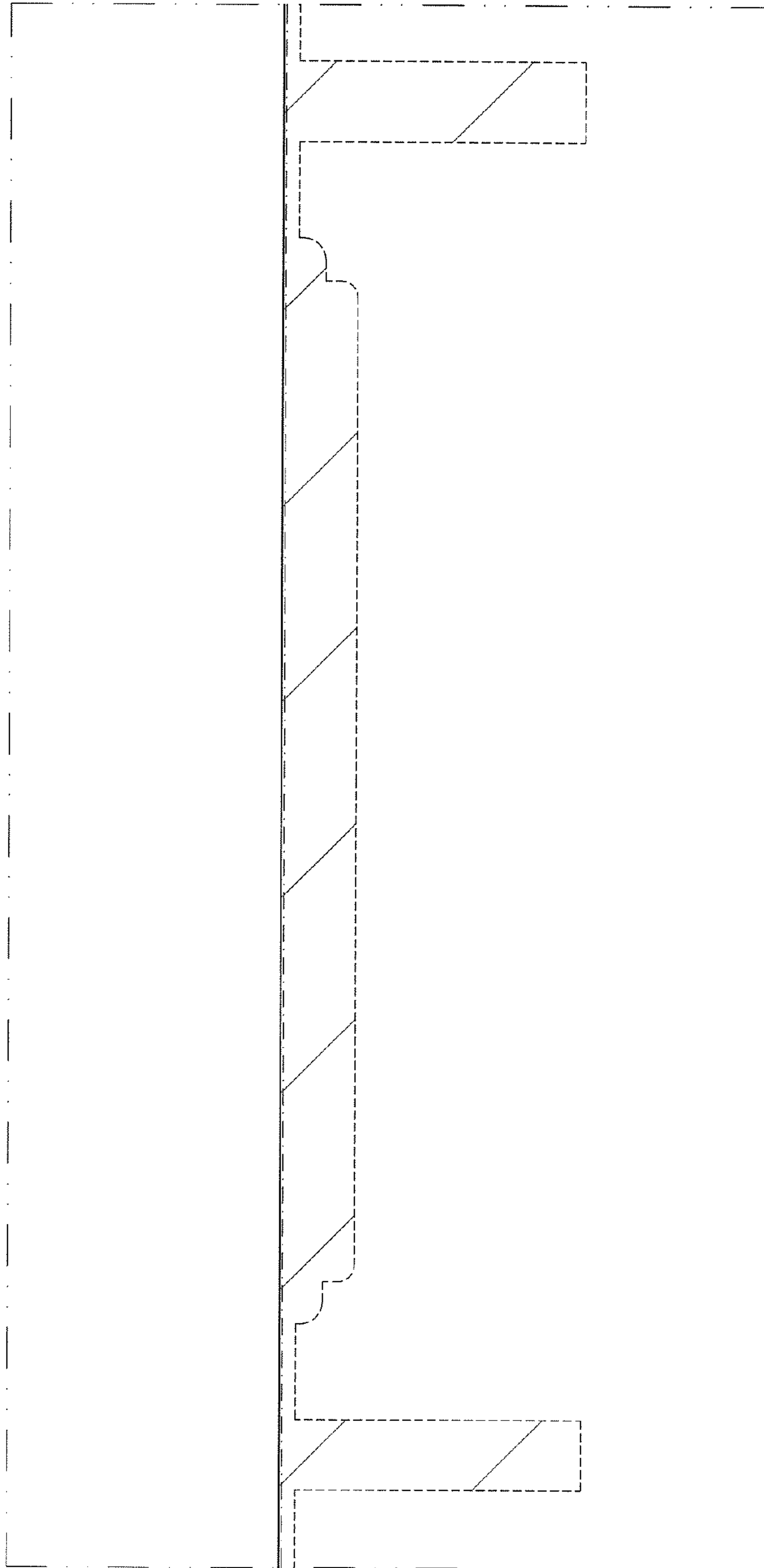


FIG. 25

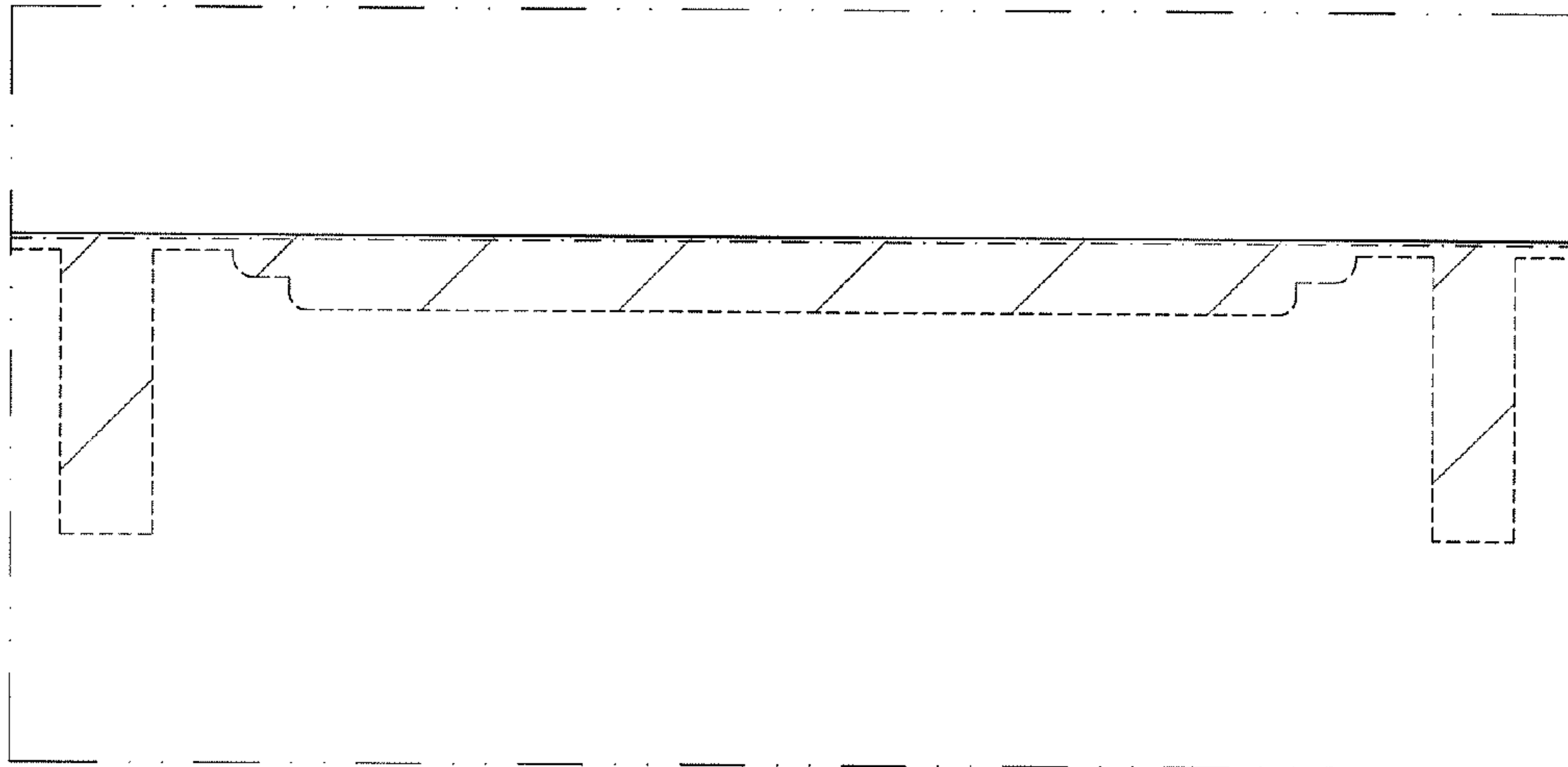


FIG. 26

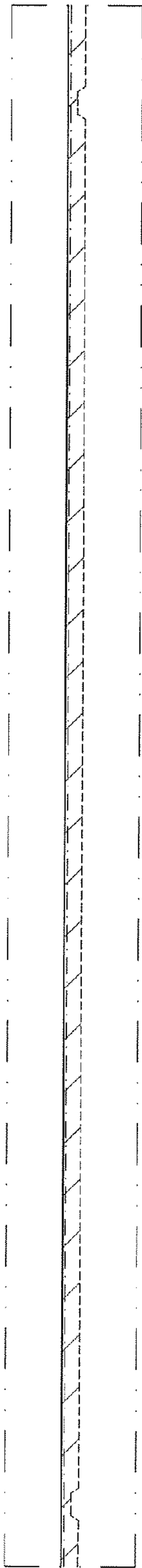


FIG. 27

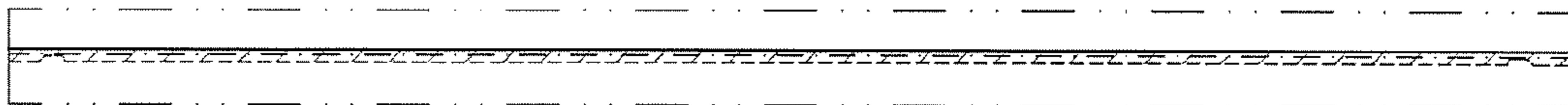


FIG. 28