

US00D765652S

(12) **United States Design Patent** (10) **Patent No.:** **US D765,652 S**
Smith (45) **Date of Patent:** **** Sep. 6, 2016**

(54) **INTERACTIVE TERMINAL**

(71) Applicant: **Cubic Corporation**, San Diego, CA
(US)

(72) Inventor: **Gavin Smith**, Crawley (GB)

(73) Assignee: **Cubic Corporation**, San Diego, CA
(US)

(**) Term: **15 Years**

(21) Appl. No.: **29/529,799**

(22) Filed: **Jun. 10, 2015**

(51) **LOC (10) Cl.** **14-02**

(52) **U.S. Cl.**
USPC **D14/302**

(58) **Field of Classification Search**
USPC D14/300, 302-308, 314, 349, 496;
D13/163; D12/319; D6/641, 642, 664
CPC A47B 21/00; A47B 21/06; A47B 13/08;
A47B 35/00; A47B 21/0314; A47B 17/003;
A47B 83/001; G06Q 20/10; G06Q 20/18;
G06Q 20/20; G06Q 20/123; A47F 9/047;
A47G 5/00; E04B 2/7433; E04H 3/24
See application file for complete search history.

(56) **References Cited**

U.S. PATENT DOCUMENTS

D471,192 S * 3/2003 Lin D14/335
D681,030 S * 4/2013 Yopez D14/307

* cited by examiner

Primary Examiner — Freda S Nunn

(74) *Attorney, Agent, or Firm* — Kilpatrick Townsend &
Stockton LLP

(57) **CLAIM**

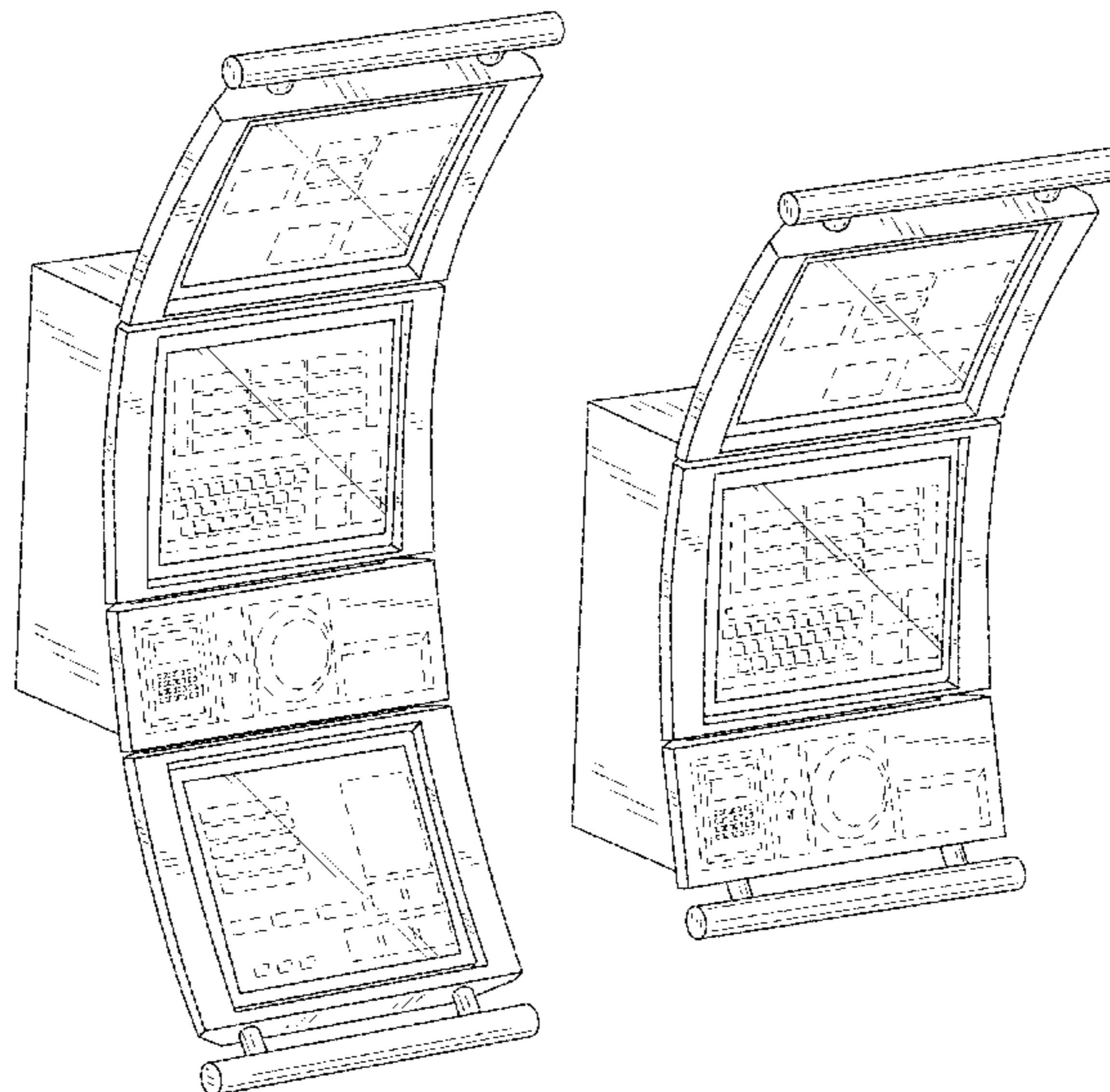
I claim the ornamental design for an interactive terminal,
substantially as shown and described.

DESCRIPTION

FIG. 1 is a perspective view of a first embodiment of the
interactive terminal;
FIG. 2 is a front view thereof;
FIG. 3 is a rear view thereof;
FIG. 4 is a right side view thereof;
FIG. 5 is a left side view thereof;
FIG. 6 is a top view thereof;
FIG. 7 is a bottom view thereof;
FIG. 8 is a perspective view of a second embodiment of the
interactive terminal;
FIG. 9 is a front view thereof;
FIG. 10 is a rear view thereof;
FIG. 11 is a right side view thereof;
FIG. 12 is a left side view thereof;
FIG. 13 is a top view thereof;
FIG. 14 is a bottom view thereof;
FIG. 15 is a perspective view of a third embodiment of the
interactive terminal;
FIG. 16 is a front view thereof;
FIG. 17 is a rear view thereof;
FIG. 18 is a right side view thereof;
FIG. 19 is a left side view thereof;
FIG. 20 is a top view thereof;
FIG. 21 is a bottom view thereof;
FIG. 22 is a perspective view of a fourth embodiment of the
interactive terminal;
FIG. 23 is a front view thereof;
FIG. 24 is a rear view thereof;
FIG. 25 is a right side view thereof;
FIG. 26 is a left side view thereof;
FIG. 27 is a top view thereof; and,
FIG. 28 is a bottom view thereof.

Broken lines shown in the drawings illustrate portions of the
interactive terminal, and form no part of the claimed design.

1 Claim, 23 Drawing Sheets



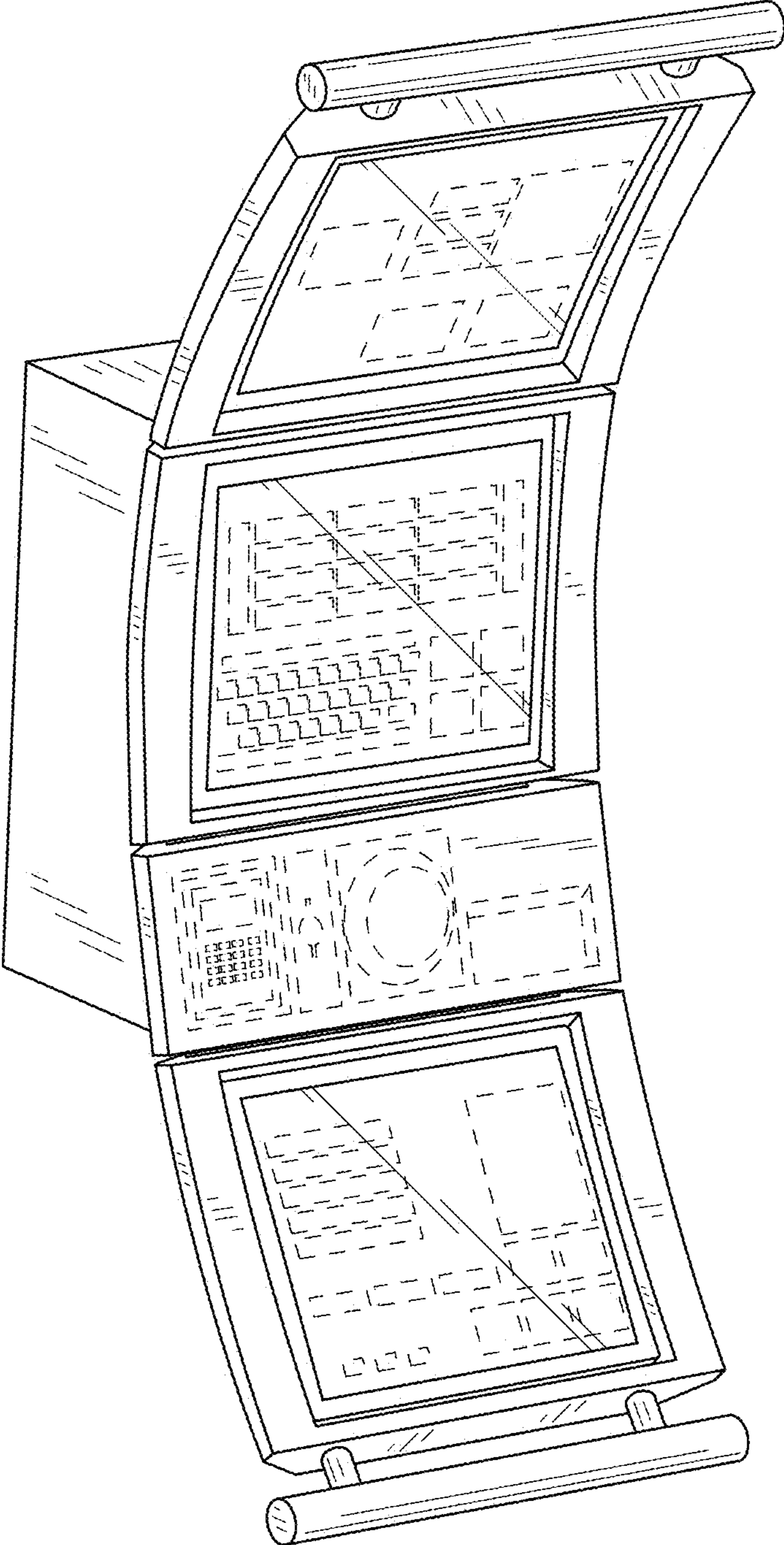


FIG. 1

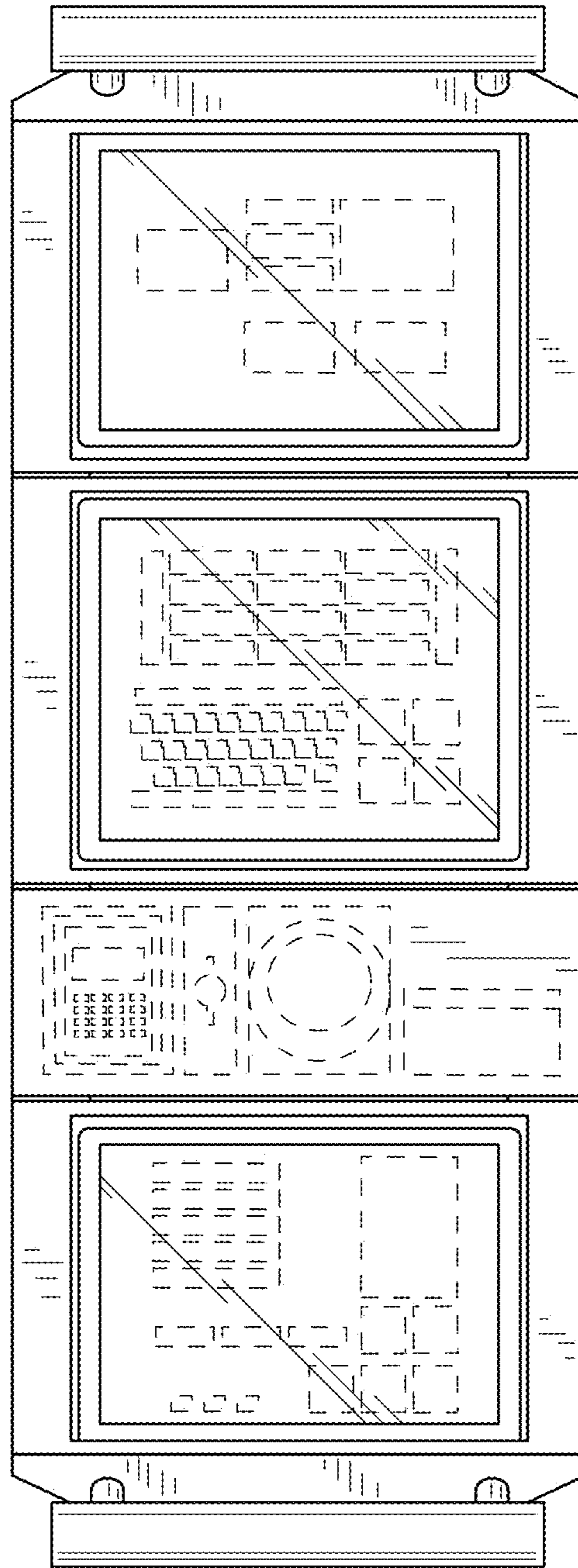


FIG. 2

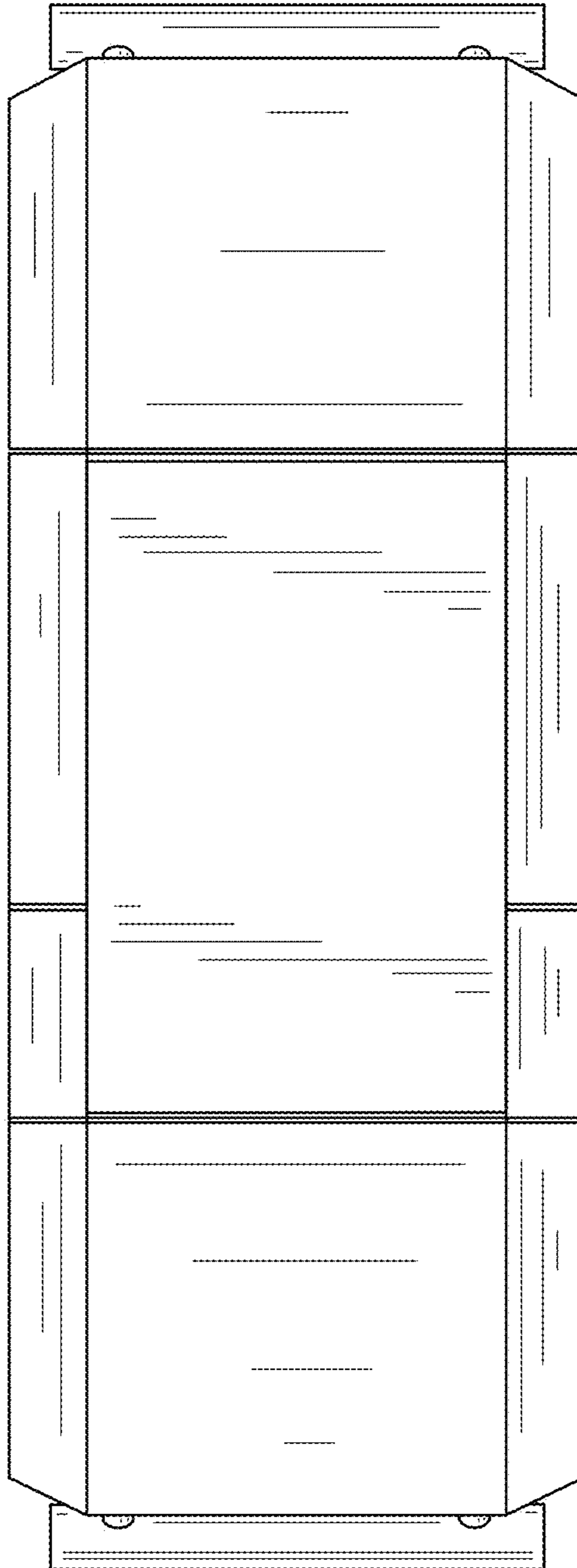


FIG. 3

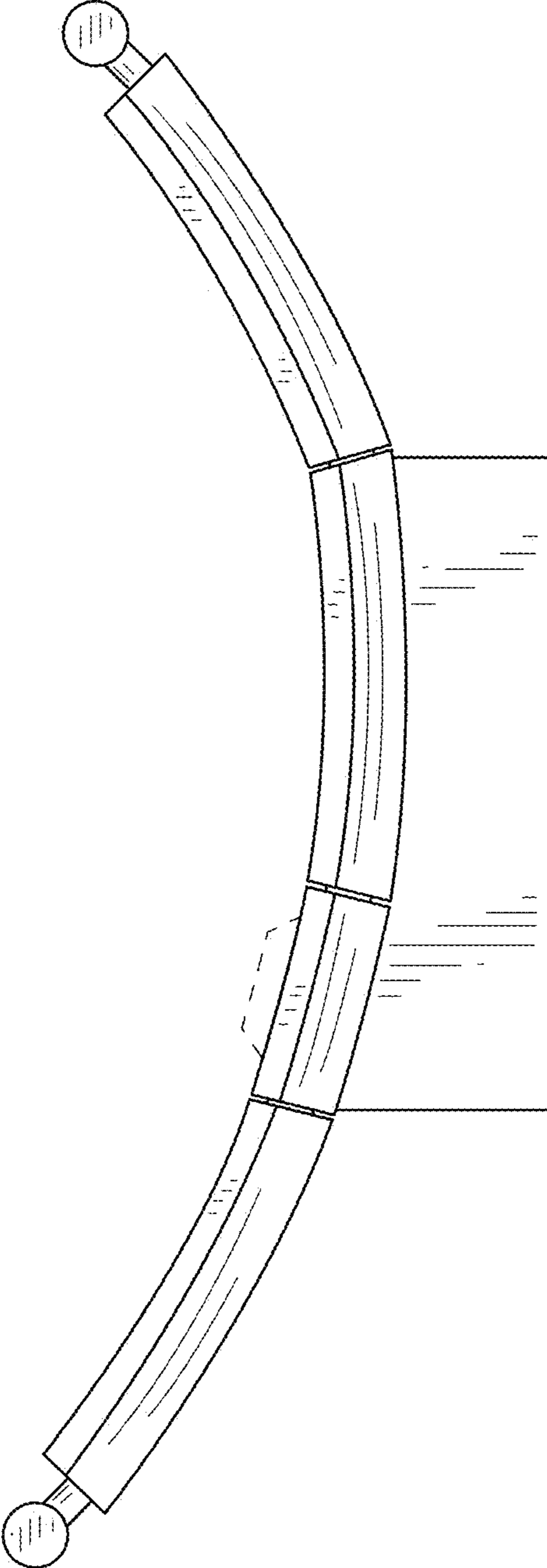


FIG. 4

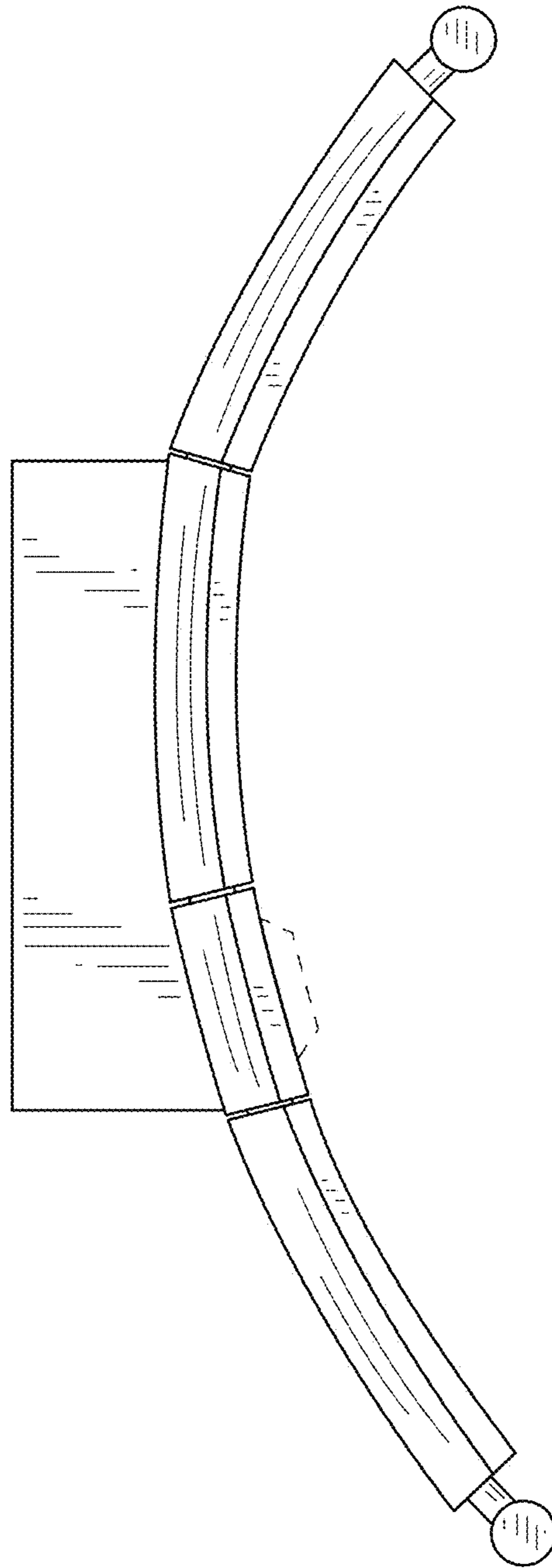


FIG. 5

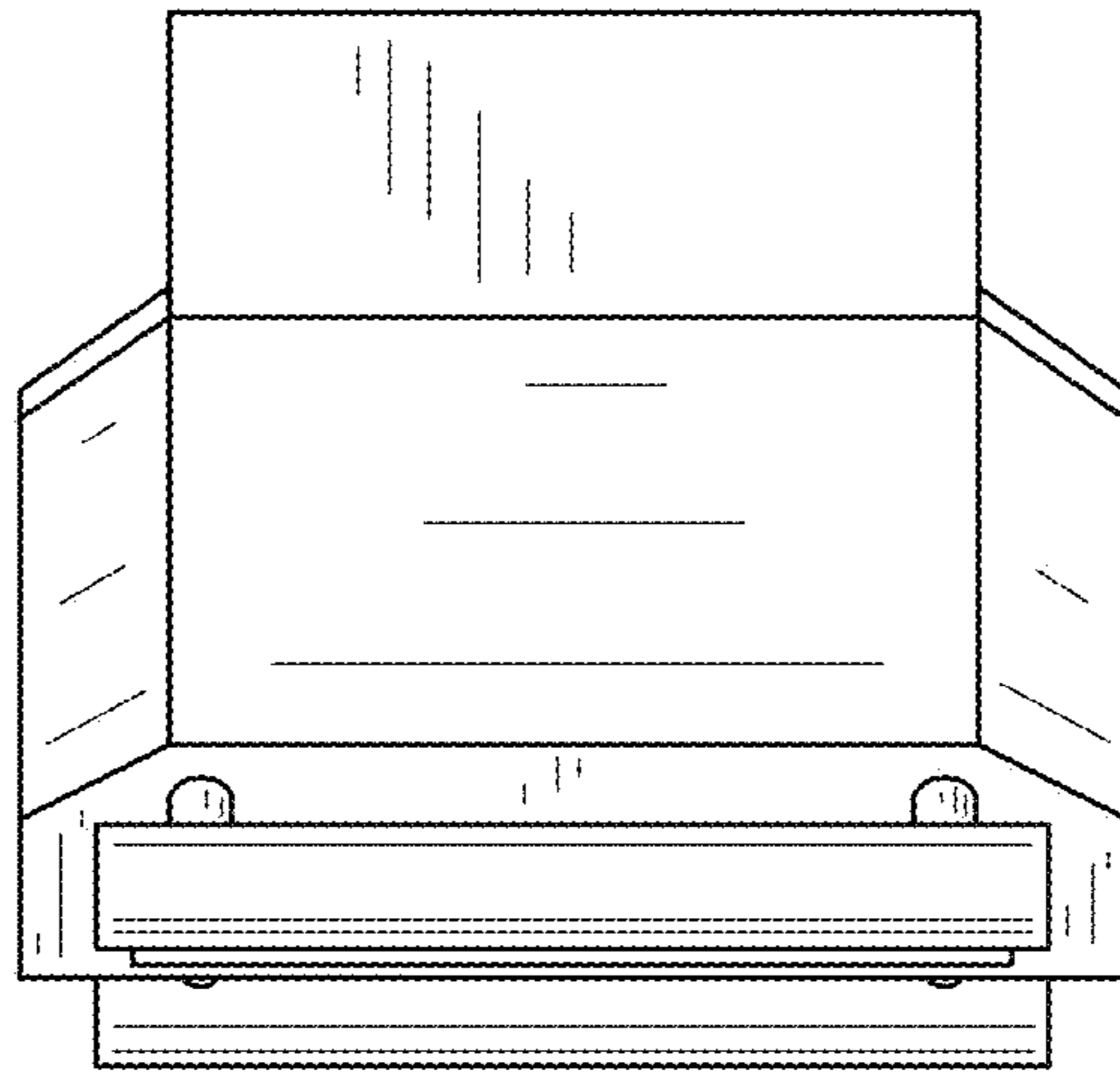


FIG. 6

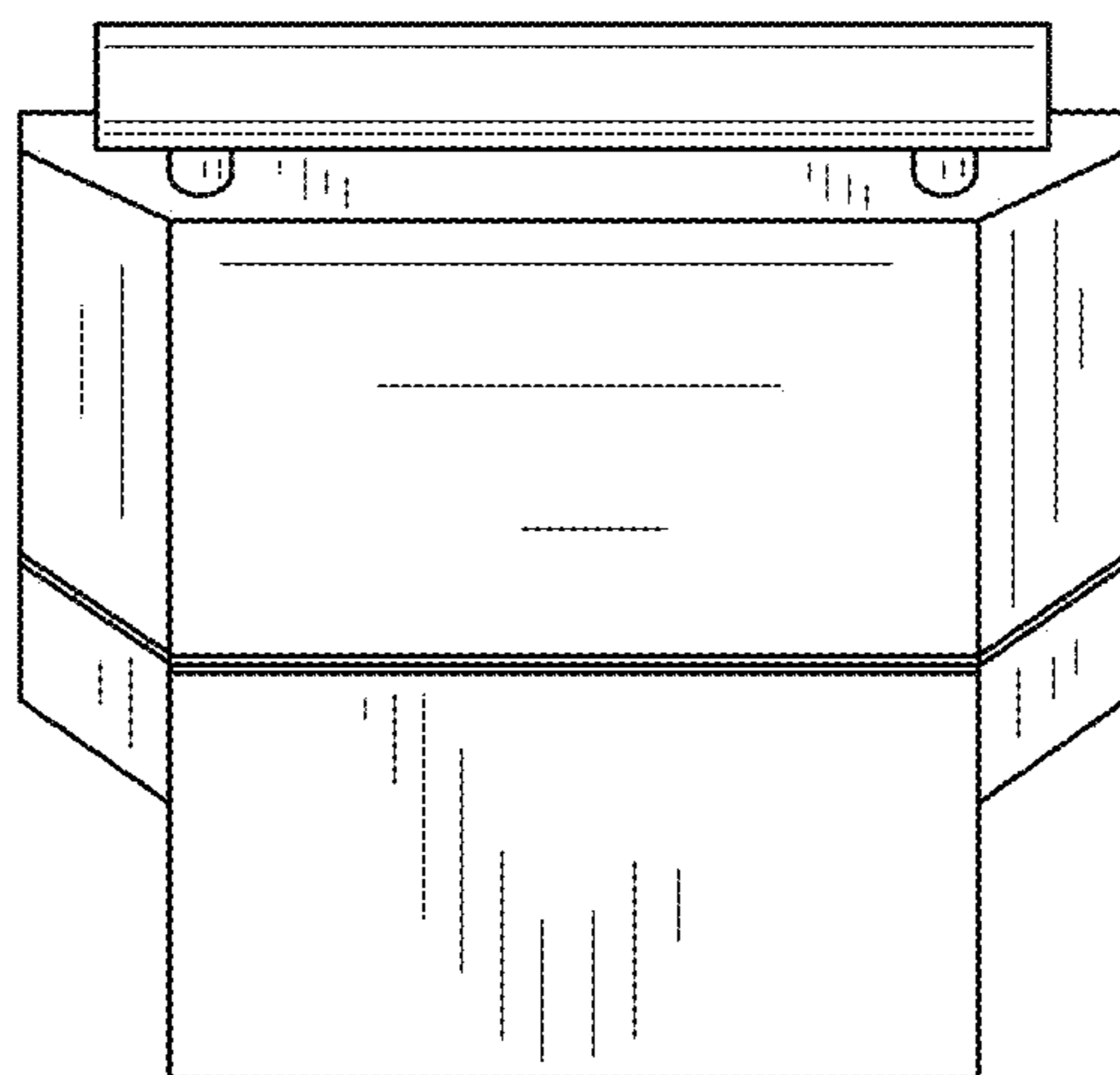


FIG. 7

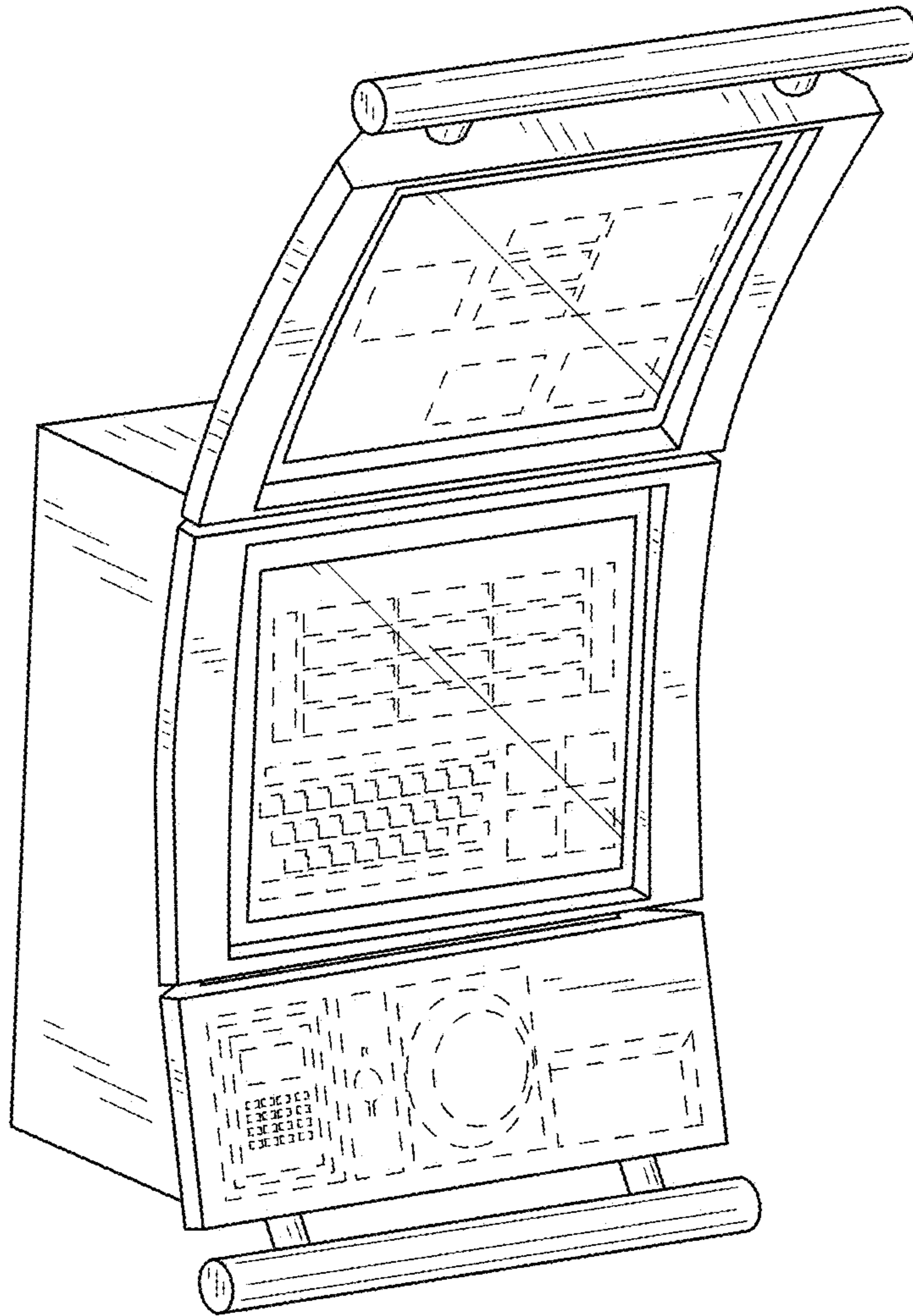


FIG. 8

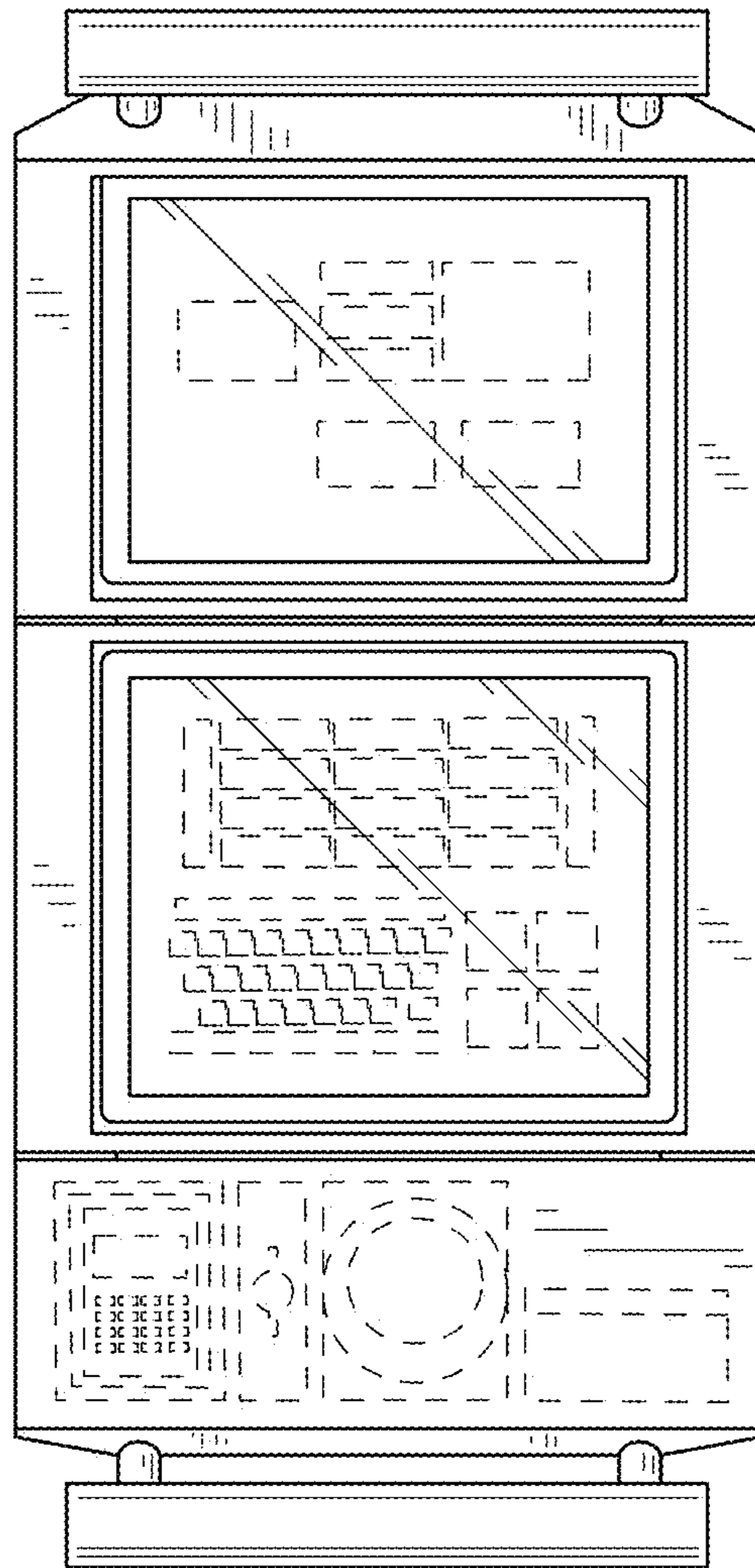


FIG. 9

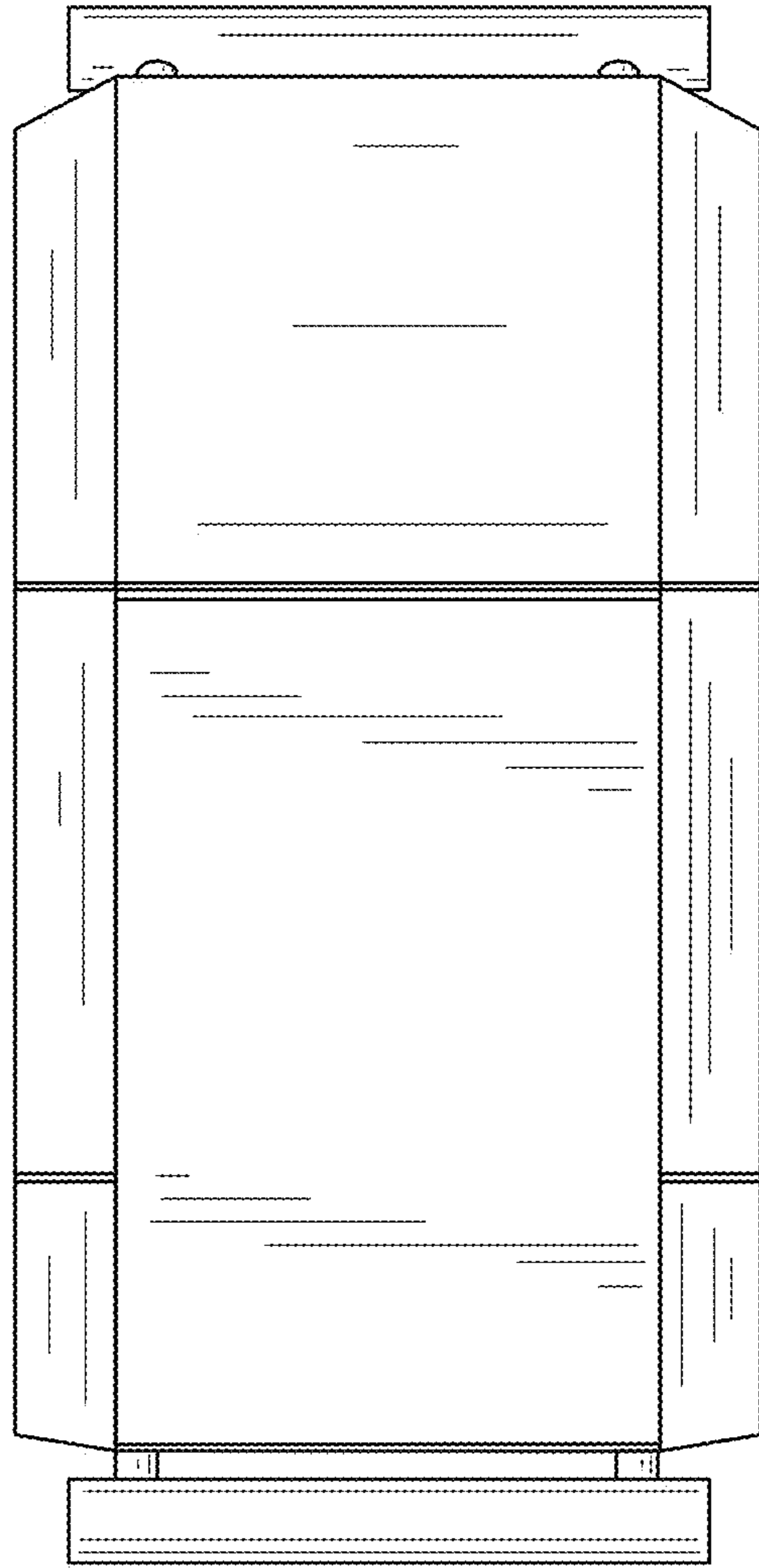


FIG. 10

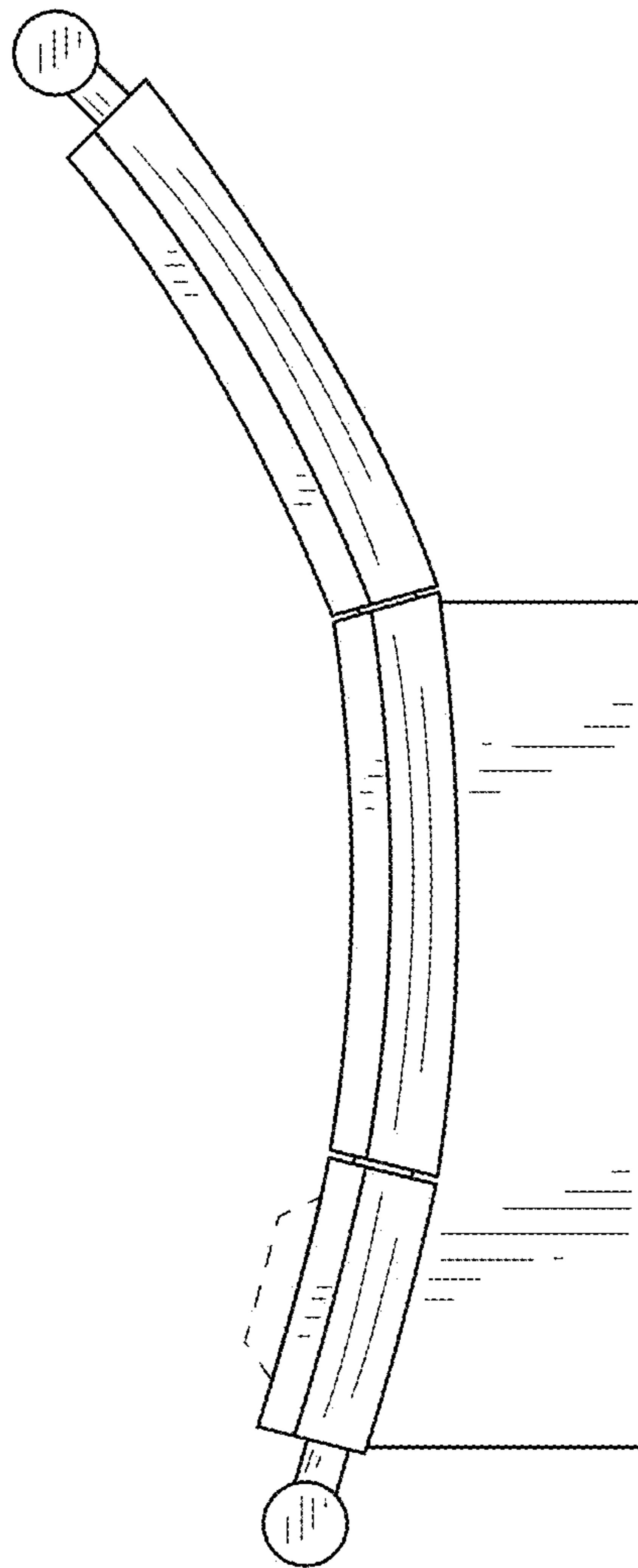


FIG. 11

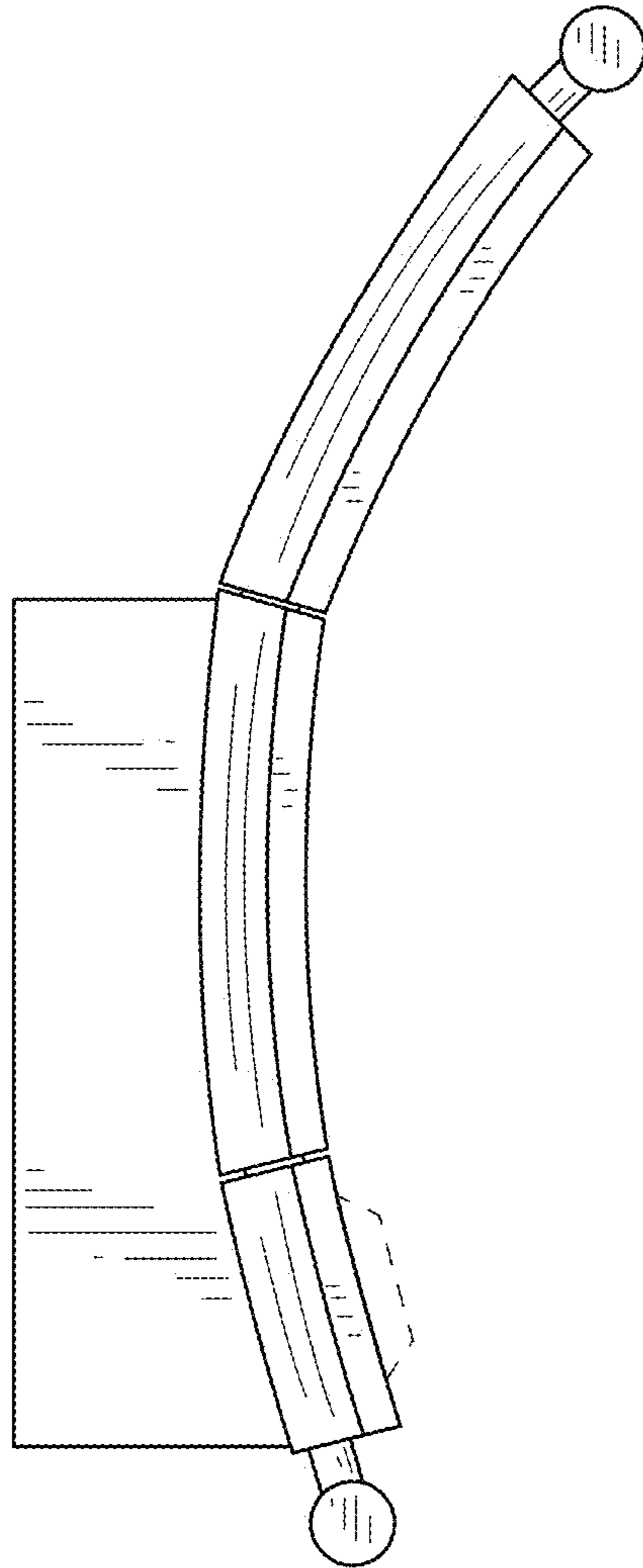


FIG. 12

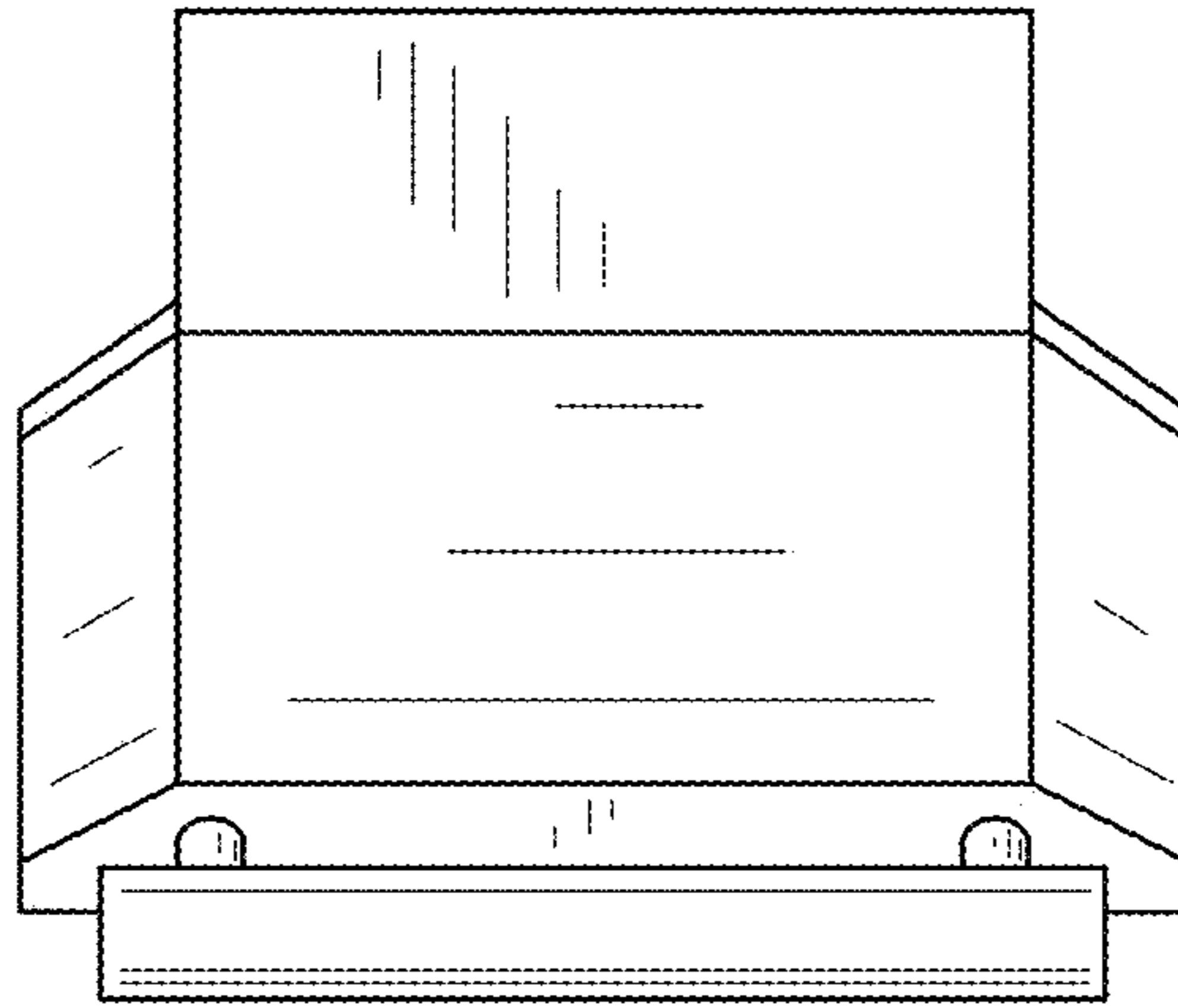


FIG. 13

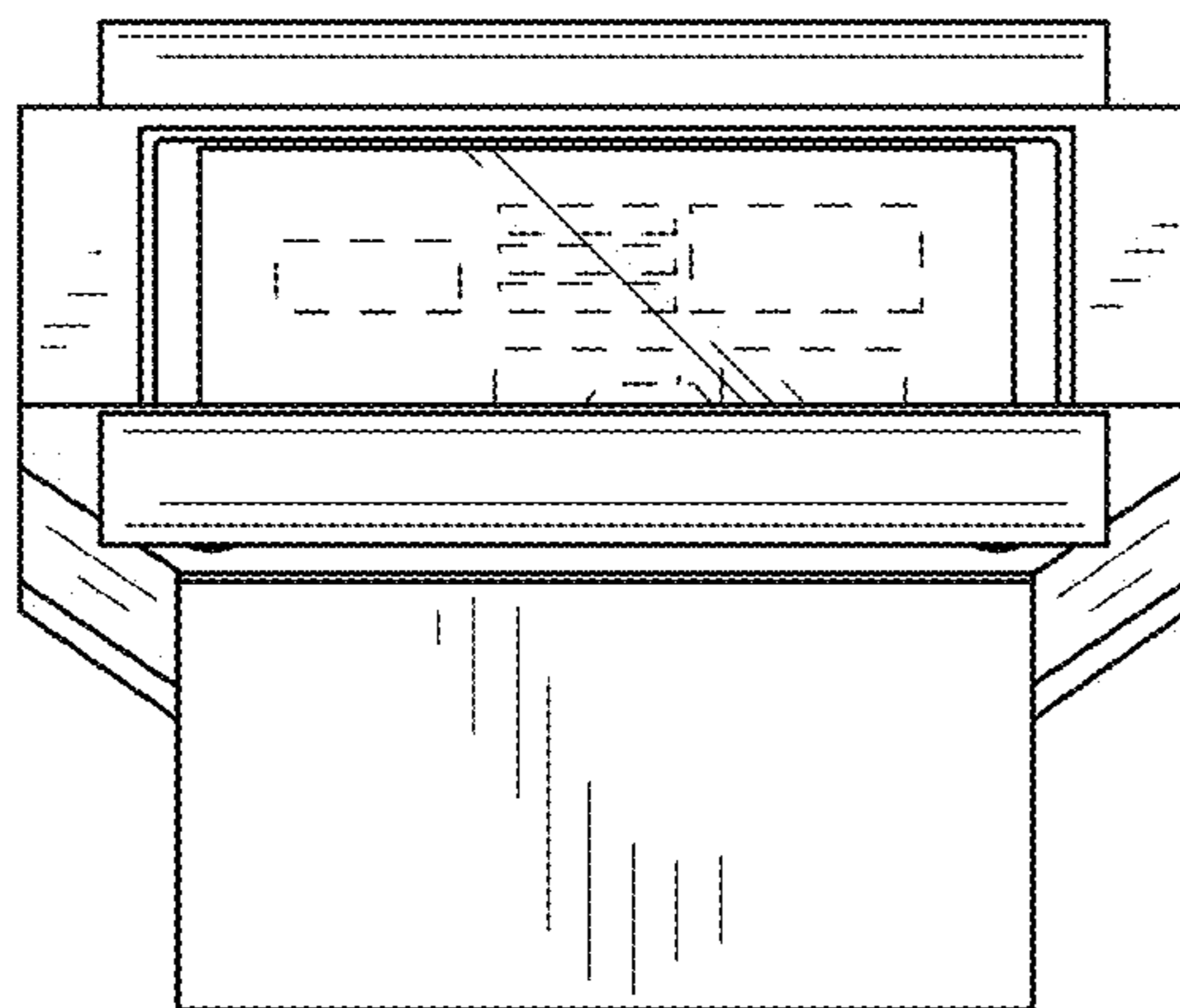


FIG. 14

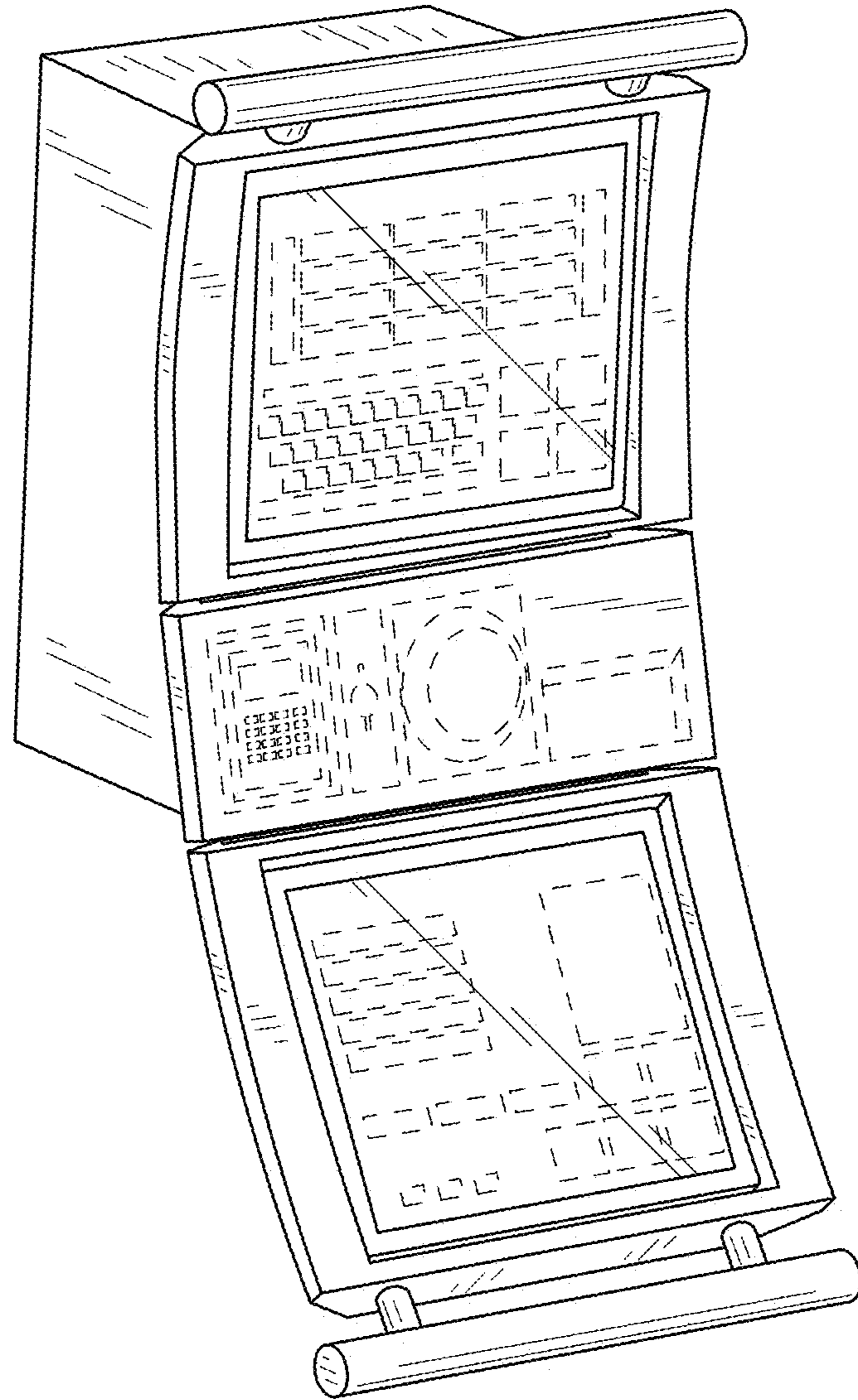


FIG. 15

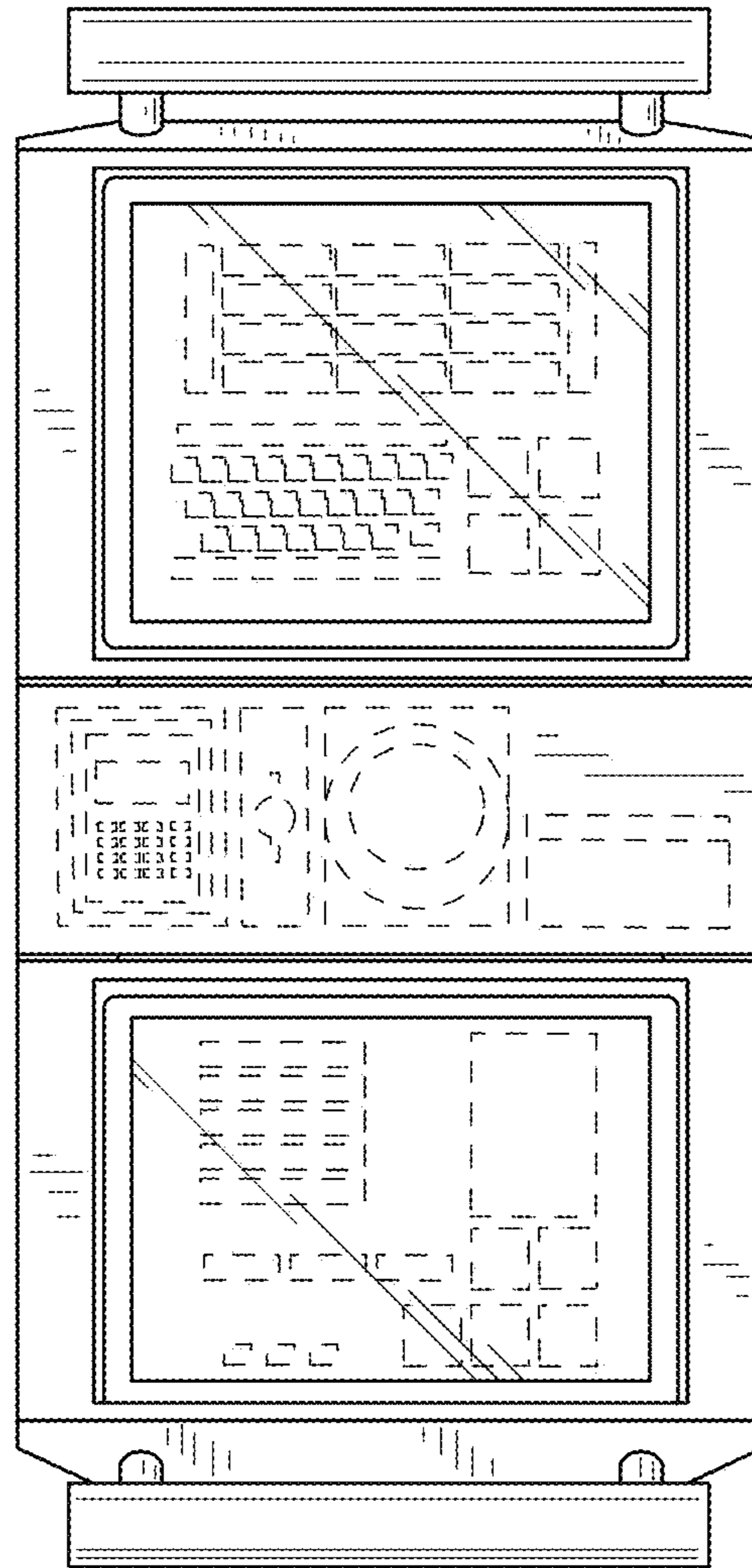


FIG. 16

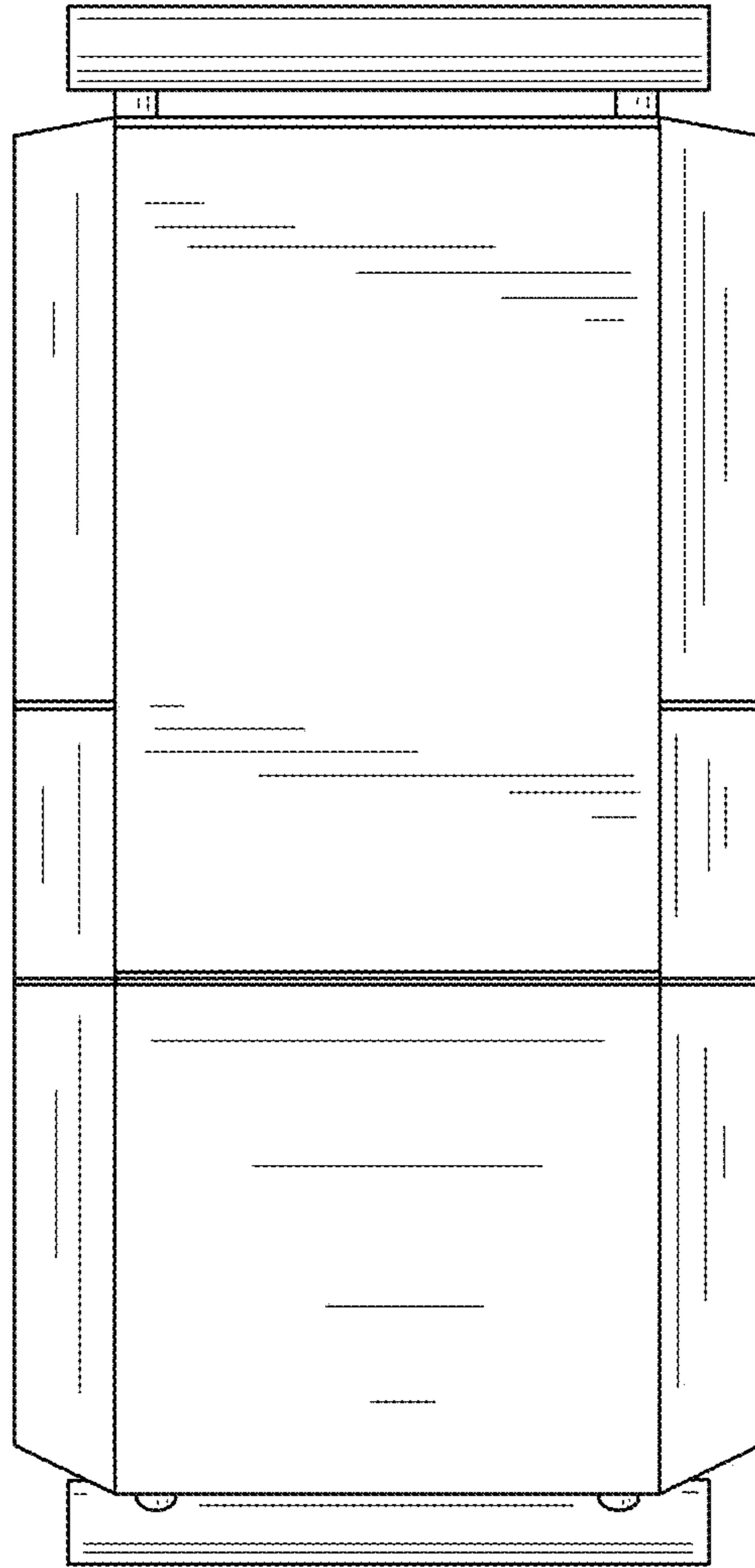


FIG. 17

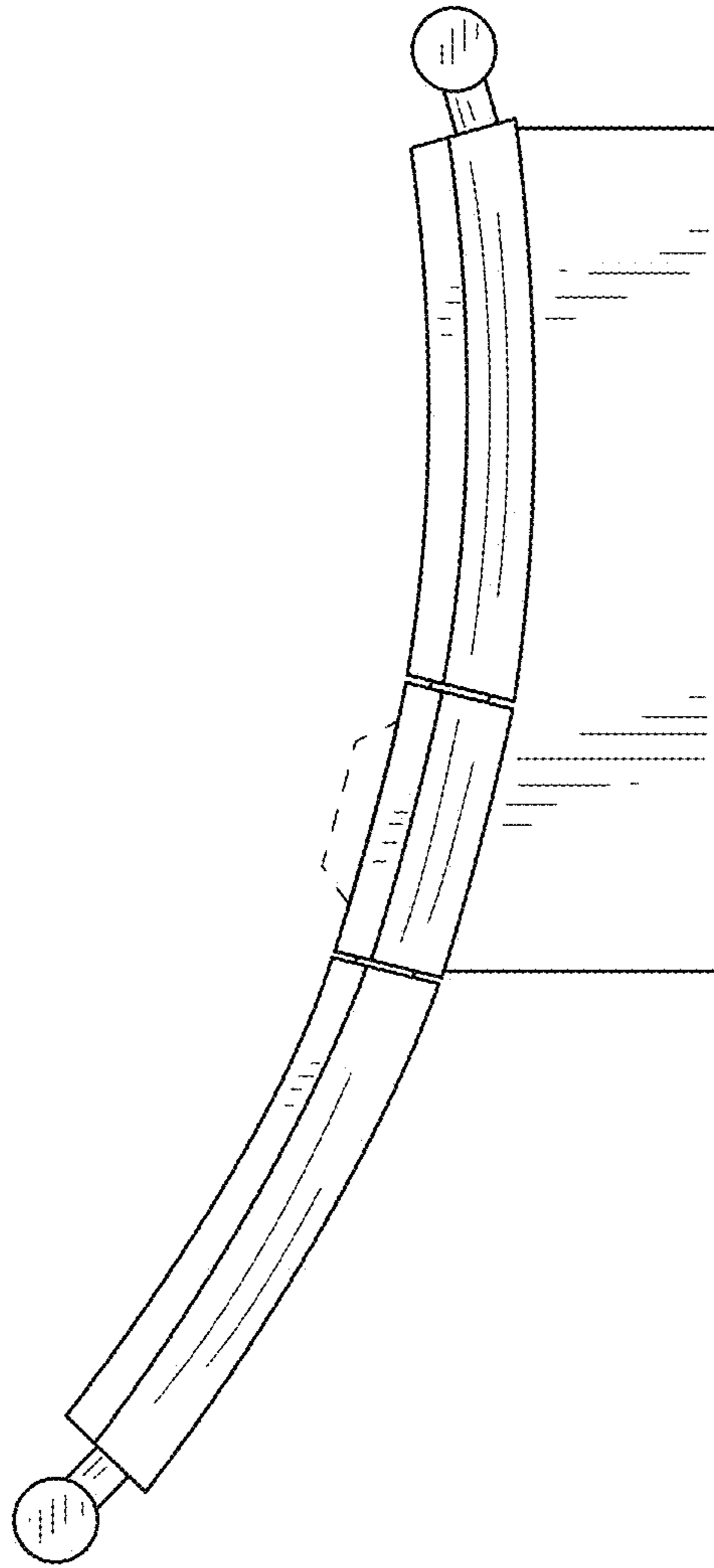


FIG. 18

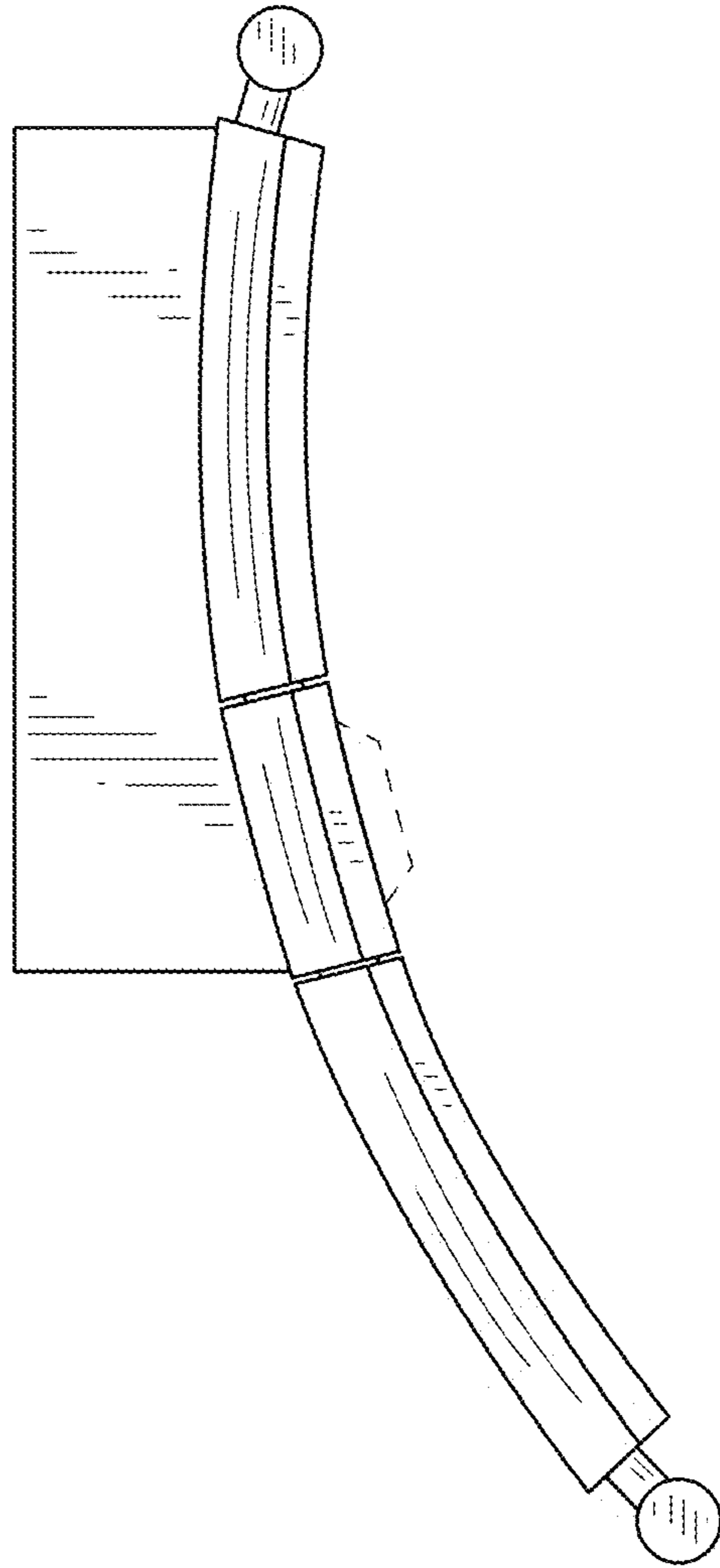


FIG. 19

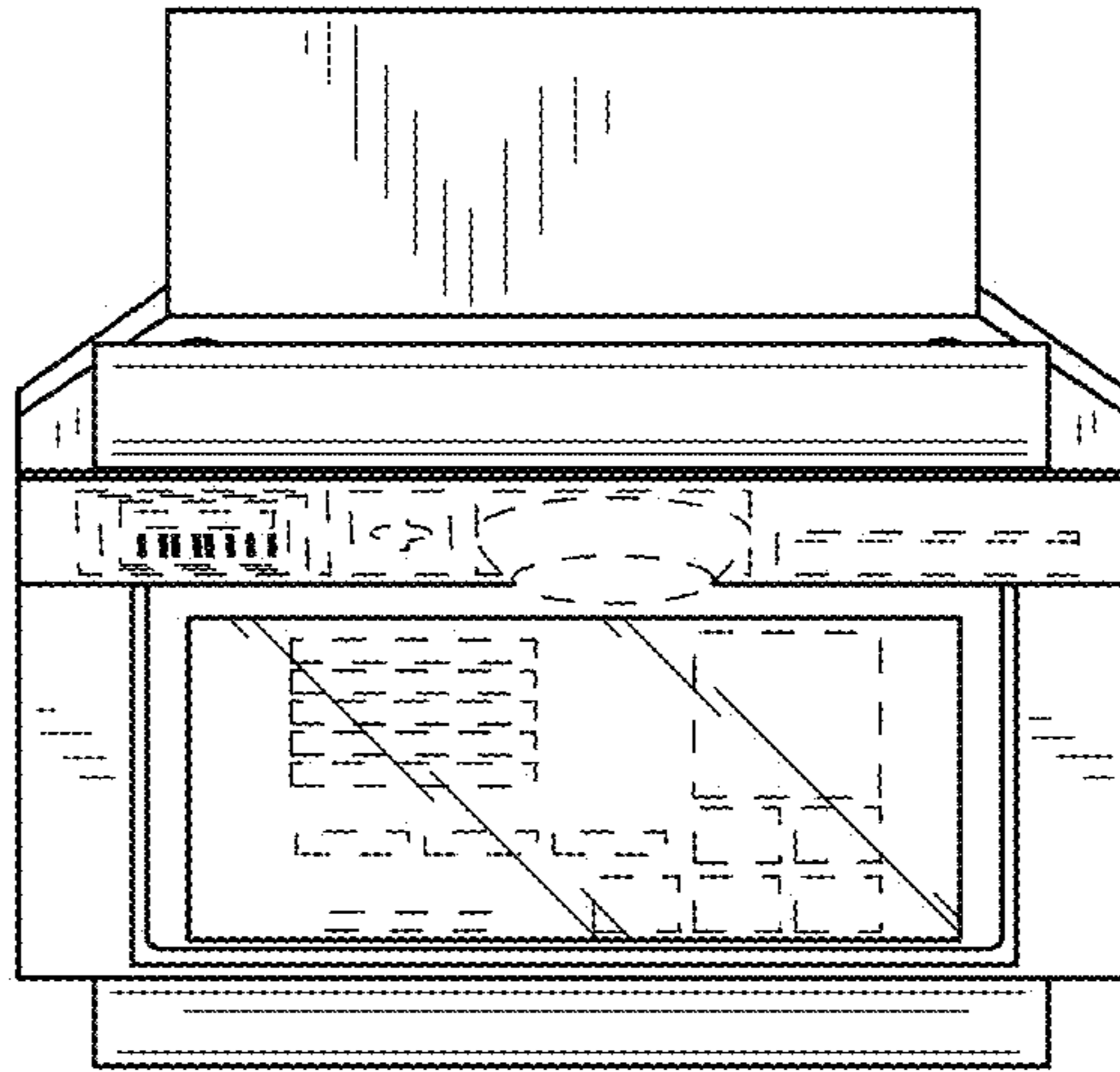


FIG. 20

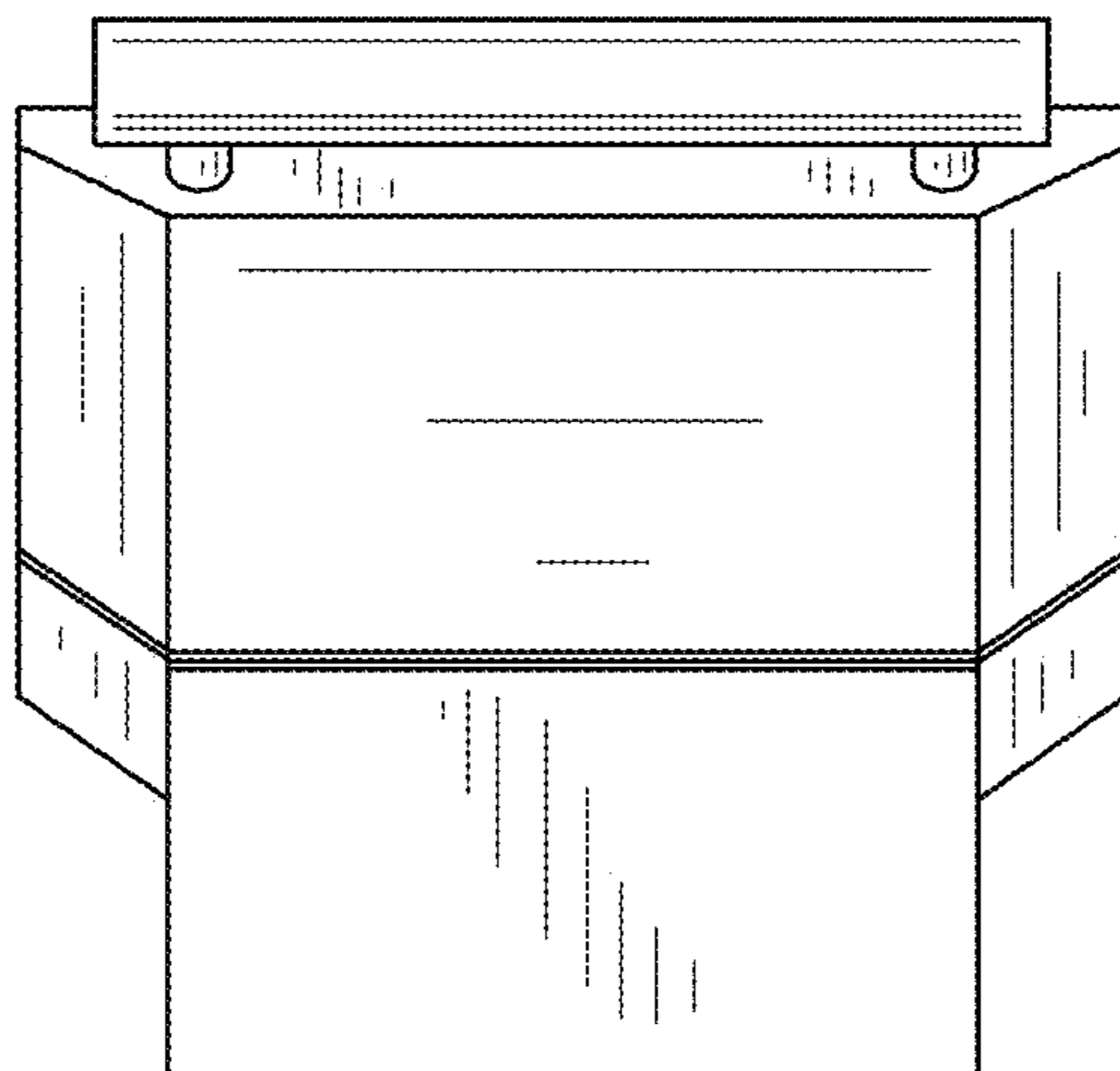


FIG. 21

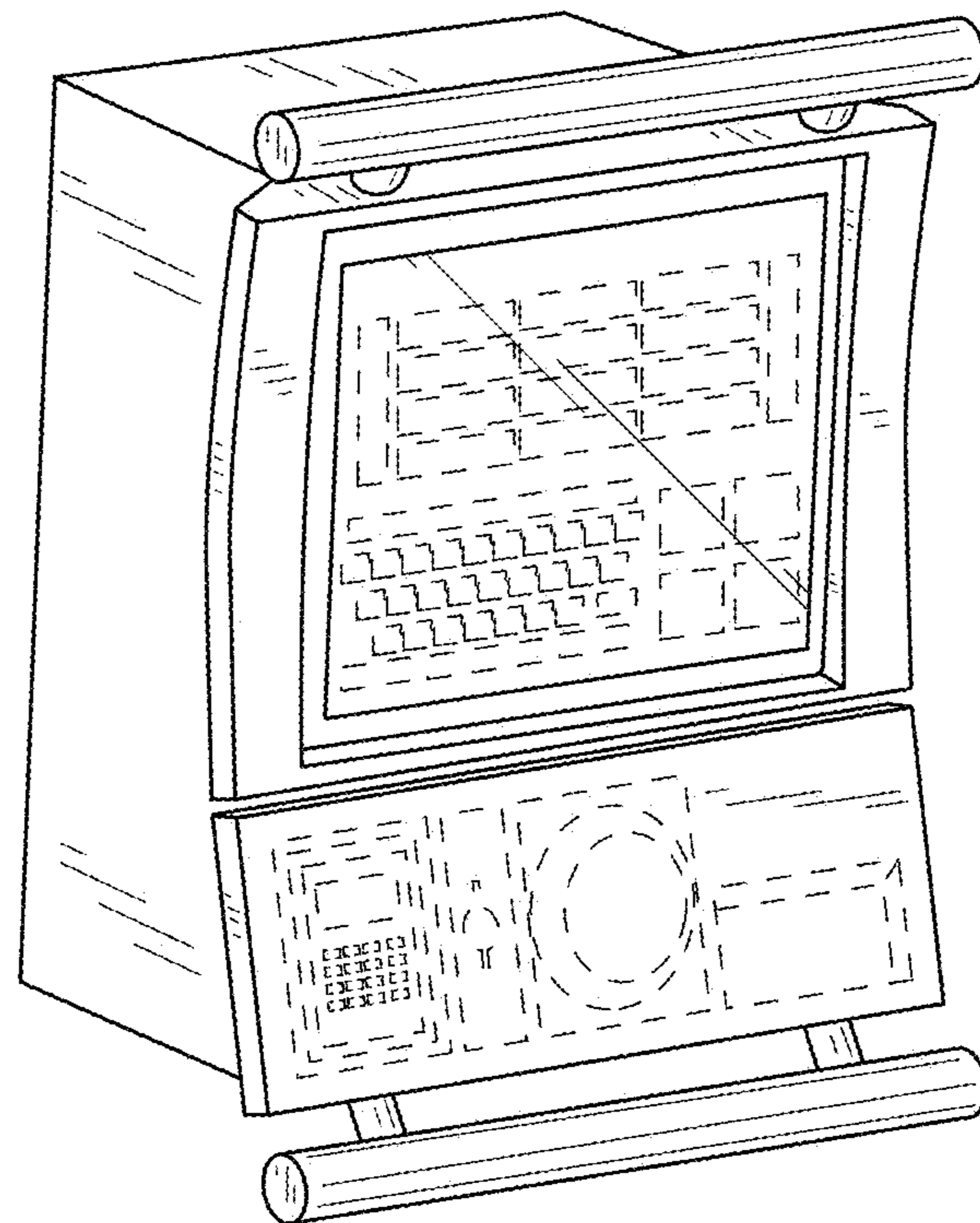


FIG. 22

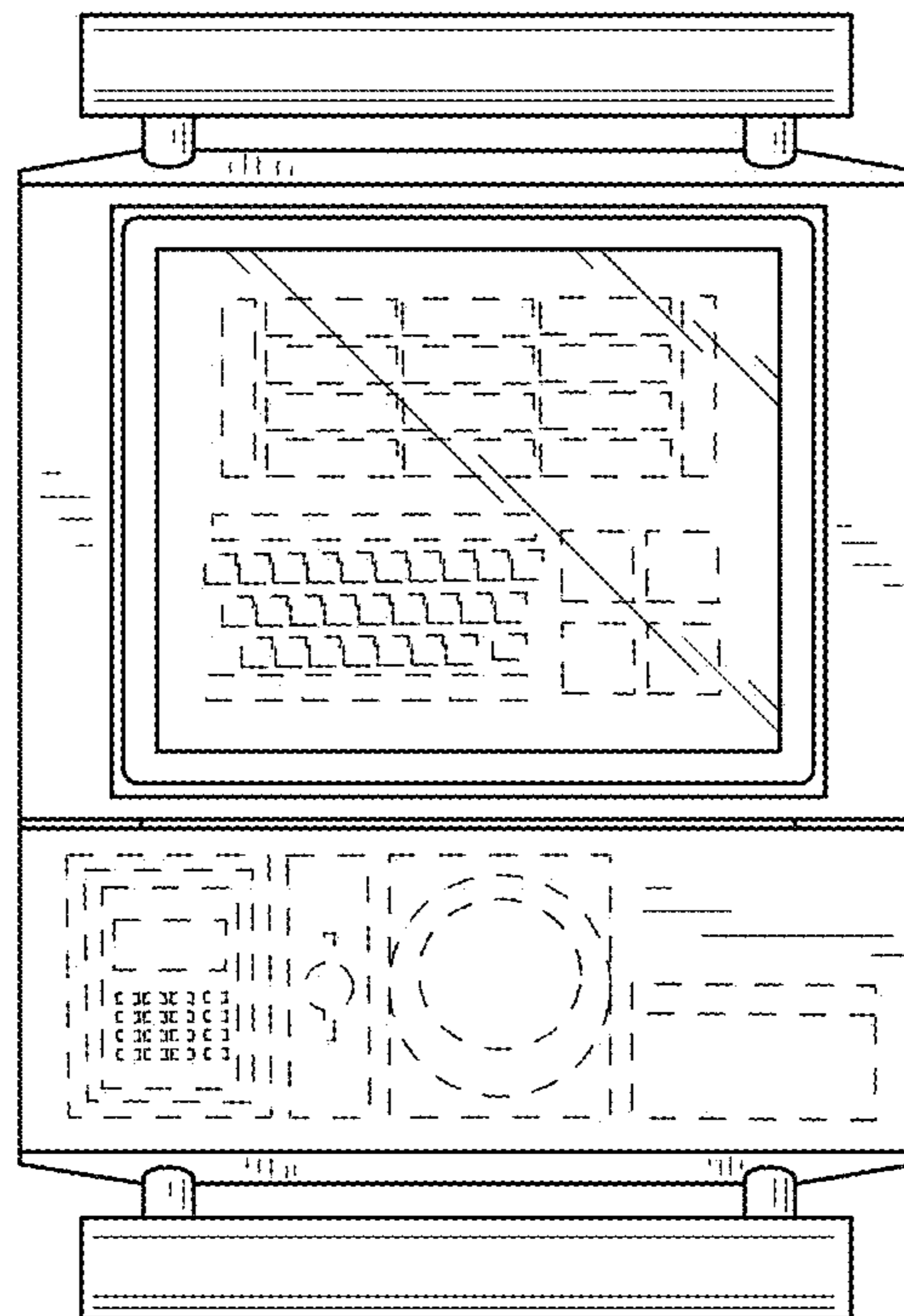


FIG. 23

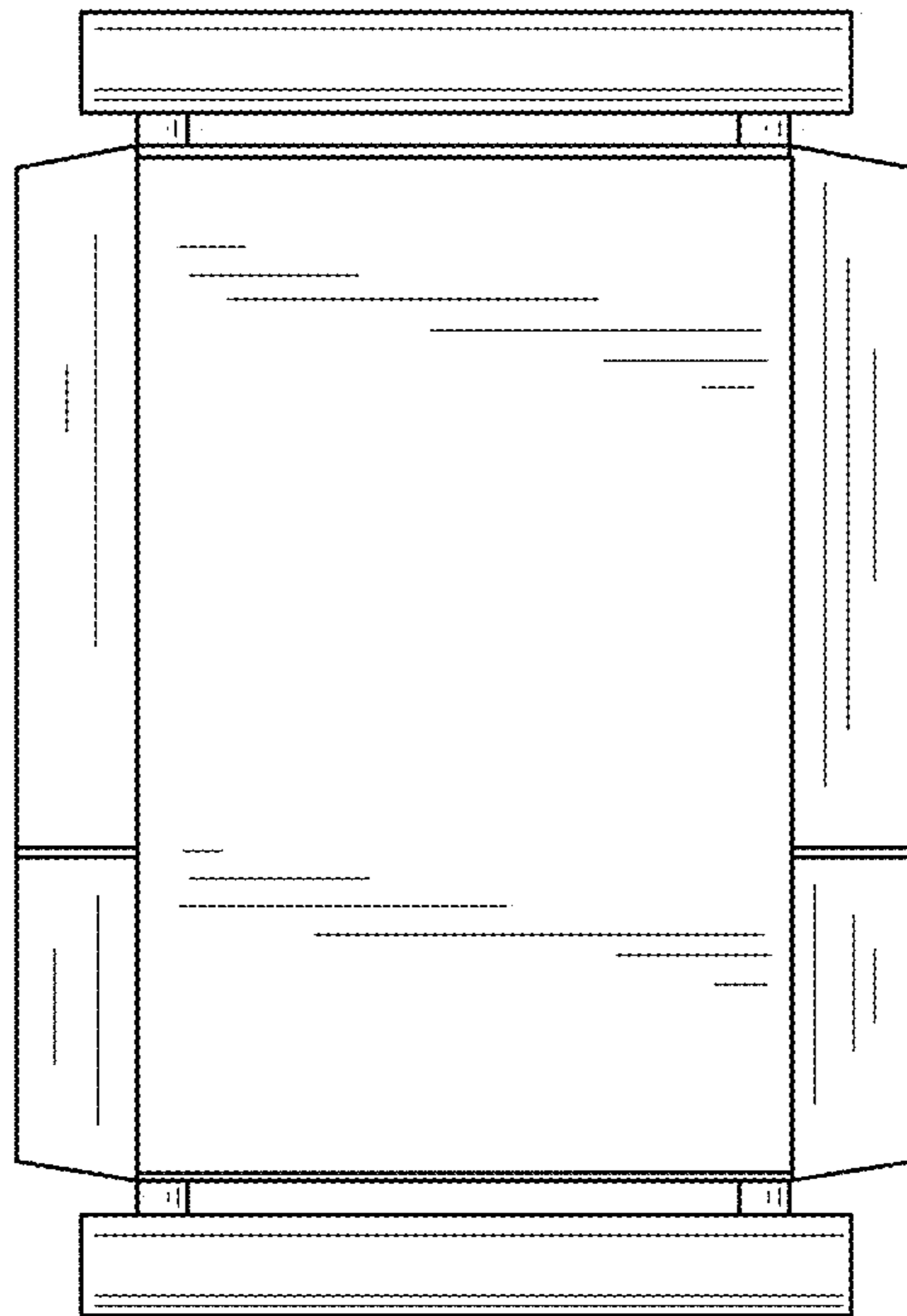


FIG. 24

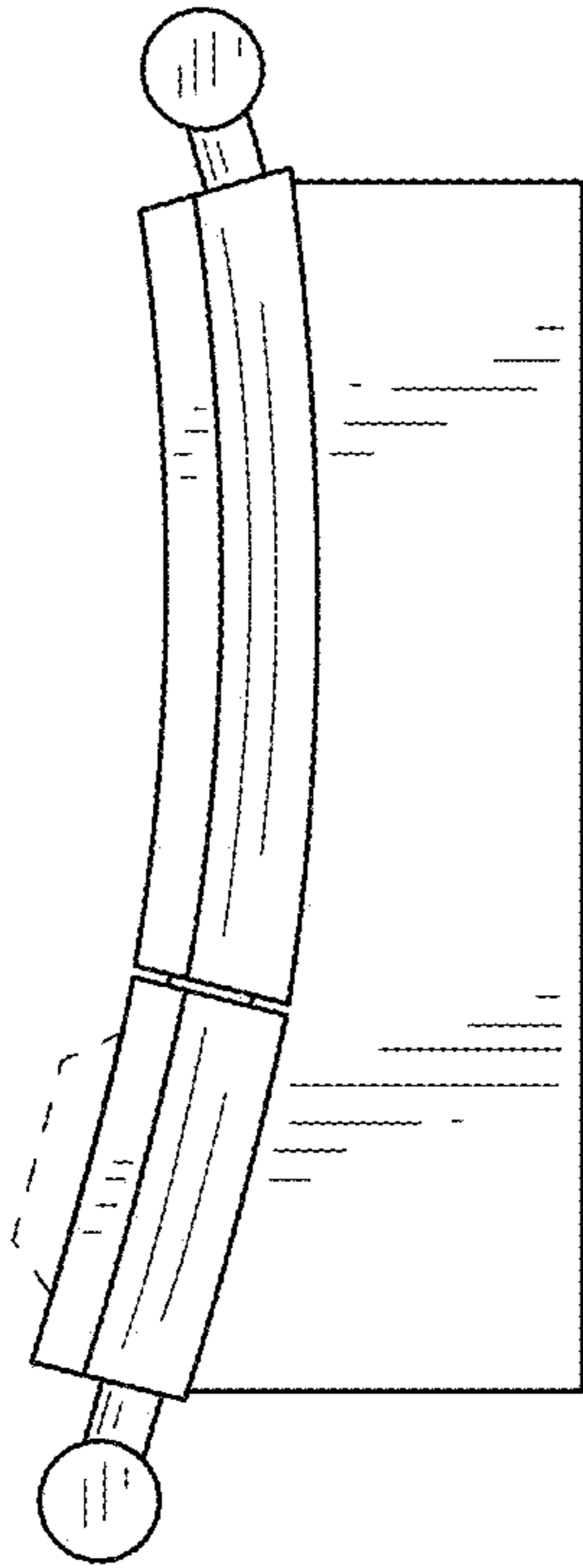


FIG. 25

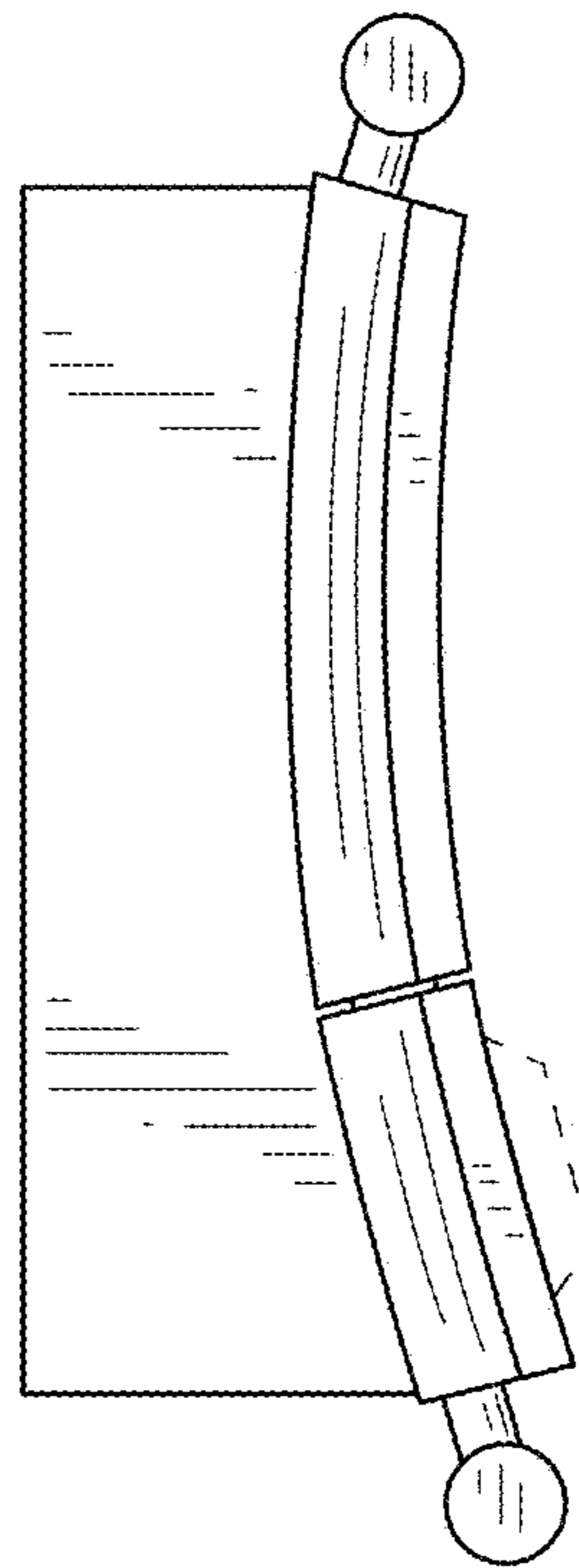


FIG. 26

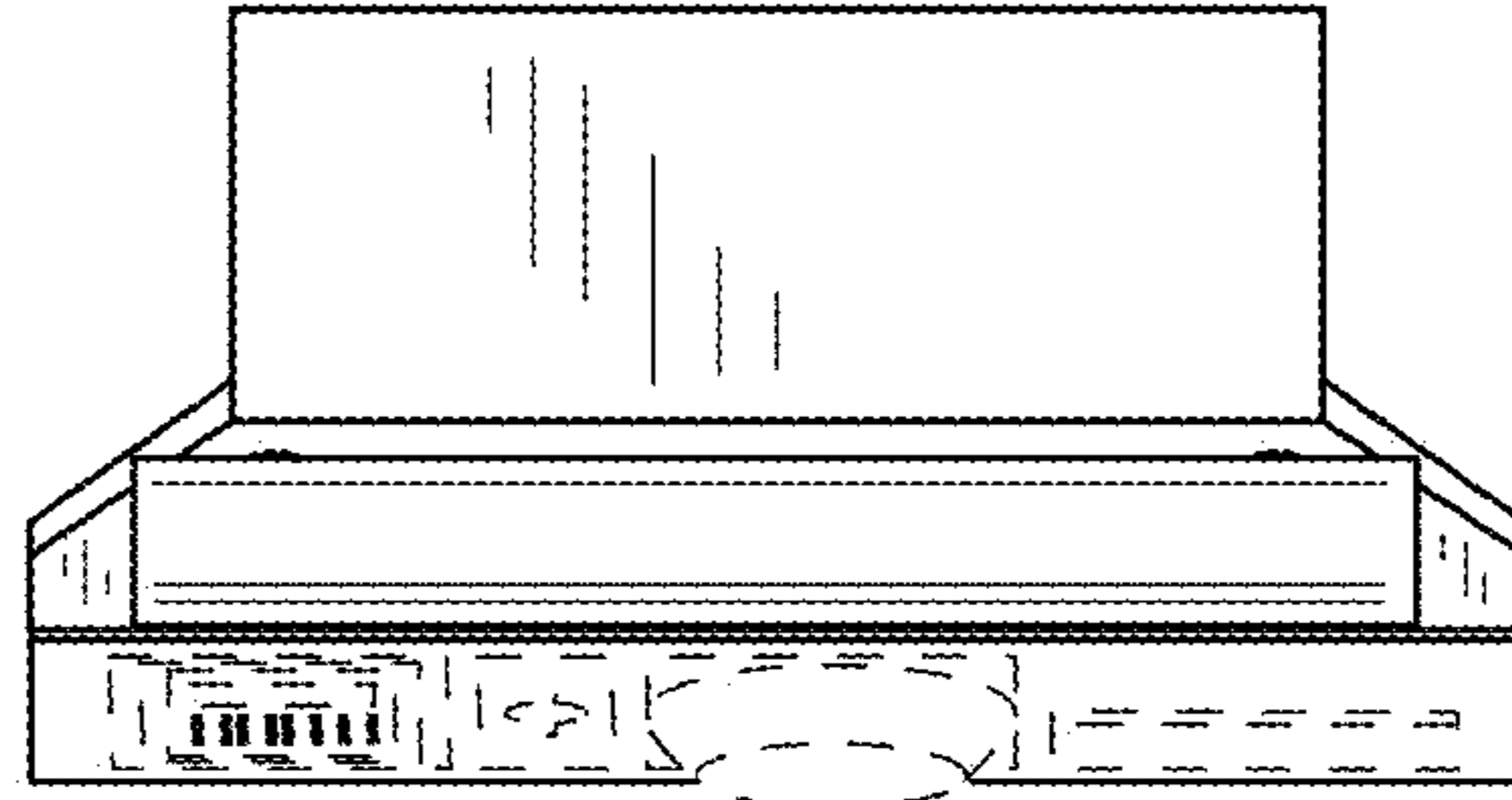


FIG. 27

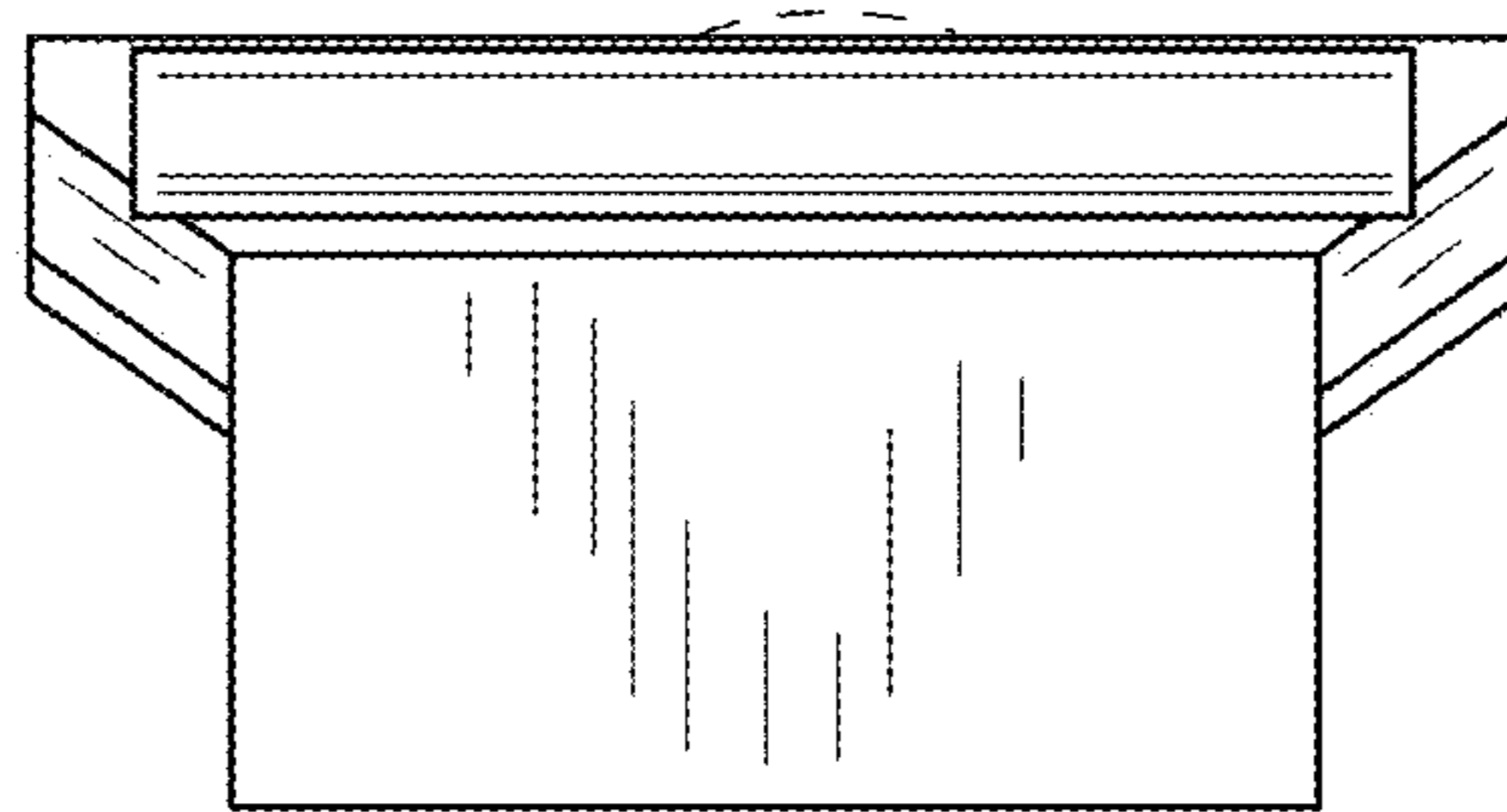


FIG. 28