



US00D765651S

(12) **United States Design Patent**  
**Liu et al.**

(10) **Patent No.:** **US D765,651 S**

(45) **Date of Patent:** **\*\* Sep. 6, 2016**

(54) **ADJUSTABLE PORTABLE DEVICE HOLDER**

(71) Applicants: **Zhigang Liu**, Shenzhen (CN);  
**Chenjuan Hu**, Shenzhen (CN)

(72) Inventors: **Zhigang Liu**, Shenzhen (CN);  
**Chenjuan Hu**, Shenzhen (CN)

(\*\*) Term: **15 Years**

(21) Appl. No.: **29/544,762**

(22) Filed: **Nov. 5, 2015**

(51) **LOC (10) Cl.** ..... **14-03**

(52) **U.S. Cl.**  
USPC ..... **D14/253**; D14/447

(58) **Field of Classification Search**  
USPC ..... D14/253, 251, 252, 447, 451, 452, 440,  
D14/434, 458, 432, 439, 457, 460, 238.1,  
D14/140, 142, 149, 217, 148, 140.8, 140.11,  
D14/209.1, 151, 140.9, 250, 238; D13/107,  
D13/108; D12/415, 223, 114, 420, 417,  
D12/407, 177; D3/218; D16/242–245, 250,  
D16/237, 203, 214, 219; D6/675, 672, 673,  
D6/675.4, 553, 676, 310, 406.3, 406.4,  
D6/406.5, 406.6, 407, 567, 300, 682.3;  
248/459, 460; 224/483  
CPC ..... B60R 2011/0008; B60R 11/02; B60R  
11/0241; B60R 11/0258; B60R 11/0252;  
B60R 2011/0294; F16M 11/00; F16M 11/04;  
F16M 11/041; F16M 11/02; F16M 11/06;  
F16M 13/00; H04M 1/02; H04M 1/04;  
H04M 1/11; H04M 1/12; A47F 7/022;  
B62J 11/00; H05K 7/00; G03B 17/56  
See application file for complete search history.

(56) **References Cited**

**U.S. PATENT DOCUMENTS**

D690,707 S \* 10/2013 Minn ..... D14/447  
D696,241 S \* 12/2013 Paugh ..... D14/253  
D716,215 S \* 10/2014 Dunn ..... D12/415  
D720,759 S \* 1/2015 Deng ..... D14/447

D726,175 S \* 4/2015 Tsai ..... D12/415  
D733,115 S \* 6/2015 Aspinall ..... D14/253  
D750,612 S \* 3/2016 Chen ..... D14/253

(Continued)

*Primary Examiner* — Susan Bennett Hattan

*Assistant Examiner* — Janice Hallmark

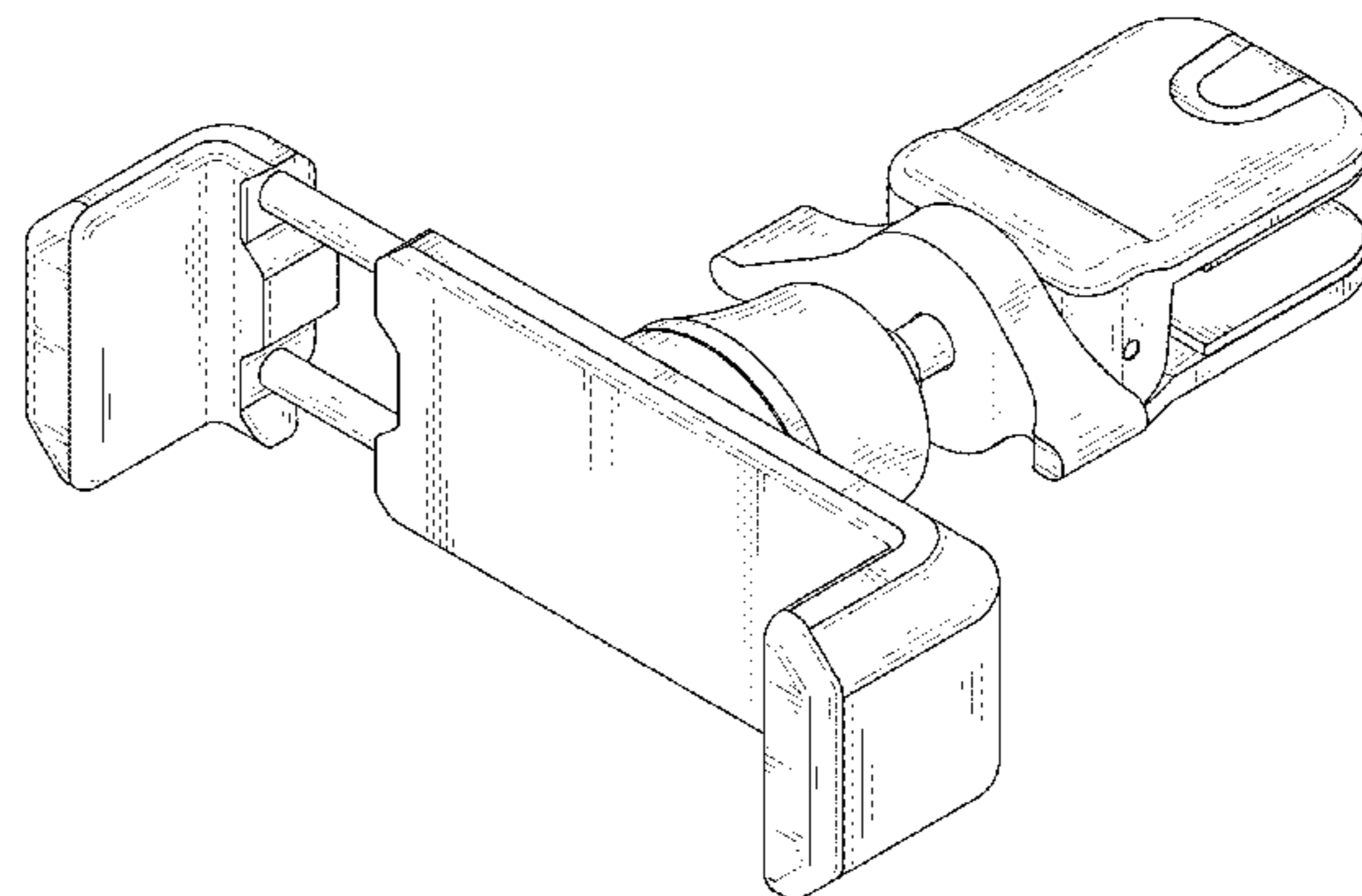
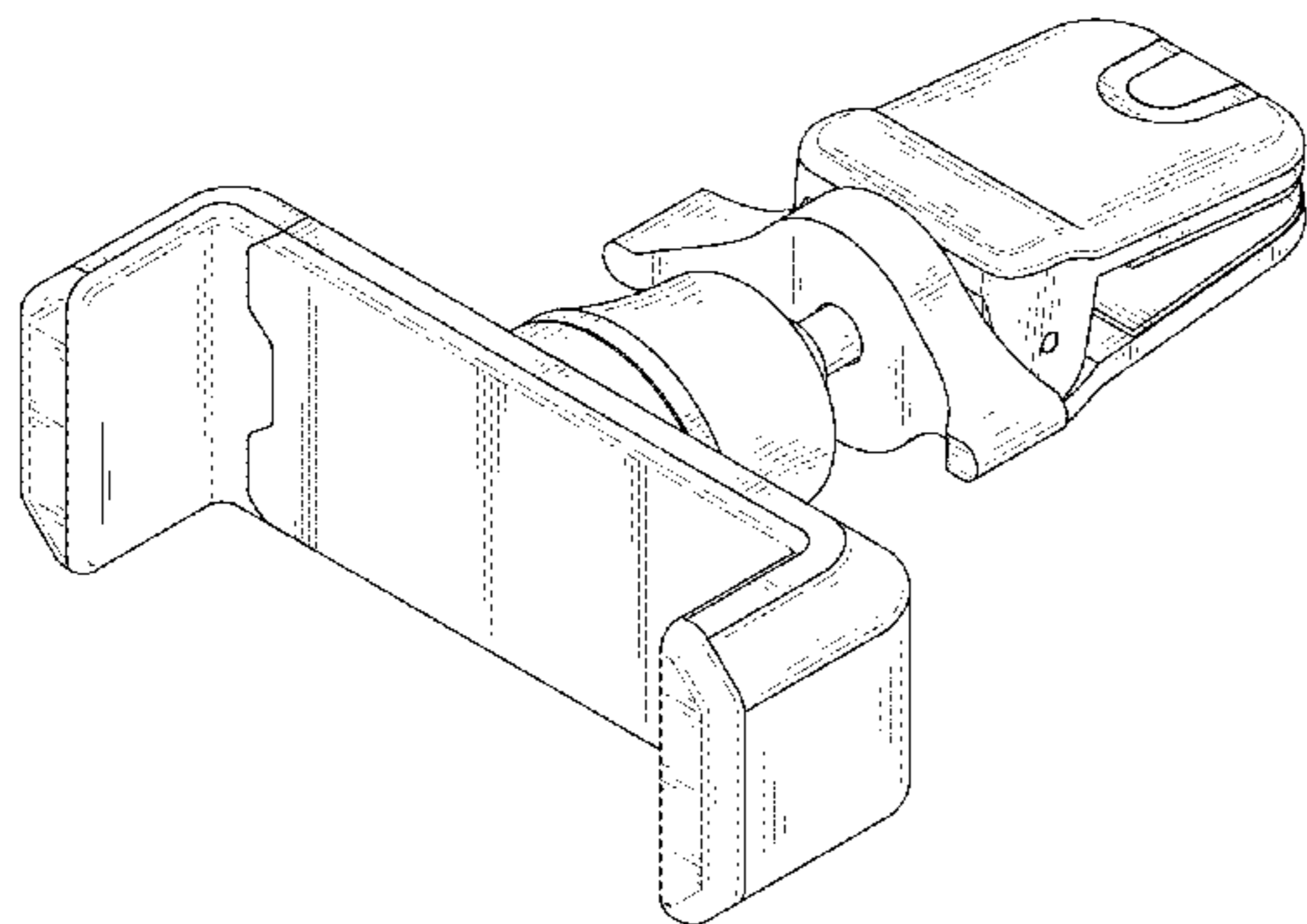
(57) **CLAIM**

We claimed the new ornamental design for an adjustable portable device holder, as shown and described.

**DESCRIPTION**

FIG. 1 is a perspective view of the adjustable portable device holder in a retracted setting;  
FIG. 2 is a front elevational view of the adjustable portable device holder in a retracted setting;  
FIG. 3 is a rear elevational view of the adjustable portable device holder in a retracted setting;  
FIG. 4 is a left side elevational view of the adjustable portable device holder in a retracted setting;  
FIG. 5 is a right side elevational view of the adjustable portable device holder in a retracted setting;  
FIG. 6 is a top plan view of the adjustable portable device holder in a retracted setting;  
FIG. 7 is a bottom plan view of the adjustable portable device holder in a retracted setting;  
FIG. 8 is a perspective view of the adjustable portable device holder in an expanded setting;  
FIG. 9 is a front elevational view of the adjustable portable device holder in an expanded setting;  
FIG. 10 is a rear elevational view of the adjustable portable device holder in an expanded setting;  
FIG. 11 is a left side elevational view of the adjustable portable device holder in an expanded setting;  
FIG. 12 is a right side elevational view of the adjustable portable device holder in an expanded setting;  
FIG. 13 is a top plan view of the adjustable portable device holder in an expanded setting; and,  
FIG. 14 is a bottom plan view of the adjustable portable device holder in an expanded setting.

**1 Claim, 14 Drawing Sheets**



# US D765,651 S

Page 2

---

(56)

## References Cited

### U.S. PATENT DOCUMENTS

D753,643 S *	4/2016	Kim .....	D14/253	2014/0103087 A1*	4/2014	Fan .....	B60R 11/02 224/544
D756,987 S *	5/2016	Taing .....	D14/253	2014/0138419 A1*	5/2014	Minn .....	B60R 11/0241 224/567
2011/0163143 A1*	7/2011	Zanetti .....	B60R 11/02 224/567	2015/0028075 A1*	1/2015	Khatchatrian .....	B60R 11/02 224/483

\* cited by examiner

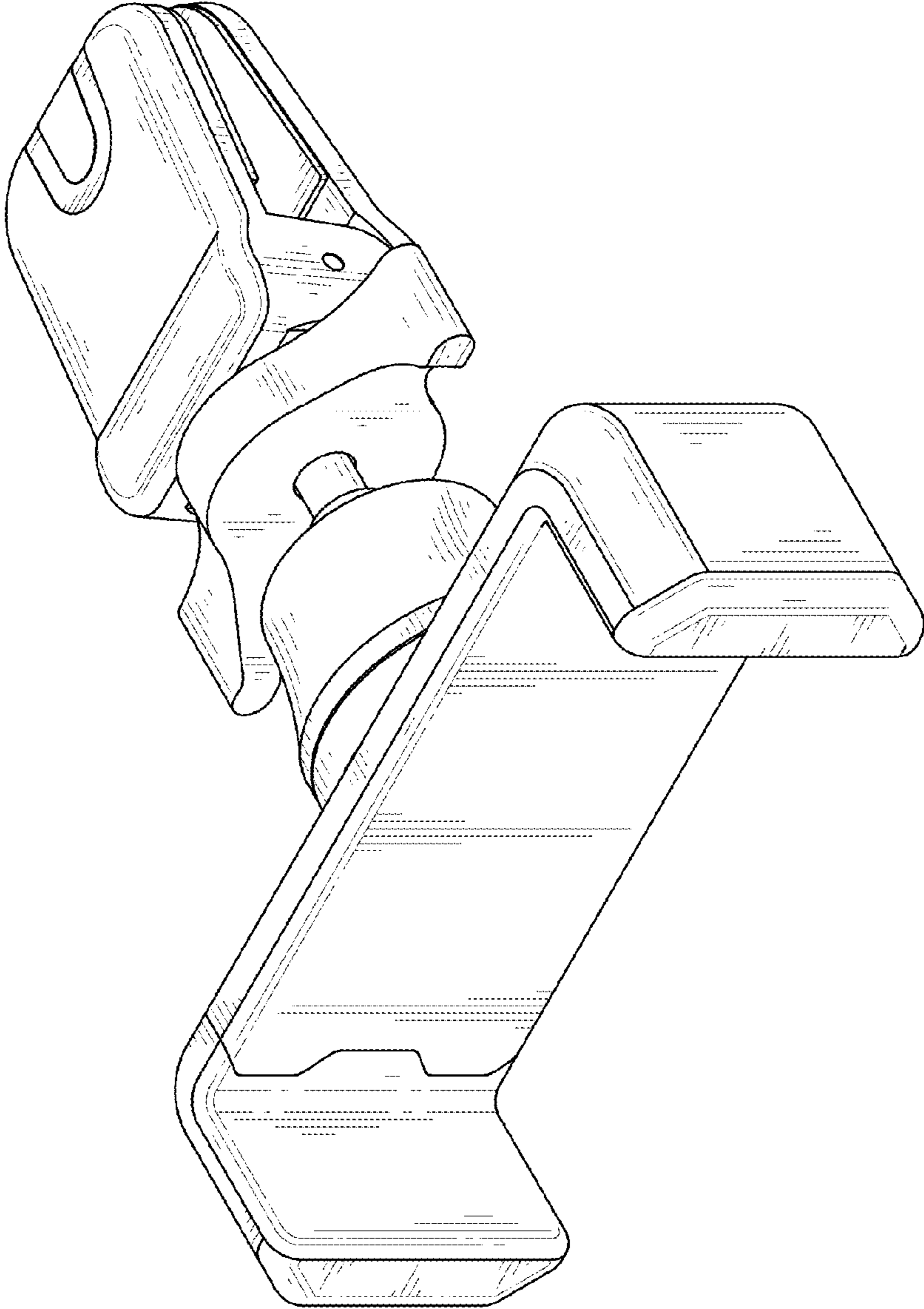


FIG. 1

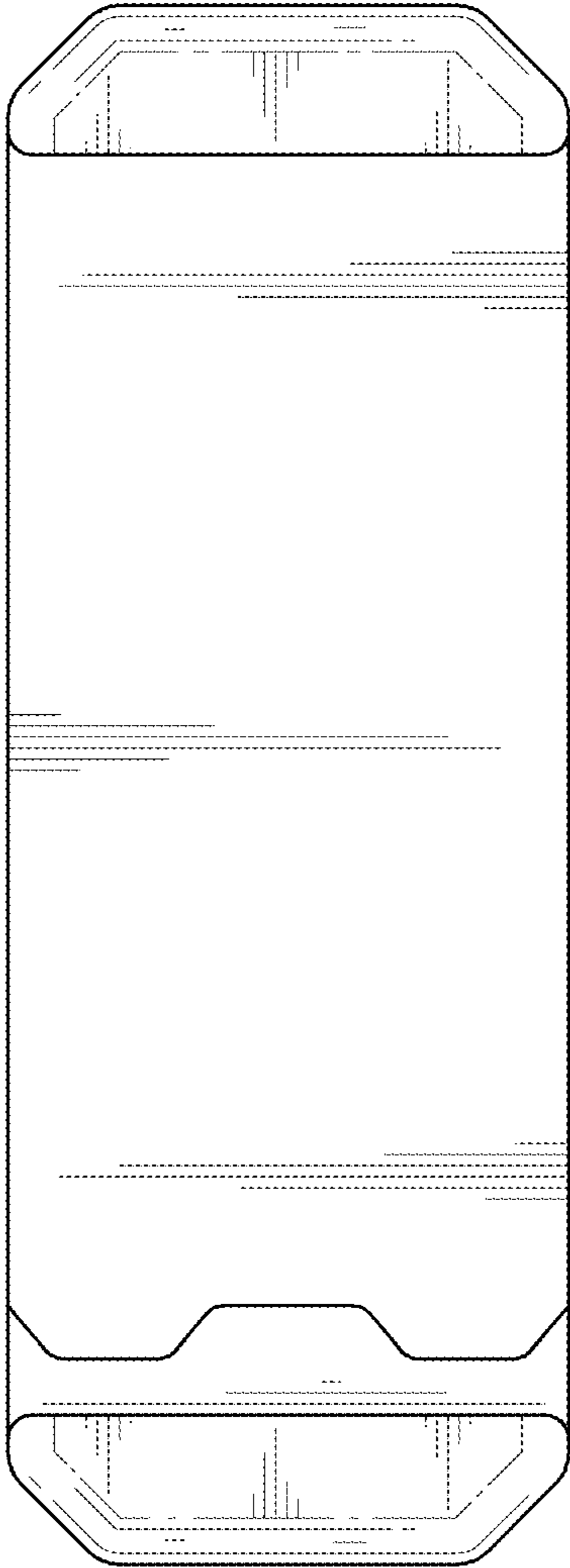


FIG. 2

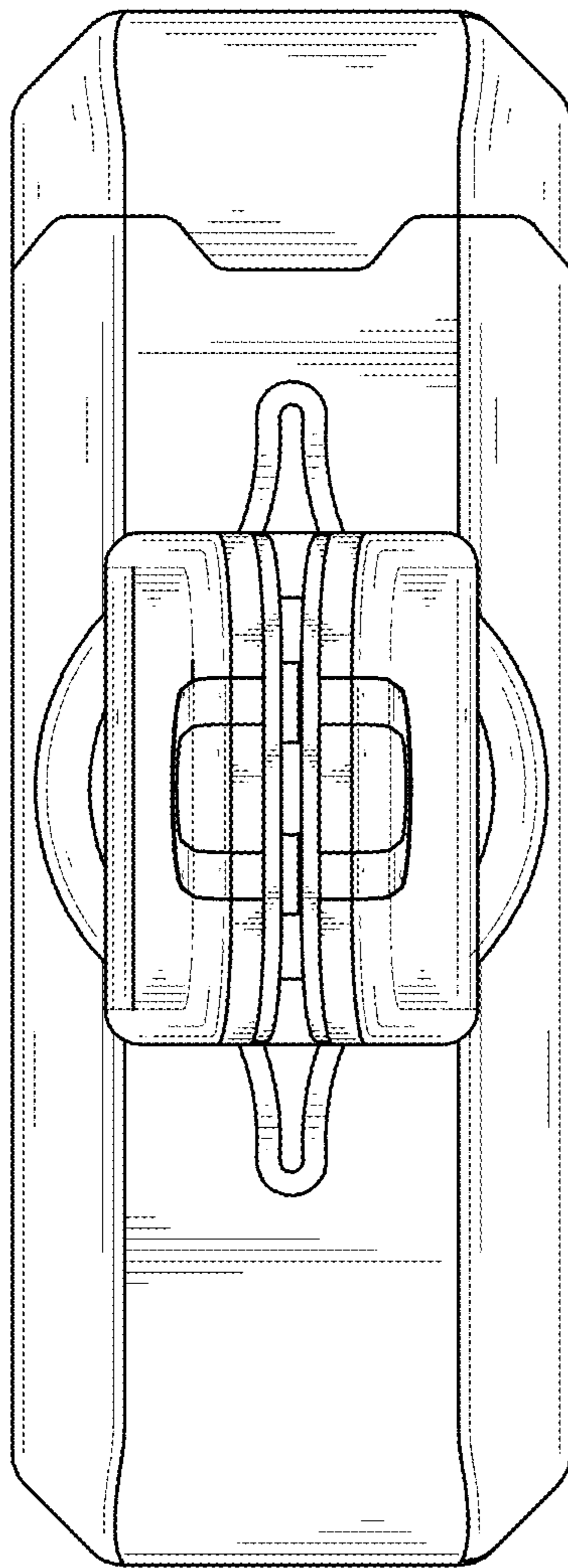


FIG. 3

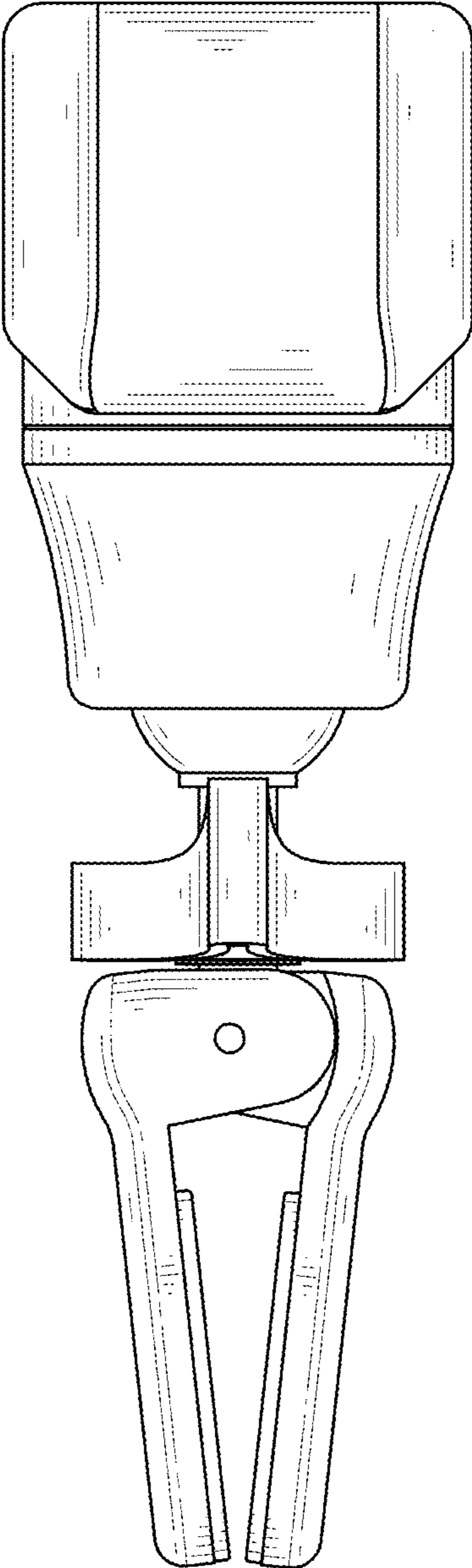


FIG. 4

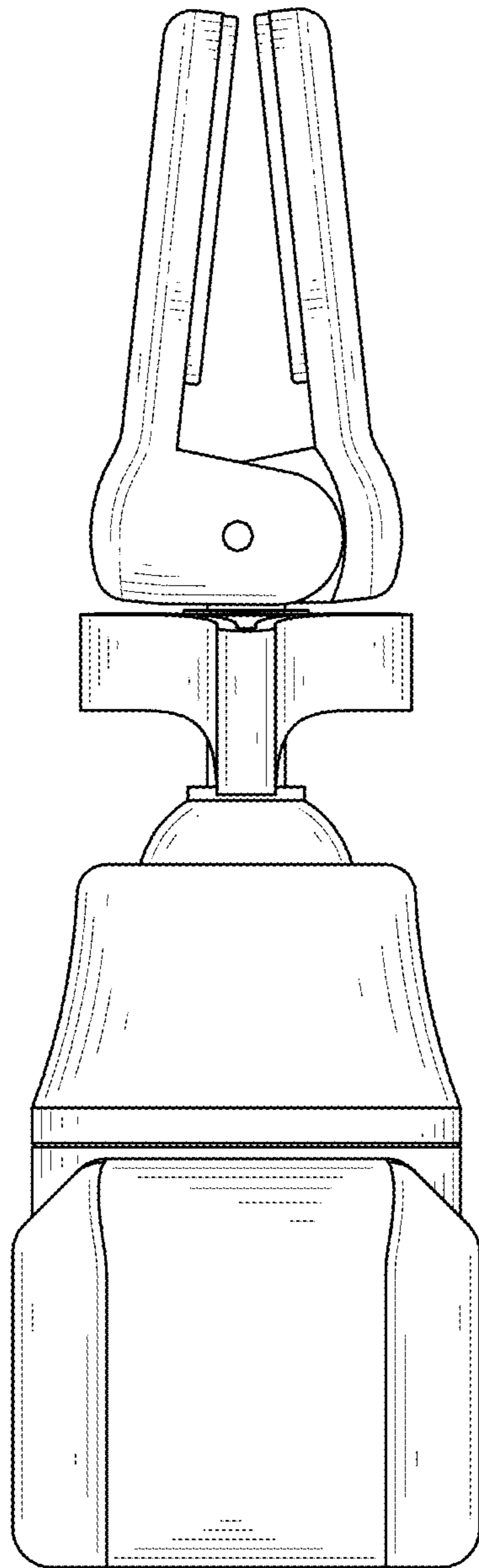


FIG. 5

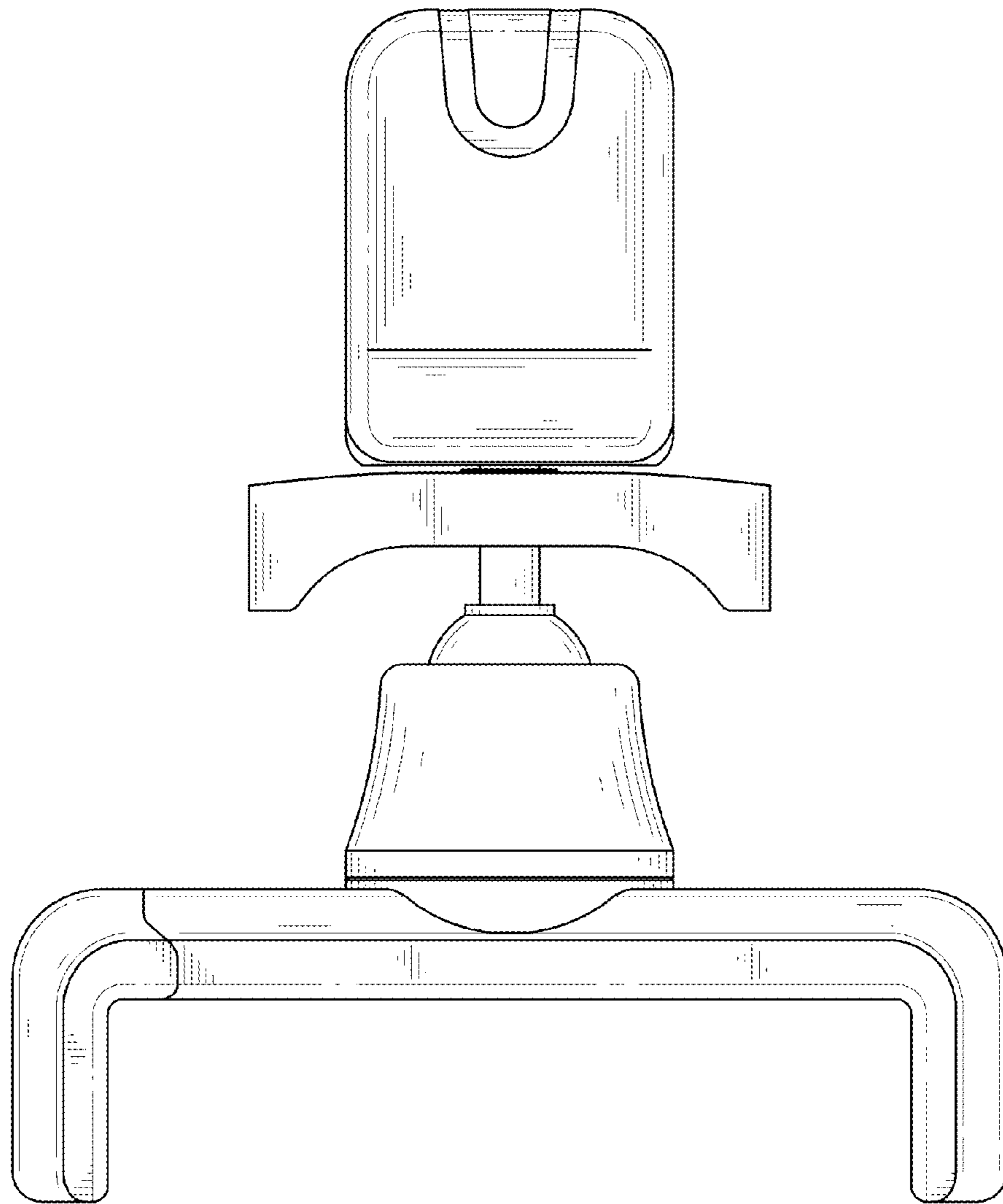


FIG. 6



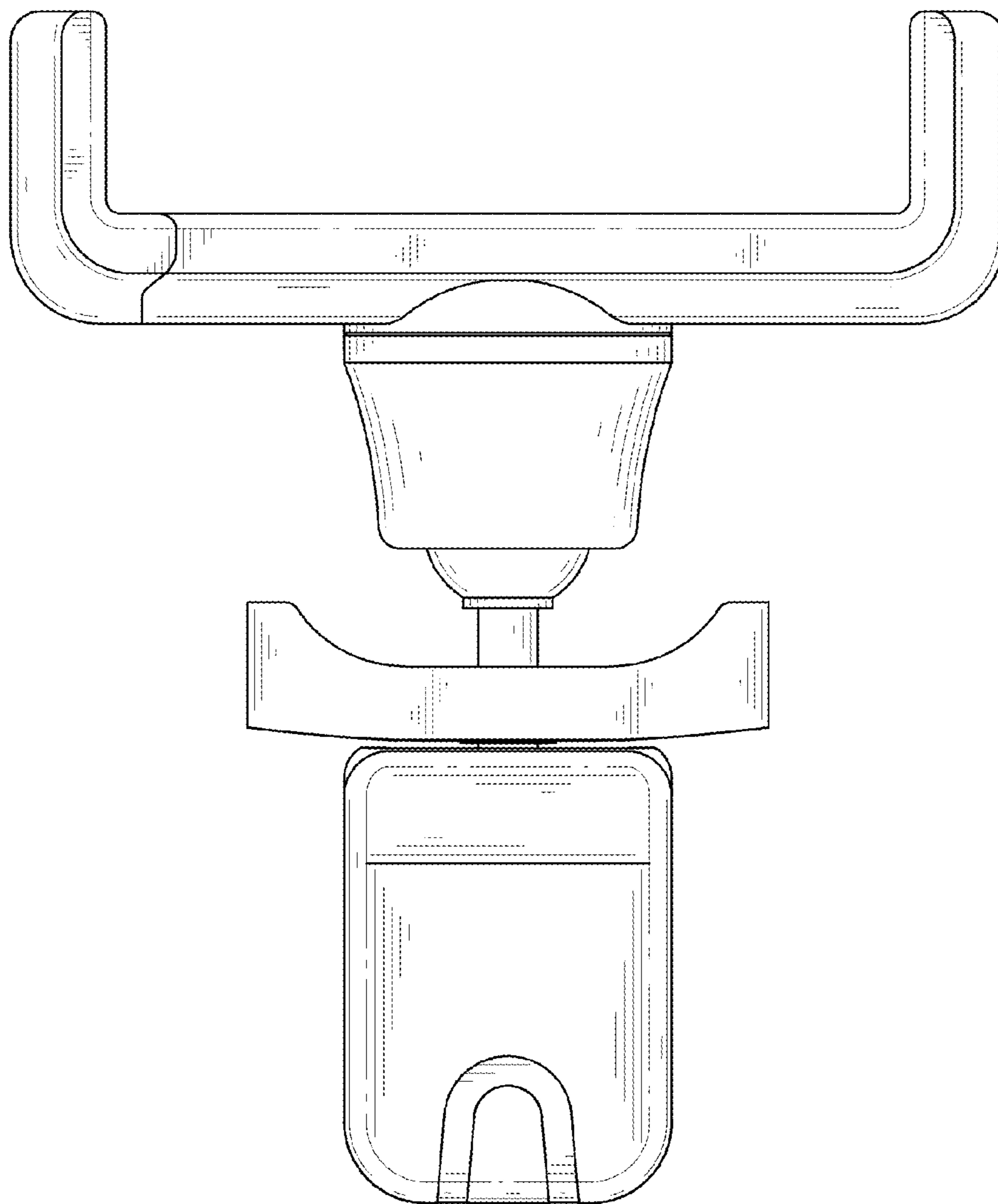


FIG. 7

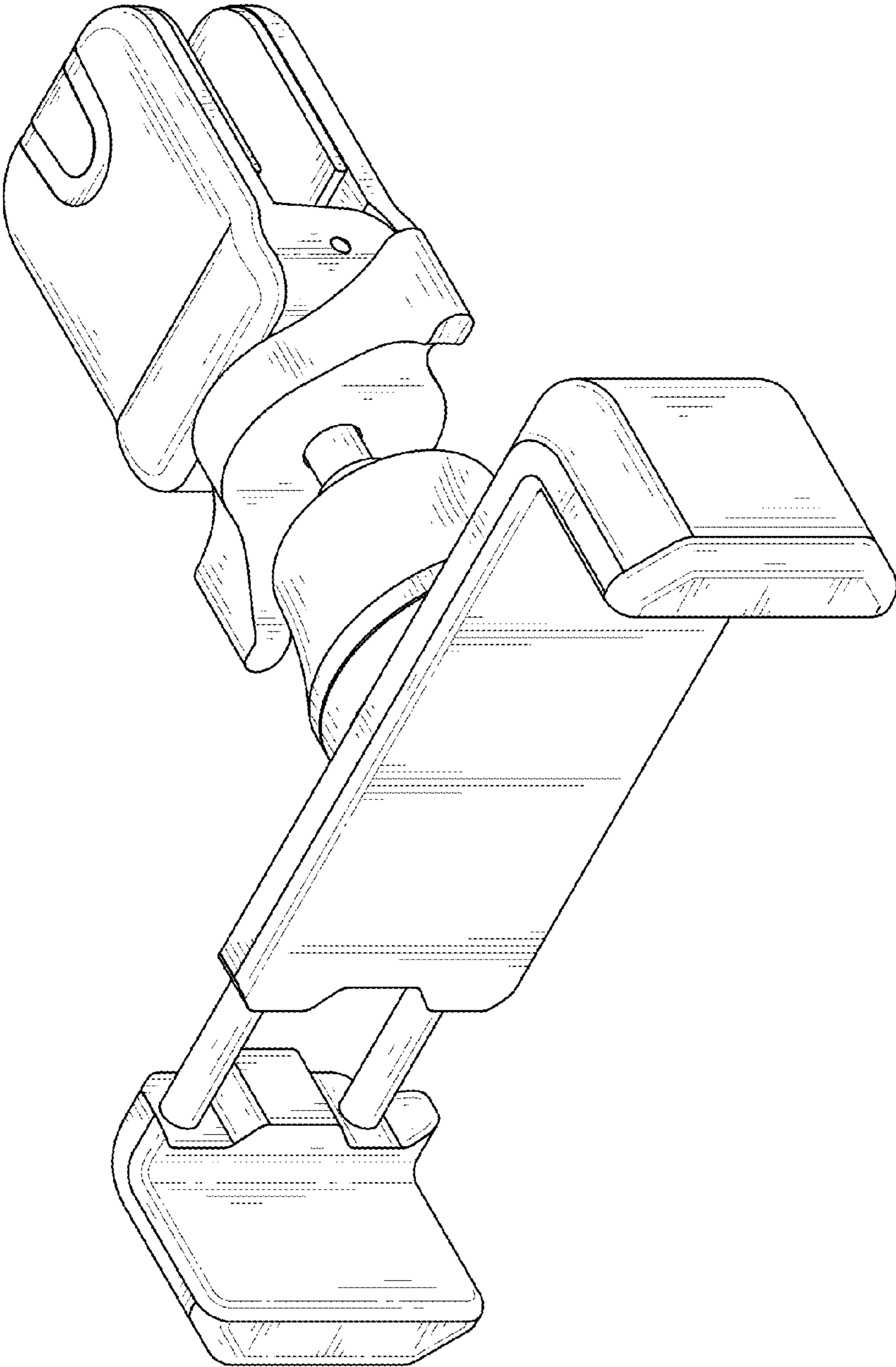


FIG. 8

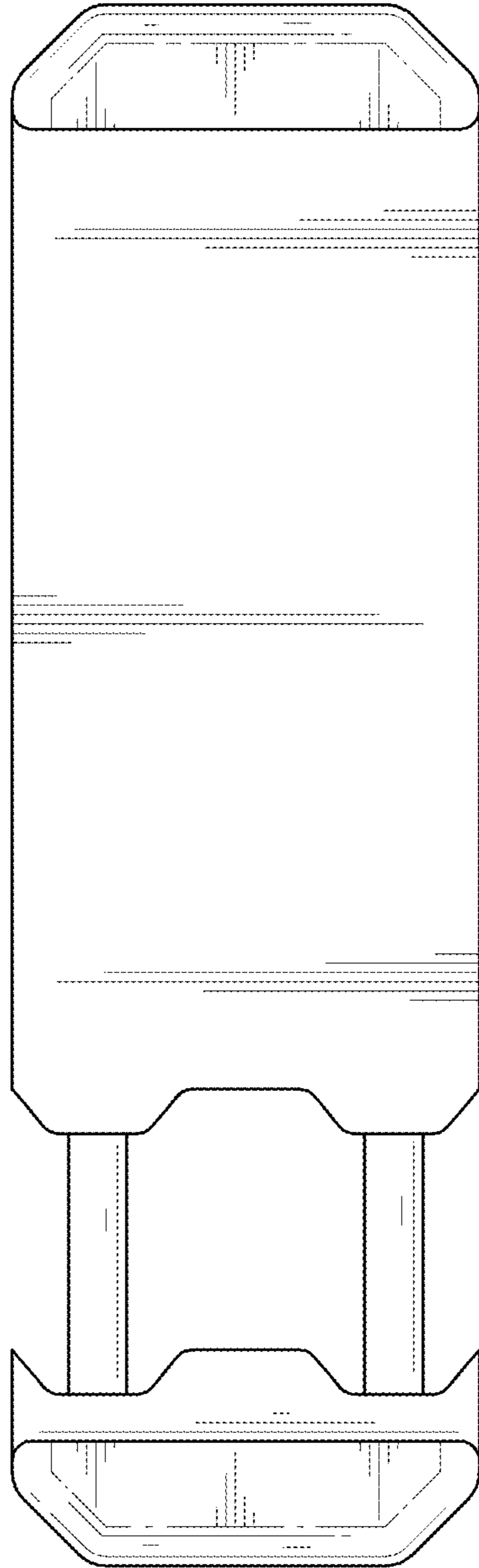


FIG. 9

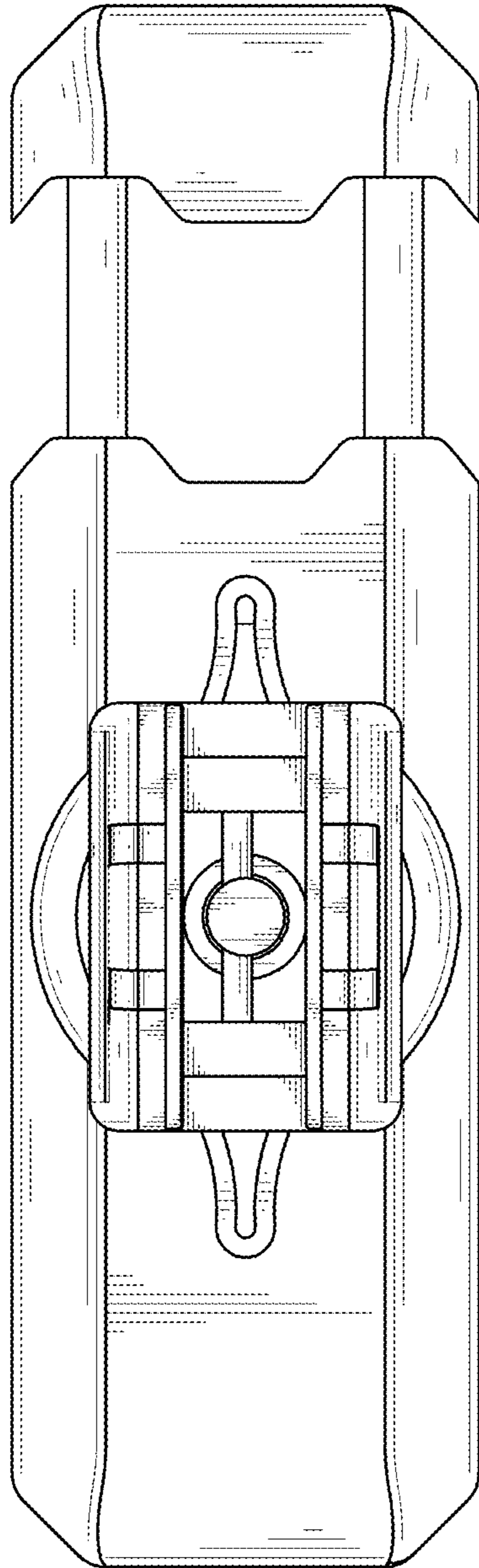


FIG. 10

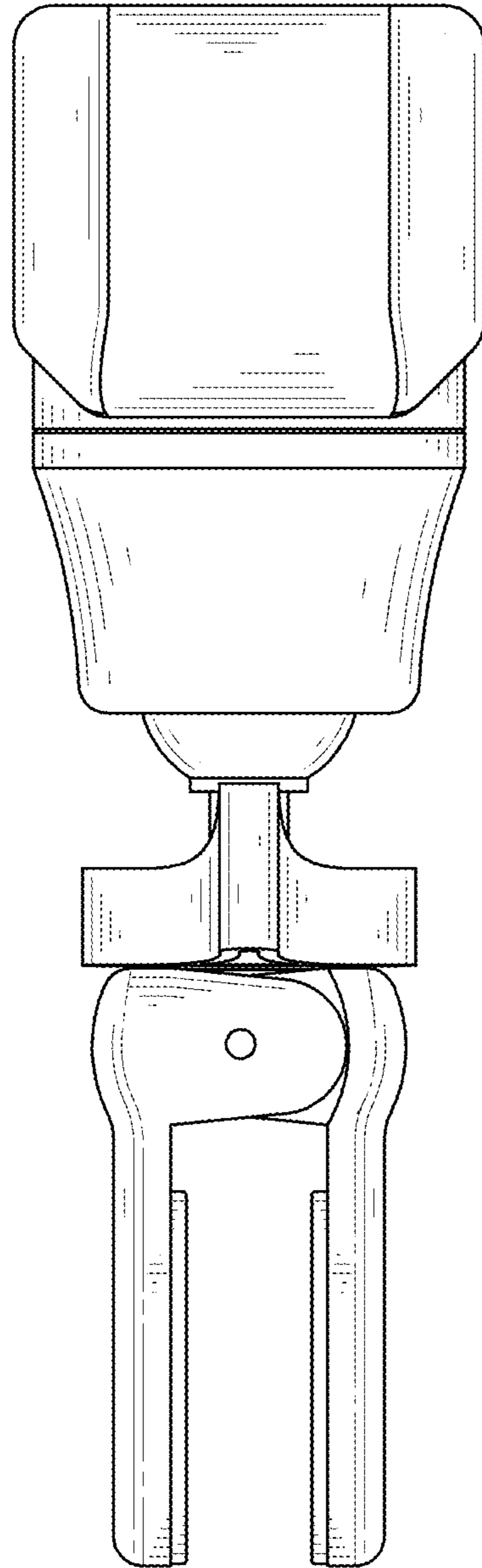


FIG. 11

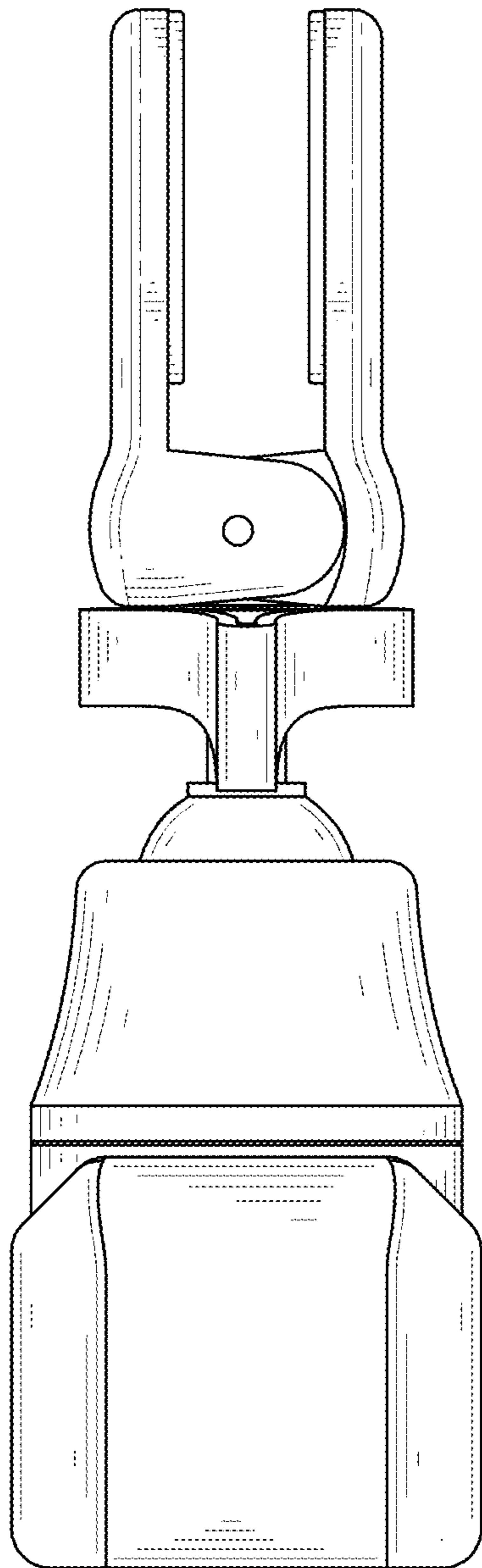


FIG. 12

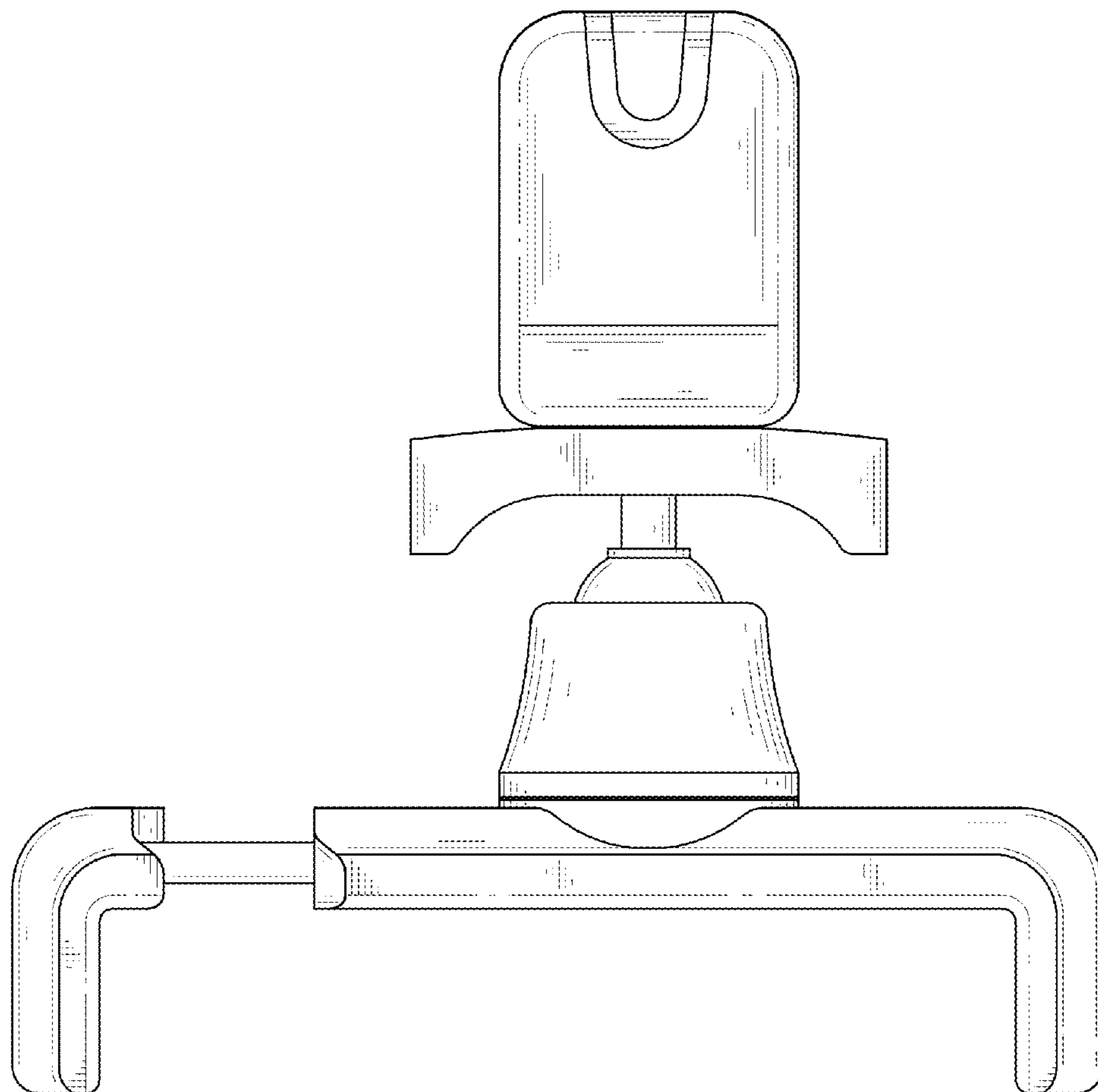


FIG. 13

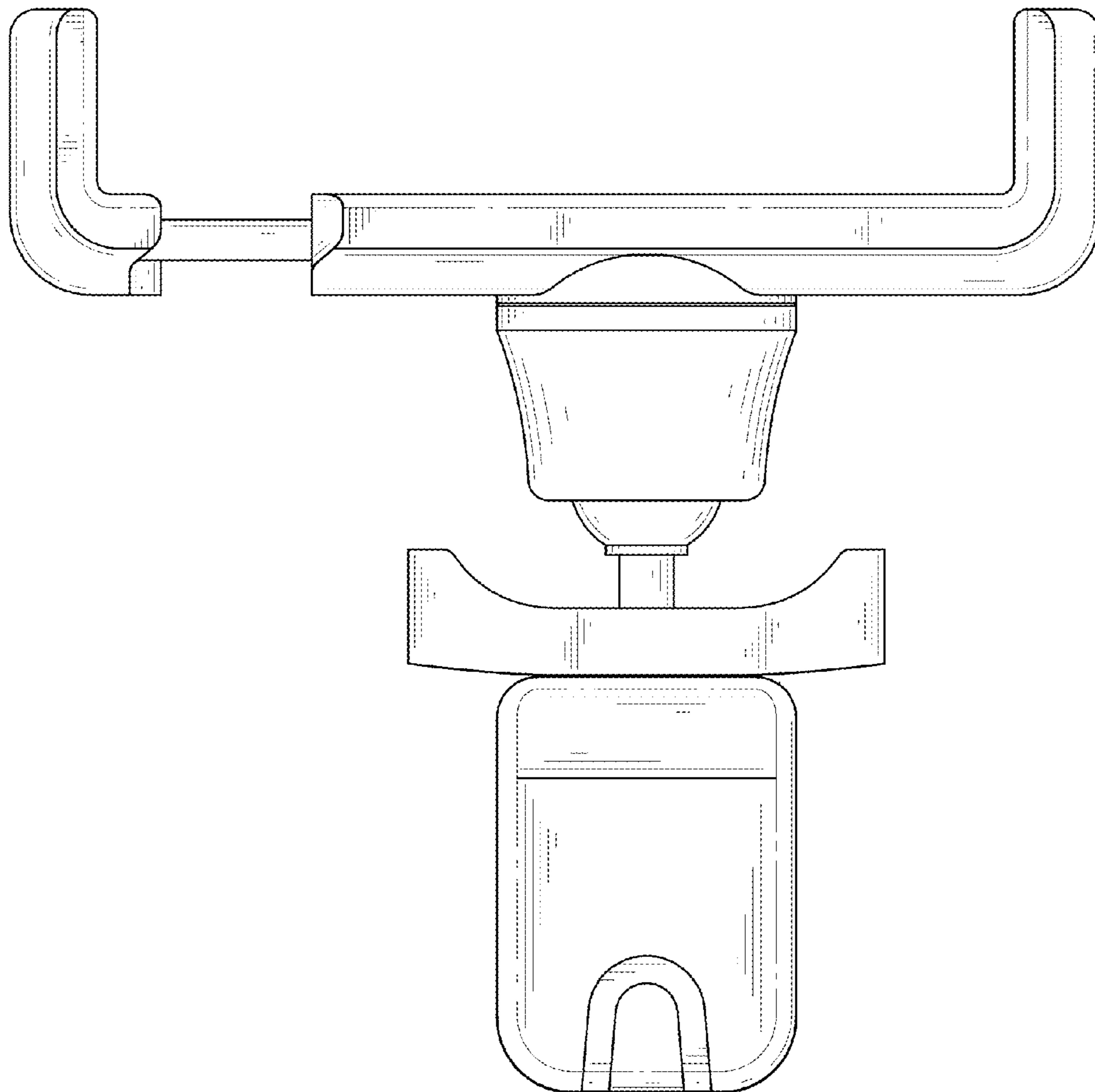


FIG. 14