



US00D765650S

(12) **United States Design Patent**
Huang

(10) **Patent No.:** **US D765,650 S**
(45) **Date of Patent:** **** Sep. 6, 2016**

(54) **HOLDER FOR PORTABLE ELECTRONIC DEVICE**

(71) Applicant: **CYBER POWER SYSTEMS, INC.,**
Taipei (TW)

(72) Inventor: **Chung-Ta Huang,** Taipei (TW)

(73) Assignee: **CYBER POWER SYSTEMS, INC.,**
Taipei (TW)

(**) Term: **15 Years**

(21) Appl. No.: **29/540,607**

(22) Filed: **Sep. 25, 2015**

(51) **LOC (10) Cl.** **14-03**

(52) **U.S. Cl.**
USPC **D14/253; D16/244**

(58) **Field of Classification Search**
USPC D14/253, 251, 252, 447, 451, 452, 440,
D14/434, 458, 432, 439, 457, 460, 238.1,
D14/140, 142, 149, 217, 148, 140.8, 140.11,
D14/209.1, 151, 140.9, 250, 238; D13/107,
D13/108; D12/415, 223, 114, 420, 417,
D12/407, 177; D3/218; D16/242-245, 250,
D16/237, 203, 214, 219; D8/349; D6/675,
D6/672, 673, 675.4, 553, 676, 310, 406.3,
D6/406.4, 406.5, 406.6, 407, 567, 300,
D6/682.3, 396; 248/459, 460; 224/483
CPC B60R 2011/0008; B60R 11/02; B60R
11/0241; B60R 11/0258; B60R 11/0252;
B60R 2011/0294; F16M 11/00; F16M 11/04;
F16M 11/041; F16M 11/02; F16M 11/06;
F16M 13/00; H04M 1/02; H04M 1/04;
H04M 1/11; H04M 1/12; A47F 7/022;
B62J 11/00; H05K 7/00; G03B 17/56
See application file for complete search history.

(56) **References Cited**

U.S. PATENT DOCUMENTS

D670,284 S * 11/2012 Choi D14/253
D671,110 S * 11/2012 Choi D14/253

D678,387 S * 3/2013 Stump D16/244
D714,775 S * 10/2014 Yoo D14/253
D715,791 S * 10/2014 Yu D14/253
D720,344 S * 12/2014 Yu D14/253
D723,024 S * 2/2015 Yoo D14/253
9,115,740 B2 * 8/2015 Chang F16M 11/041
9,170,473 B1 * 10/2015 Li G03B 17/561
9,332,170 B1 * 5/2016 Khalili H04N 5/2251
2010/0200710 A1 * 8/2010 Shenouda F16M 13/00
248/157
2013/0176412 A1 * 7/2013 Chen H04N 7/183
348/77

* cited by examiner

Primary Examiner — Susan Bennett Hattan

Assistant Examiner — Janice Hallmark

(74) *Attorney, Agent, or Firm* — Bacon & Thomas, PLLC

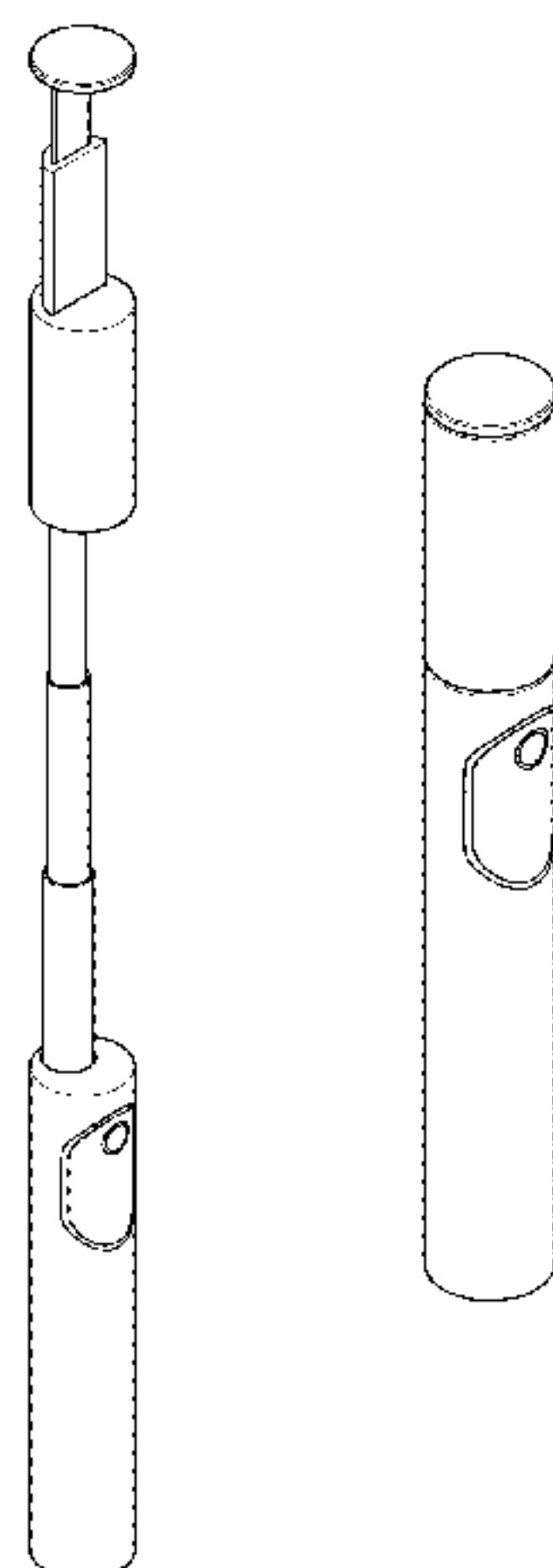
(57) **CLAIM**

The ornamental design for a holder for portable electronic device, as shown and described.

DESCRIPTION

FIG. 1 is a front perspective view of a holder for portable electronic device according to my new design;
FIG. 2 is front view thereof;
FIG. 3 is back view thereof;
FIG. 4 is left side view thereof;
FIG. 5 is right side view thereof;
FIG. 6 is top view thereof;
FIG. 7 is bottom view thereof;
FIG. 8 is a perspective, extension status view in a first used condition;
FIG. 9 is a perspective, shortening status view in a second used condition;
FIG. 10 is a perspective, holding status view in a third used condition;
FIG. 11 is a perspective, holding and rotation status view in a fourth used condition; and,
FIG. 12 is a perspective, holding and rotation status view in a fifth used condition.
The broken lines in the drawing FIGS. 10 through 12 depict a portable electronic device that forms no part of the claimed design.

1 Claim, 11 Drawing Sheets



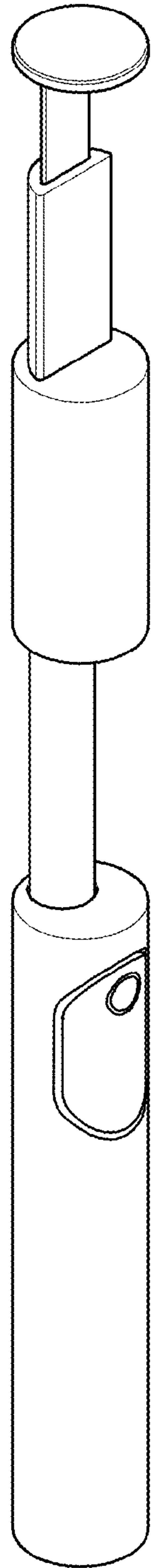


FIG. 1

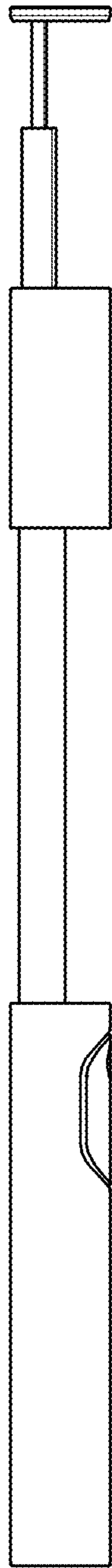


FIG.2

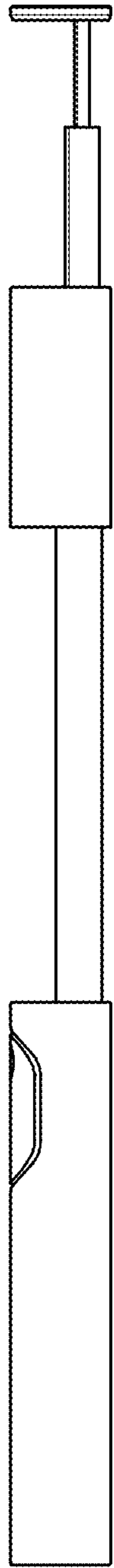


FIG.3

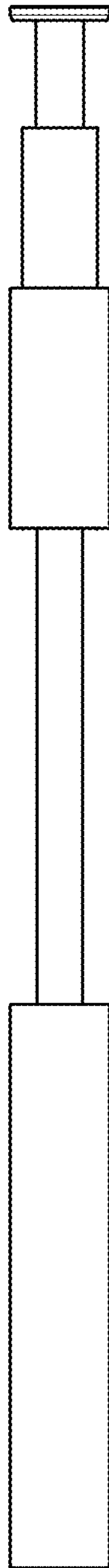


FIG.4

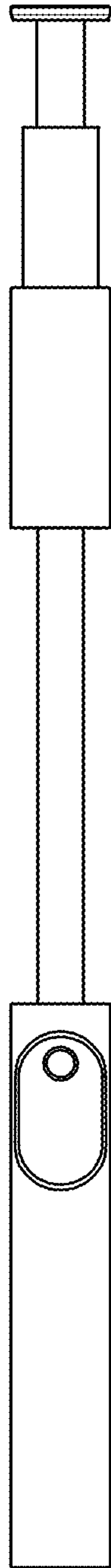


FIG.5

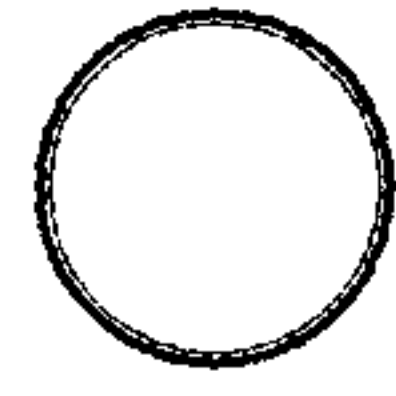


FIG.6

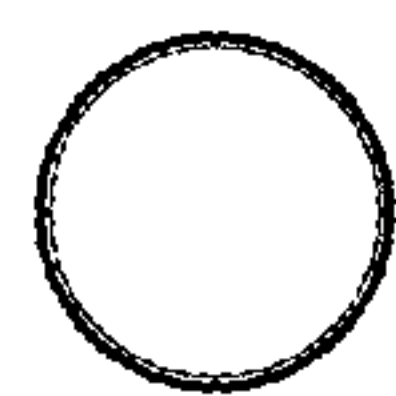


FIG.7

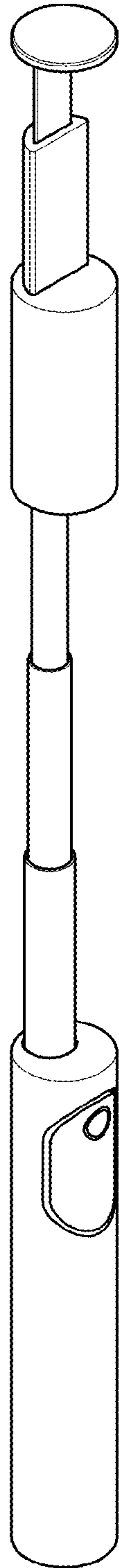


FIG. 8

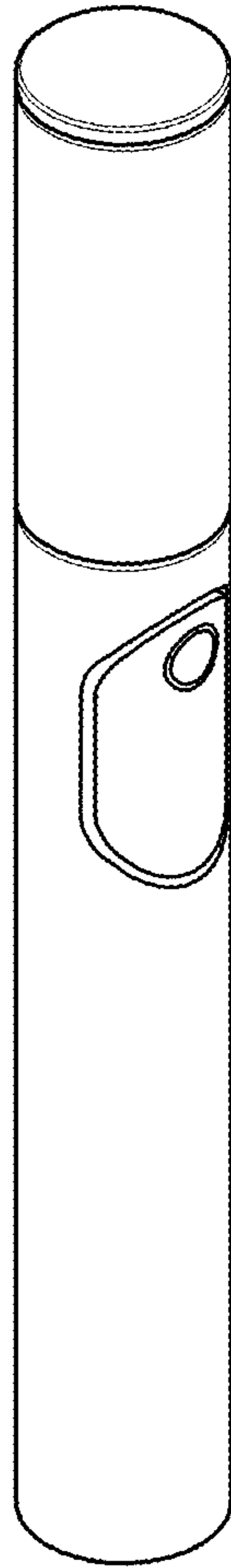


FIG.9

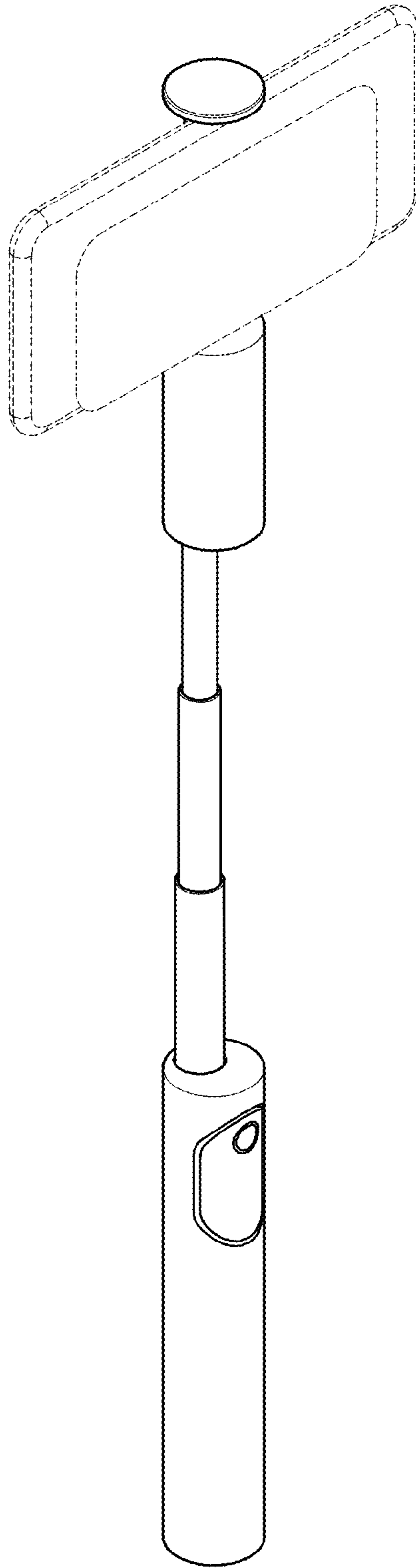


FIG. 10

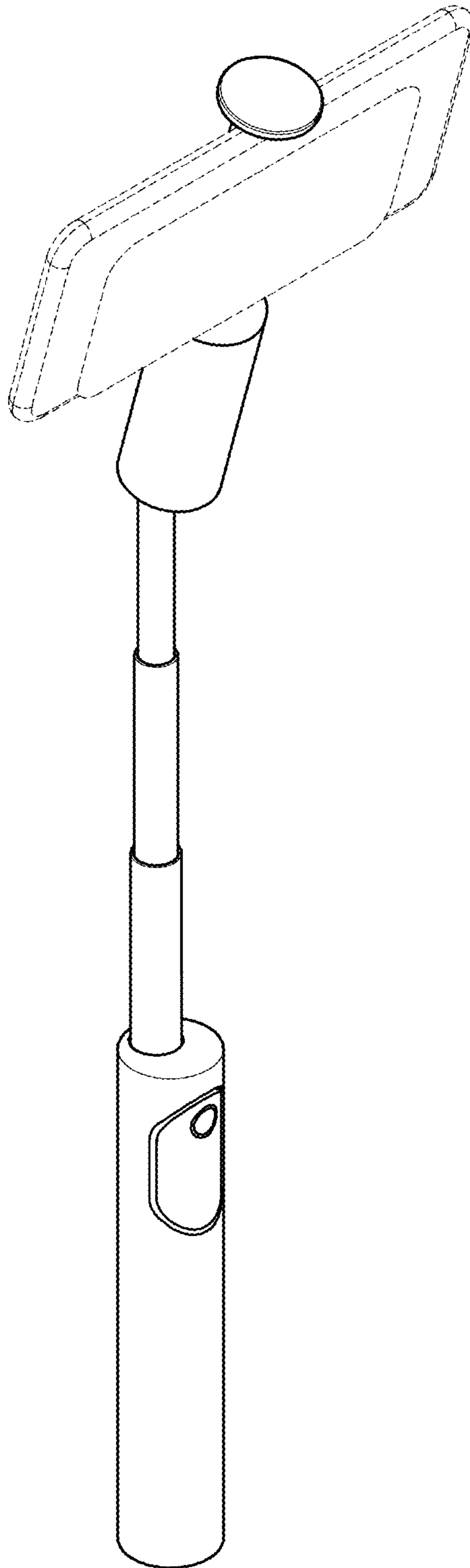


FIG. 11

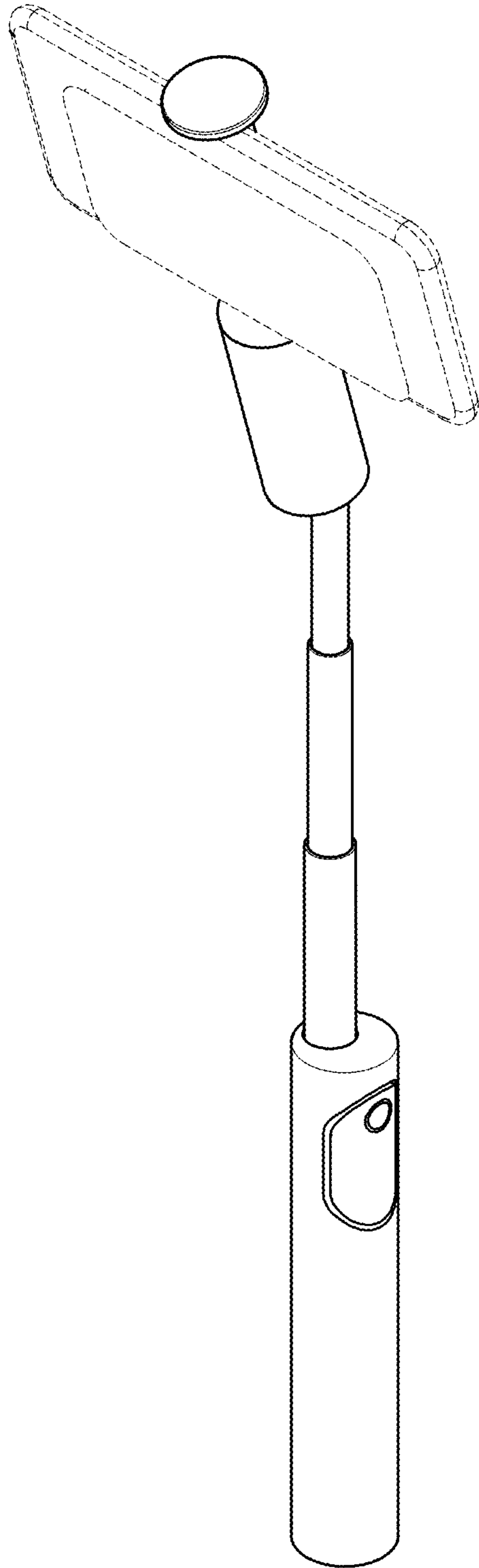


FIG.12