

US00D765648S

(12) **United States Design Patent** (10) **Patent No.:** **US D765,648 S**  
**Starkenburg** (45) **Date of Patent:** **\*\* Sep. 6, 2016**

(54) **PHONE HOLDER ADAPTER**

(71) Applicant: **Wade Eric Starkenburg**, Stanwood, WA (US)

(72) Inventor: **Wade Eric Starkenburg**, Stanwood, WA (US)

(\*\*) Term: **15 Years**

(21) Appl. No.: **29/540,255**

(22) Filed: **Sep. 22, 2015**

(51) **LOC (10) Cl.** ..... **14-03**

(52) **U.S. Cl.**  
USPC ..... **D14/253; D12/415**

(58) **Field of Classification Search**  
USPC ..... D14/253, 251, 252, 447, 451, 452, 440, D14/434, 458, 432, 439, 457, 460, 238.1, D14/140, 142, 149, 217, 148, 140.8, D14/140.11; D13/107, 108; D12/415, 223, D12/114; D3/218; D16/242-245, 250, 237; D6/675, 672, 673, 675.4, 553, 676, 310  
CPC ..... B60R 2011/0008; B60R 11/02; B60R 11/0241; B60R 11/0258; B60R 11/0252; B60R 2011/0294; F16M 11/00; F16M 11/04; F16M 11/041; F16M 11/02; F16M 11/06; H04M 1/02; A41F 7/022; B62J 11/00  
See application file for complete search history.

(56) **References Cited**

**U.S. PATENT DOCUMENTS**

D280,466 S \* 9/1985 Seltzer ..... D12/422  
D426,041 S \* 5/2000 Boghossian ..... D34/6

D590,404 S \* 4/2009 Kim ..... D14/447  
D671,934 S \* 12/2012 Alman ..... D14/253  
D672,341 S \* 12/2012 Mo ..... D14/251  
D688,235 S \* 8/2013 Song ..... D14/253  
D715,284 S \* 10/2014 Iwamoto ..... D12/415  
D727,143 S \* 4/2015 Gomez ..... D14/251  
D729,248 S \* 5/2015 Porter ..... D14/434  
2007/0057004 A1 \* 3/2007 Butler ..... A45C 11/182  
224/669  
2016/0142523 A1 \* 5/2016 Bartkowski ..... F16M 11/22  
248/441.1

\* cited by examiner

*Primary Examiner* — Susan Bennett Hattan

*Assistant Examiner* — Janice Hallmark

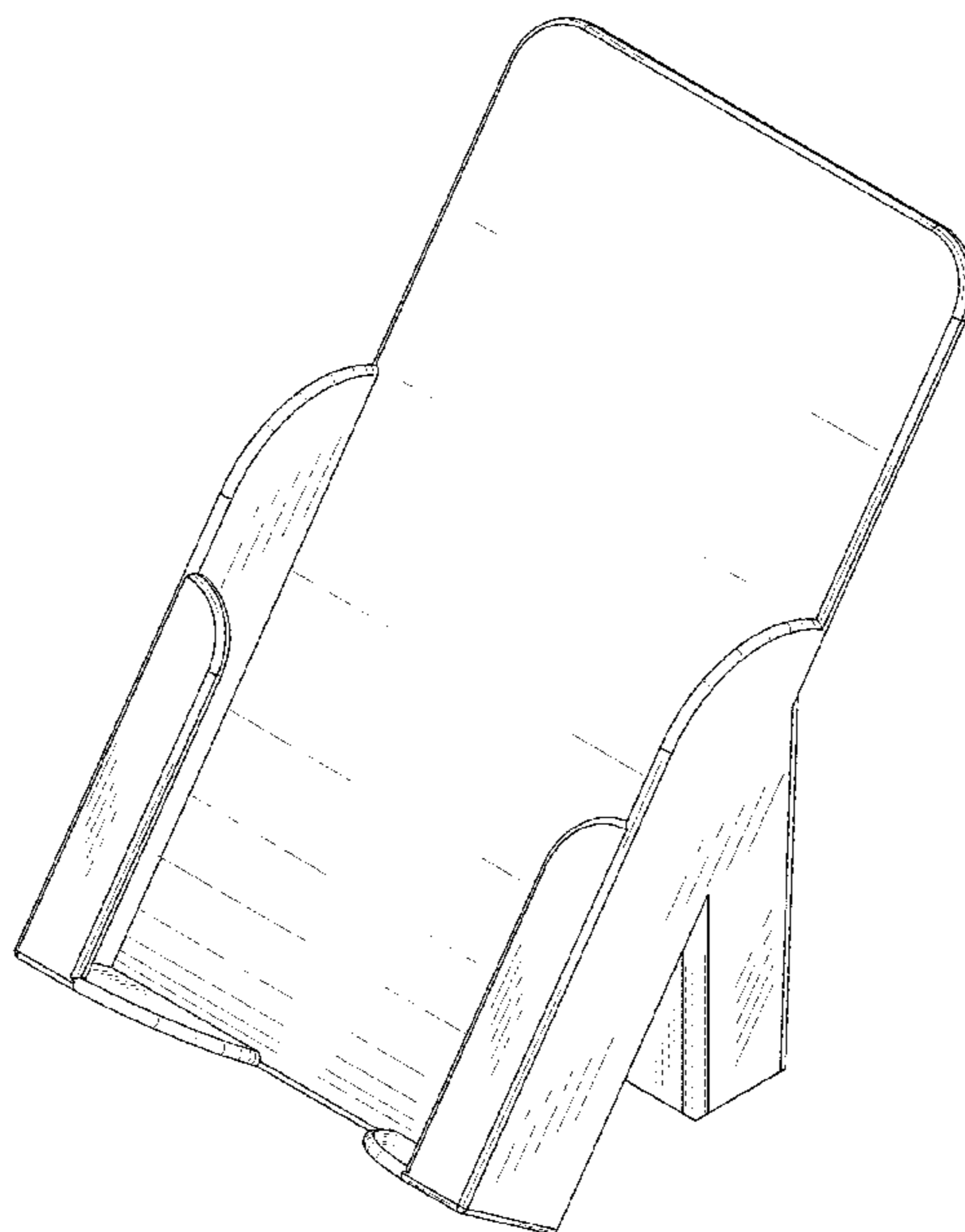
(57) **CLAIM**

The ornamental design for a phone holder adapter, as shown and described.

**DESCRIPTION**

FIG. 1 is a perspective view of a phone holder adapter showing my new design;  
FIG. 2 is a bottom perspective view thereof;  
FIG. 3 is a front elevational view thereof;  
FIG. 4 is a rear elevational view thereof;  
FIG. 5 is a left side elevational view thereof;  
FIG. 6 is a right side elevational view thereof;  
FIG. 7 is a bottom plan view thereof; and,  
FIG. 8 is a top plan view thereof.

**1 Claim, 8 Drawing Sheets**



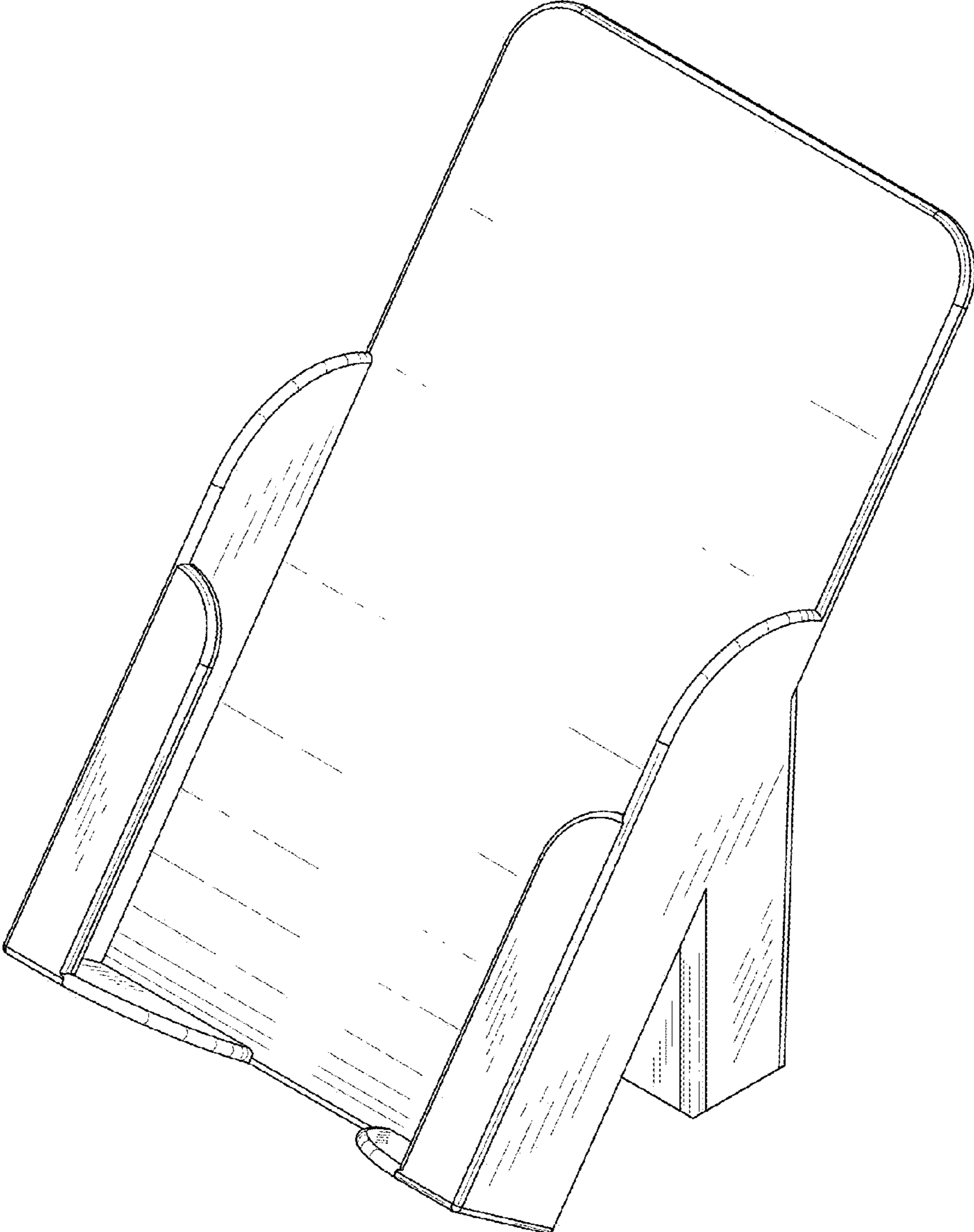


FIG. 1

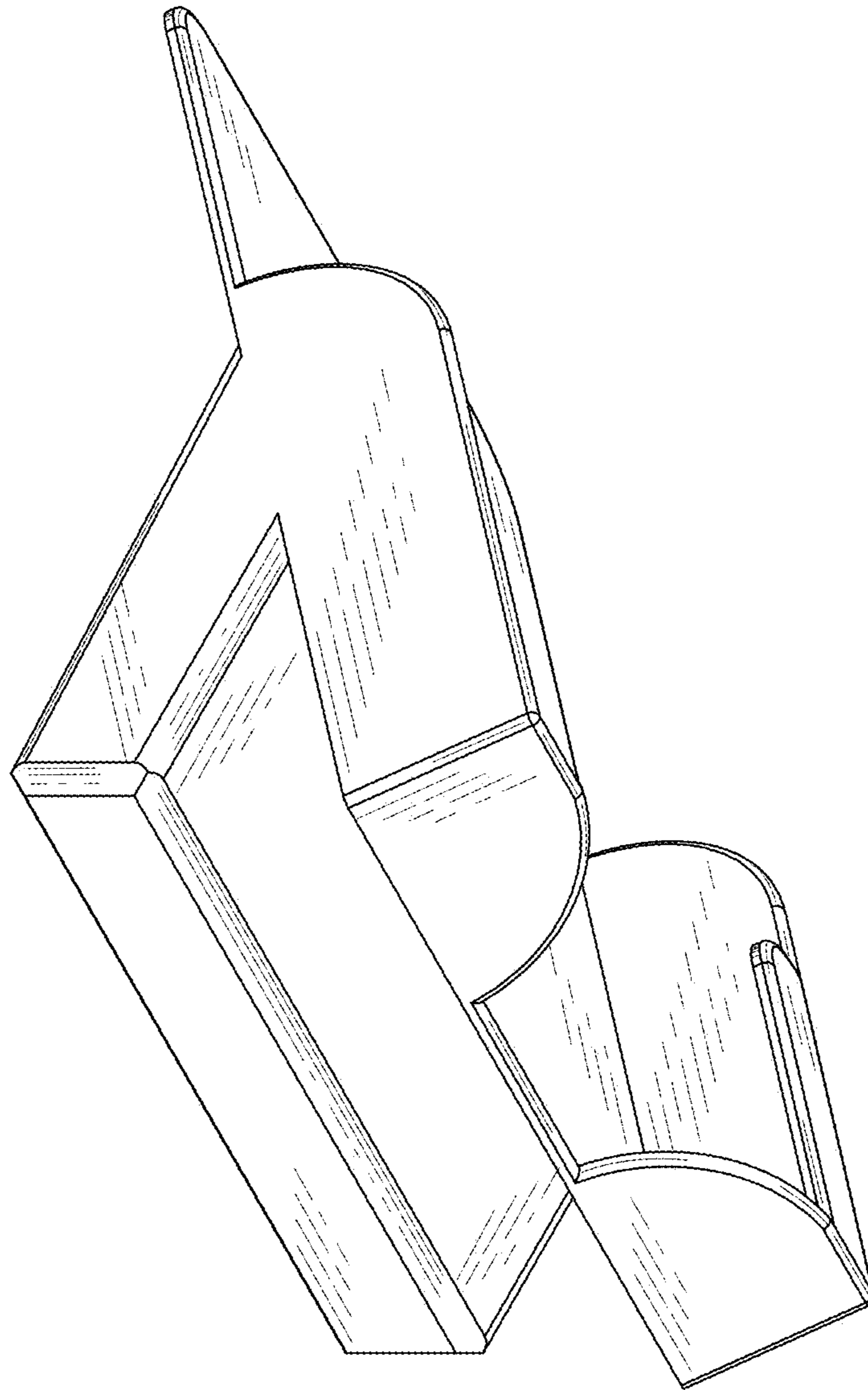


FIG. 2

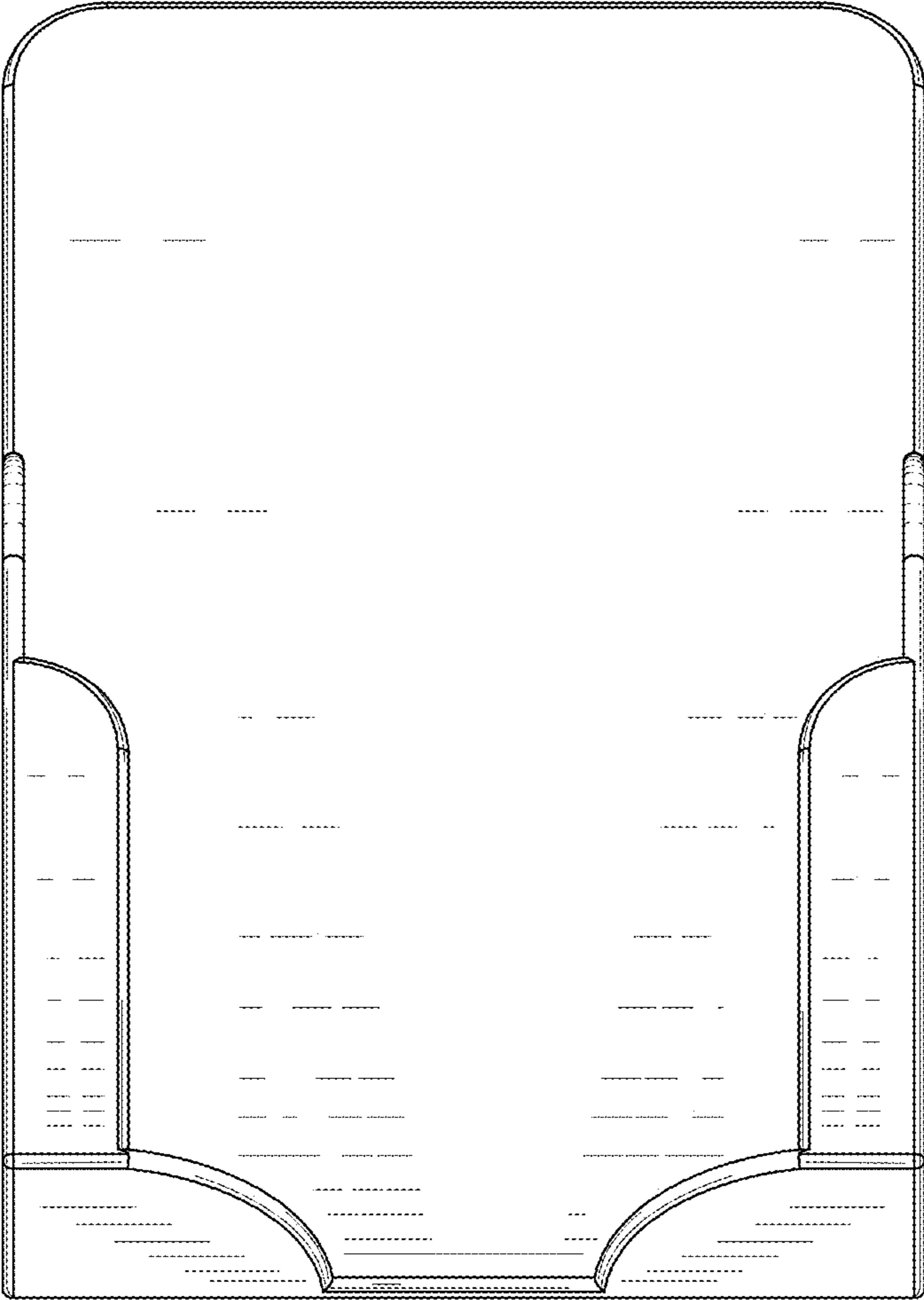


FIG. 3

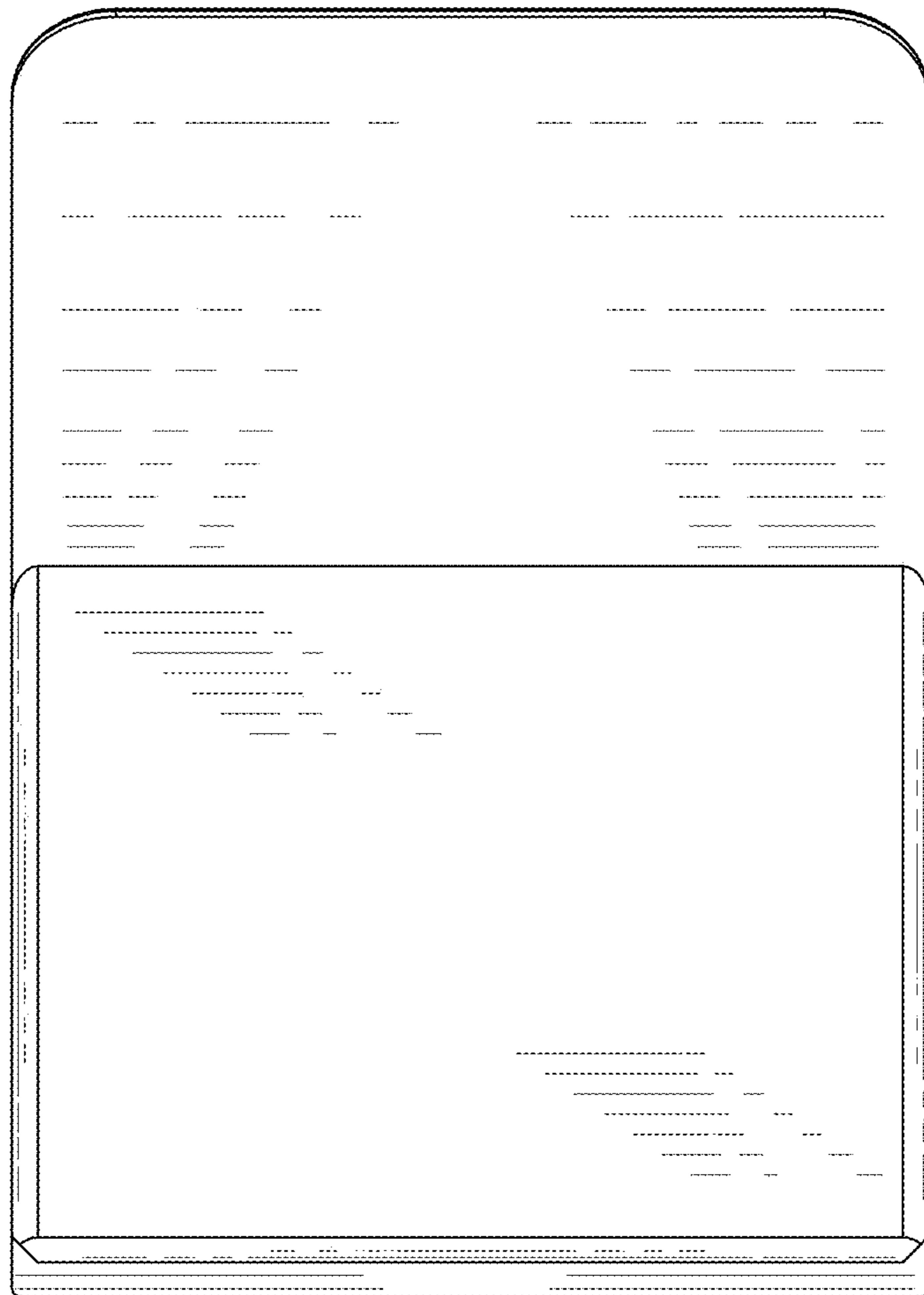


FIG. 4

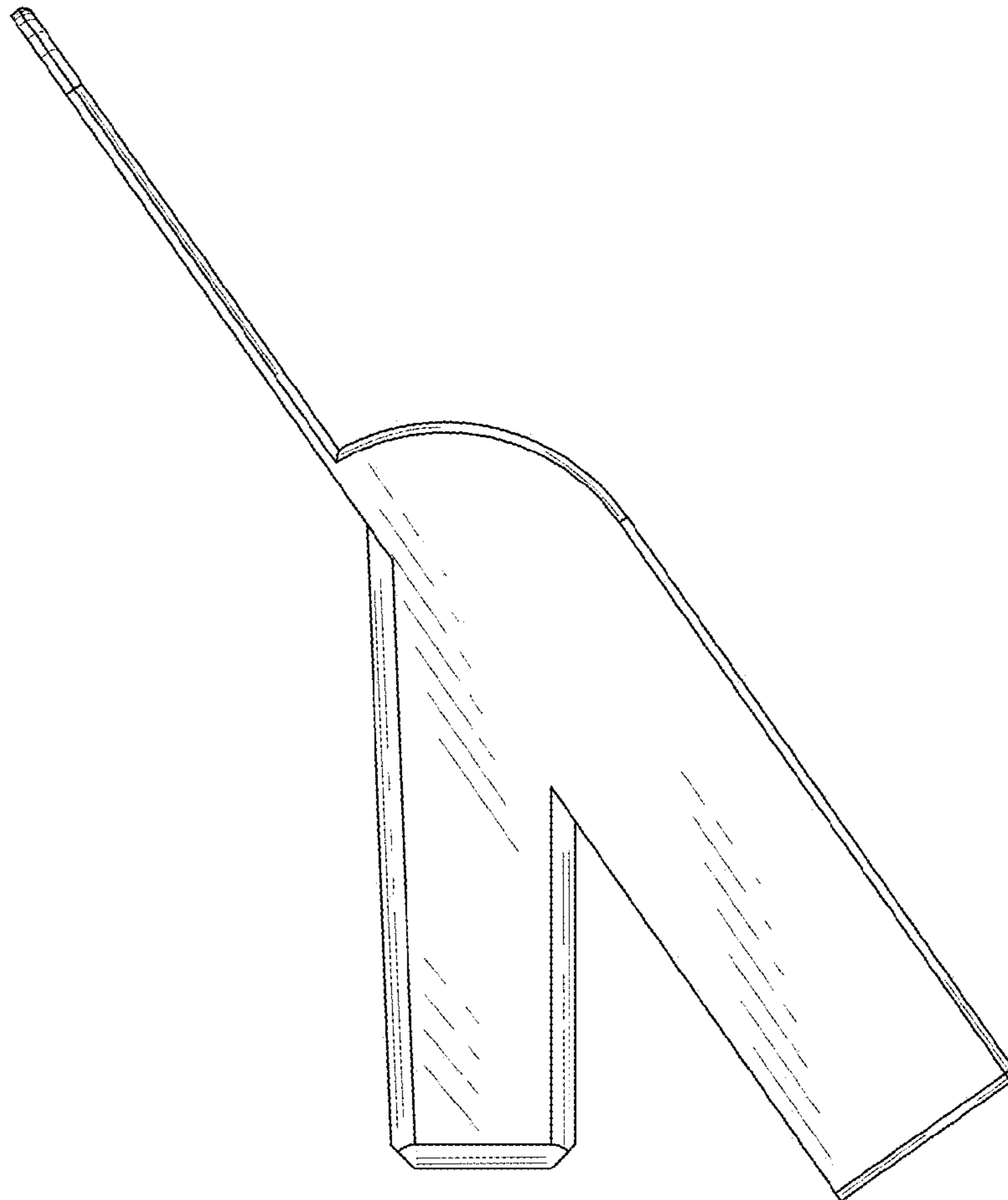


FIG. 5

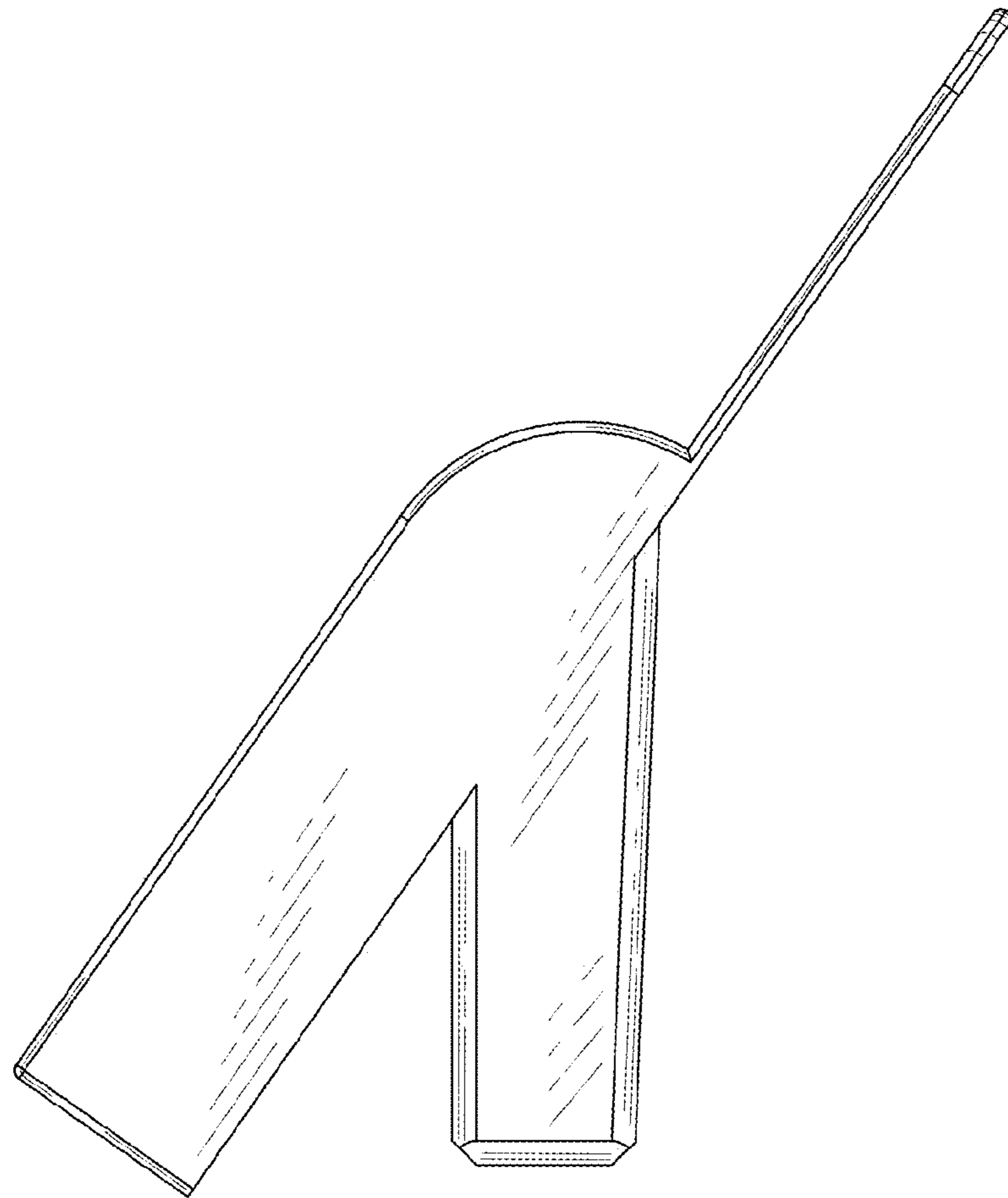


FIG. 6

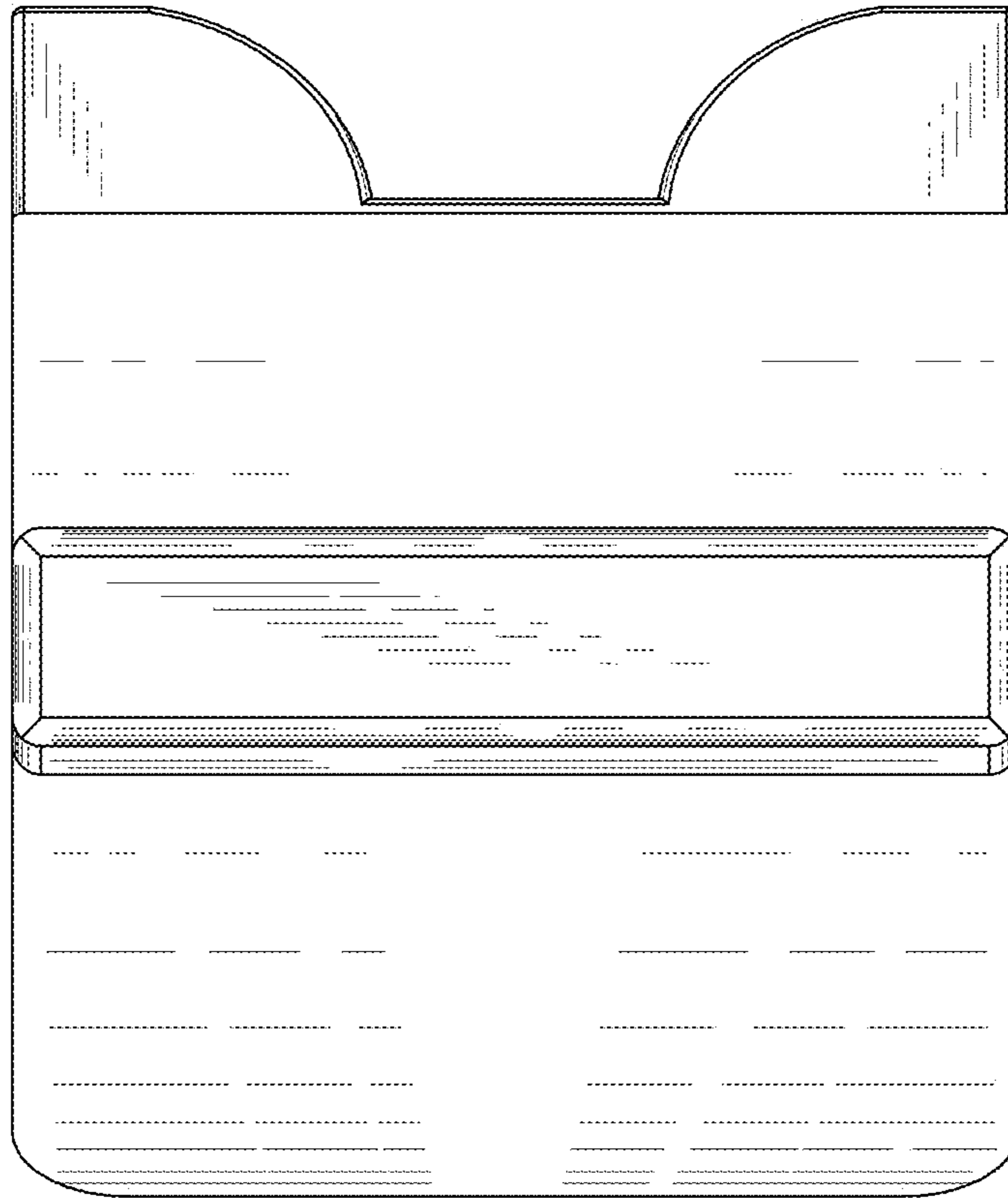


FIG. 7



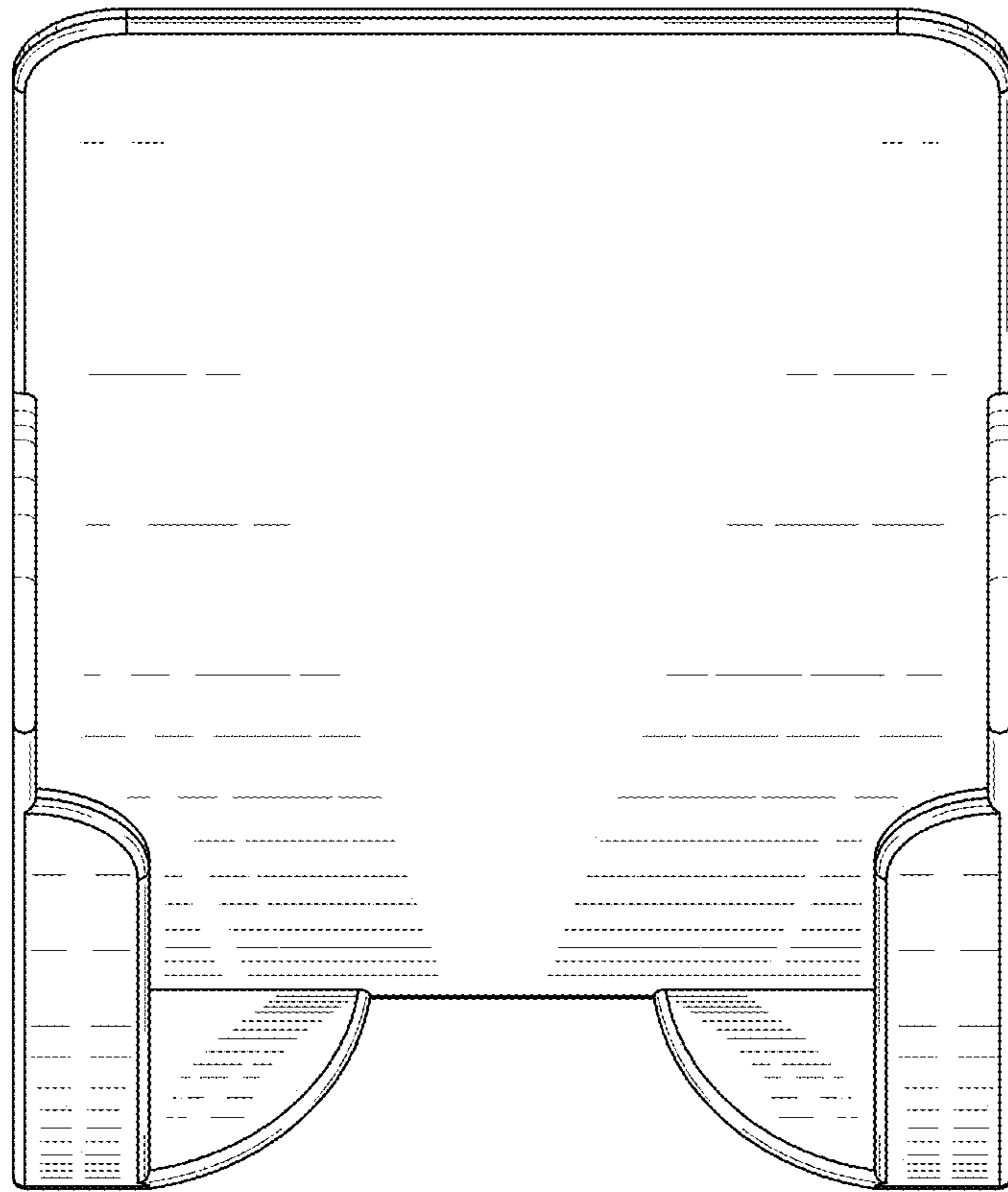


FIG. 8