



US00D765647S

(12) **United States Design Patent** (10) **Patent No.:** **US D765,647 S**
Lee (45) **Date of Patent:** **** Sep. 6, 2016**

(54) **SMART PHONE HOLDER**
(71) Applicant: **Dongyeob Lee**, Bucheon-si (KR)
(72) Inventor: **Dongyeob Lee**, Bucheon-si (KR)
(73) Assignee: **SHINHYEONG INT CO., LTD.**,
Bucheon-Si, Gyeonggi-Do (KR)
(**) Term: **15 Years**
(21) Appl. No.: **29/528,595**
(22) Filed: **May 29, 2015**
(51) **LOC (10) Cl.** **14-03**
(52) **U.S. Cl.**
USPC **D14/253**
(58) **Field of Classification Search**
USPC D14/253, 251, 252, 447, 451, 452, 440,
D14/434, 458, 432, 439, 457, 460, 238.1,
D14/140, 142, 149, 217, 148, 140.8, 140.11,
D14/209.1, 151, 140.9, 250, 238; D13/107,
D13/108; D12/415, 223, 114, 420, 417,
D12/407, 177; D3/218; D16/242-245, 250,
D16/237, 203, 214, 219; D6/675, 672, 673,
D6/675.4, 553, 676, 310, 406.3, 406.4,
D6/406.5, 406.6, 407, 567, 300, 682.3;
248/459, 460; 224/483; D8/349
CPC B60R 2011/0008; B60R 11/02; B60R
11/0241; B60R 11/0258; B60R 11/0252;
B60R 2011/0294; F16M 11/00; F16M 11/04;
F16M 11/041; F16M 11/02; F16M 11/06;
F16M 13/00; H04M 1/02; H04M 1/04;
H04M 1/11; H04M 1/12; A47F 7/022;
B62J 11/00; H05K 7/00; G03B 17/56
See application file for complete search history.

(56) **References Cited**
U.S. PATENT DOCUMENTS
D286,978 S * 12/1986 Cogburn D8/396
D506,385 S * 6/2005 Brown D8/394

D511,679 S * 11/2005 Malin D8/396
D598,910 S * 8/2009 Bradford D14/217
D618,222 S * 6/2010 Kallas D14/229
D684,962 S * 6/2013 Linhardt D14/253
D690,997 S * 10/2013 Zemel D7/590
8,998,048 B1 * 4/2015 Wu B62J 11/00
224/420
D739,853 S * 9/2015 Lee D14/253
D748,615 S * 2/2016 Lee D14/251
D756,987 S * 5/2016 Taing D14/253
2012/0223196 A1 * 9/2012 Musselman B60R 11/02
248/220.21
2015/0144754 A1 * 5/2015 Elharar B60R 11/0241
248/230.8
2016/0082893 A1 * 3/2016 Ormsbee B60R 11/0241
224/558

* cited by examiner

Primary Examiner — Susan Bennett Hattan

Assistant Examiner — Janice Hallmark

(74) *Attorney, Agent, or Firm* — John K. Park; Park Law Firm

(57) **CLAIM**

The ornamental design for a smart phone holder, as shown and described.

DESCRIPTION

FIG. 1 is a perspective view of a smart phone holder showing my new design;
FIG. 2 is a top plan view thereof;
FIG. 3 is a bottom view thereof;
FIG. 4 is a front view thereof;
FIG. 5 is a rear view thereof;
FIG. 6 is a right side view thereof; and,
FIG. 7 is a left side view thereof.

1 Claim, 4 Drawing Sheets

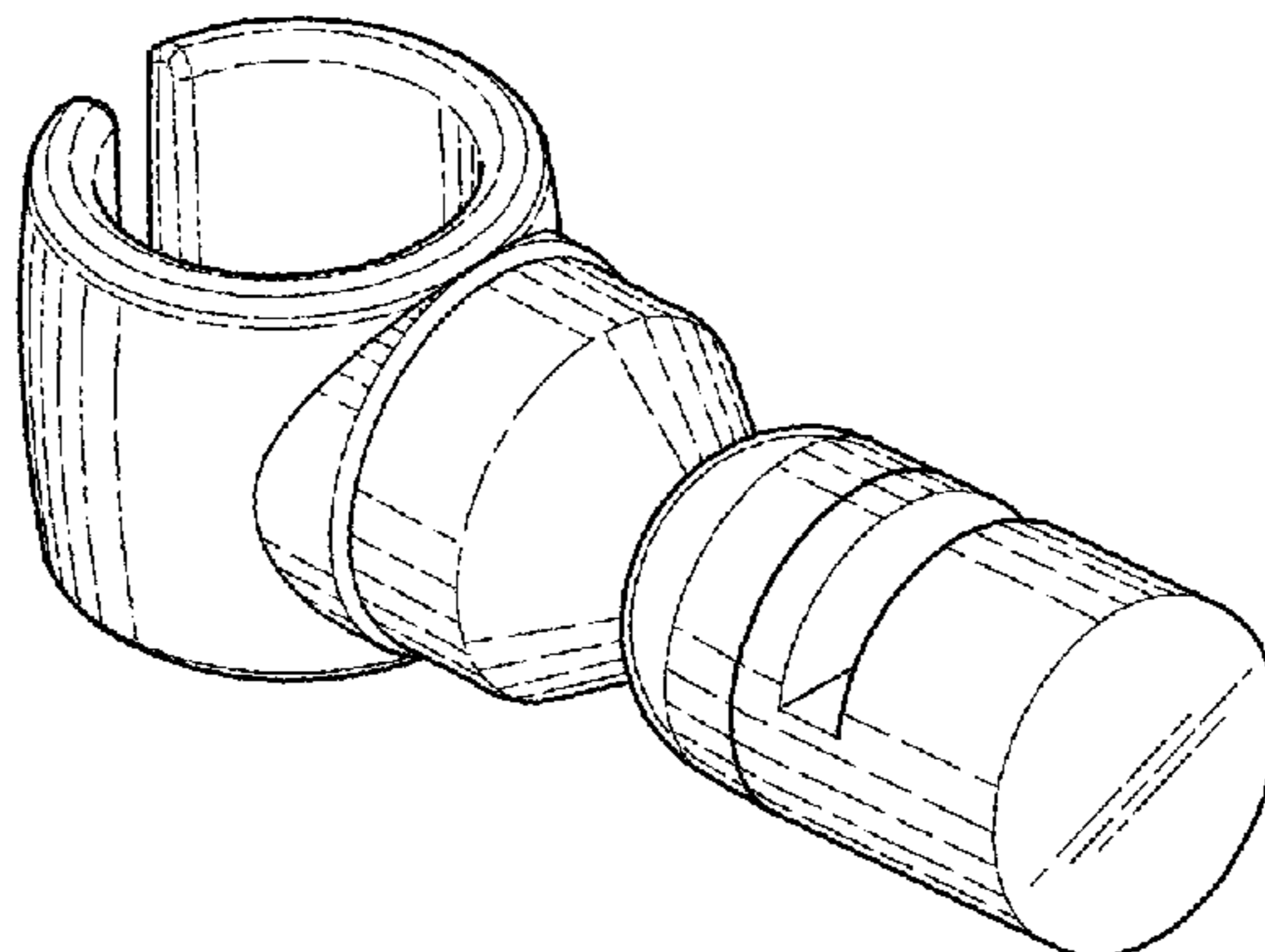


FIG. 1

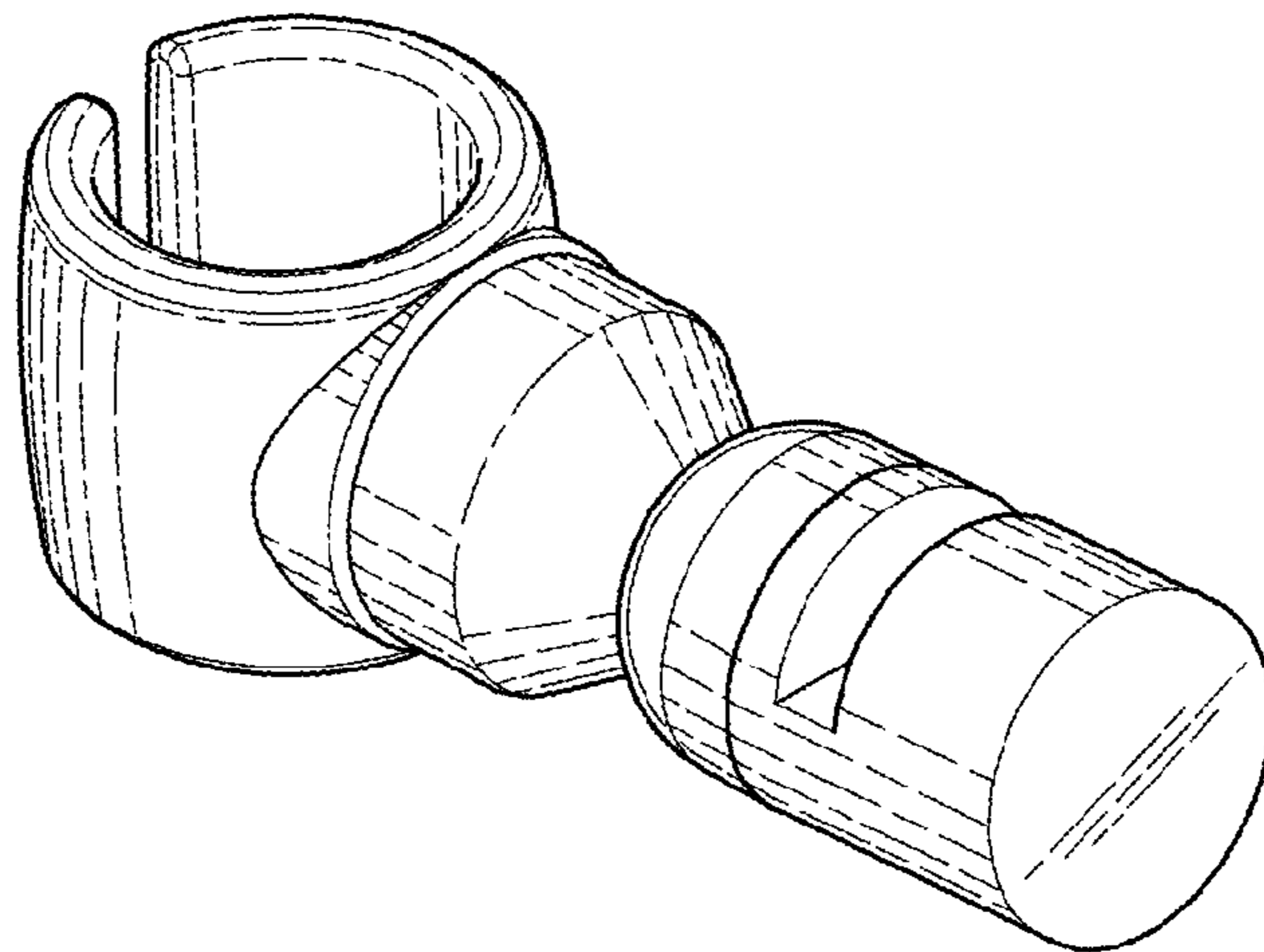


FIG. 2

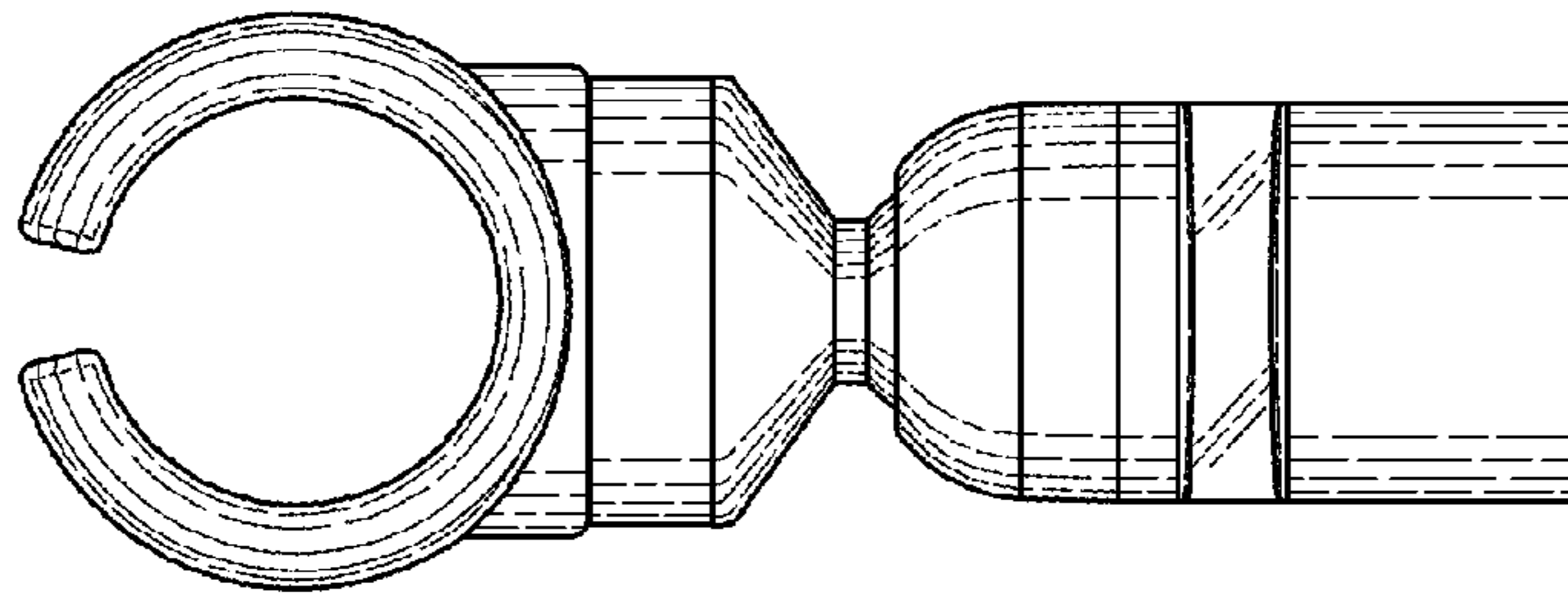


FIG. 3

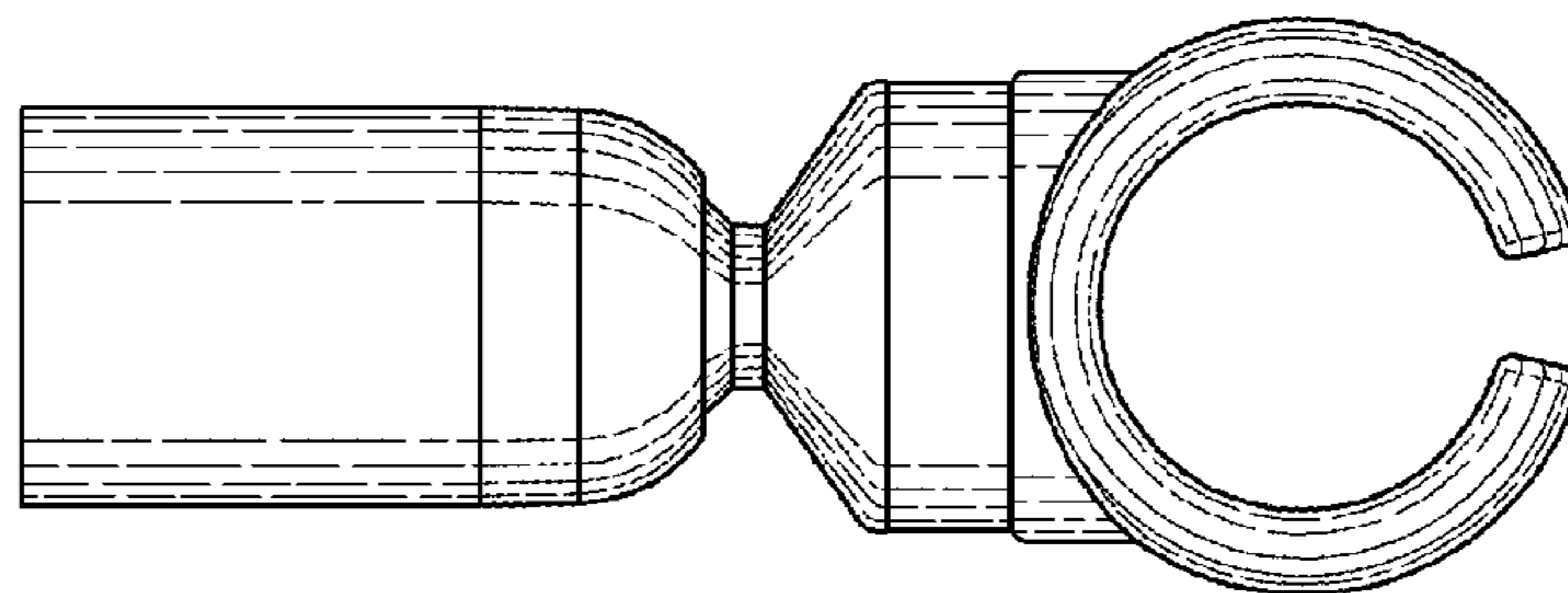


FIG. 4

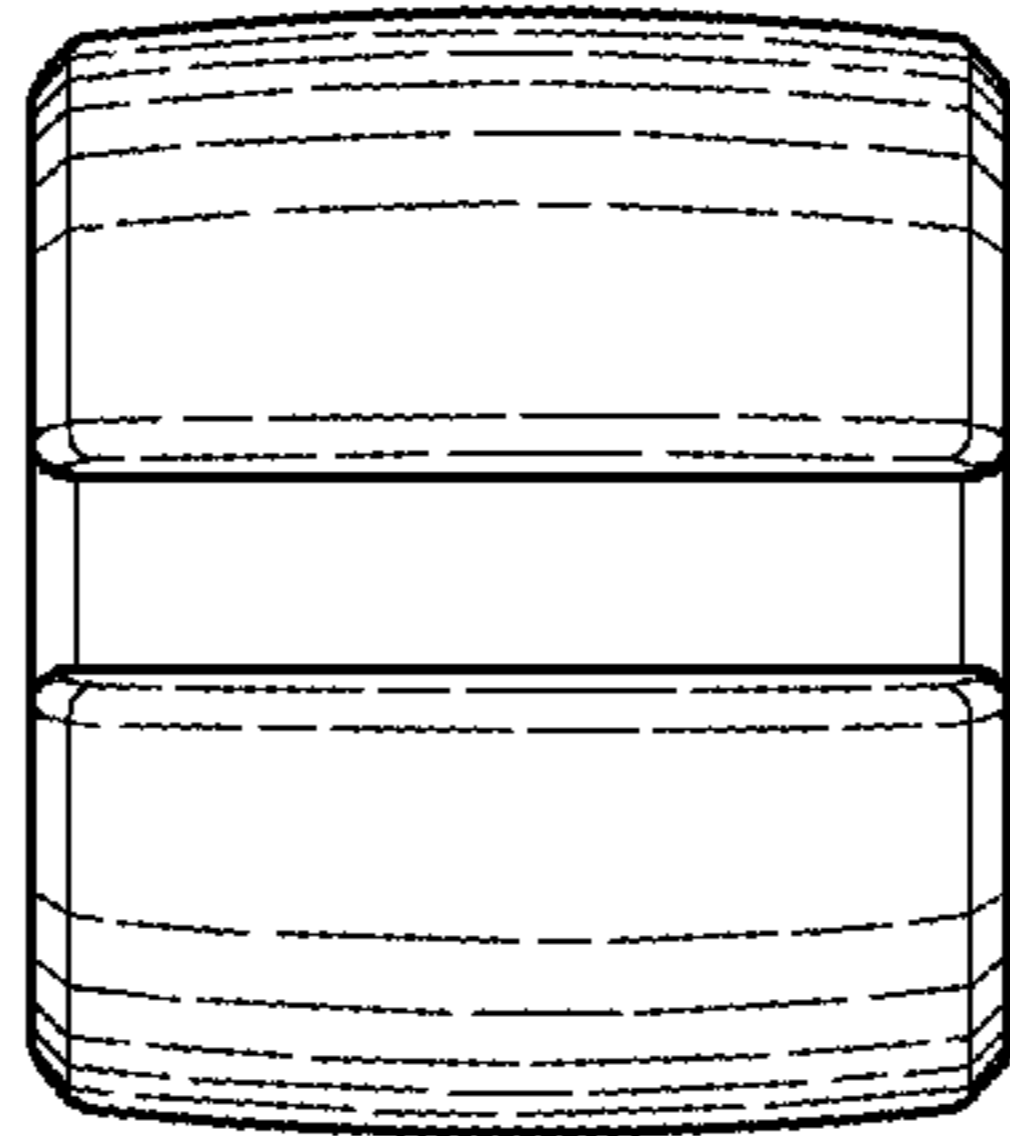


FIG. 5

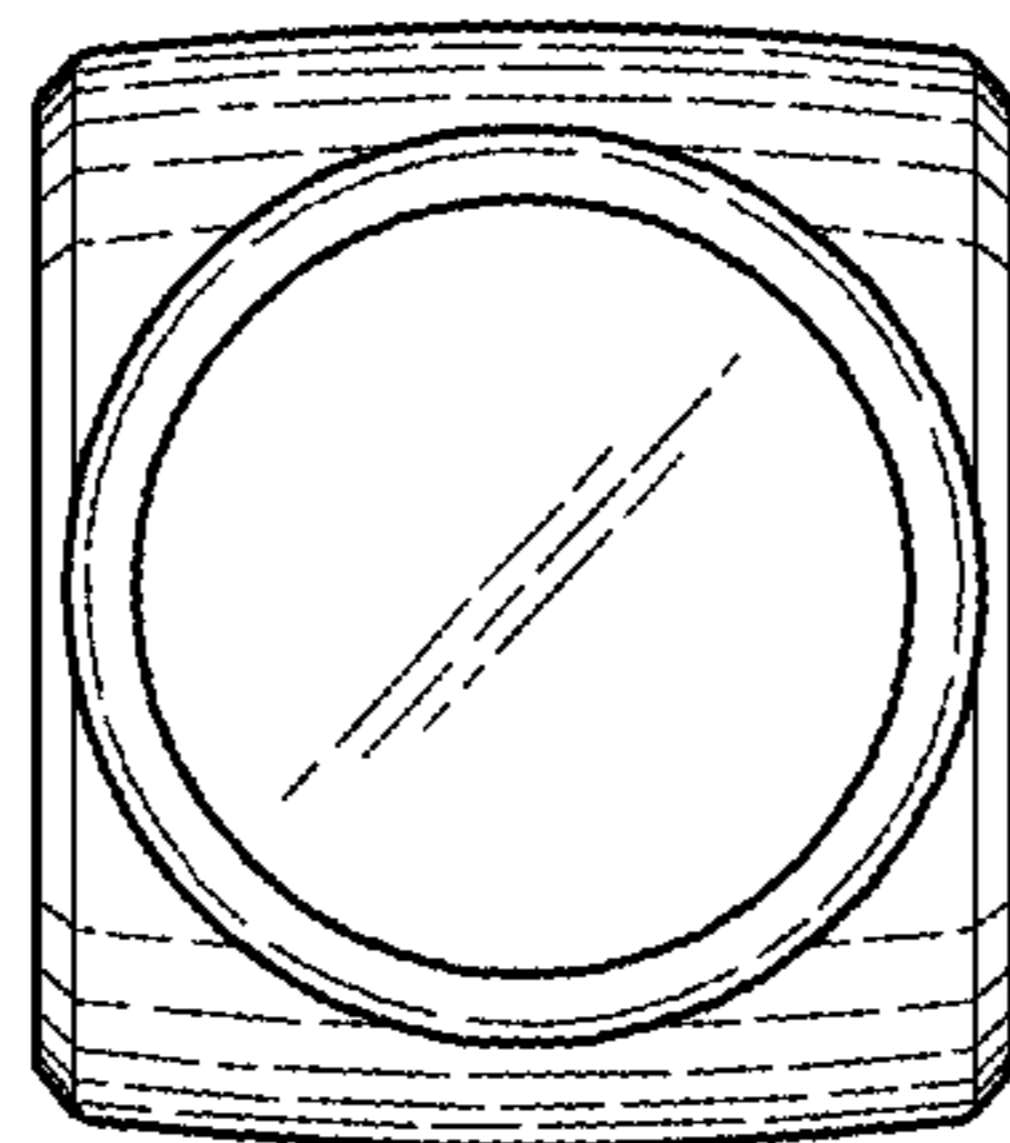


FIG. 6

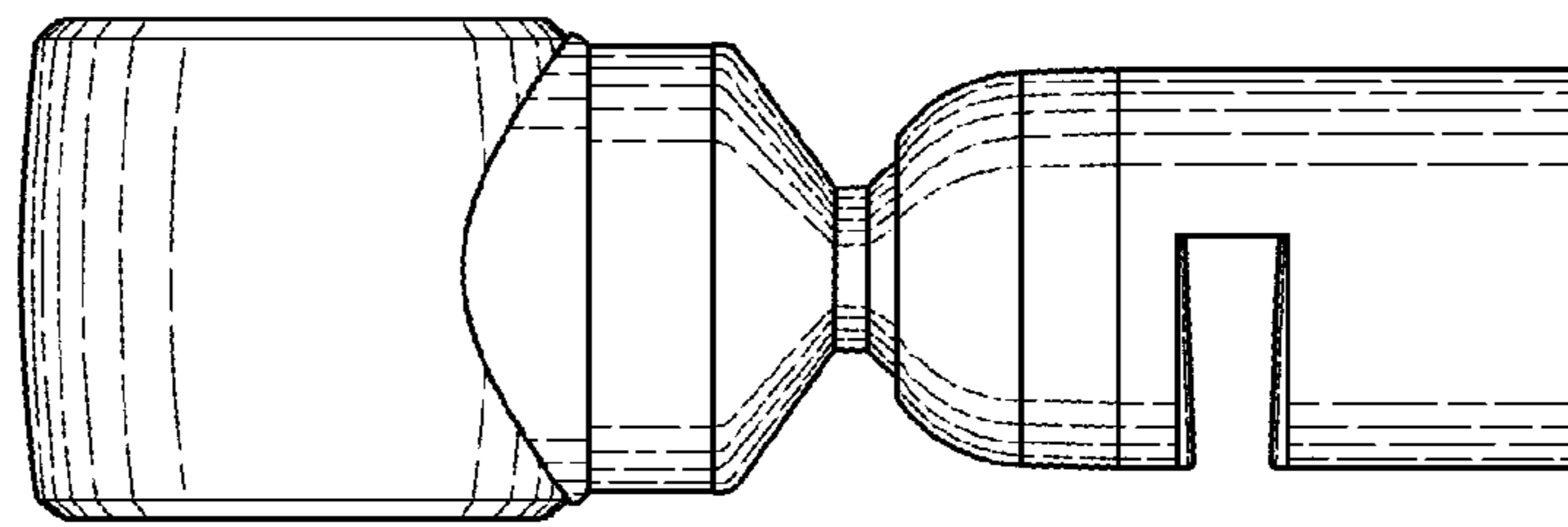


FIG. 7

