

US00D765646S

(12) **United States Design Patent**  
**Deng et al.**

(10) **Patent No.:** **US D765,646 S**  
(45) **Date of Patent:** **\*\* Sep. 6, 2016**

- (54) **SMART PHONE HOLDER FOR AIR VENT**
- (71) Applicant: **E. MISHAN & SONS, INC.**, New York, NY (US)
- (72) Inventors: **Daniel Deng**, Dongguan (CN); **Debbie Feuerstein**, Riverdale, NY (US)
- (73) Assignee: **E. Mishan & Sons, Inc.**, New York, NY (US)
- (\*\*) Term: **14 Years**
- (21) Appl. No.: **29/516,636**
- (22) Filed: **Feb. 4, 2015**
- (51) **LOC (10) Cl.** ..... **14-03**
- (52) **U.S. Cl.**  
USPC ..... **D14/253**; D14/447; D12/415
- (58) **Field of Classification Search**  
USPC ..... D14/251–253, 432, 434, 447, 451, 452, D14/140, 142, 149, 217, 240, 299, 496; D3/215, 218, 219, 328; D13/107, 108; D10/23; D8/71, 72, 74, 349, 373; D6/302, 303, 306, 310, 312; 455/575.1; D19/88; D16/242, 245; D21/313; D12/400, 415–418, D12/420–422, 426, 223; 379/454  
CPC ..... H04M 1/00; H04M 1/04; H04M 1/06; H04M 1/11; H04B 1/3877; H04B 1/3888; F16M 11/04; F16M 11/041; B60R 11/02; B60R 11/0241; B60R 11/0258; B60R 11/0252; A45F 5/021; A45F 2005/025  
See application file for complete search history.

(56) **References Cited**

**U.S. PATENT DOCUMENTS**

5,064,162 A	11/1991	Jondellius	
5,109,411 A	4/1992	O'Connell	
D337,555 S *	7/1993	McNab	..... D12/159
5,305,381 A	4/1994	Wang	
5,338,252 A	8/1994	Bowler et al.	

6,103,201 A	8/2000	Green	
6,256,387 B1 *	7/2001	Wang	..... H04M 1/04 379/446
6,366,672 B1	4/2002	Tsay	
6,441,872 B1	8/2002	Ho	
6,514,467 B1	2/2003	Bulsink et al.	
6,888,940 B1	5/2005	Deppen	
6,988,907 B2	1/2006	Chang	

(Continued)

**FOREIGN PATENT DOCUMENTS**

CN	ZL97222332.0	7/1997
CN	ZL99248367.0	10/1999

(Continued)

**OTHER PUBLICATIONS**

International Search Report and Written Opinion for PCT/US2014/038253 filed May 15, 2014.

(Continued)

*Primary Examiner* — Susan Bennett Hattan  
*Assistant Examiner* — Marie Fast Horse  
(74) *Attorney, Agent, or Firm* — Notaro, Michalos & Zaccaria P.C.

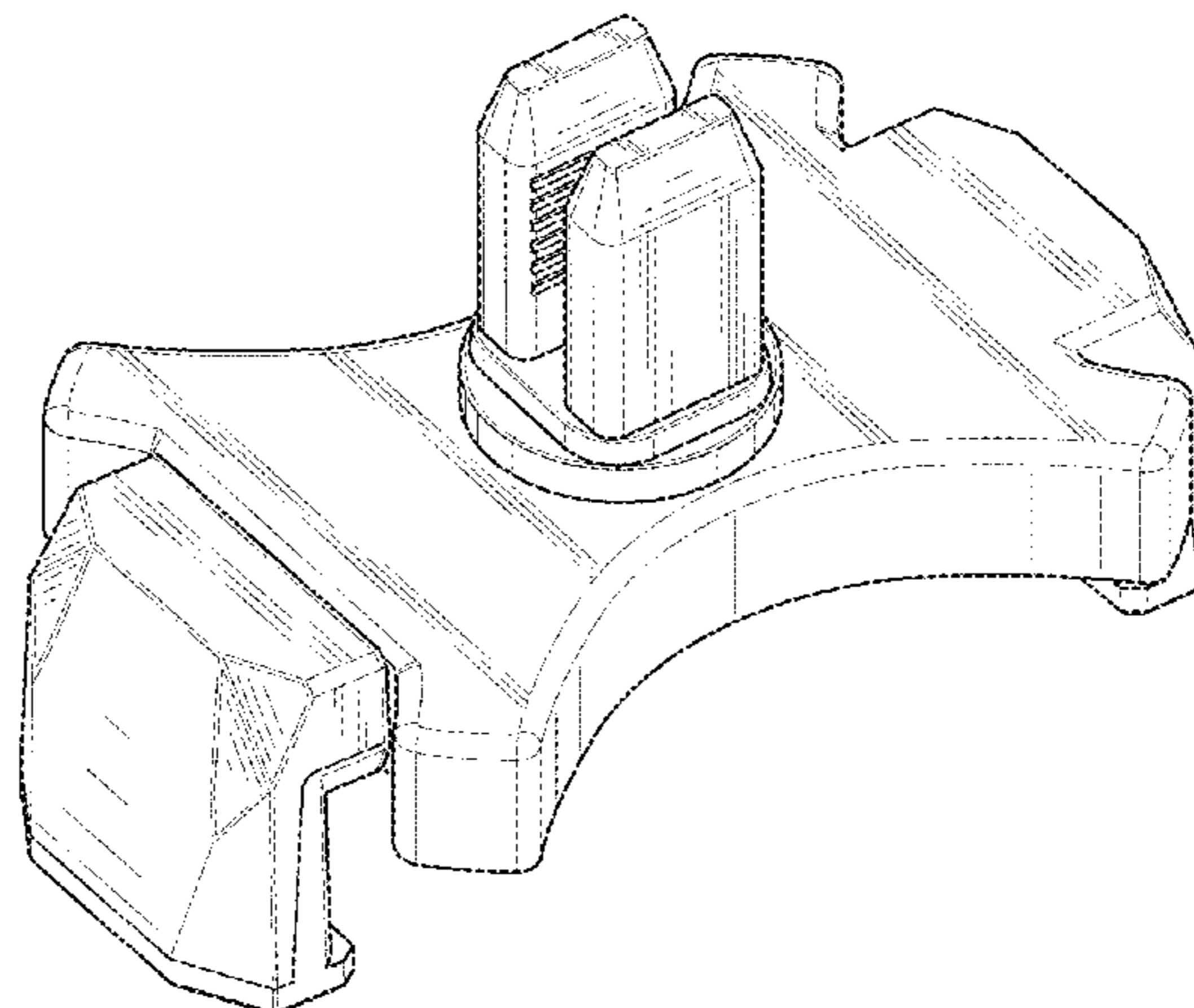
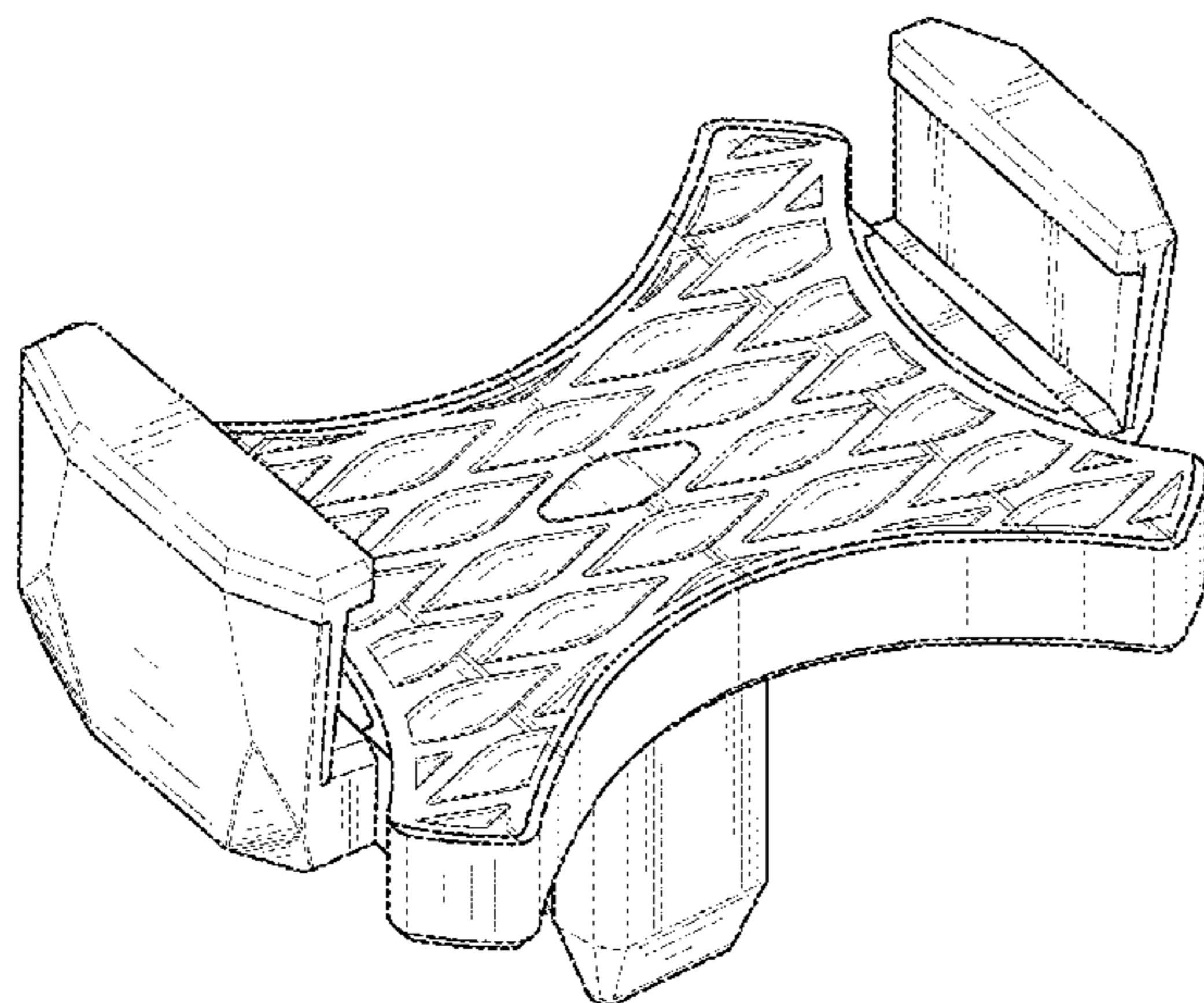
(57) **CLAIM**

The ornamental design for a smart phone holder for vent, as shown and described.

**DESCRIPTION**

FIG. 1 is a top, right, front perspective view of a smart phone holder for air vent showing our design therefor; FIG. 2 is a bottom, left, rear perspective view thereof; FIG. 3 is a top plan view thereof; FIG. 4 is a bottom plan view thereof; FIG. 5 is a left side elevational view thereof; FIG. 6 is a right side elevational view thereof; FIG. 7 is a front elevational view thereof; and, FIG. 8 is a rear elevational view thereof.

**1 Claim, 6 Drawing Sheets**



(56)

References Cited

U.S. PATENT DOCUMENTS

7,061,386 B2 6/2006 Seresini  
 7,080,812 B2 7/2006 Wadsworth et al.  
 7,140,553 B2 11/2006 Zobebe  
 7,162,281 B2 1/2007 Kim  
 D538,912 S 3/2007 Kaplan  
 7,284,737 B2 10/2007 Kane  
 D592,041 S 5/2009 Drolet  
 D592,188 S \* 5/2009 Huang ..... D14/217  
 D603,840 S 11/2009 Lee et al.  
 7,780,094 B2 8/2010 Caserta et al.  
 7,857,178 B2 12/2010 Brown, Jr.  
 D630,222 S 1/2011 Lin  
 D630,955 S \* 1/2011 McAlpine ..... D10/74  
 D637,593 S 5/2011 Zanetti  
 D645,033 S 9/2011 Quong et al.  
 D654,054 S \* 2/2012 Kohte ..... D14/217  
 D655,702 S 3/2012 Saxton  
 D656,932 S 4/2012 Wikel  
 D656,940 S 4/2012 McClelland et al.  
 D657,364 S 4/2012 Norman  
 D663,726 S 7/2012 Gourley  
 D664,147 S 7/2012 Zhao et al.  
 D684,980 S 6/2013 Chun  
 D690,707 S 10/2013 Minn et al.  
 D692,897 S 11/2013 Luijben  
 8,573,455 B1 11/2013 Brown  
 D703,213 S 4/2014 Gifford et al.  
 D704,199 S \* 5/2014 Byun ..... D14/447  
 D709,512 S 7/2014 Wardlaw  
 D712,394 S 9/2014 Booth et al.  
 D716,215 S \* 10/2014 Dunn ..... D12/415  
 D718,298 S \* 11/2014 Aspinall ..... D14/253  
 D719,144 S \* 12/2014 Eulette ..... D14/250  
 D720,759 S 1/2015 Deng et al.  
 D723,042 S \* 2/2015 Lee ..... D14/447  
 D727,333 S \* 4/2015 Shih ..... D14/447  
 D735,112 S \* 7/2015 Deng ..... D12/415  
 D739,410 S \* 9/2015 Chun ..... D14/447  
 D742,387 S \* 11/2015 Xiang ..... D14/447  
 D750,612 S \* 3/2016 Chen ..... D14/253  
 D750,633 S \* 3/2016 Minn ..... D14/447  
 D752,597 S \* 3/2016 Girault ..... D14/447  
 D753,126 S \* 4/2016 Alesi ..... D14/447  
 2004/0040994 A1 3/2004 Parcelles  
 2005/0127538 A1 6/2005 Fabrega et al.  
 2008/0190978 A1 8/2008 Brassard  
 2008/0224007 A1 9/2008 Mo  
 2009/0072106 A1 3/2009 Zheng

2010/0019059 A1 1/2010 Bulsink  
 2010/0320341 A1 \* 12/2010 Baumann ..... B60R 11/0241  
 248/206.2  
 2010/0327031 A1 12/2010 Olmos  
 2011/0148352 A1 6/2011 Wang et al.  
 2011/0278885 A1 11/2011 Procter et al.  
 2012/0175394 A1 7/2012 Keune  
 2013/0037590 A1 2/2013 Yoon  
 2013/0213826 A1 \* 8/2013 Partridge ..... F16M 11/10  
 206/45.24  
 2014/0028243 A1 \* 1/2014 Rayner ..... G06F 1/163  
 320/103  
 2014/0034697 A1 2/2014 Mak  
 2014/0097306 A1 4/2014 Hale et al.  
 2014/0103087 A1 4/2014 Fan  
 2014/0138419 A1 5/2014 Minn et al.  
 2014/0145051 A1 \* 5/2014 Gwag ..... B60R 11/02  
 248/298.1  
 2015/0191124 A1 \* 7/2015 Du ..... F16M 13/022  
 248/205.4  
 2015/0230351 A1 \* 8/2015 Yeo ..... F16B 2/12  
 248/205.5  
 2016/0014243 A1 \* 1/2016 Snowden ..... B60R 11/0241  
 455/575.1  
 2016/0052370 A1 \* 2/2016 Esses ..... B60H 3/0028  
 239/1

FOREIGN PATENT DOCUMENTS

CN ZL00207036.7 4/2000  
 EM 002487504-0001 6/2014  
 JP 8276793 10/1996  
 JP 10126474 5/1998  
 JP 10181415 7/1998  
 JP 2000134300 10/1998  
 JP 11139215 5/1999  
 JP 11139216 5/1999  
 JP 200171828 3/2001  
 KR 1019980060936 12/1998  
 KR 2020060021730 8/2006  
 WO PCT/IT95/00126 7/1995  
 WO PCT/EP/03/00563 1/2003  
 WO PCT/KR2011/008218 10/2011

OTHER PUBLICATIONS

Photos of Cell Tek, Hands Free Universal Cell Phone Holder & Speaker.  
 Arkon Resources Inc., SM429-SBH Universal Air Vent Swivel Mount with Adjustable Cradle, 2010.

\* cited by examiner



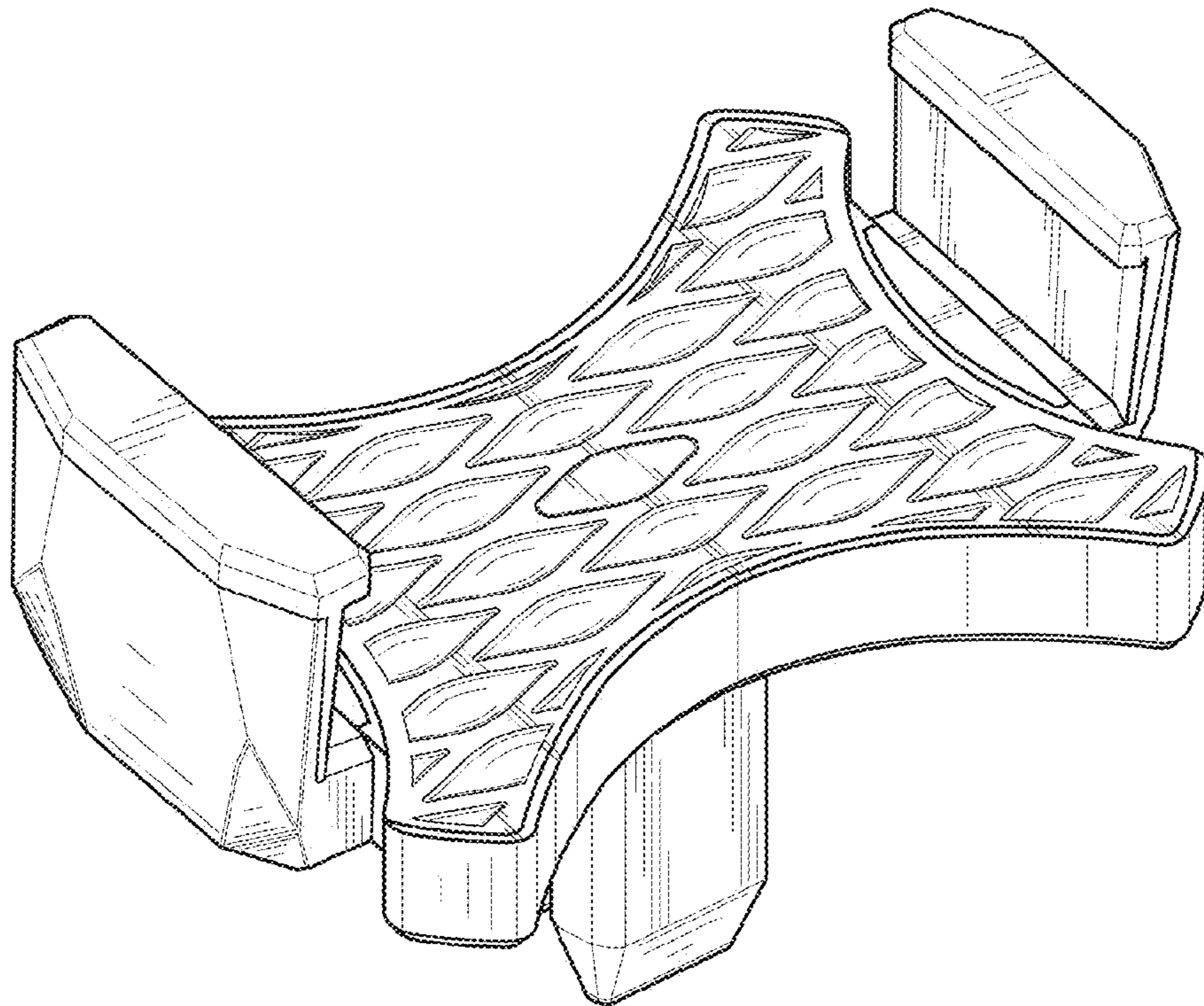


FIG. 1

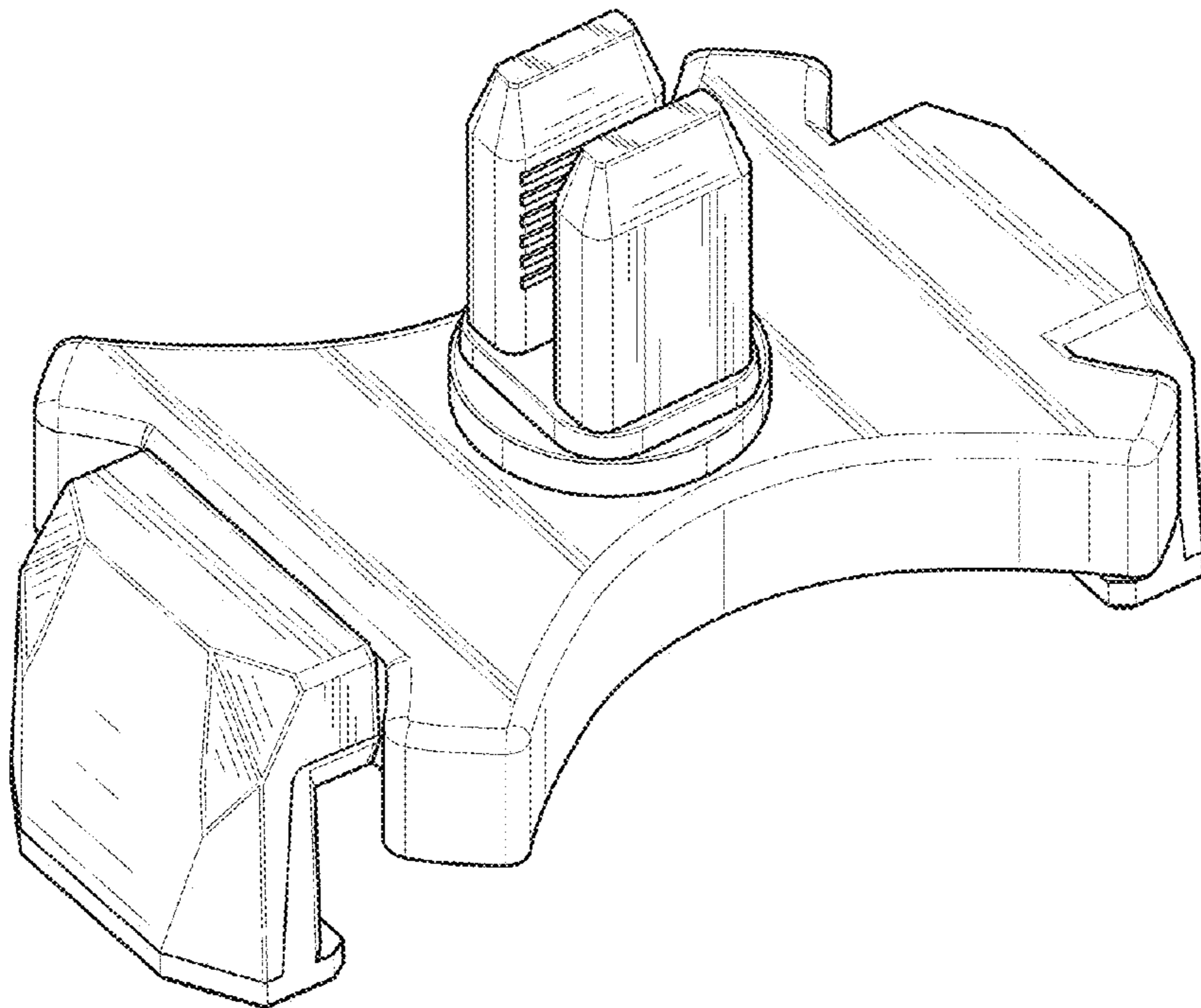


FIG. 2

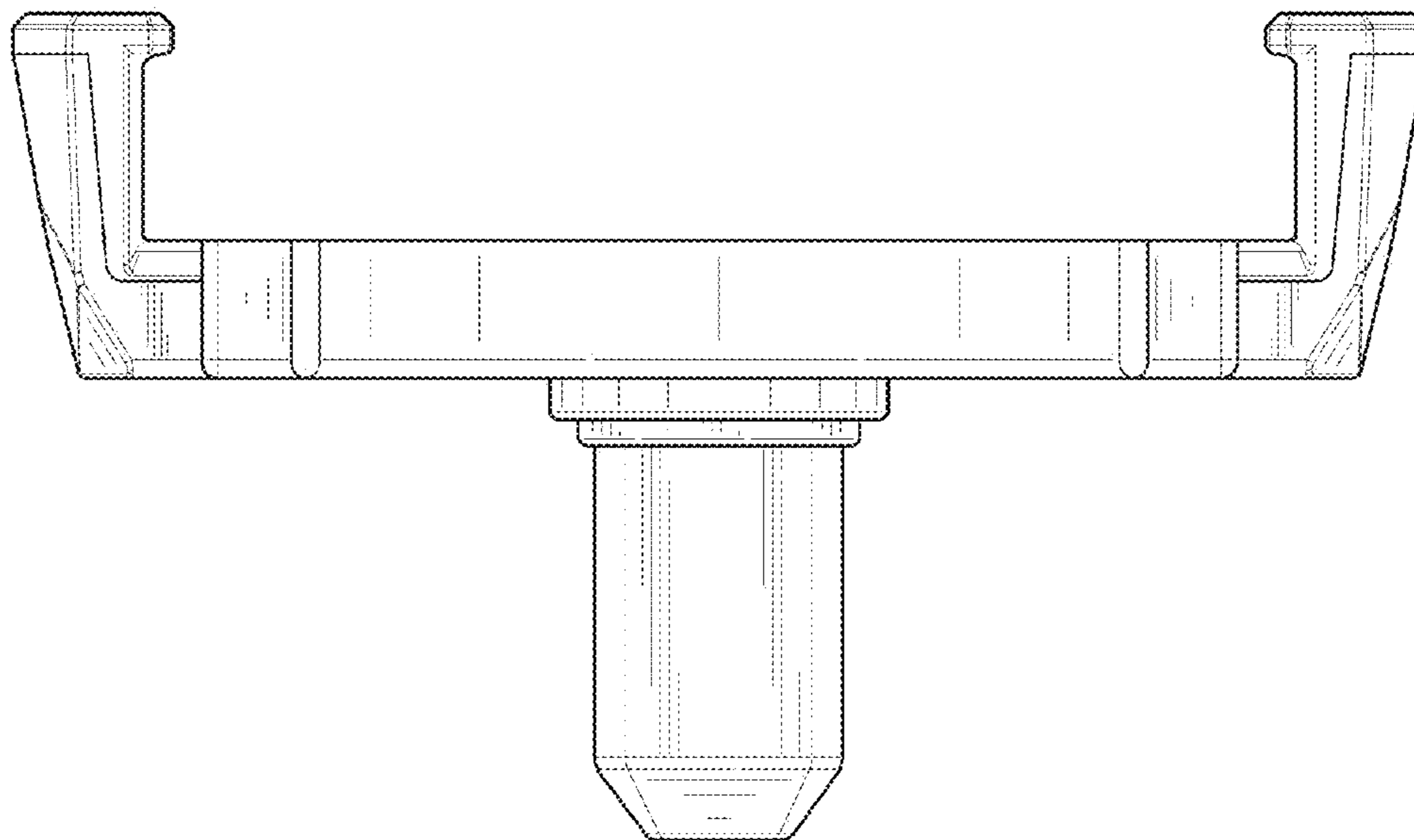


FIG. 3

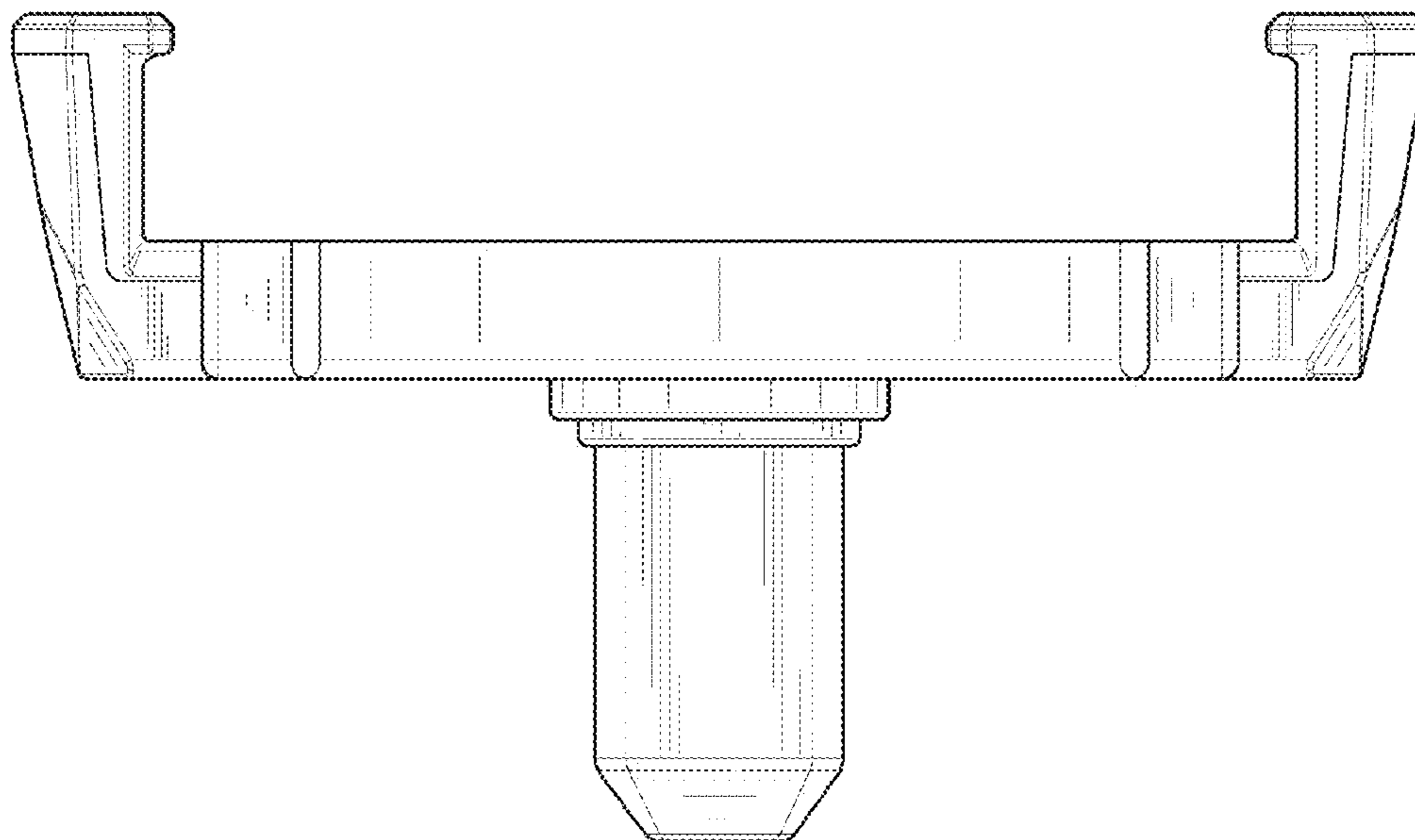


FIG. 4

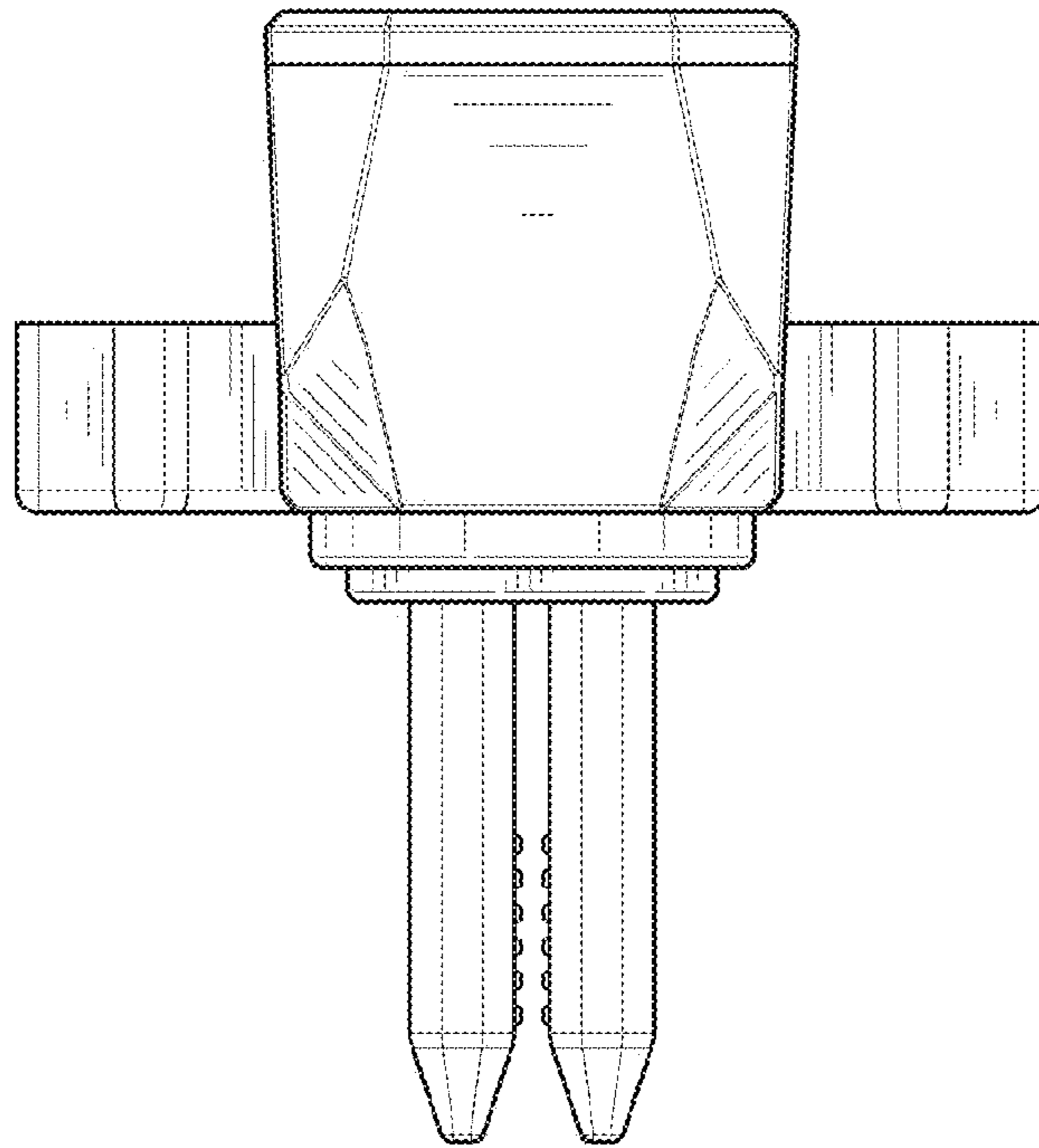


FIG. 5

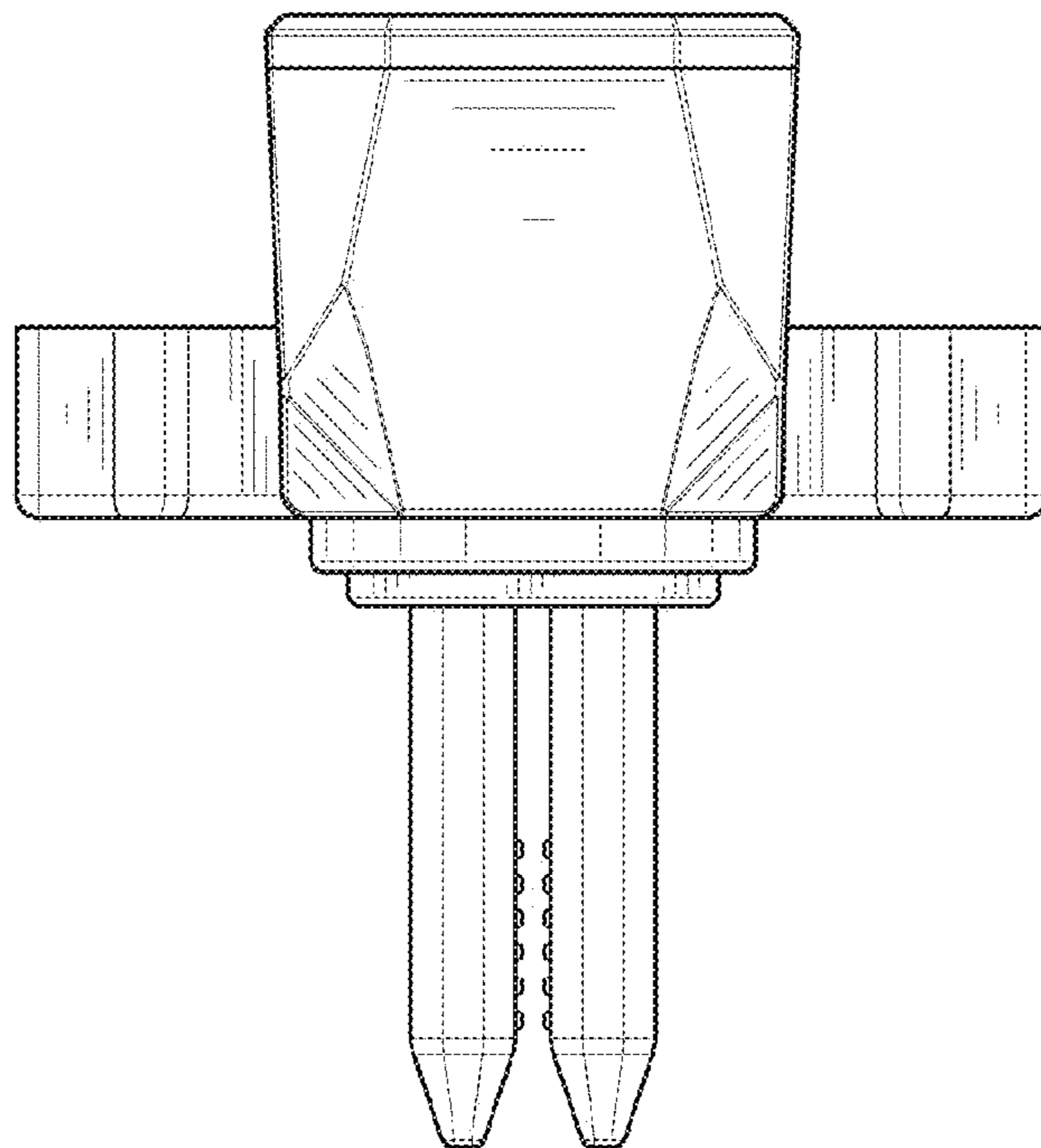


FIG. 6

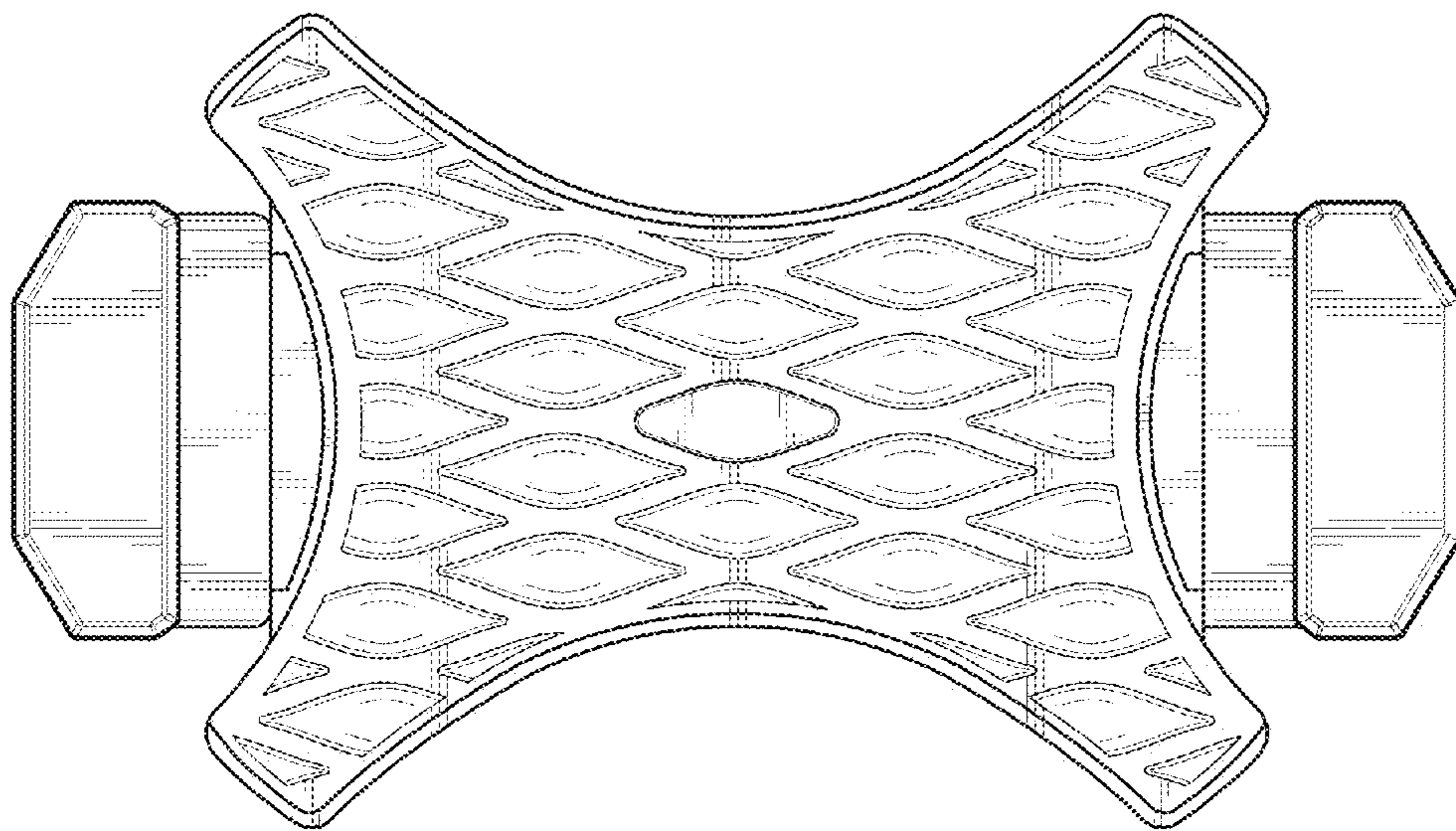


FIG. 7



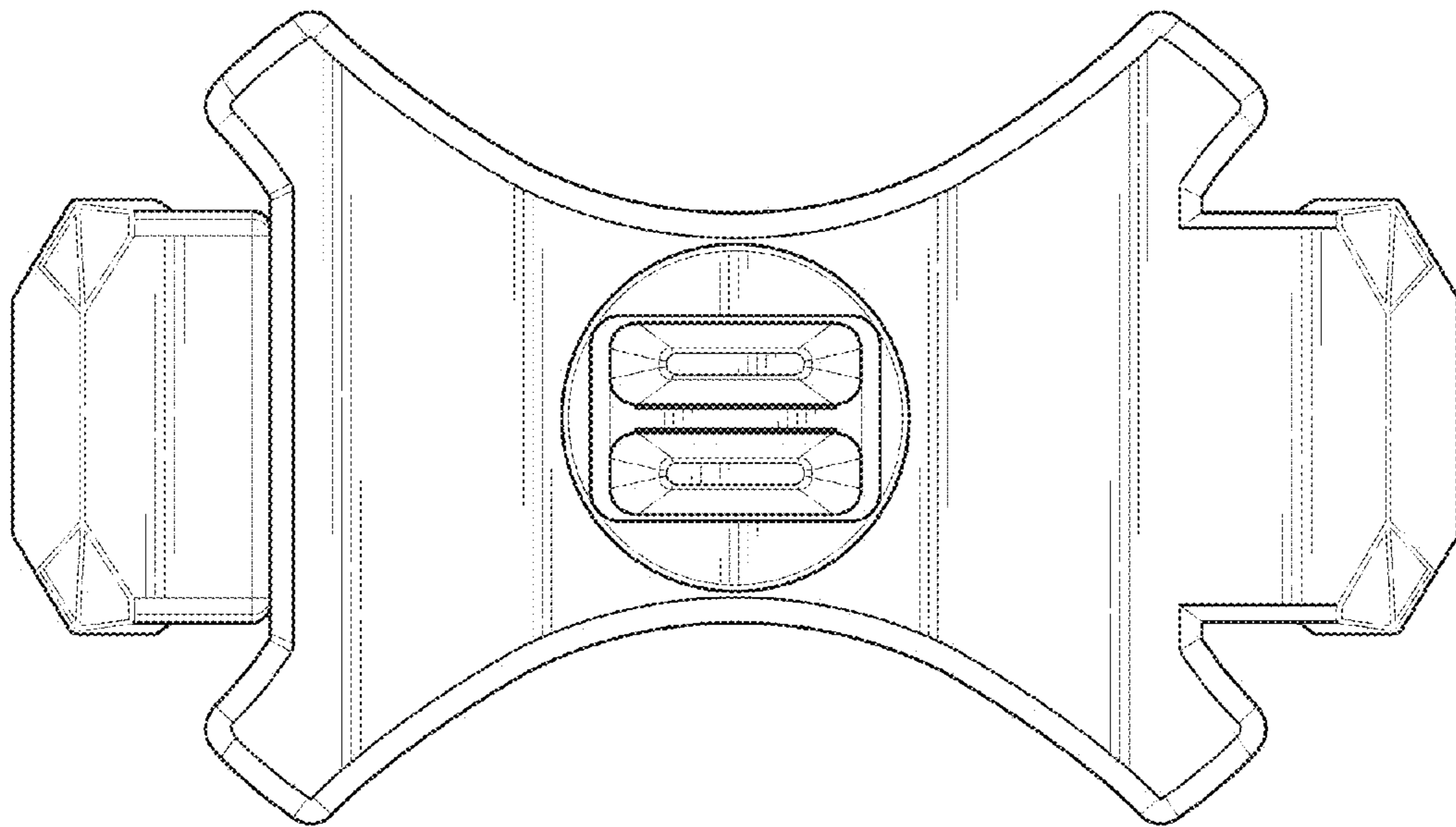


FIG. 8