

US00D765639S

(12) **United States Design Patent** (10) **Patent No.:** **US D765,639 S**
Lay et al. (45) **Date of Patent:** **** Sep. 6, 2016**

- (54) **SMARTPHONE CASE**
- (71) Applicant: **OTTER PRODUCTS, LLC**, Fort Collins, CO (US)
- (72) Inventors: **Carlton R. Lay**, Fort Collins, CO (US); **Adam J. Havens**, Fort Collins, CO (US); **Peter J. Gronewoller**, Fort Collins, CO (US); **Lucas B. Weller**, Fort Collins, CO (US); **Lee B. Gates**, Fort Collins, CO (US)
- (73) Assignee: **OTTER PRODUCTS, LLC**, Fort Collins, CO (US)
- (**) Term: **15 Years**
- (21) Appl. No.: **29/530,555**
- (22) Filed: **Jun. 17, 2015**
- (51) **LOC (10) Cl.** **14-03**
- (52) **U.S. Cl.**
USPC **D14/250**
- (58) **Field of Classification Search**
USPC D14/238.1, 248, 250, 440, 203.3–203.7, D14/217, 240, 251–253, 447, 496; D3/201, D3/218, 247, 269, 273, 301, 303; D13/103, 107–108, 119
CPC A45C 1/06; A45C 11/00; A45C 13/02; A45C 2011/002; A45F 2005/026; A45F 2200/0525; A45F 2200/0516; H04B 1/3888; H04M 1/0283; H04M 1/0202
See application file for complete search history.

- D606,532 S 12/2009 de Jong et al.
- D618,230 S 6/2010 Brown et al.
- D624,304 S * 9/2010 Danze D3/201
- D641,348 S * 7/2011 Kim D14/250
- D647,892 S * 11/2011 Ragde, Jr. D14/238.1
- D652,829 S * 1/2012 Kim D14/250
- D657,354 S * 4/2012 Kim D14/250
- 8,186,514 B2 5/2012 Bowers
- D667,783 S 9/2012 Zhang et al.
- D668,245 S 10/2012 Bau
- D671,932 S 12/2012 Azoulay
- D673,159 S 12/2012 McCarthy et al.
- D673,551 S 1/2013 Chang et al.
- D674,801 S 1/2013 Wharram

(Continued)

Primary Examiner — Carla Jobe Wright

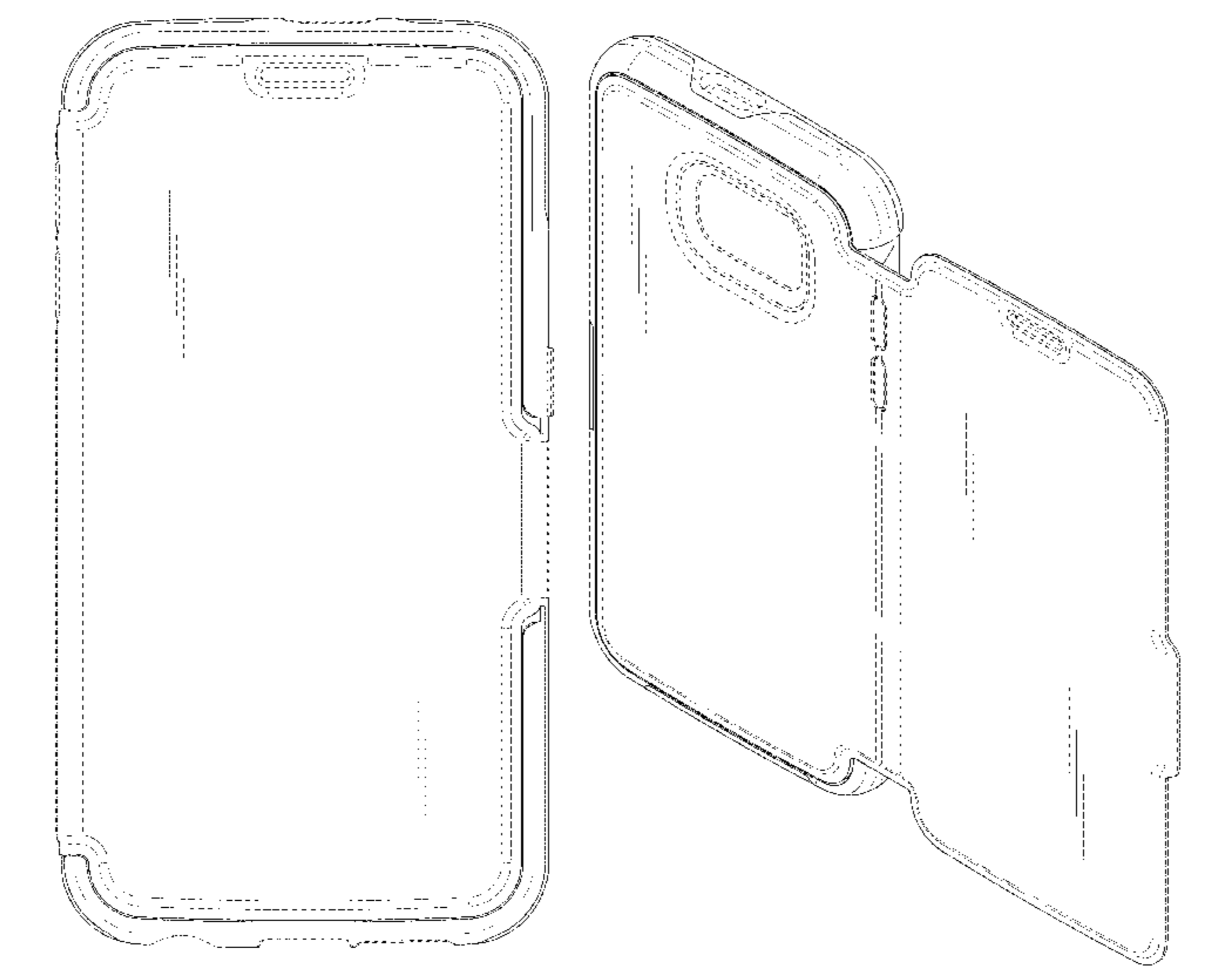
(57) **CLAIM**
The ornamental design for a smartphone case, as shown and described.

DESCRIPTION

FIG. 1 is a front isometric view of a smartphone case showing our new design;
 FIG. 2 is a rear isometric view thereof;
 FIG. 3 is a front view thereof;
 FIG. 4 is a rear view thereof;
 FIG. 5 is a left view thereof;
 FIG. 6 is a right view thereof;
 FIG. 7 is a top view thereof, shown on an enlarged scale;
 FIG. 8 is a bottom view thereof, shown on an enlarged scale;
 FIG. 9 is an isometric view of the smartphone case in an open configuration, showing the interior of the case; and,
 FIG. 10 is an isometric view of the smartphone case in an open configuration, showing the exterior of the case.
 The dot-dash broken line in FIG. 9 represents a boundary of the claimed design. The dash-dash broken lines depict portions of the smartphone case that form no part of the claimed design. The broken lines and unshaded surfaces bounded by broken lines form no part of the claimed design.

1 Claim, 8 Drawing Sheets

- (56) **References Cited**
U.S. PATENT DOCUMENTS
D574,819 S 8/2008 Andre et al.
D575,056 S 8/2008 Tan
D582,405 S * 12/2008 Andre D3/299
D597,089 S 7/2009 Khan et al.
7,609,512 B2 10/2009 Richardson et al.



(56)

References Cited

U.S. PATENT DOCUMENTS

D675,211 S *	1/2013	Rouser	D14/440	D710,346 S	8/2014	Smith et al.	
D681,020 S	4/2013	Magness et al.		D711,861 S *	8/2014	Mei	D14/250
D681,621 S	5/2013	Magness		D712,393 S *	9/2014	Kim	D14/250
D681,622 S	5/2013	Melanson et al.		D713,834 S *	9/2014	Almstrom	D14/250
8,443,971 B1	5/2013	Green et al.		D714,550 S *	10/2014	Yoo	D3/269
D684,149 S	6/2013	Chang et al.		D721,071 S	1/2015	Nelson et al.	
D684,358 S	6/2013	Pegg		D734,761 S *	7/2015	Ballou	D14/440
D685,358 S	7/2013	Armstrong et al.		D742,220 S *	11/2015	Eyerman	D9/426
D685,785 S	7/2013	Seoc et al.		D745,780 S *	12/2015	Feng	D3/269
D686,607 S	7/2013	Hong		D748,083 S *	1/2016	Peterson, III	D14/250
D698,345 S *	1/2014	Chang	D14/250	D749,066 S *	2/2016	Park	D14/250
D702,673 S *	4/2014	Murchison	D14/250	D749,553 S *	2/2016	Park	D14/250
D703,654 S	4/2014	Melanson et al.		D751,808 S *	3/2016	Agbeyo	D3/201
D703,656 S	4/2014	Witter et al.		2012/0043235 A1	2/2012	Klement	
D705,534 S *	5/2014	Manjerico	D3/218	2012/0244920 A1 *	9/2012	Lee	H04B 1/3888 455/575.8
D709,058 S	7/2014	Hemesath et al.		2013/0098788 A1	4/2013	McCarville et al.	
D709,869 S	7/2014	Witter et al.		2013/0257240 A1	10/2013	Hong	
				2014/0049142 A1	2/2014	Magness	

* cited by examiner

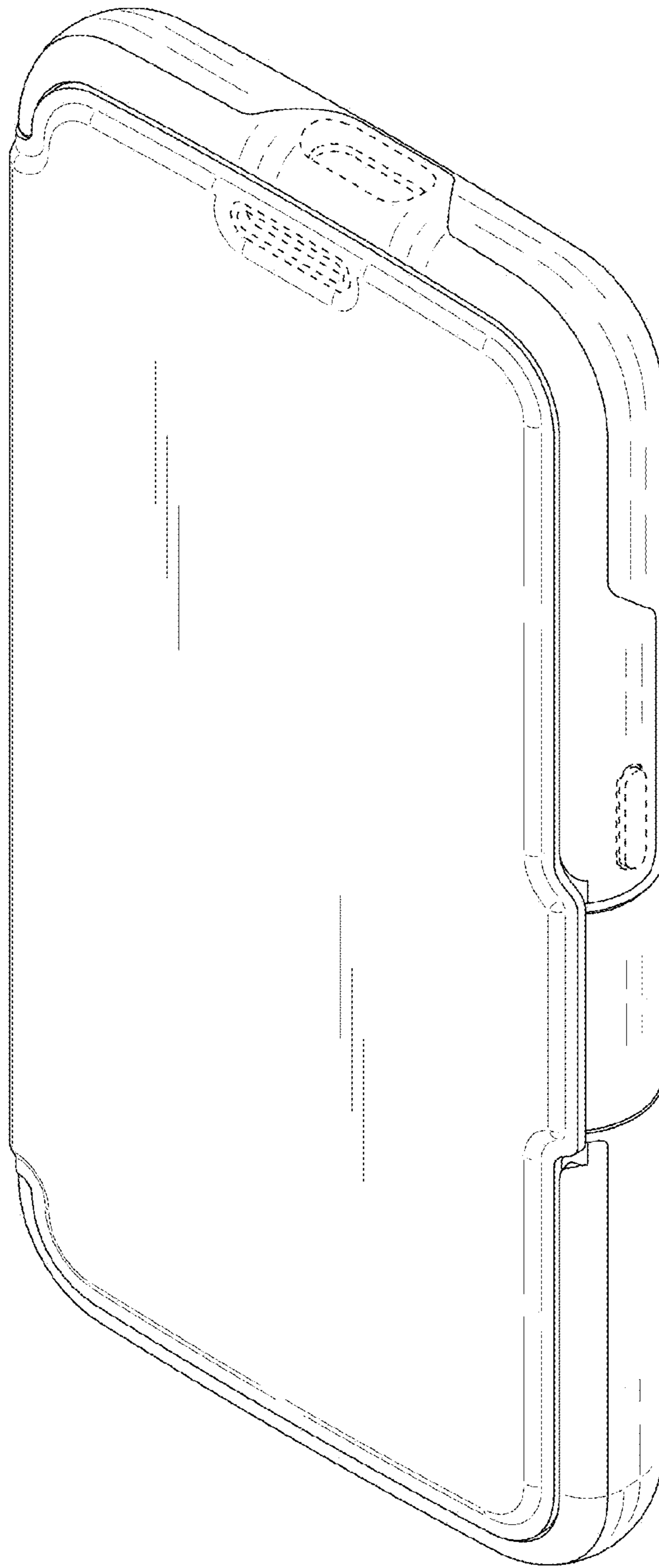


FIG. 1

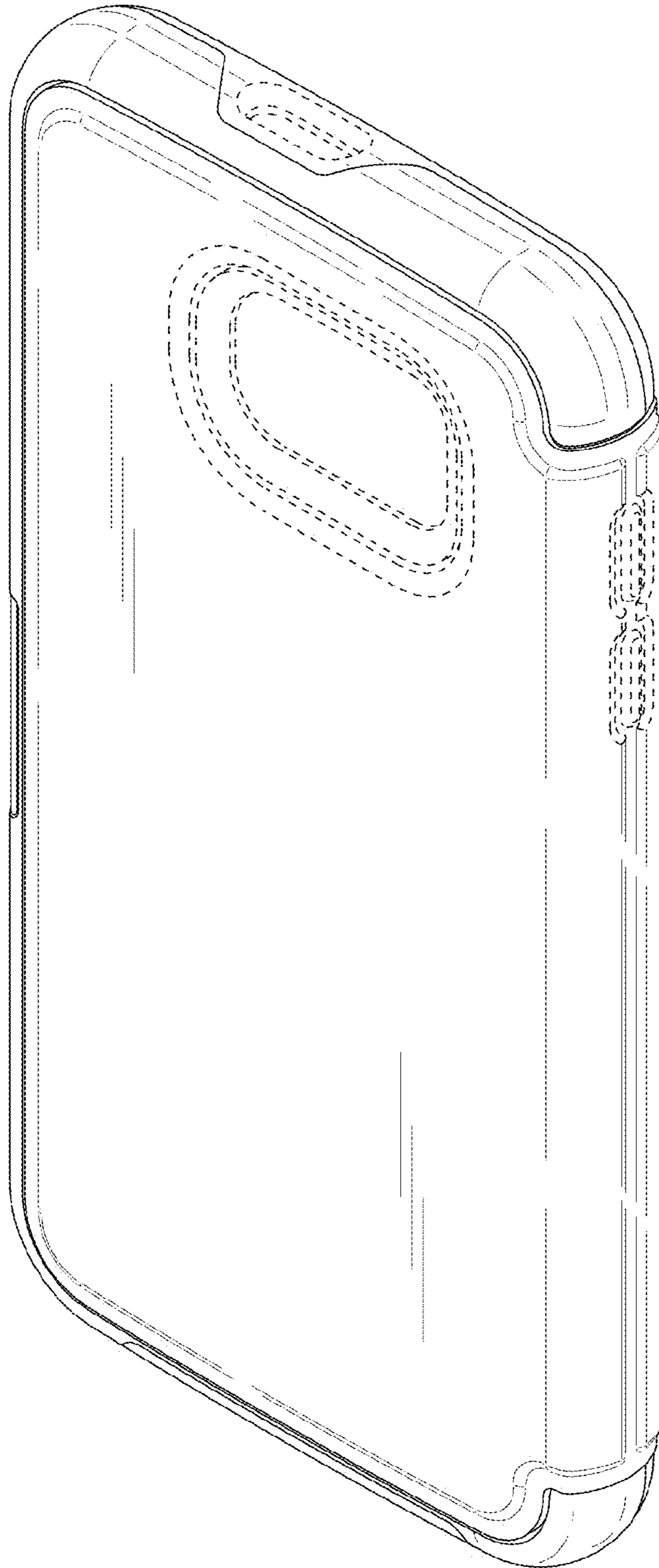


FIG. 2

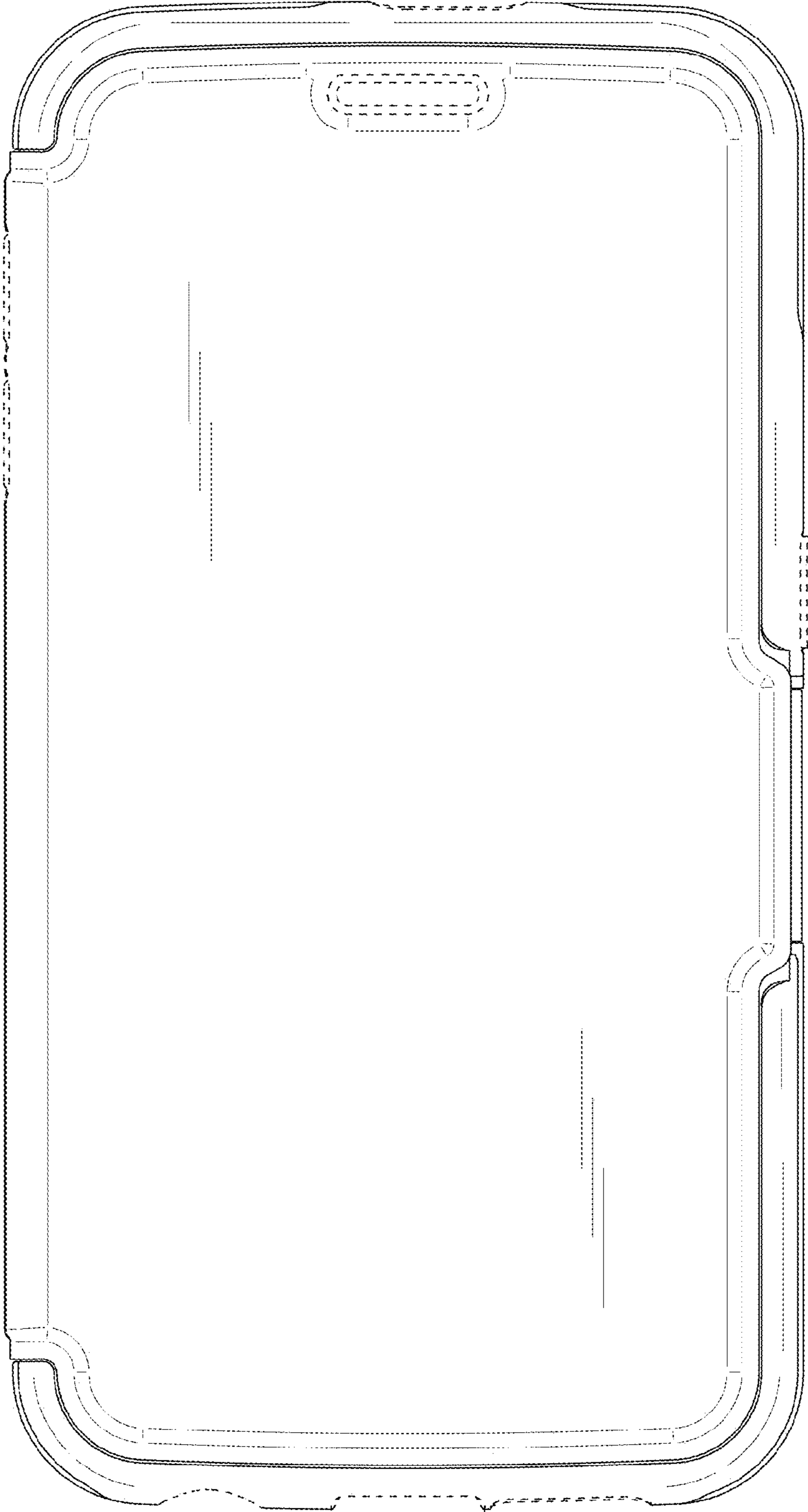


FIG. 3

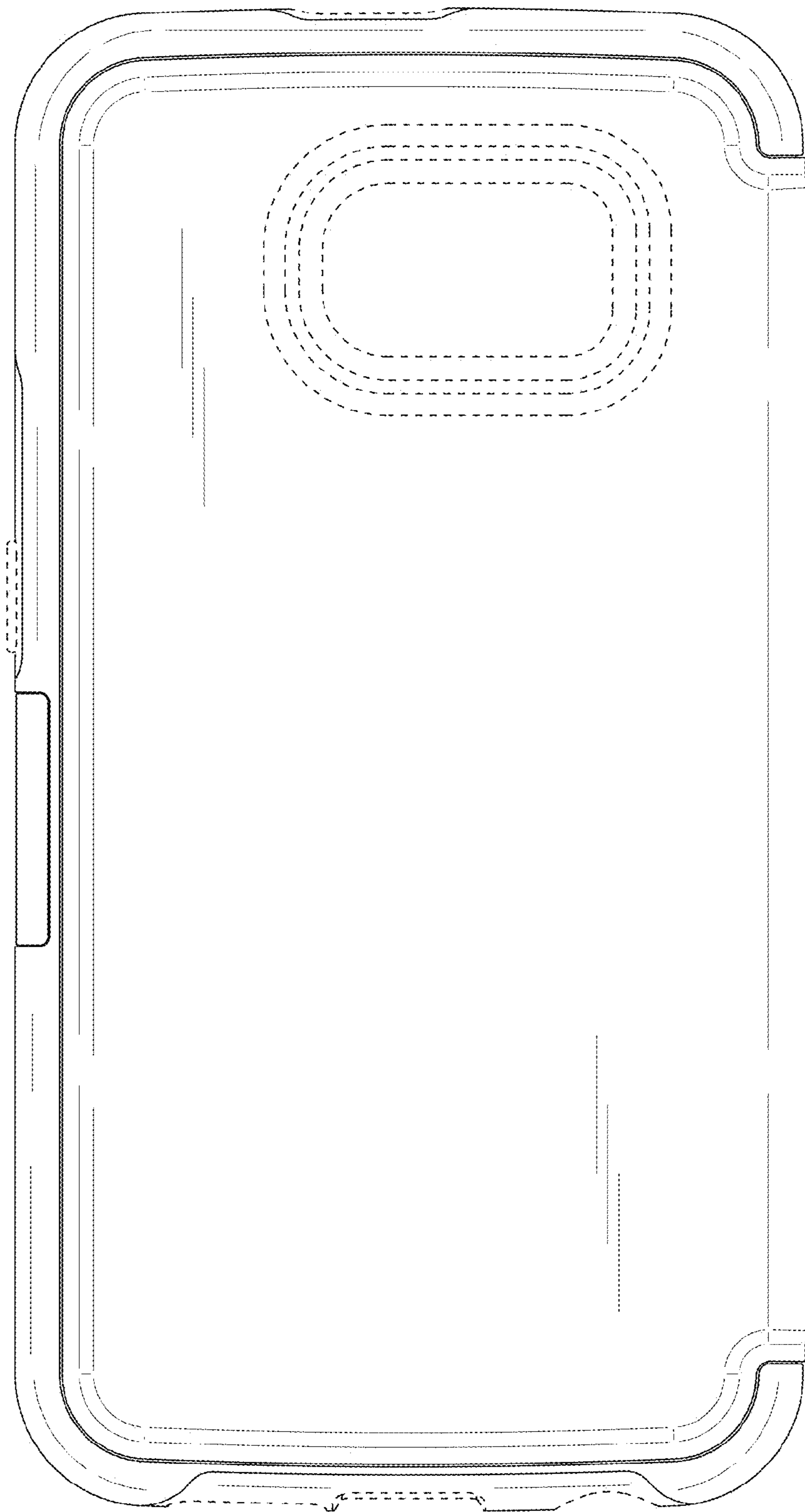


FIG. 4

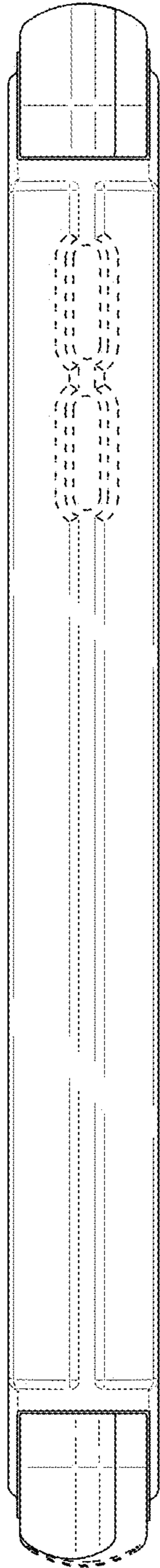


FIG. 5

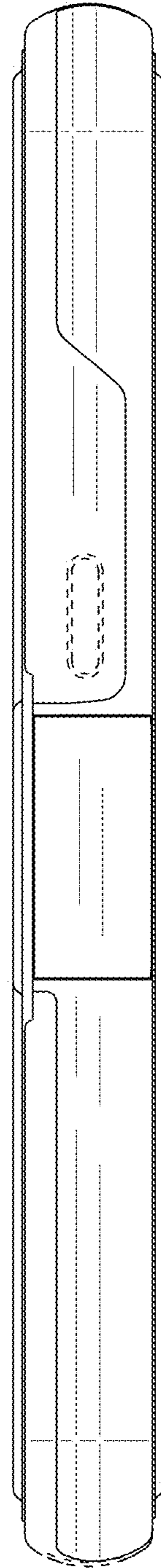


FIG. 6

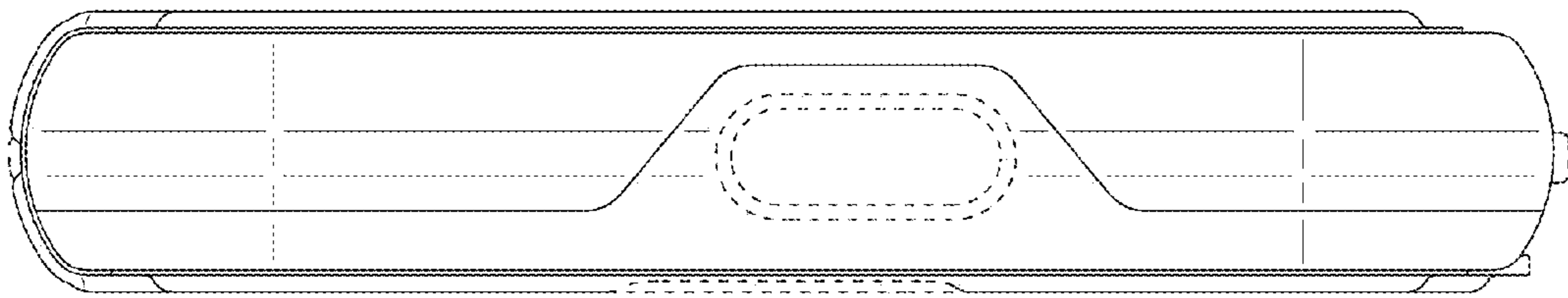


FIG. 7

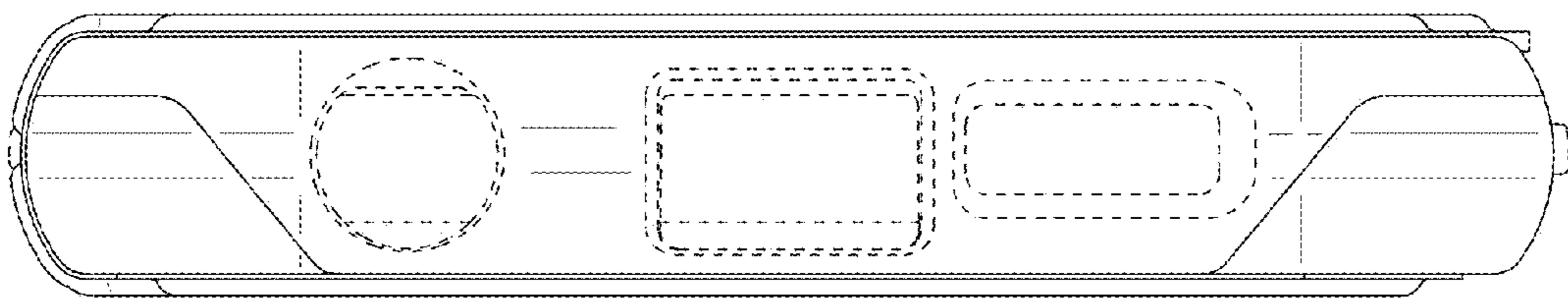


FIG. 8

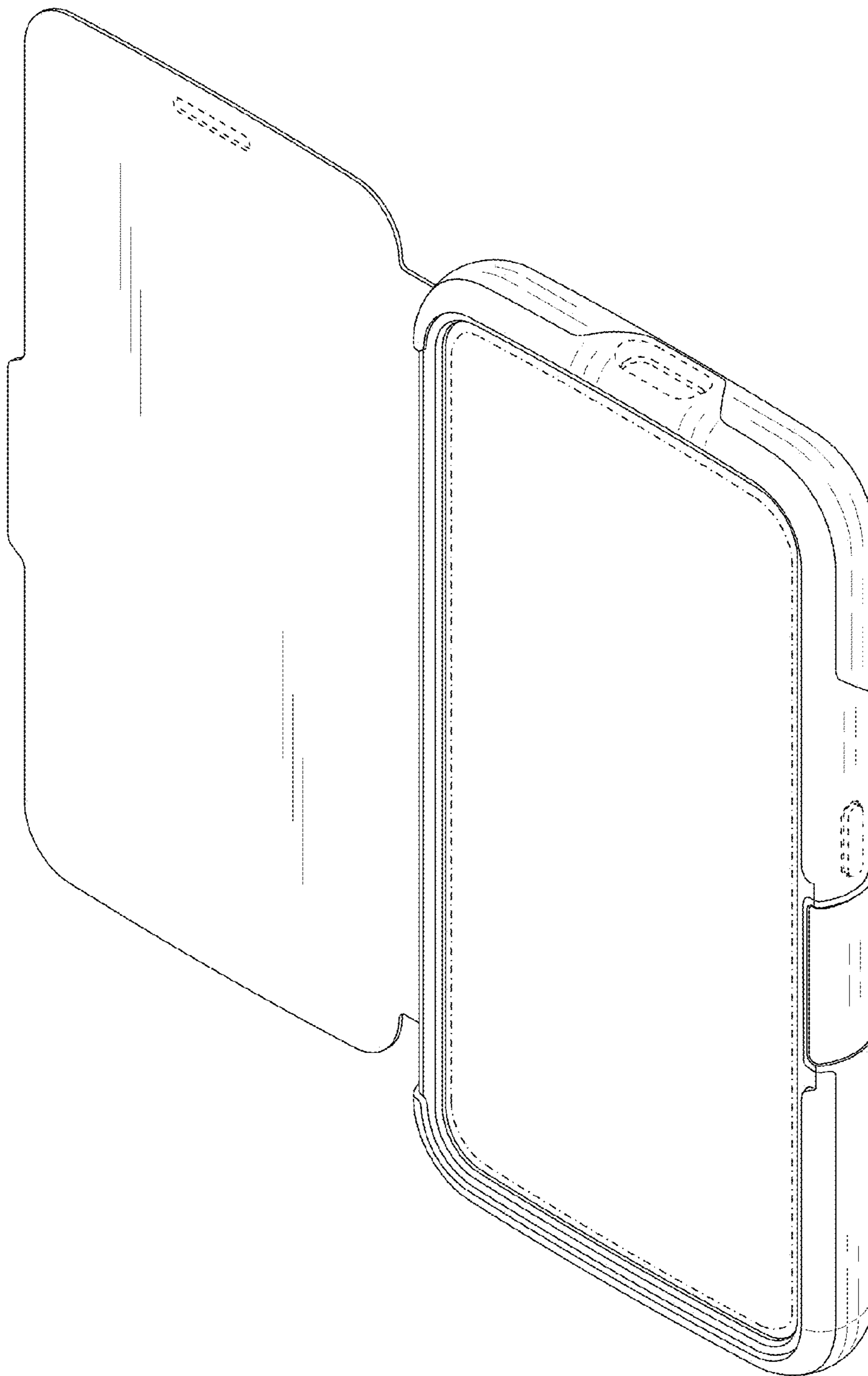


FIG. 9

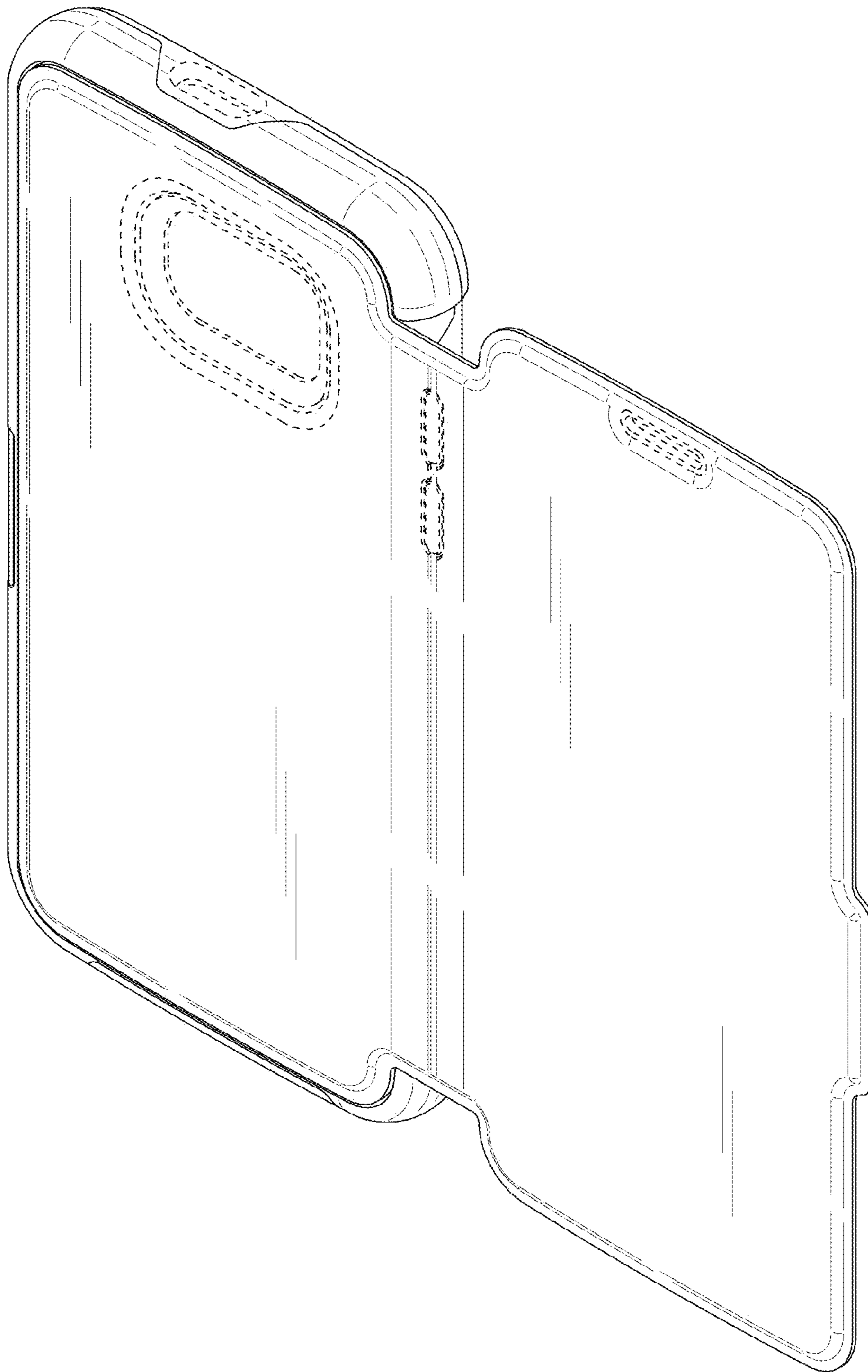


FIG. 10