



US00D765625S

(12) **United States Design Patent** (10) **Patent No.:** **US D765,625 S**
Akana et al. (45) **Date of Patent:** **** Sep. 6, 2016**

(54) **BATTERY FOR AN ELECTRONIC DEVICE**
(71) Applicant: **Apple Inc.**, Cupertino, CA (US)
(72) Inventors: **Jody Akana**, San Francisco, CA (US); **Bartley K. Andre**, Palo Alto, CA (US); **John B. Ardisana, II**, San Francisco, CA (US); **Jeremy Bataillou**, San Francisco, CA (US); **Sawyer Isaac Cohen**, Sunnyvale, CA (US); **Daniel J. Coster**, San Francisco, CA (US); **Ruchir Dave**, San Jose, CA (US); **Daniele De Iuliis**, San Francisco, CA (US); **M. Evans Hankey**, San Francisco, CA (US); **Julian Hoenig**, San Francisco, CA (US); **Richard P. Howarth**, San Francisco, CA (US); **Jonathan P. Ive**, San Francisco, CA (US); **Duncan Robert Kerr**, San Francisco, CA (US); **Shin Nishibori**, Kailua, HI (US); **David A. Pakula**, San Francisco, CA (US); **Scott P. Porter**, Cupertino, CA (US); **Matthew Dean Rohrbach**, San Francisco, CA (US); **Peter Russell-Clarke**, San Francisco, CA (US); **Ashutosh Y. Shukla**, Santa Clara, CA (US); **Jason Sloey**, Cedar Park, TX (US); **Ian Spraggs**, San Francisco, CA (US); **Christopher J. Stringer**, Woodside, CA (US); **Tang Yew Tan**, San Francisco, CA (US); **Eugene Antony Whang**, San Francisco, CA (US); **Michael Benjamin Wittenberg**, Sunnyvale, CA (US); **Charles B. Woodhull**, San Francisco, CA (US); **Rico Zörkendörfer**, San Francisco, CA (US)

(73) Assignee: **Apple Inc.**, Cupertino, CA (US)
(**) Term: **14 Years**
(21) Appl. No.: **29/510,611**
(22) Filed: **Dec. 1, 2014**

Related U.S. Application Data

(63) Continuation of application No. 29/431,725, filed on Sep. 10, 2012, now Pat. No. Des. 718,753.

(51) **LOC (10) Cl.** **14-03**

(52) **U.S. Cl.**
USPC **D14/248**

(58) **Field of Classification Search**
USPC D14/248, 214, 432; D13/103, 118, 119, D13/184, 199
CPC .. H01M 2/02; H01M 2/0202; H01M 2/1061; H01M 2/1022; H01M 2/1055; H01M 2/1066; H01M 2/105; H01M 2/104; Y02E 60/12; Y02E 60/122; Y02E 60/124; Y02E 60/50
See application file for complete search history.

(56) **References Cited**

U.S. PATENT DOCUMENTS

D310,367 S 9/1990 Dockery
D320,649 S 10/1991 Fleming

(Continued)

FOREIGN PATENT DOCUMENTS

TW 171302 10/1991
TW 518105 1/2003

OTHER PUBLICATIONS

Design U.S. Appl. No. 29/434,891, filed Oct. 17, 2012.

(Continued)

Primary Examiner — George D Kirschbaum

Assistant Examiner — Clese Moore, Jr.

(74) *Attorney, Agent, or Firm* — Sterne, Kessler, Goldstein & Fox P.L.L.C.

(57) **CLAIM**

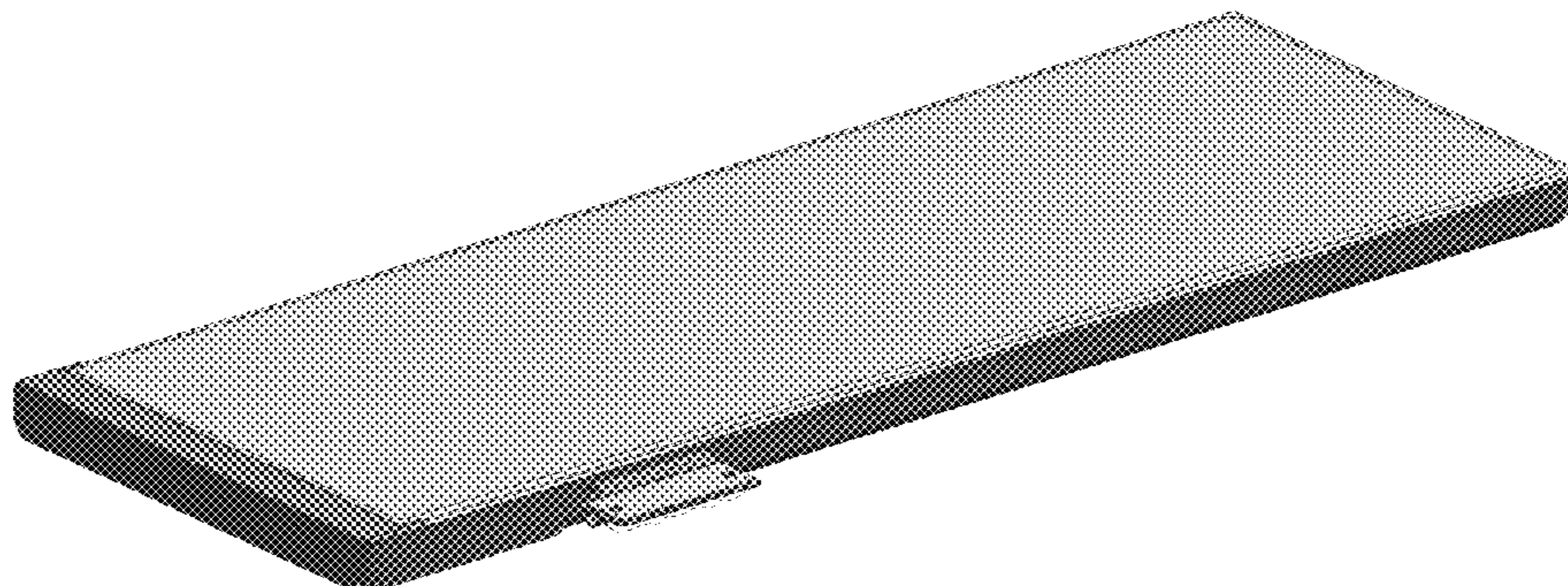
The ornamental design for a battery for an electronic device, as shown and described.

DESCRIPTION

FIG. 1 is a bottom front perspective view of a battery for an electronic device showing the claimed design; FIG. 2 is a front view thereof; FIG. 3 is a left side view thereof; FIG. 4 is a right side view thereof; and, FIG. 5 is a bottom view thereof.

The broken lines in the figures show portions of the battery for an electronic device that form no part of the claimed design.

1 Claim, 4 Drawing Sheets



(56)

References Cited

U.S. PATENT DOCUMENTS

D327,868 S 7/1992 Oka
 5,180,644 A 1/1993 Bresin et al.
 D337,984 S 8/1993 Lindahl
 D348,247 S 6/1994 Cooper
 5,326,651 A 7/1994 Mehta et al.
 D356,992 S 4/1995 Dilgard
 5,436,089 A 7/1995 Fedele
 D374,424 S 10/1996 Nagele et al.
 5,601,942 A 2/1997 Fedele
 D407,063 S 3/1999 Reis, Jr. et al.
 D409,973 S 5/1999 Iwamoto et al.
 D422,263 S 4/2000 Waldner
 D435,827 S 1/2001 Rausch et al.
 D440,201 S 4/2001 Huynh et al.
 D442,915 S 5/2001 Sasaoka
 D454,544 S 3/2002 Takach, Jr. et al.
 D460,411 S 7/2002 Wang
 D477,275 S 7/2003 Wada
 D479,193 S 9/2003 Fujihara et al.
 D485,530 S 1/2004 Ogasawara
 D489,325 S 5/2004 Nakamura
 D494,924 S 8/2004 Maruyama
 D495,992 S 9/2004 Lim
 6,884,540 B2 4/2005 Chikada
 D516,026 S 2/2006 Barrett et al.
 D517,478 S 3/2006 Bayat et al.
 D519,919 S 5/2006 Yokota
 D532,363 S 11/2006 Morisawa
 D535,249 S 1/2007 Ogaswara
 D538,225 S 3/2007 Lyman et al.
 D546,277 S 7/2007 Andre et al.
 D548,176 S * 8/2007 Eto D13/103
 D548,686 S * 8/2007 Eto D13/103
 7,595,129 B2 9/2009 Kato
 D614,124 S 4/2010 Mistyurik
 D625,263 S 10/2010 Takuma
 D635,506 S 4/2011 Morisawa

D637,157 S 5/2011 Andre et al.
 D637,193 S 5/2011 Andre et al.
 D642,515 S 8/2011 Crawford et al.
 D653,611 S * 2/2012 Lee D13/102
 D655,673 S 3/2012 Masui
 D658,583 S 5/2012 Andre et al.
 8,168,319 B2 5/2012 Spare et al.
 D669,427 S * 10/2012 Ignor D13/103
 D669,849 S 10/2012 Morisawa
 8,309,245 B2 11/2012 Coish et al.
 D672,713 S 12/2012 Masui
 D677,620 S * 3/2013 Corbin D13/103
 D678,184 S 3/2013 Banko et al.
 D678,188 S 3/2013 Sasada
 D684,529 S 6/2013 Moon et al.
 D684,530 S 6/2013 Moon et al.
 D684,531 S * 6/2013 Moon D13/103
 D684,532 S * 6/2013 Ignor D13/103
 D684,926 S * 6/2013 Murchison D13/107
 D685,319 S * 7/2013 Ignor D13/103
 D685,731 S * 7/2013 Brown D13/103
 D686,147 S 7/2013 Morisawa
 D686,148 S * 7/2013 Inaba D13/103
 D689,018 S * 9/2013 Honda D13/103
 D692,823 S 11/2013 Tanaka
 D693,292 S * 11/2013 Salvi D13/103
 D697,479 S 1/2014 Andre et al.
 8,703,322 B2 4/2014 Lee et al.
 D708,128 S 7/2014 Andre et al.
 D709,823 S * 7/2014 Corley D13/103
 D711,311 S * 8/2014 Corbin D13/103
 D719,085 S * 12/2014 Aoyagi D13/103
 D719,087 S * 12/2014 Bataillou D13/103
 D743,399 S * 11/2015 Frank D14/435
 2002/0094475 A1 7/2002 Aoyama

OTHER PUBLICATIONS

Design U.S. Appl. No. 29/450,501, filed Mar. 18, 2013.

* cited by examiner

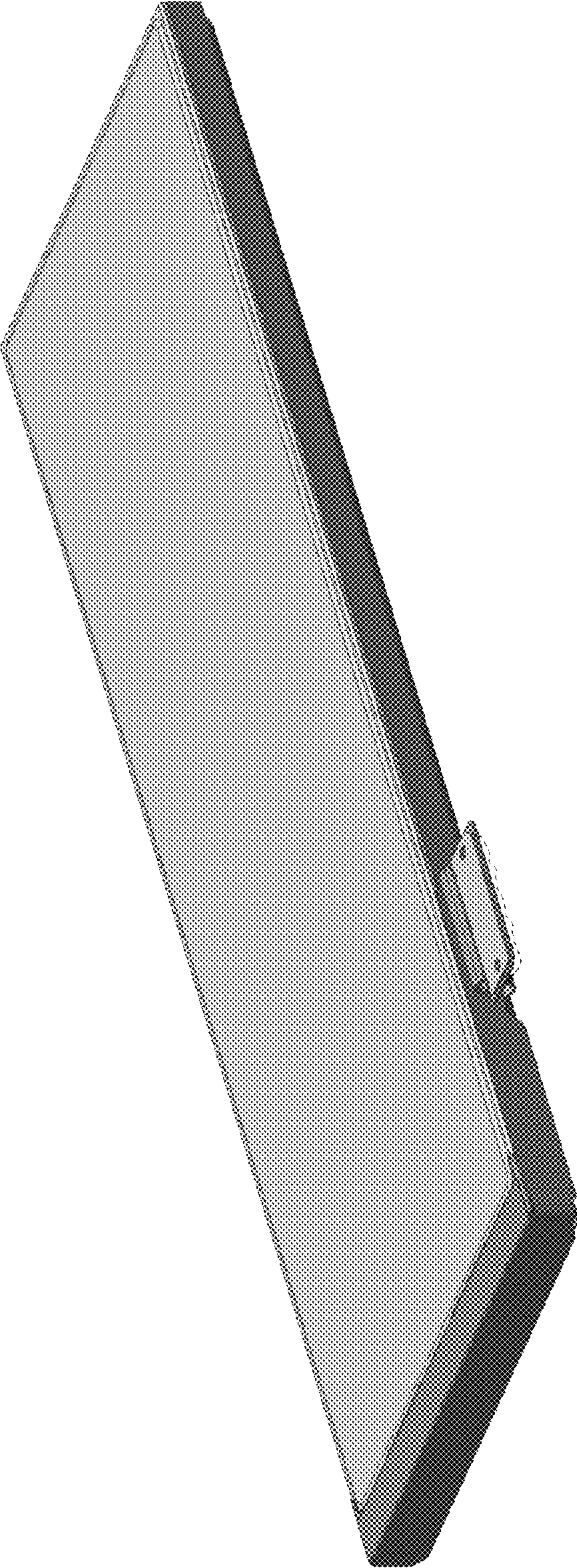


FIG. 1

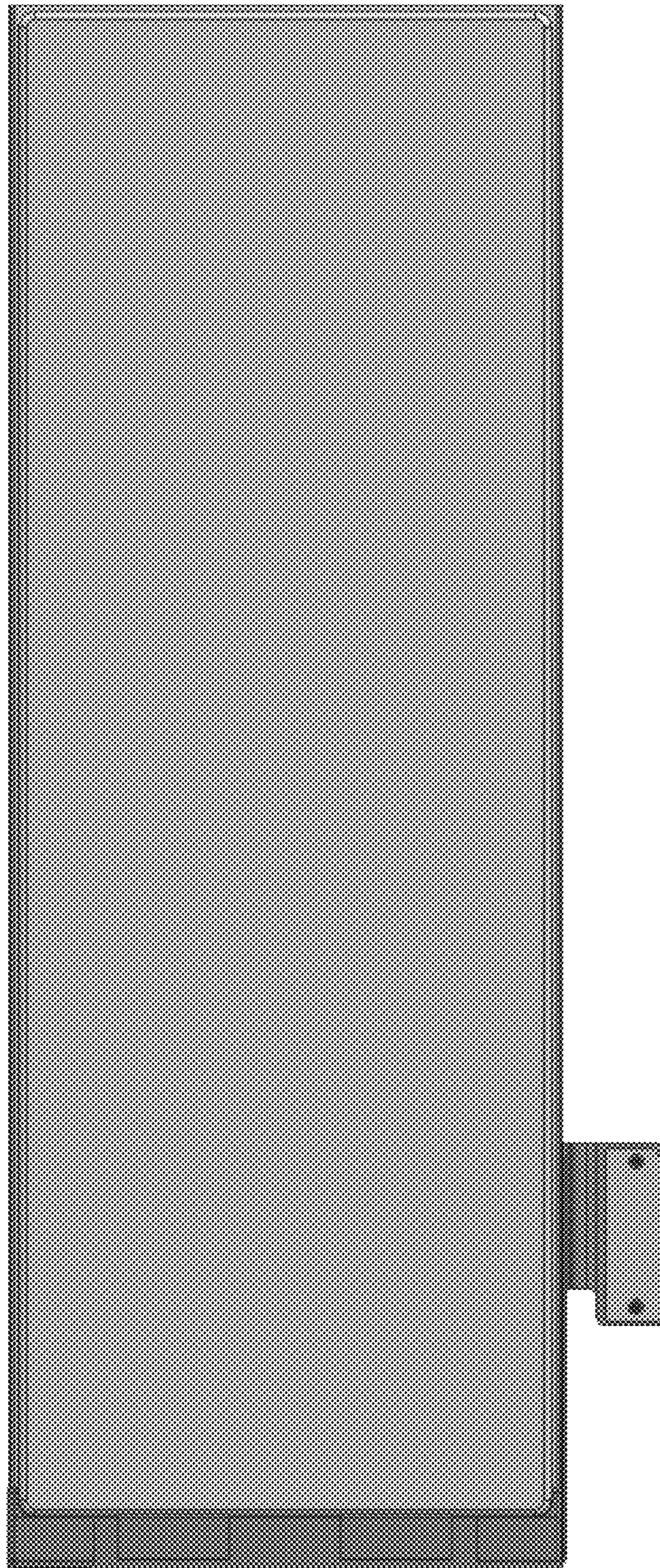


FIG. 2



FIG. 3

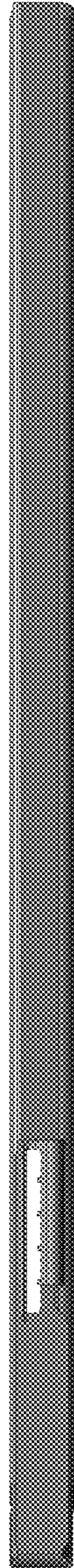


FIG. 4



FIG. 5