



US00D765621S

(12) **United States Design Patent** (10) **Patent No.:** **US D765,621 S**
Lee (45) **Date of Patent:** **** Sep. 6, 2016**

(54) **ANTENNA**
(71) Applicant: **GRAND-TEK TECHNOLOGY CO., LTD.**, New Taipei (TW)
(72) Inventor: **Ta-Lun Lee**, New Taipei (TW)
(73) Assignee: **GRAND-TEK TECHNOLOGY CO., LTD.**, New Taipei (TW)
(**) Term: **14 Years**
(21) Appl. No.: **29/507,018**
(22) Filed: **Oct. 23, 2014**
(30) **Foreign Application Priority Data**

Apr. 23, 2014 (TW) 103302359

(51) **LOC (10) Cl.** **04-01**
(52) **U.S. Cl.**
USPC **D14/218**
(58) **Field of Classification Search**
USPC D14/230-238, 299, 358; D19/186;
D25/126; D21/316, 726, 756-757,
D21/782; D22/137; D8/14, 71, 300, 321,
D8/10; D32/49
CPC H01Q 7/00; H01Q 13/10; H01Q 9/285;
H01Q 1/08; H01Q 3/443; H01Q 19/30;
H01Q 19/12; H01Q 1/38; H01Q 9/14;
H01Q 1/125; H01Q 15/161; H01Q 15/162;
B29D 22/00; B32B 17/08; A63D 15/08;
A63D 15/086
See application file for complete search history.

(56) **References Cited**

U.S. PATENT DOCUMENTS

83,397 A * 10/1868 McIntire A63D 15/086
473/48
2,158,271 A * 5/1939 Buschbeck H01Q 9/14
333/35
2,234,234 A * 3/1941 Cork H01Q 21/10
333/12
2,428,391 A * 10/1947 Smith H01Q 1/08
174/139
3,474,453 A * 10/1969 Ireland H01Q 9/14
343/745

3,490,025 A * 1/1970 Pickles H01Q 1/525
343/792

(Continued)

FOREIGN PATENT DOCUMENTS

JP D1033257 * 7/2000
JP D1378481 * 1/2010

(Continued)

OTHER PUBLICATIONS

Need help on a M11 Radio—RC Groups, post date Sep. 2008,
online, <http://www.rcgroups.com/forums/showthread.php?t=2070877>, [site visited Dec. 8, 2015 9:58:15 PM].*

(Continued)

Primary Examiner — John Windmuller

Assistant Examiner — John R Yeh

(74) *Attorney, Agent, or Firm* — Chun-Ming Shih; HDLS
IPR Services

(57) **CLAIM**

The ornamental design for an antenna, as shown and described.

DESCRIPTION

FIG. 1 is a perspective view of an antenna showing our new design;

FIG. 2 is a front view thereof;

FIG. 3 is a rear view thereof;

FIG. 4 is a left side view thereof;

FIG. 5 is a right side view thereof;

FIG. 6 is a top view thereof;

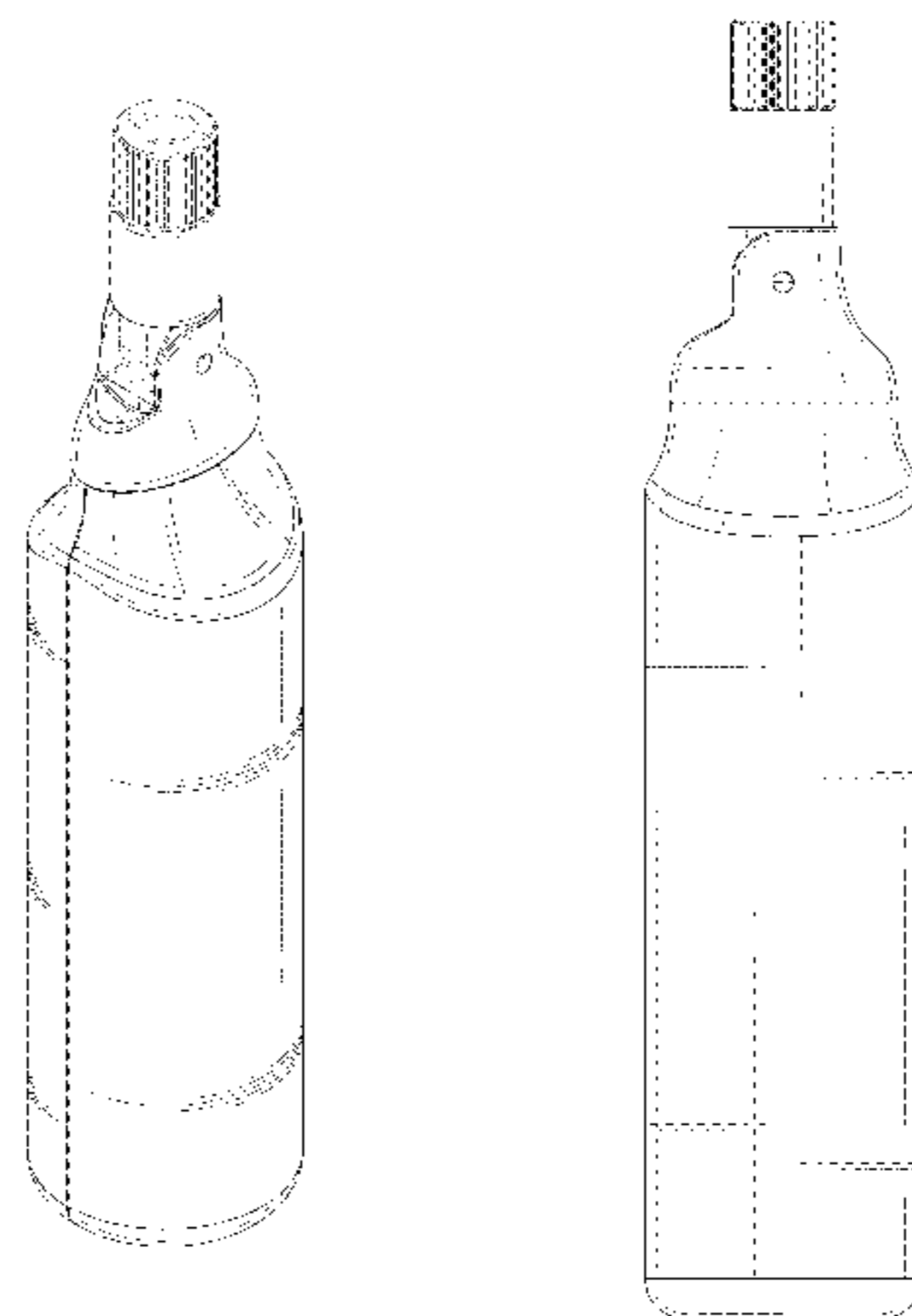
FIG. 7 is a bottom view thereof; and

FIG. 8 is the second perspective view showing the antenna; and,

FIG. 9 is a perspective view of connection of the antenna for reference.

The broken lines depict parts of the antenna that form no part of the claimed design.

1 Claim, 8 Drawing Sheets



(56)

References Cited

U.S. PATENT DOCUMENTS

D223,603 S * 5/1972 Takagi et al. D14/234
 D259,115 S * 5/1981 Steinhofner D14/234
 D281,779 S * 12/1985 Lilly D14/230
 D325,914 S * 5/1992 Tezuka D14/230
 D330,555 S * 10/1992 Lilly D14/238
 D333,469 S * 2/1993 Tezuka D14/230
 5,665,003 A * 9/1997 LeBeau A63D 15/08
 473/44
 5,865,390 A * 2/1999 Ivesges H01Q 9/14
 242/375
 6,914,578 B1 * 7/2005 Menahem H01Q 1/125
 343/765
 7,466,288 B2 * 12/2008 Huang H01Q 1/1207
 343/702
 D625,573 S * 10/2010 Bonzer D8/107
 8,590,092 B2 * 11/2013 Dickie A46B 5/0062
 15/22.1
 2003/0008685 A1 * 1/2003 Van Buren H01Q 1/1285
 455/562.1
 2004/0169114 A1 * 9/2004 Dierkes F16M 13/02
 248/165

2006/0273979 A1* 12/2006 Chan H01Q 1/084
 343/906
 2008/0198003 A1* 8/2008 Nix G01S 3/40
 340/539.13

FOREIGN PATENT DOCUMENTS

KR 300627298.0000 * 1/2012
 KR 300644249.0000 * 6/2012

OTHER PUBLICATIONS

Antenna 2G/3G 3" hinged with SMA connector | Red Lion, website
 copyright 2015, online, <http://www.redlion.net/product/antenna-2g3g-3-hinged-sma-connector>, [site visited Dec. 8, 2015 9:53:07 PM].*
 Themin World—dewster post date Feb. 17, 2012, online, <http://www.theminworld.com/Forums/T/28554?Page=94>, [site visited Dec. 8, 2015 10:00:06 PM].*

* cited by examiner

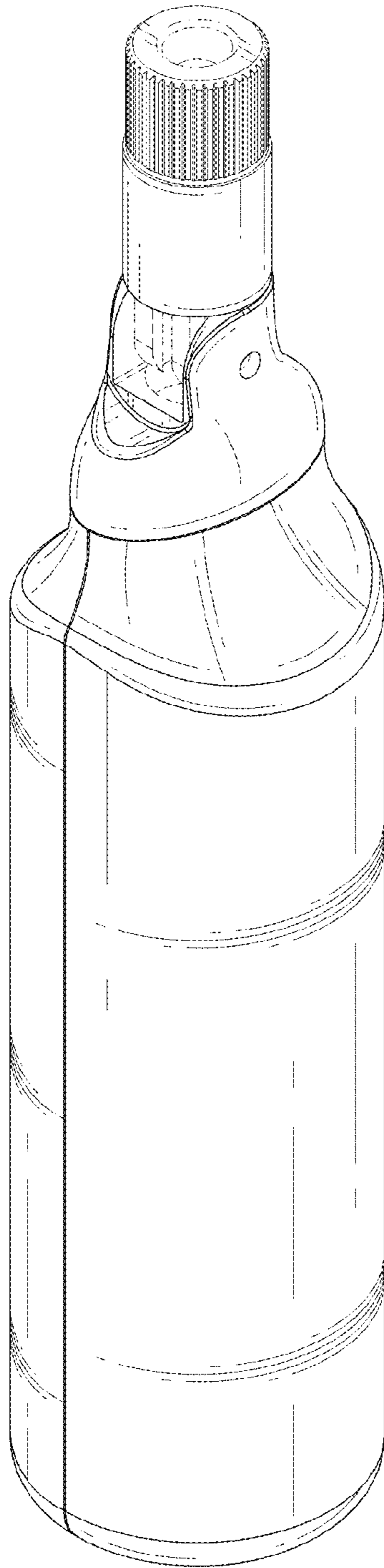


FIG.1

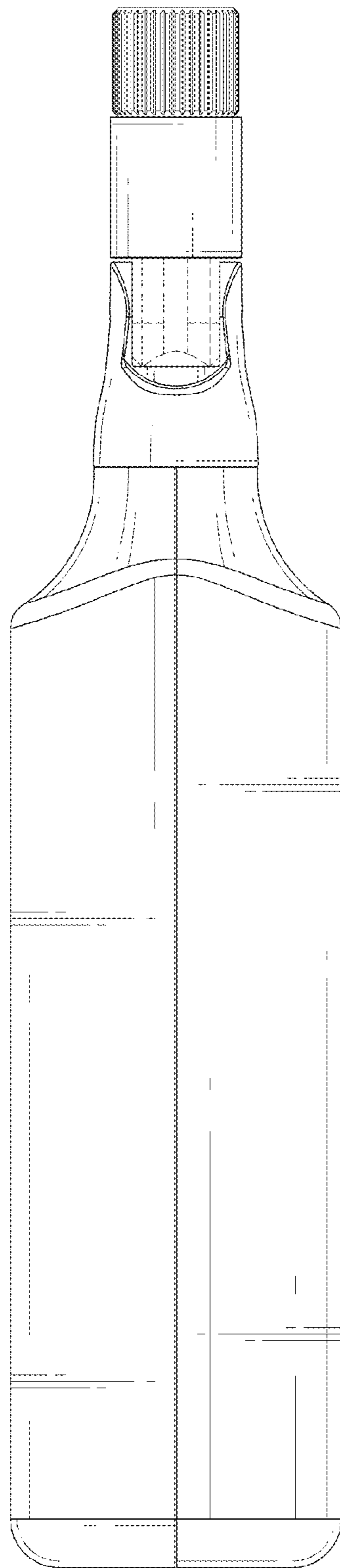


FIG. 2

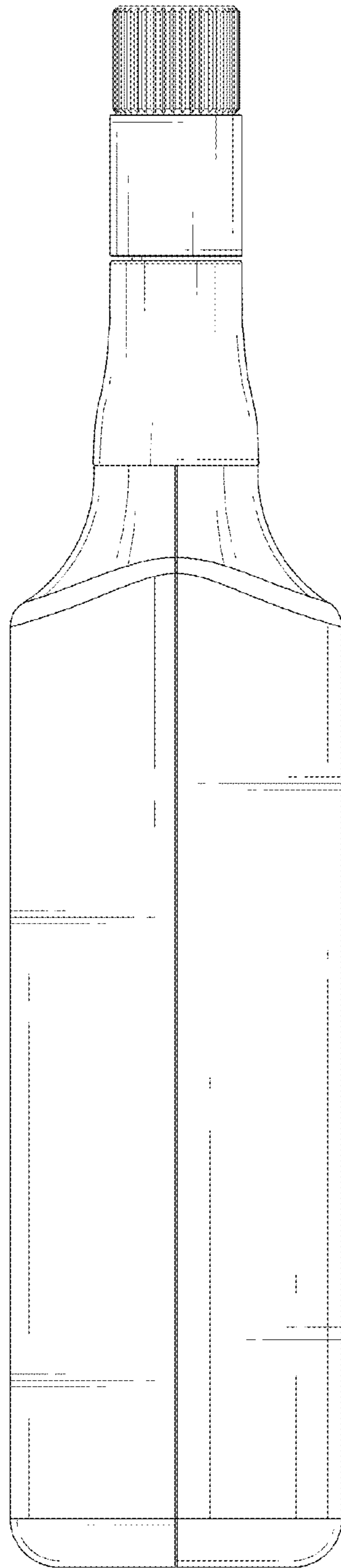


FIG.3

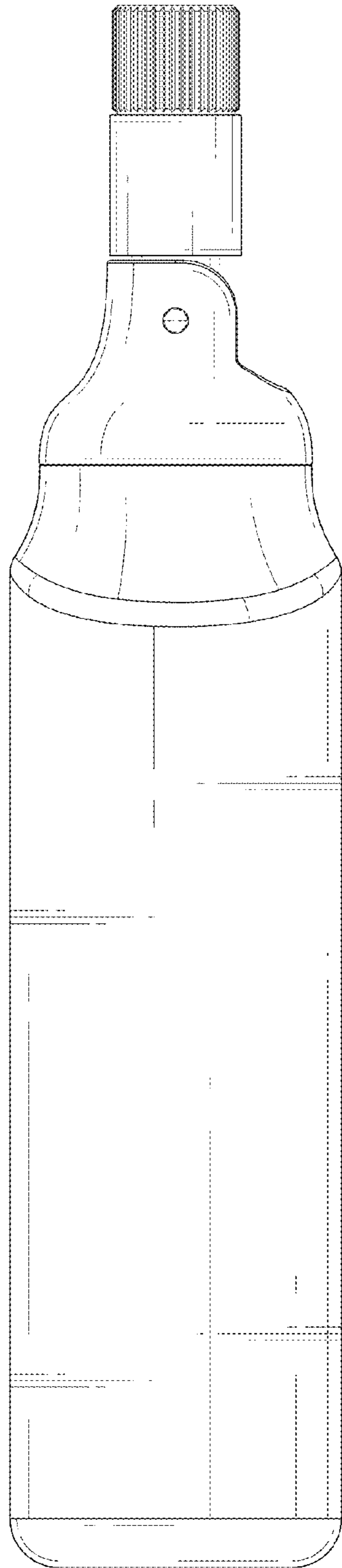


FIG.4

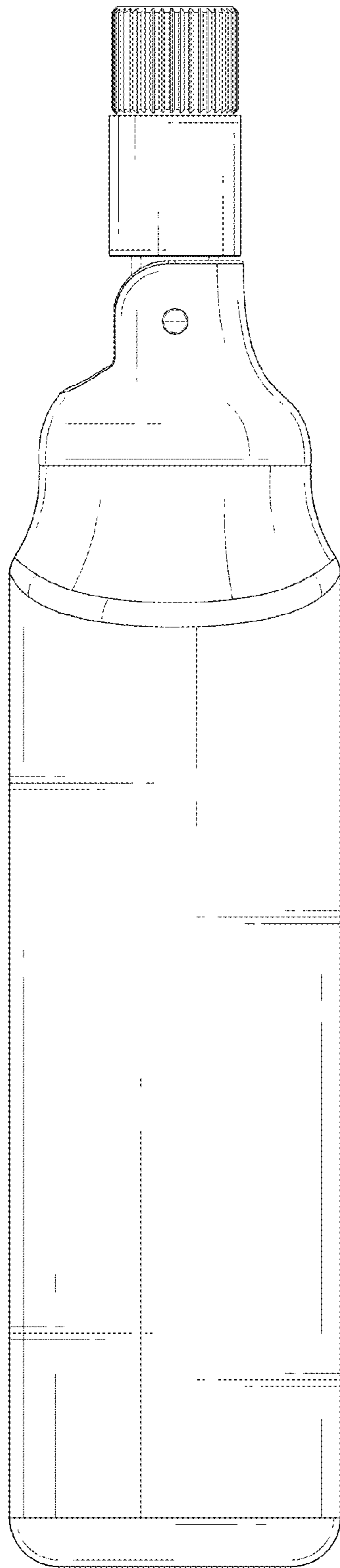


FIG.5

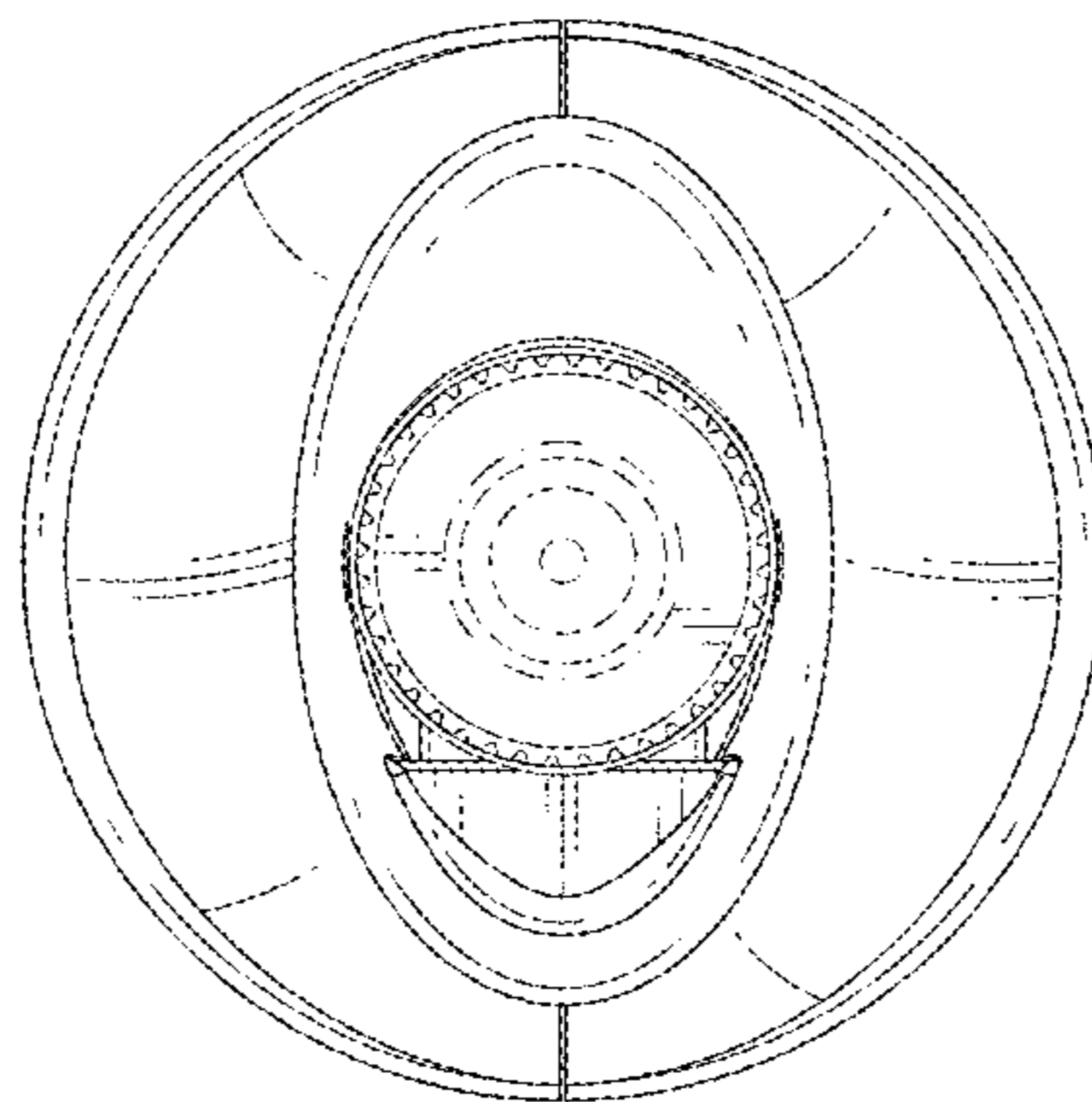


FIG. 6

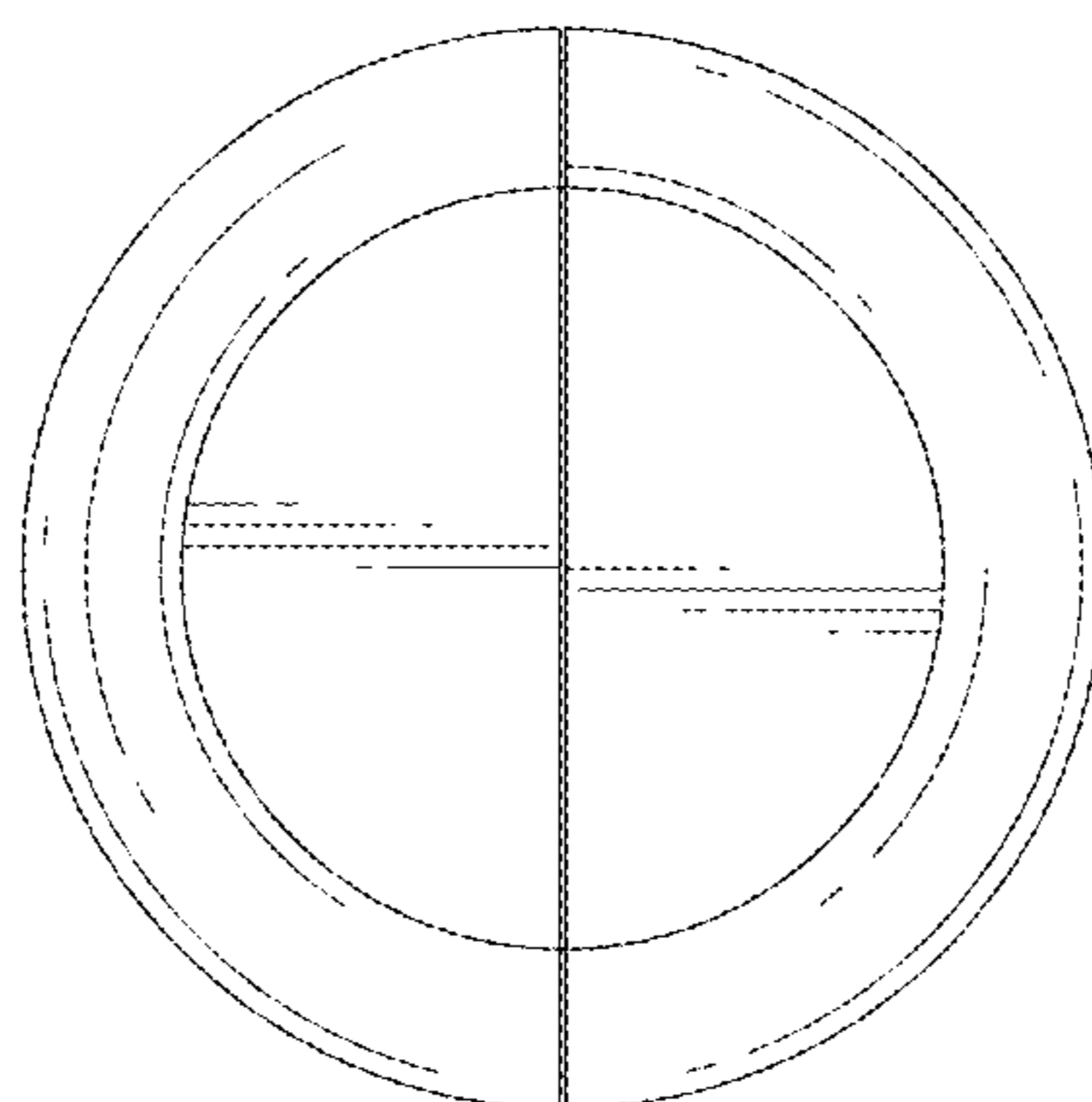


FIG. 7

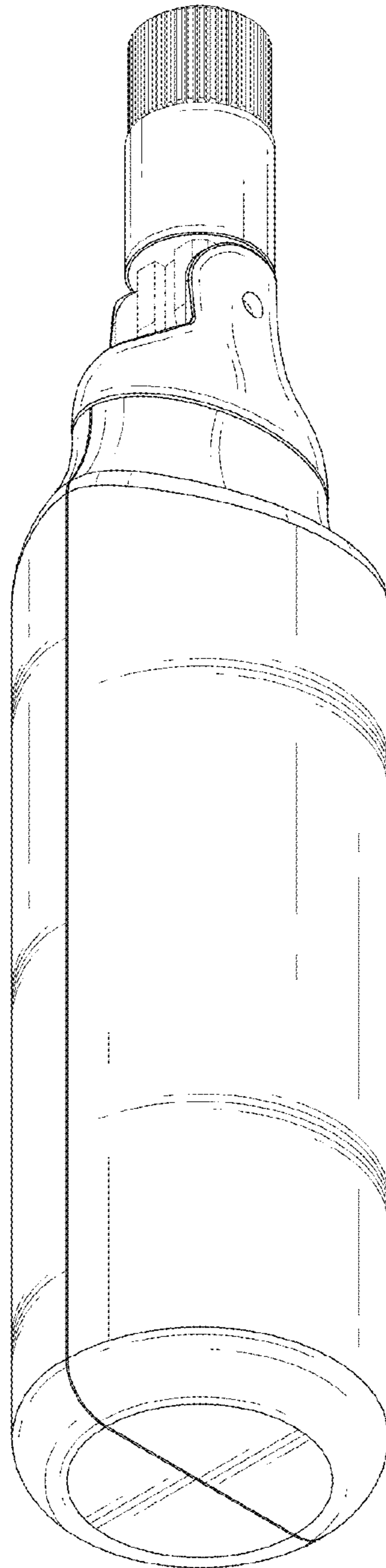


FIG.8

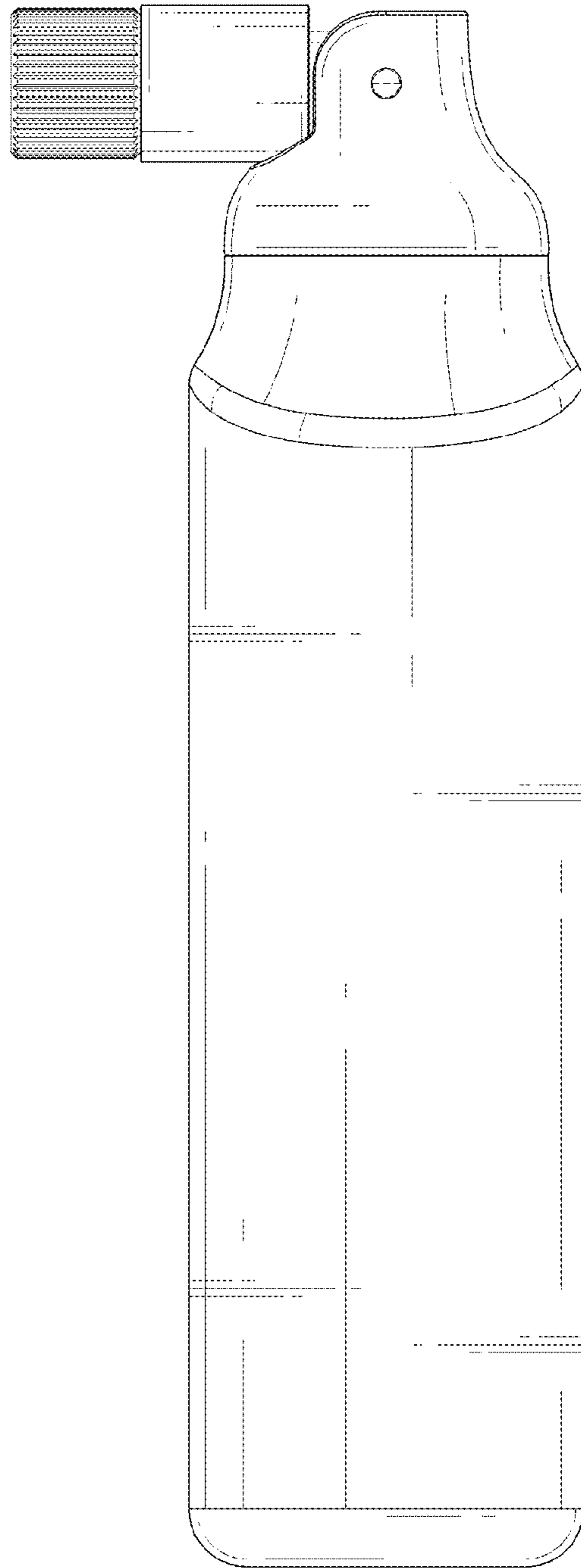


FIG. 9