

US00D765620S

(12) **United States Design Patent**
Kitamura

(10) **Patent No.:** **US D765,620 S**

(45) **Date of Patent:** **** Sep. 6, 2016**

(54) **MEDIA PLAYER**

H04H 60/05; H04H 60/91; H04R 3/00;
H04R 3/005; H04R 5/04; H04R 2205/021;
H04R 2499/11

(71) Applicant: **Pioneer DJ CORPORATION**,
Kawasaki-shi, Kanagawa (JP)

See application file for complete search history.

(72) Inventor: **Meiji Kitamura**, Kawasaki (JP)

(56) **References Cited**

(73) Assignee: **Pioneer DJ CORPORATION**,
Kawasaki-shi, Kanagawa (JP)

U.S. PATENT DOCUMENTS

(**) Term: **15 Years**

D500,307 S	*	12/2004	Ishizaki	D14/217
D518,814 S	*	4/2006	Shim	D14/168
D553,118 S	*	10/2007	Williamson	D14/168
D560,203 S	*	1/2008	Williamson	D14/168
D578,514 S	*	10/2008	Mazur	D14/168
D676,424 S	*	2/2013	Ohashi	D14/217

(21) Appl. No.: **29/532,431**

* cited by examiner

(22) Filed: **Jul. 7, 2015**

(30) **Foreign Application Priority Data**

Jan. 9, 2015 (JP) 2015-000346

Primary Examiner — Daniel Bui

(51) **LOC (10) Cl.** **14-03**

Assistant Examiner — Khawaja Anwar

(52) **U.S. Cl.**

(74) *Attorney, Agent, or Firm* — Drinker Biddle & Reath LLP

USPC **D14/217**

(58) **Field of Classification Search**

(57) **CLAIM**

USPC D14/217, 257, 258, 434, 496, 162, 167,
D14/175, 188, 196-198

I claim the ornamental design for a media player, as shown and described.

CPC G06F 1/1626; G06F 1/1688; G10H 1/46;
G10H 1/0008; G10H 1/0025; G10H 3/186;
G10H 2210/125; G10H 2240/125; G10H
2240/131; G10H 2240/175; G10H 2250/035;
G10L 19/008; G10L 19/167; H03G 3/00;
H03G 3/04; H03G 3/3005; H03G 3/3089;
H03G 5/00; H03G 5/005; H03G 5/025;
H03G 9/18; G11B 19/02; G11B 20/10527;
G11B 27/00; G11B 27/34; G11B 27/031;
G11B 27/034; G11B 27/038; G11B 27/105;
G11B 33/025; H04H 3/186; H04H 60/04;

DESCRIPTION

FIG. 1 is a perspective view of a media player, showing my new design.
FIG. 2 is a front view thereof.
FIG. 3 is a rear view thereof.
FIG. 4 is a left-side view thereof.
FIG. 5 is a right-side view thereof.
FIG. 6 is a top view thereof; and,
FIG. 7 is a bottom view thereof.

1 Claim, 7 Drawing Sheets

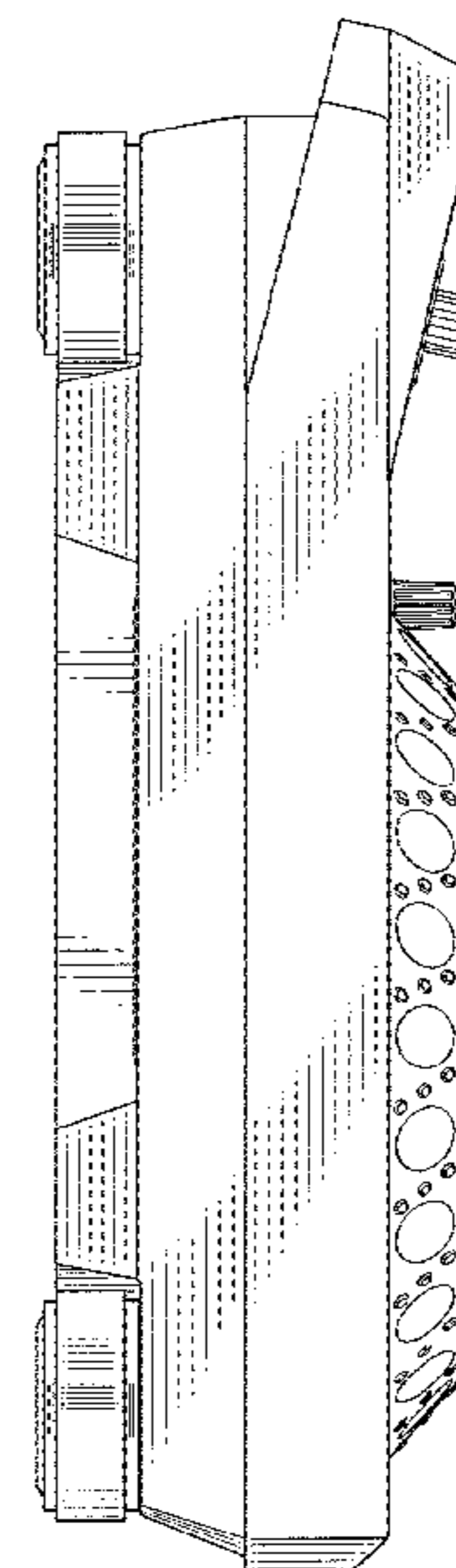
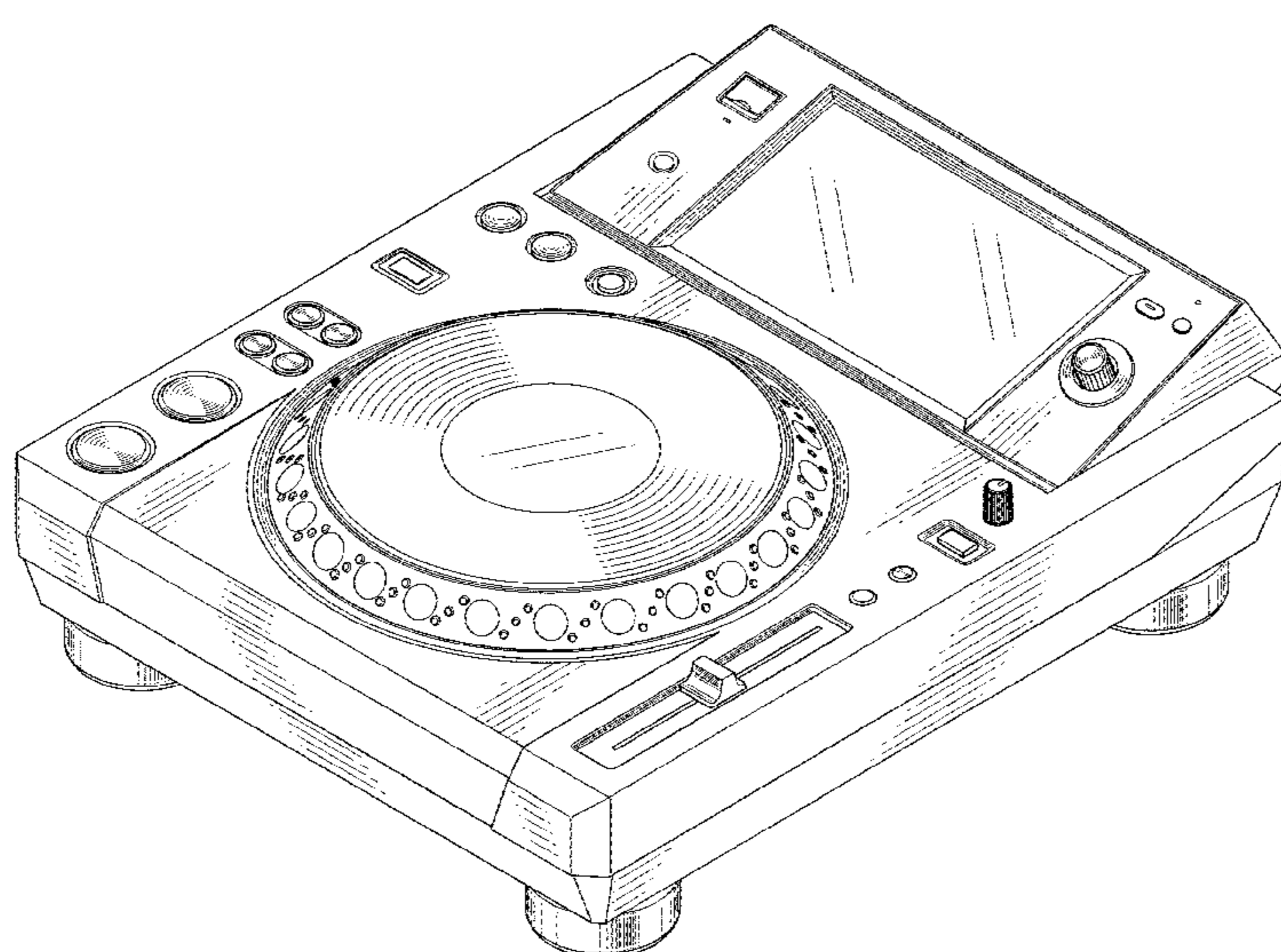


FIG. 1

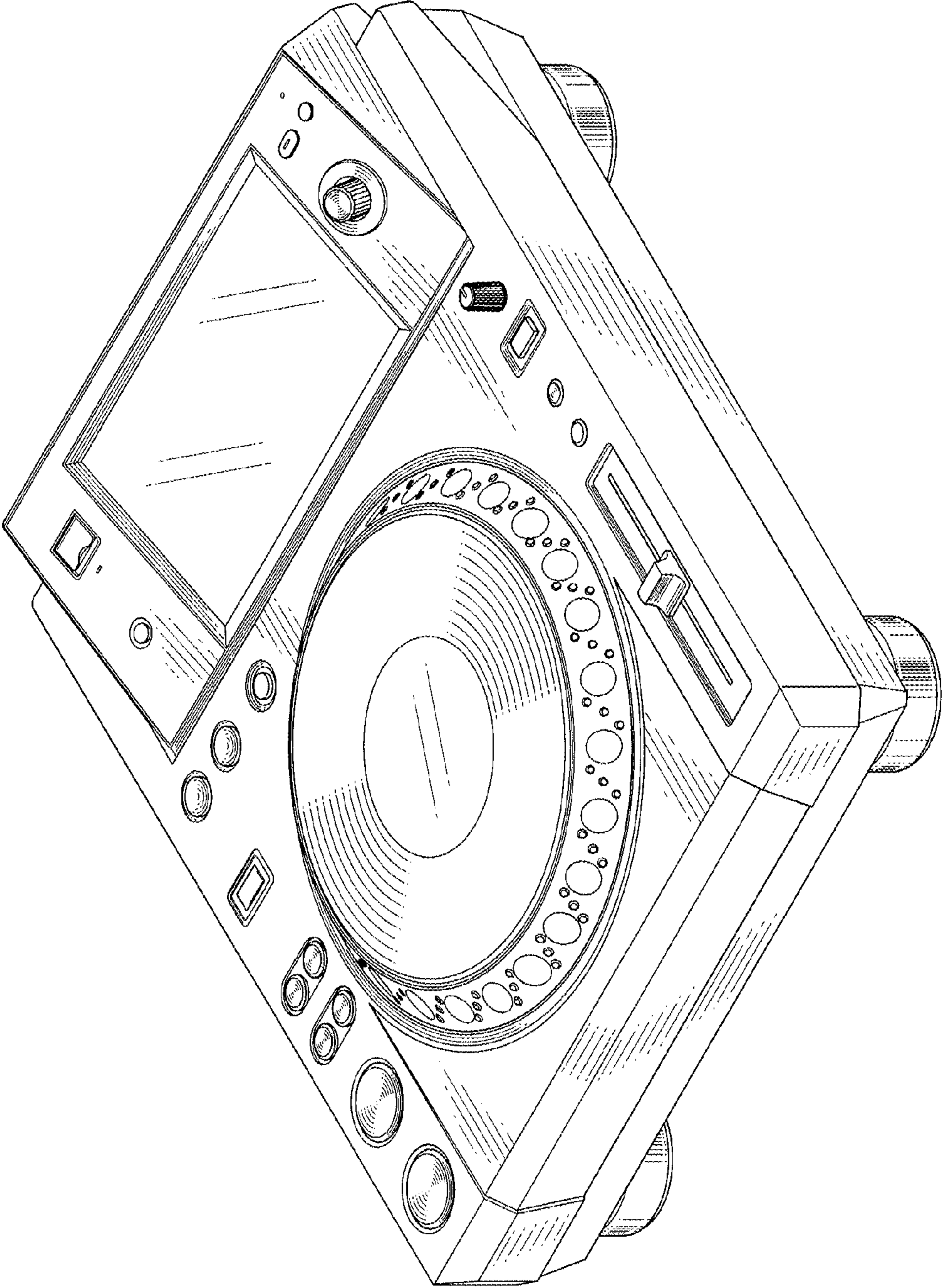


FIG. 2

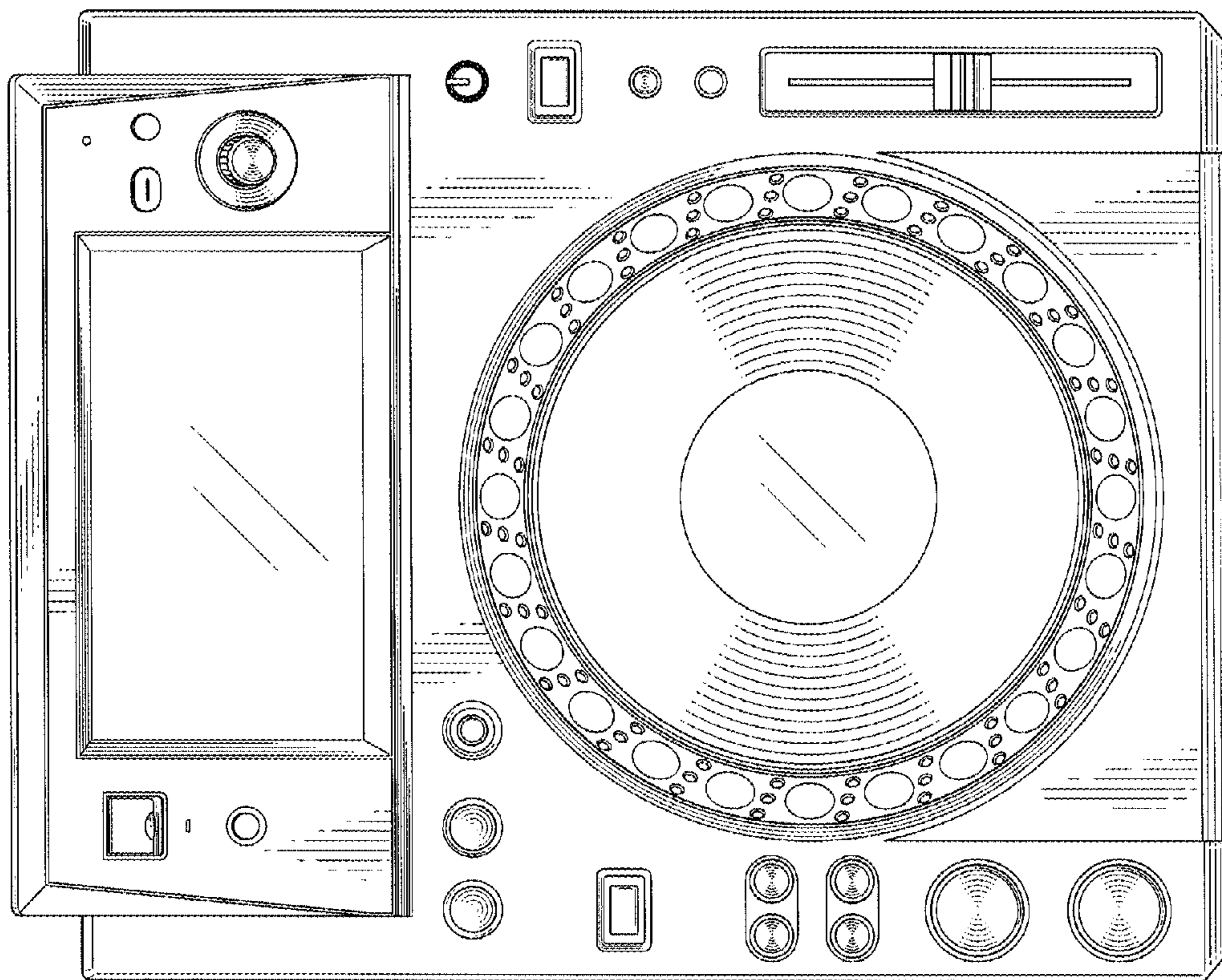


FIG. 3

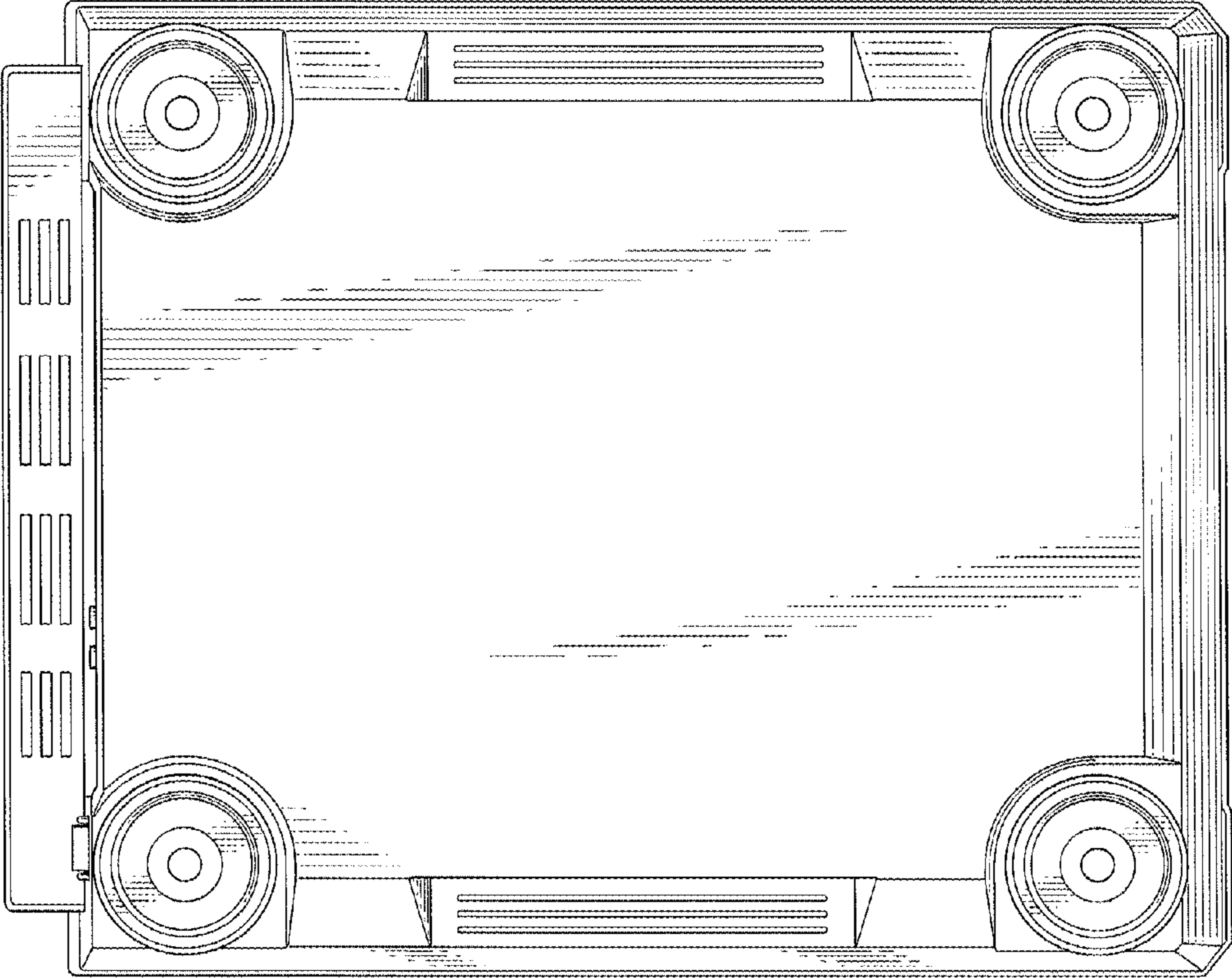


FIG. 4

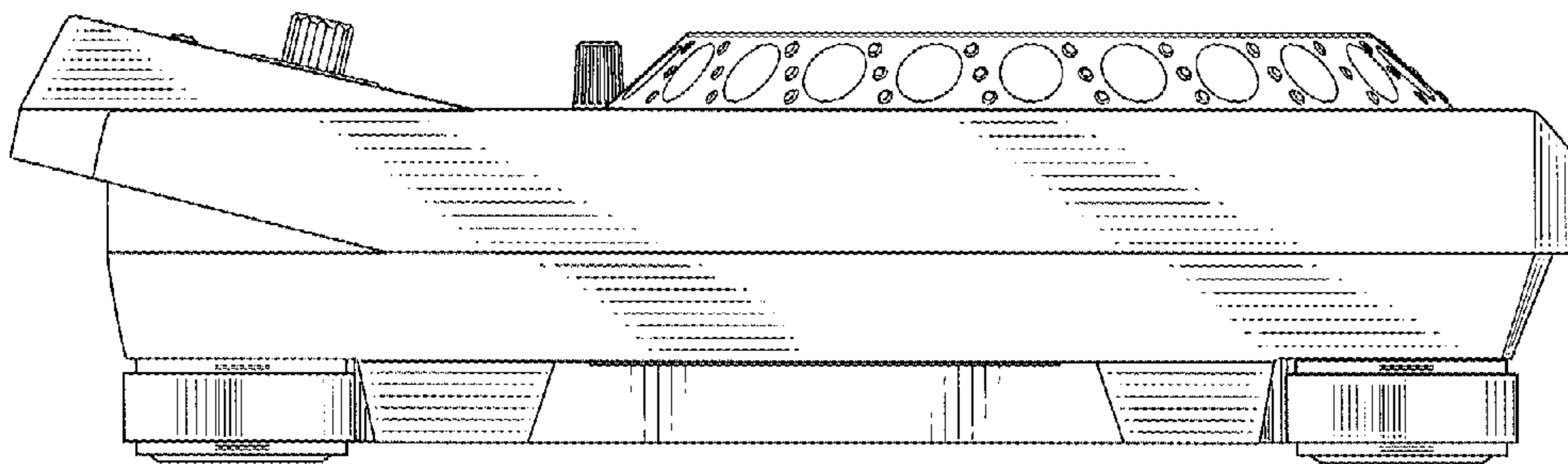


FIG. 5

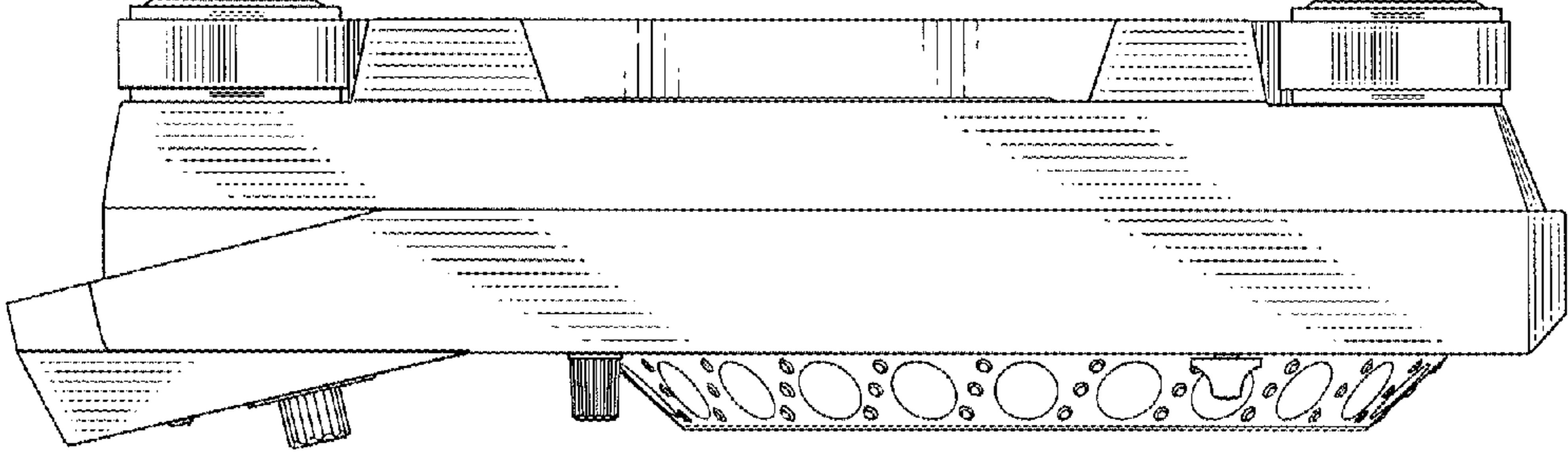


FIG. 6

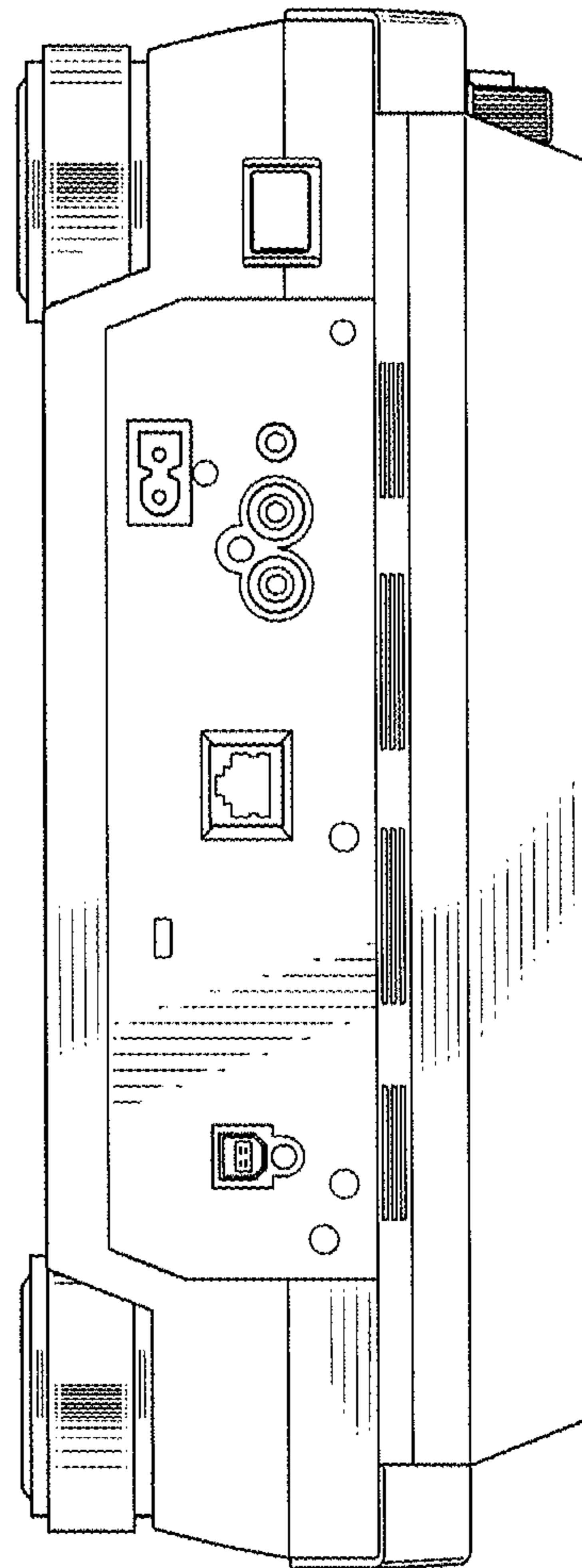


FIG. 7

