



US00D765618S

(12) **United States Design Patent** (10) **Patent No.:** **US D765,618 S**
Alves et al. (45) **Date of Patent:** **** Sep. 6, 2016**

(54) **WIRELESS MOBILE SPEAKER**

(71) Applicant: **SCOSCHE INDUSTRIES, INC.**,
Oxnard, CA (US)

(72) Inventors: **Kasidy Alves**, Oxnard, CA (US);
Christopher Michael McSweyn,
Oxnard, CA (US); **Mark Larson**,
Camarillo, CA (US)

(73) Assignee: **SCOSCHE INDUSTRIES, INC.**,
Oxnard, CA (US)

(**) Term: **15 Years**

(21) Appl. No.: **29/537,668**

(22) Filed: **Aug. 27, 2015**

(51) **LOC (10) Cl.** **14-03**

(52) **U.S. Cl.**
USPC **D14/216**

(58) **Field of Classification Search**
USPC D14/167, 168, 170–172, 188, 194–196,
D14/204, 207, 209.1, 210–216, 219, 221,
D14/222, 224, 239, 496; 181/143, 144, 147,
181/148, 150, 153, 157, 198, 199;
381/300–303, 306, 332, 333, 336, 345,
381/361–364, 386–388; 369/6–12
CPC ... B60R 11/0217; G06F 1/1688; G10K 9/22;
G10K 11/004; H03K 1/327; H04M 1/03;
H04M 1/035; H04N 5/642; H04N 21/4852;
H04R 1/02; H04R 1/06; H04R 1/021; H04R
1/025; H04R 1/026; H04R 1/028; H04R
1/105; H04R 1/323; H04R 1/403; H04R
1/2803; H04R 1/2834; H04R 5/02; H04R
7/20; H04R 9/06; H04R 9/025; H04R
2201/021; H04R 2400/00; H04R 2400/07;
H04R 2499/11; H04R 2499/13; H04R
2499/15; H04S 3/00; H04S 7/30
See application file for complete search history.

(56) **References Cited**

U.S. PATENT DOCUMENTS

D436,943 S	1/2001	Hayashi et al.	
D438,860 S	3/2001	Darbut et al.	
D563,391 S *	3/2008	Skurdal	D14/172
D611,450 S	3/2010	Miyazaki	
D644,206 S	8/2011	Ponnert	
D676,418 S	2/2013	Suzuki	
D677,244 S	3/2013	Funayama	
D681,604 S	5/2013	Funayama	
D692,861 S	11/2013	Paterson	
D698,753 S	2/2014	Yiu et al.	
D706,743 S	6/2014	Lukic et al.	
D709,118 S	7/2014	Yu	
D725,076 S	3/2015	Wong	
D725,077 S	3/2015	Wong	
D726,155 S *	4/2015	Cheng	D14/216
D742,358 S *	11/2015	Alves	D14/216
D744,541 S *	12/2015	Langhammer	D14/203.1
D753,630 S *	4/2016	Kim	D14/216
D758,348 S *	6/2016	Lukic	D14/216

* cited by examiner

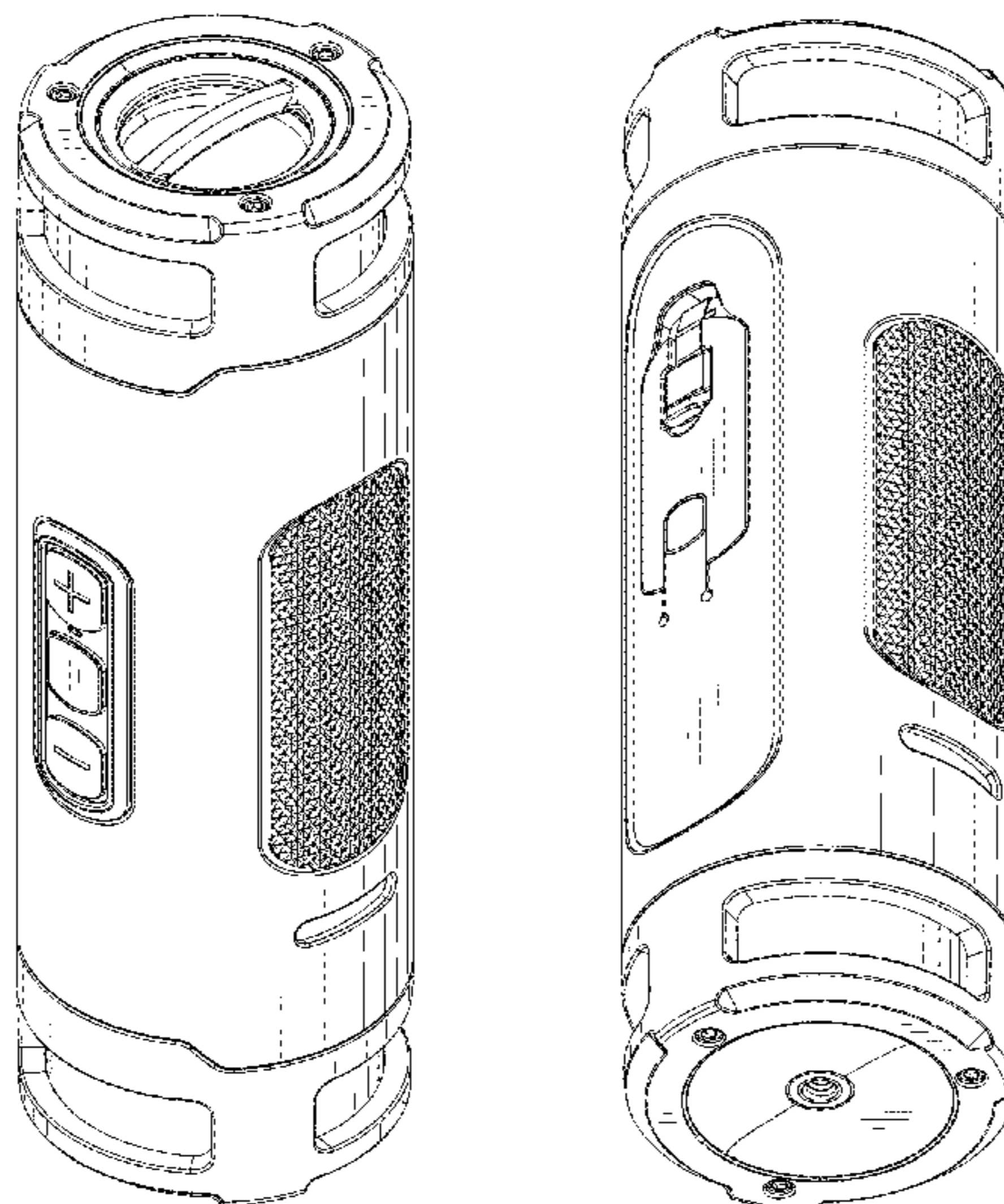
Primary Examiner — Keli L Hill
(74) *Attorney, Agent, or Firm* — Stetina Brunda Garred & Brucker

(57) **CLAIM**
The ornamental design for a wireless mobile speaker, as shown and described.

DESCRIPTION

FIG. 1 is a front perspective view of a wireless mobile speaker, embodying our new design;
FIG. 2 is a back perspective view thereof;
FIG. 3 is a top plan view thereof;
FIG. 4 is a front view thereof;
FIG. 5 is a right side view thereof;
FIG. 6 is a back view thereof;
FIG. 7 is a left side view thereof; and,
FIG. 8 is a bottom view thereof.

1 Claim, 3 Drawing Sheets



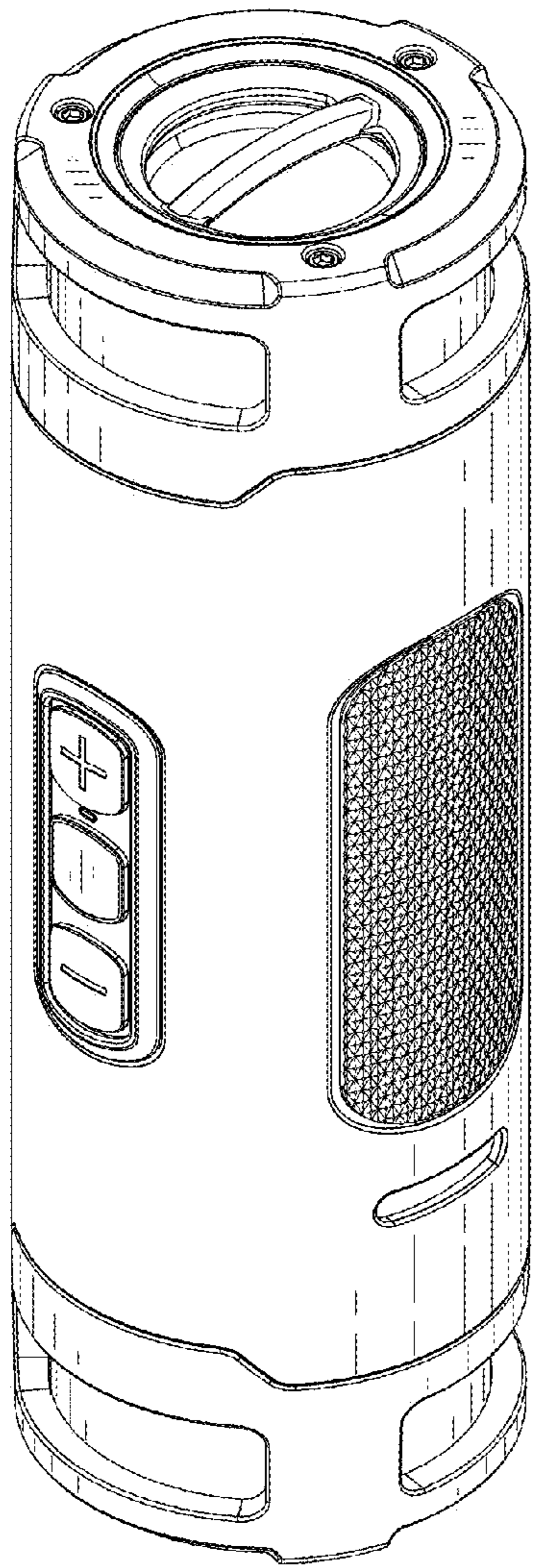


Fig. 1

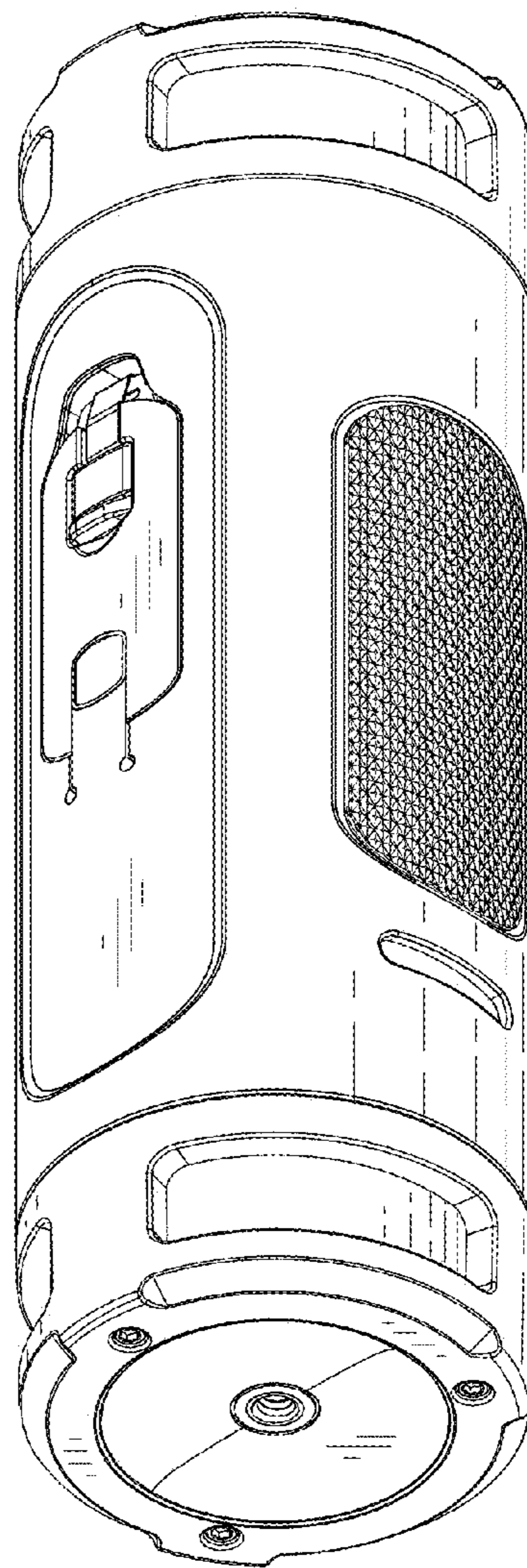


Fig. 2

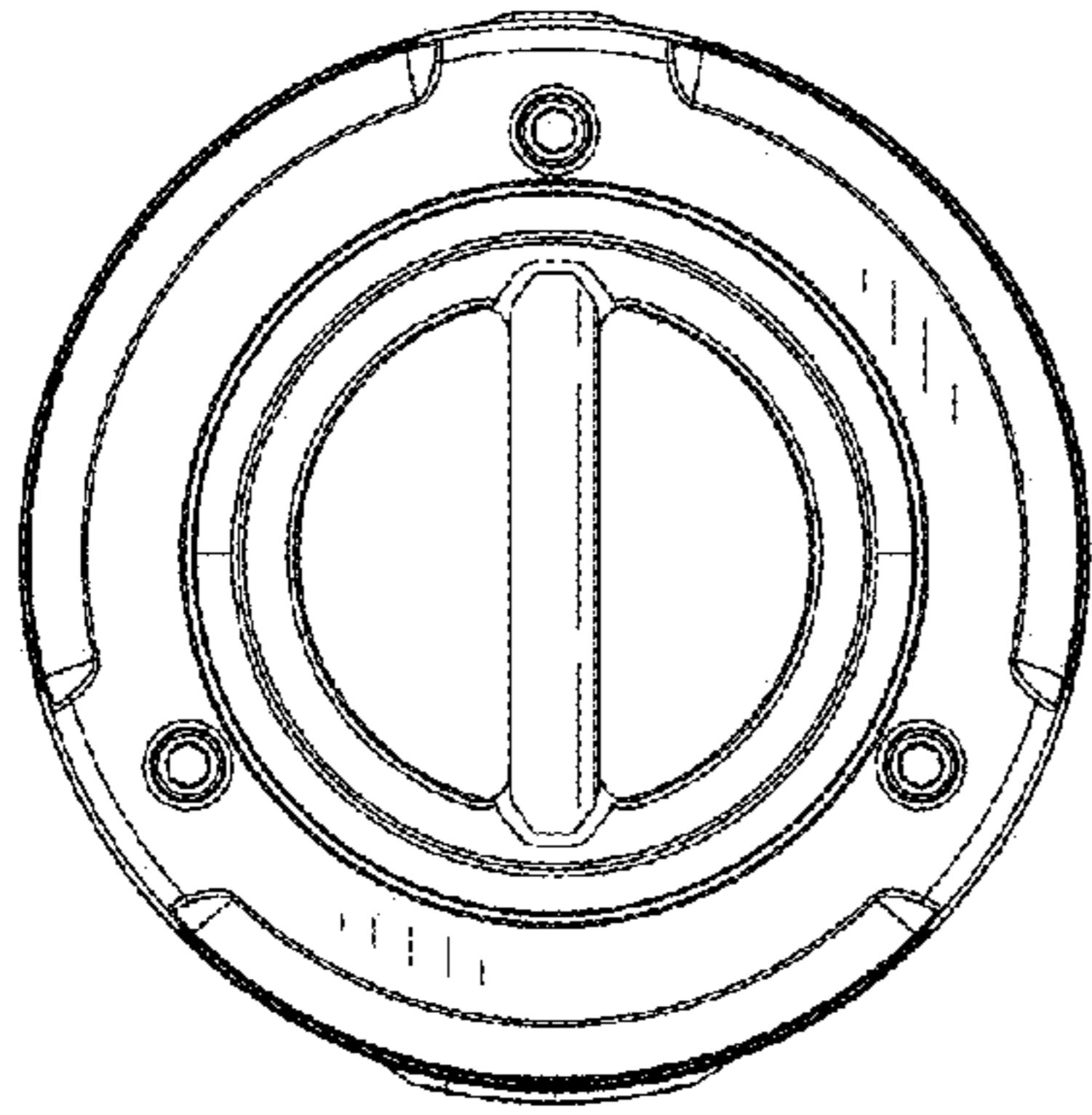


Fig. 3

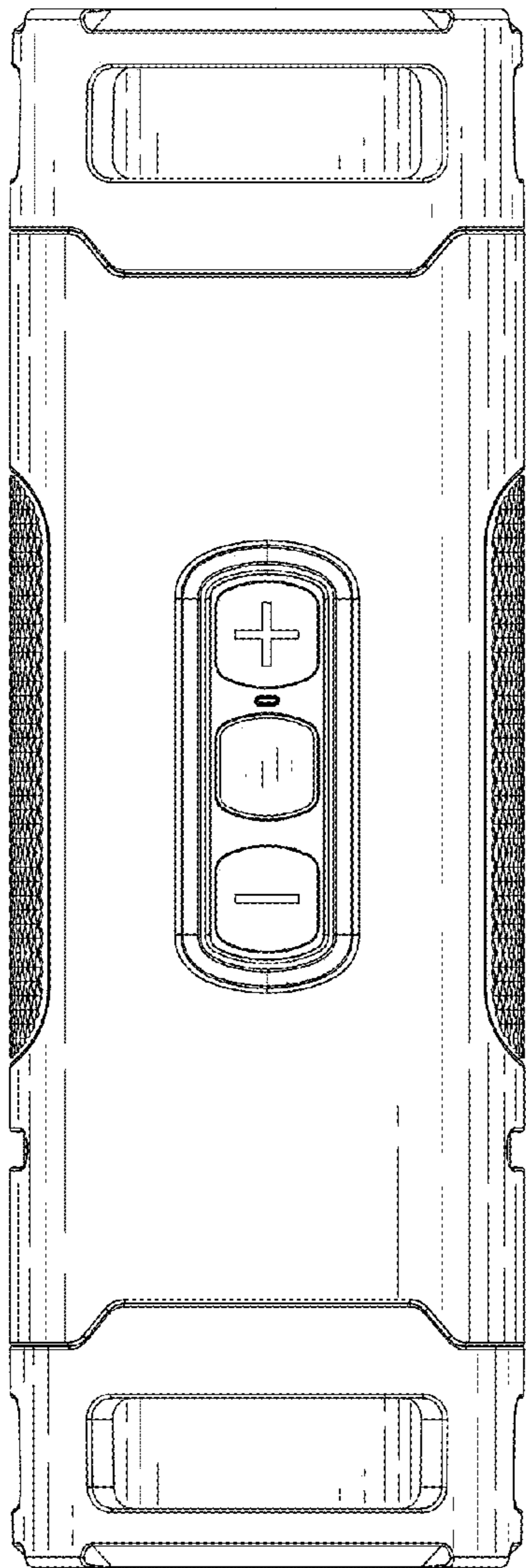


Fig. 4

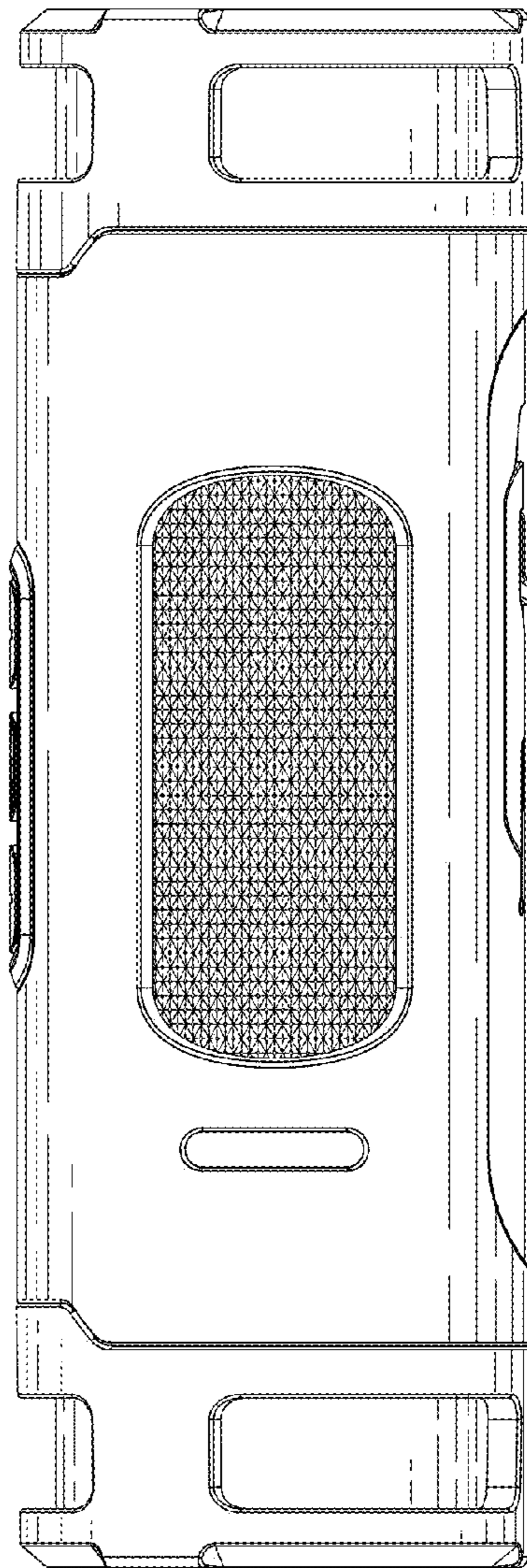


Fig. 5

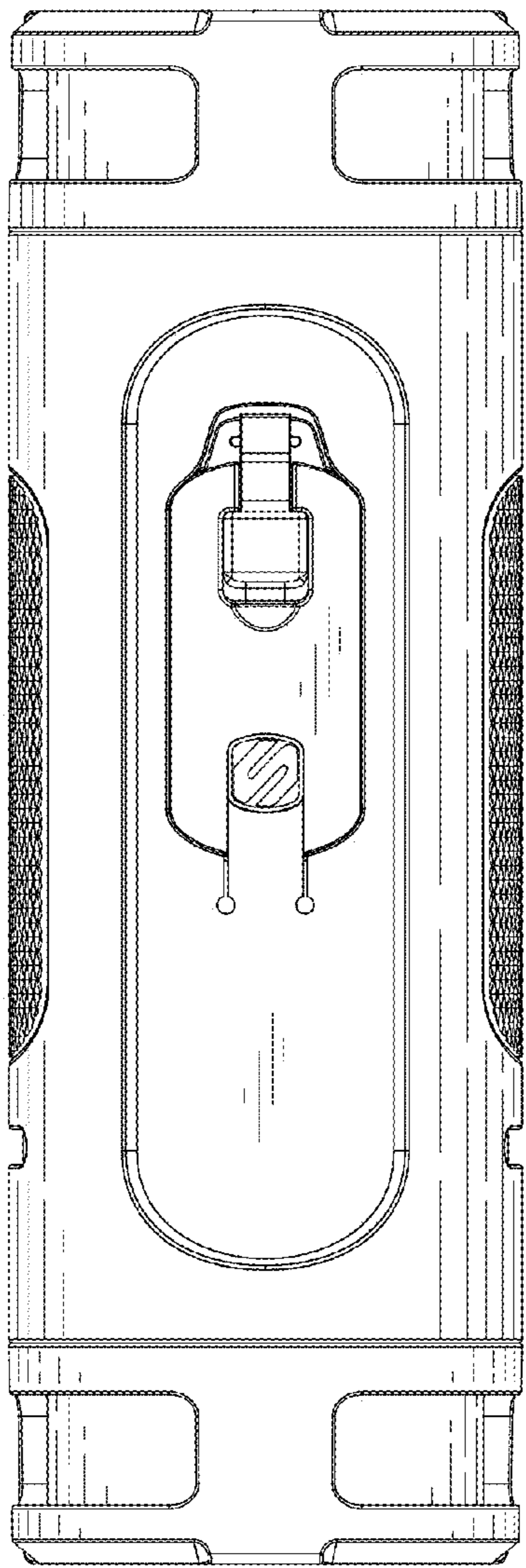


Fig. 6

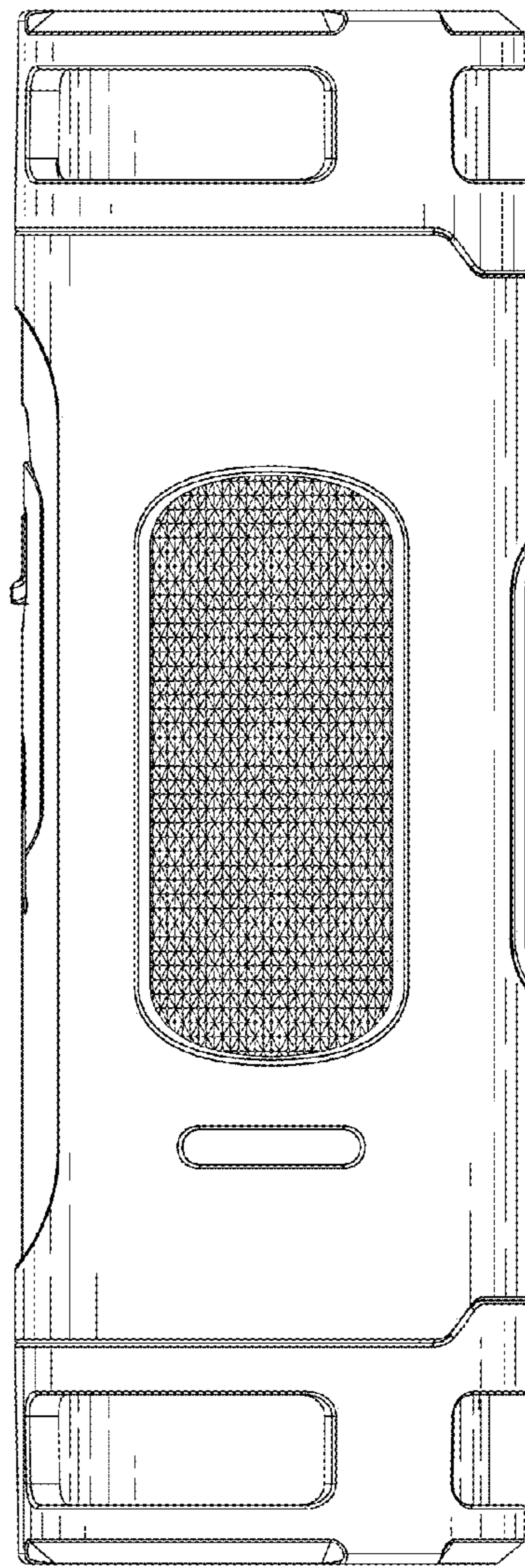


Fig. 7

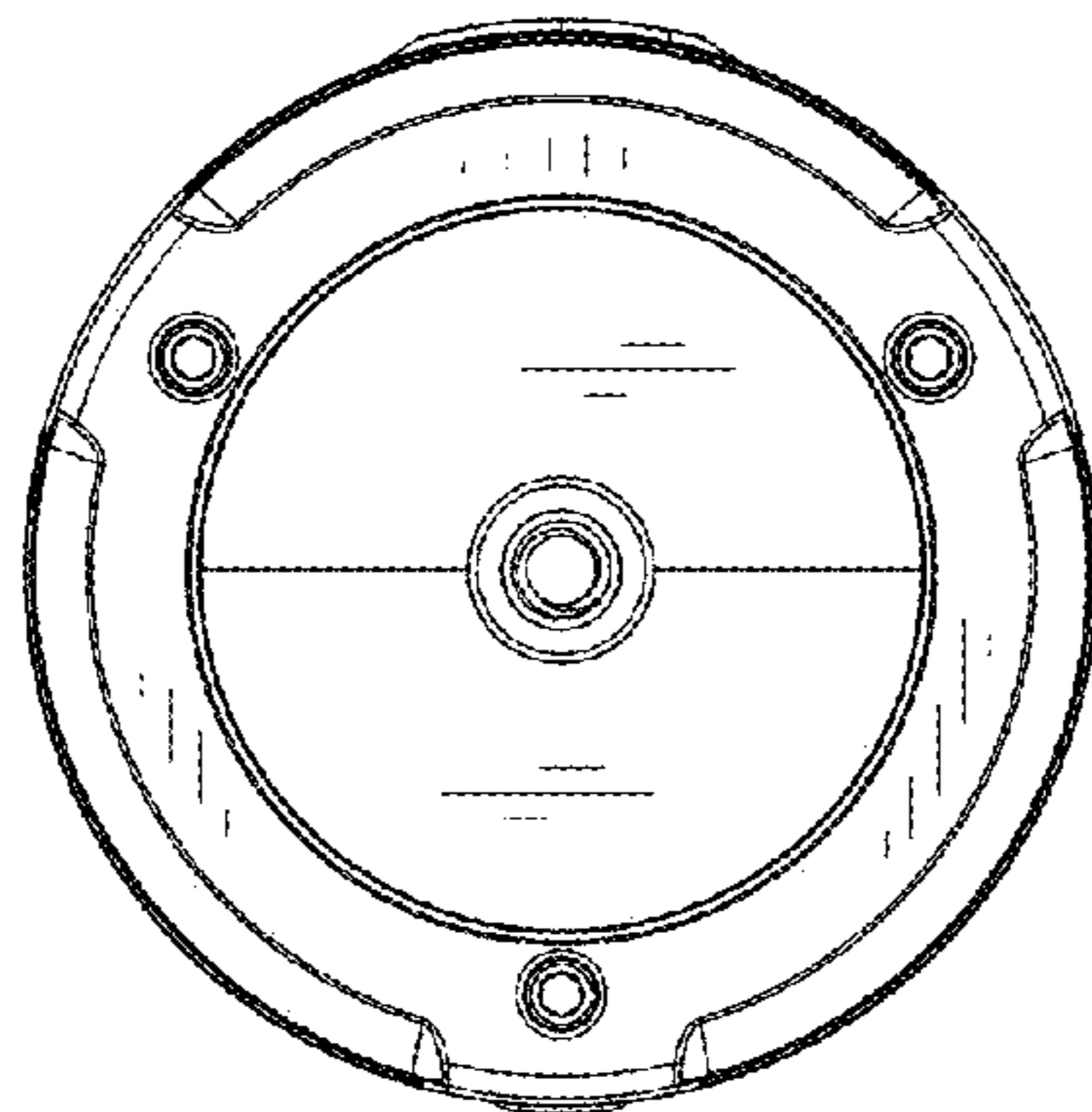


Fig. 8