



US00D765615S

(12) **United States Design Patent** (10) **Patent No.:** **US D765,615 S**  
**Kim et al.** (45) **Date of Patent:** **\*\* Sep. 6, 2016**

(54) **TV RECEIVER**

(56) **References Cited**

(71) Applicant: **LG ELECTRONICS INC.**, Seoul (KR)

(72) Inventors: **Kyungmin Kim**, Seoul (KR); **Sunjung Park**, Seoul (KR); **Hongyoul Choi**, Seoul (KR); **Jihyeock Kim**, Seoul (KR)

(73) Assignee: **LG ELECTRONICS INC.**, Seoul (KR)

(\*\*) Term: **15 Years**

(21) Appl. No.: **29/527,711**

(22) Filed: **May 21, 2015**

U.S. PATENT DOCUMENTS

D529,883 S *	10/2006	Hoehn .....	D14/126
D533,856 S *	12/2006	Rashid .....	D14/126
D537,420 S *	2/2007	Tsai .....	D14/126
D543,960 S *	6/2007	Bloem .....	D14/126
D550,174 S *	9/2007	Deguchi .....	D14/126
D551,188 S *	9/2007	Chu .....	D14/126
D563,337 S *	3/2008	Bloem .....	D14/126
D620,906 S *	8/2010	Kim .....	D14/126
D622,684 S *	8/2010	Kim .....	D14/126
D665,760 S *	8/2012	Chiu .....	D14/126
D708,596 S *	7/2014	Park .....	D14/126
D716,244 S *	10/2014	Kim .....	D14/126
D734,282 S *	7/2015	Shin .....	D14/126

\* cited by examiner

*Primary Examiner* — Raphael Barkai

(74) *Attorney, Agent, or Firm* — Birch, Stewart, Kolasch & Birch, LLP

(30) **Foreign Application Priority Data**

Dec. 22, 2014 (KR) ..... 30-2014-0062491

(51) **LOC (10) Cl.** ..... **14-03**

(52) **U.S. Cl.**  
USPC ..... **D14/126**

(58) **Field of Classification Search**  
USPC ..... D14/125-134, 239, 371, 136, 374-377, D14/440, 450, 448, 336, 342, 159; 312/7.2; 348/836, 838, 180, 184, 325, 739; 248/917-924, 465; 345/104, 133, 156, 345/168, 87, 173; D21/329, 515, 577, 622, D21/333, 433, 448, 452, 450, 331, 505; D10/15, 26; 446/484, 175, 356; D6/477, 479, 300; D20/10, 19, 39  
CPC . G06F 1/1601; G06F 1/1643; H05K 5/0004; H05K 5/0017; H05K 5/02; H05K 5/0217; H04N 13/0459

See application file for complete search history.

(57) **CLAIM**

The ornamental design for a TV receiver, as shown and described.

**DESCRIPTION**

FIG. 1 is a front, right side, perspective view of a TV receiver showing our new design;  
FIG. 2 is a front view thereof;  
FIG. 3 is a rear view thereof;  
FIG. 4 is a left side view thereof;  
FIG. 5 is a right side view thereof;  
FIG. 6 is a top view thereof; and,  
FIG. 7 is a bottom view thereof.

**1 Claim, 6 Drawing Sheets**

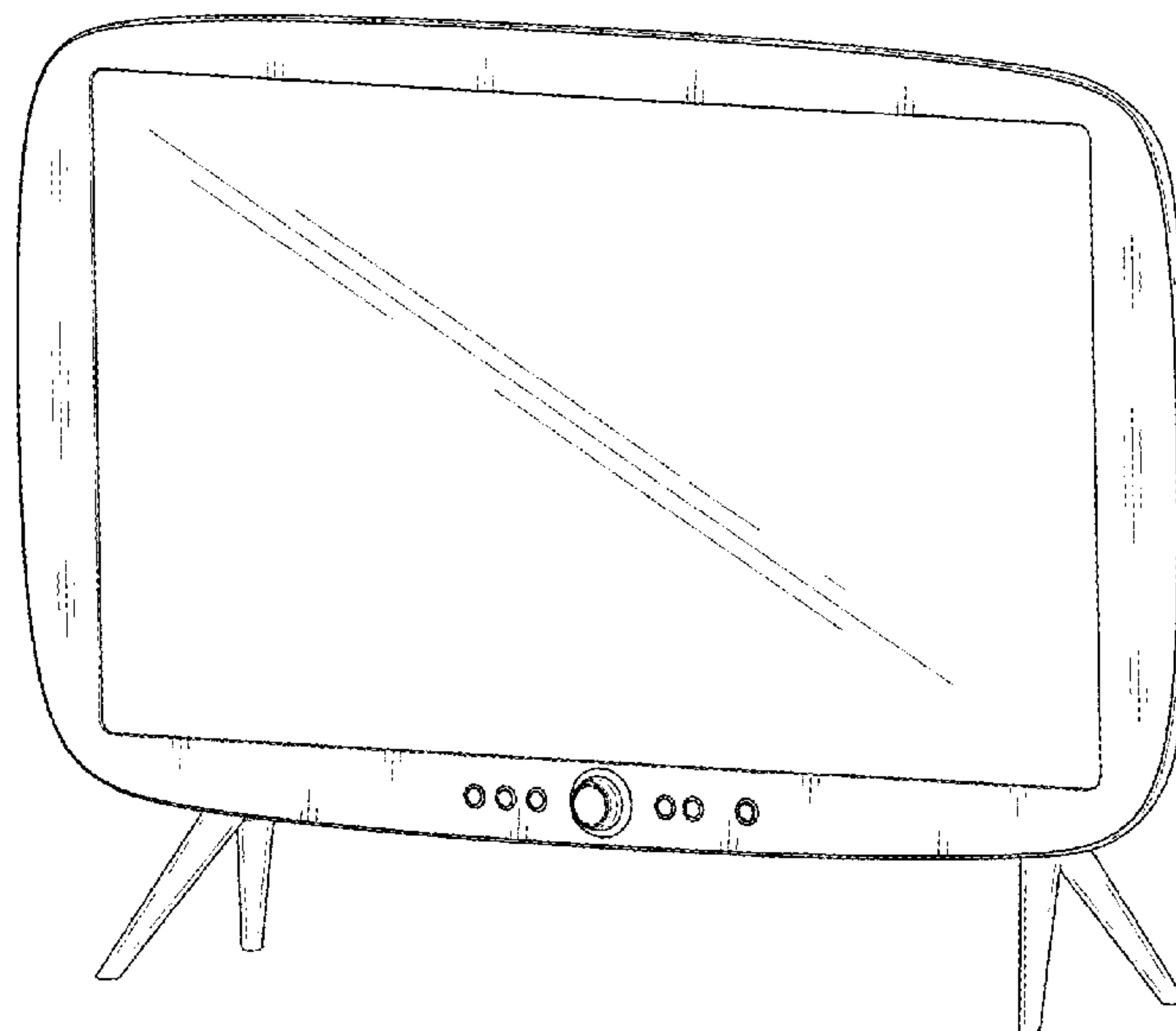


FIG. 1

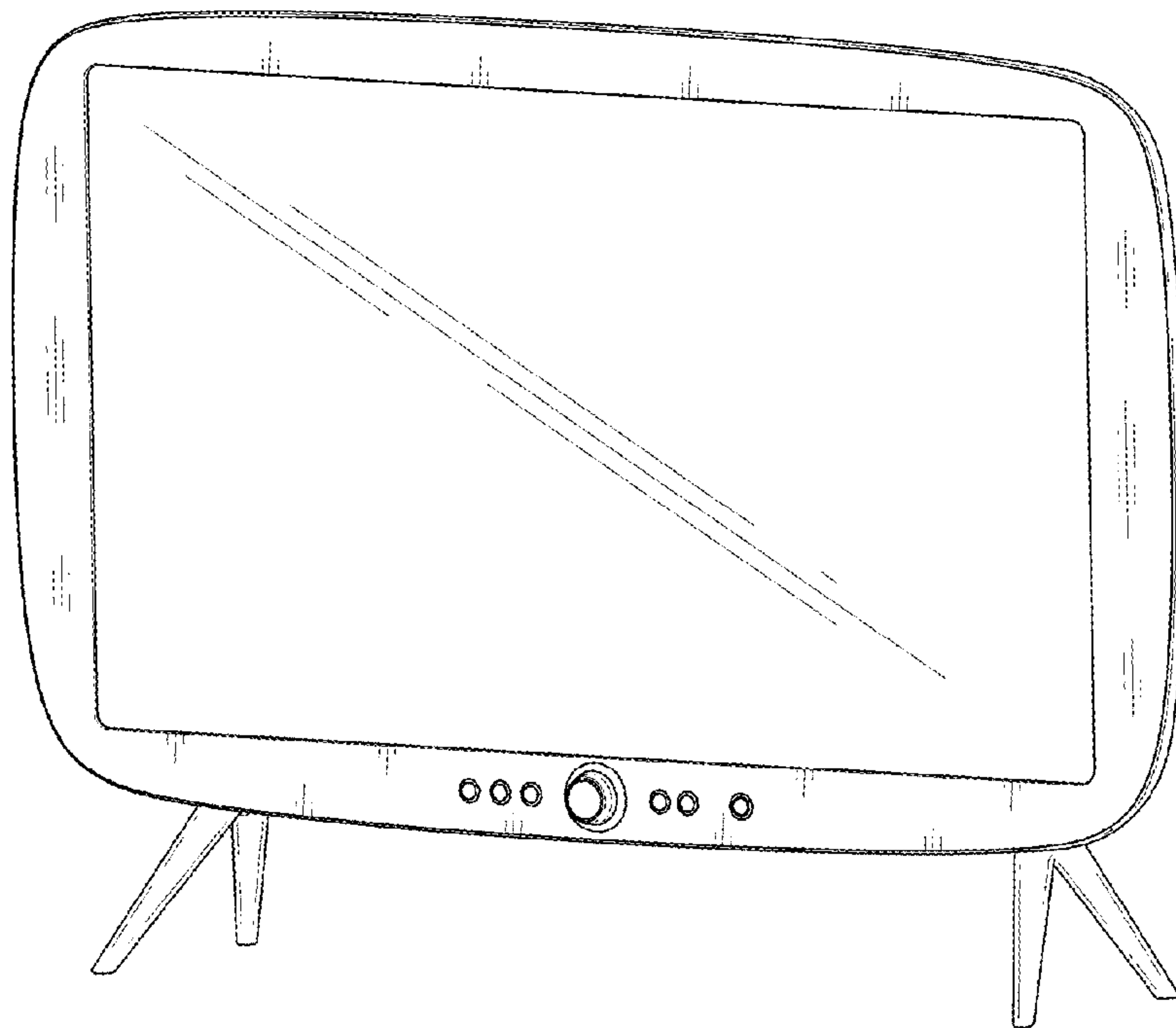


FIG. 2

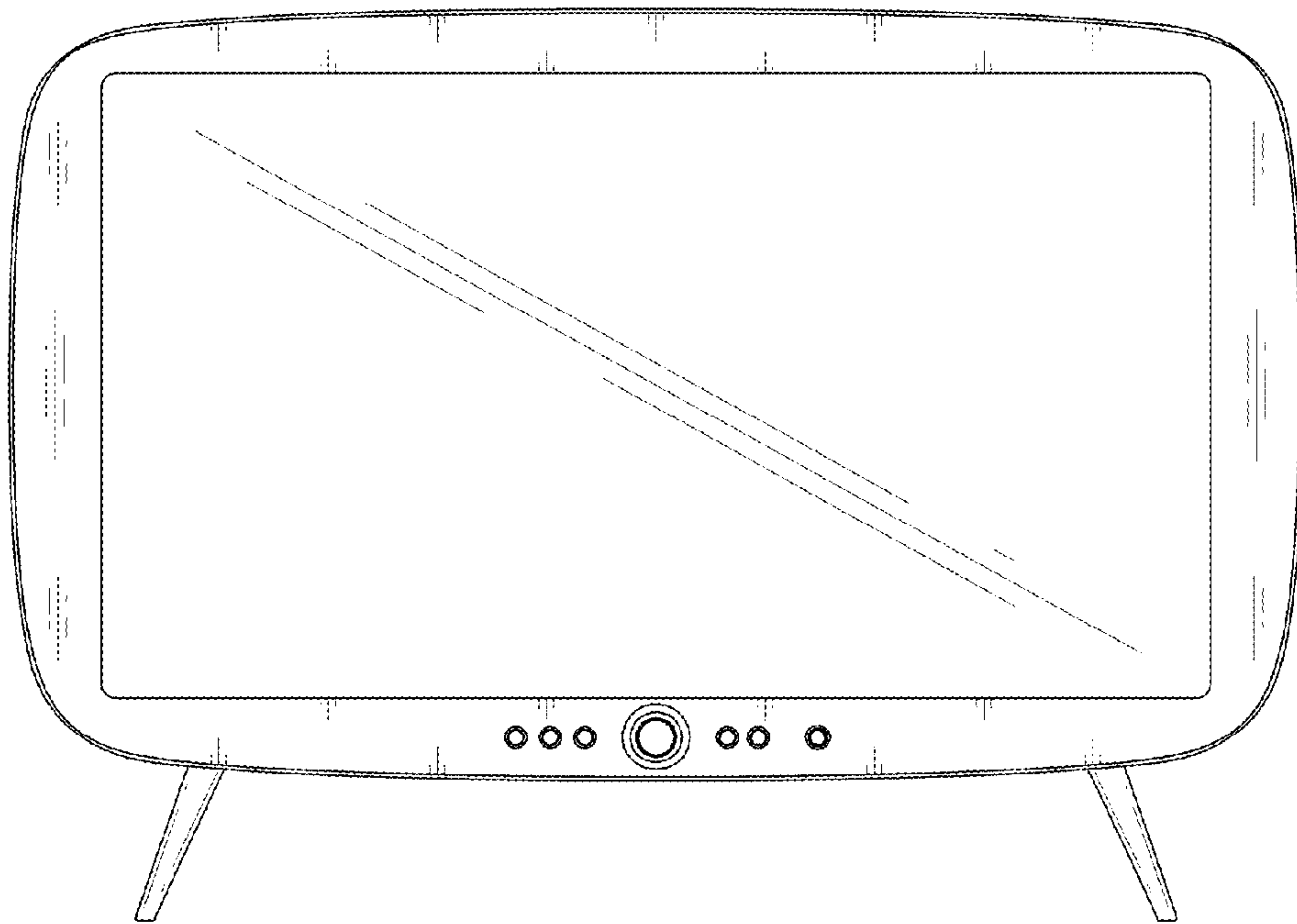


FIG. 3

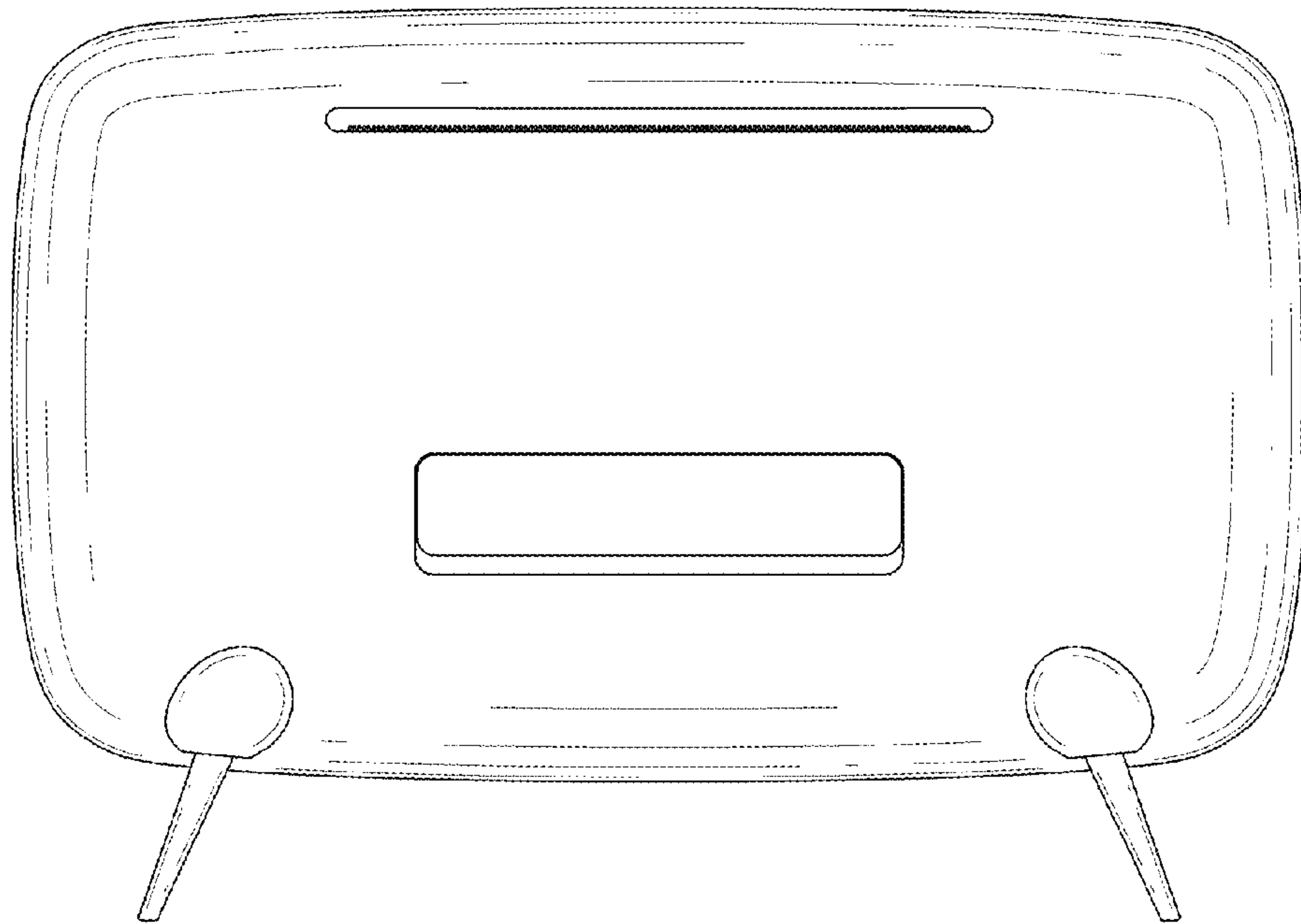


FIG. 4

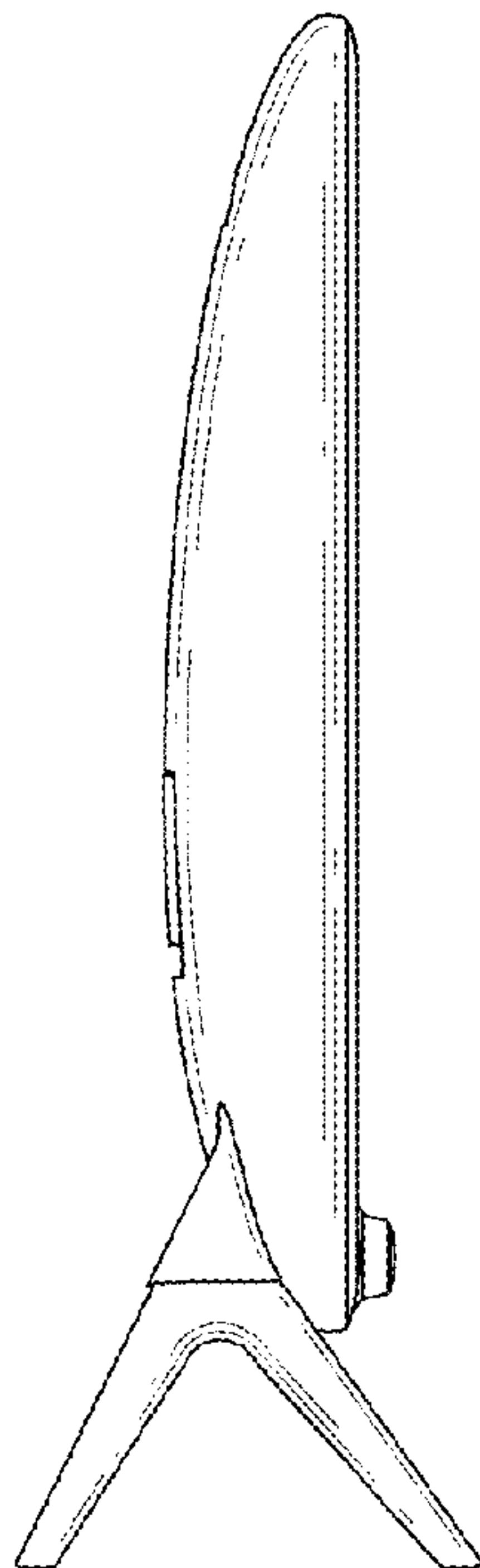


FIG. 5

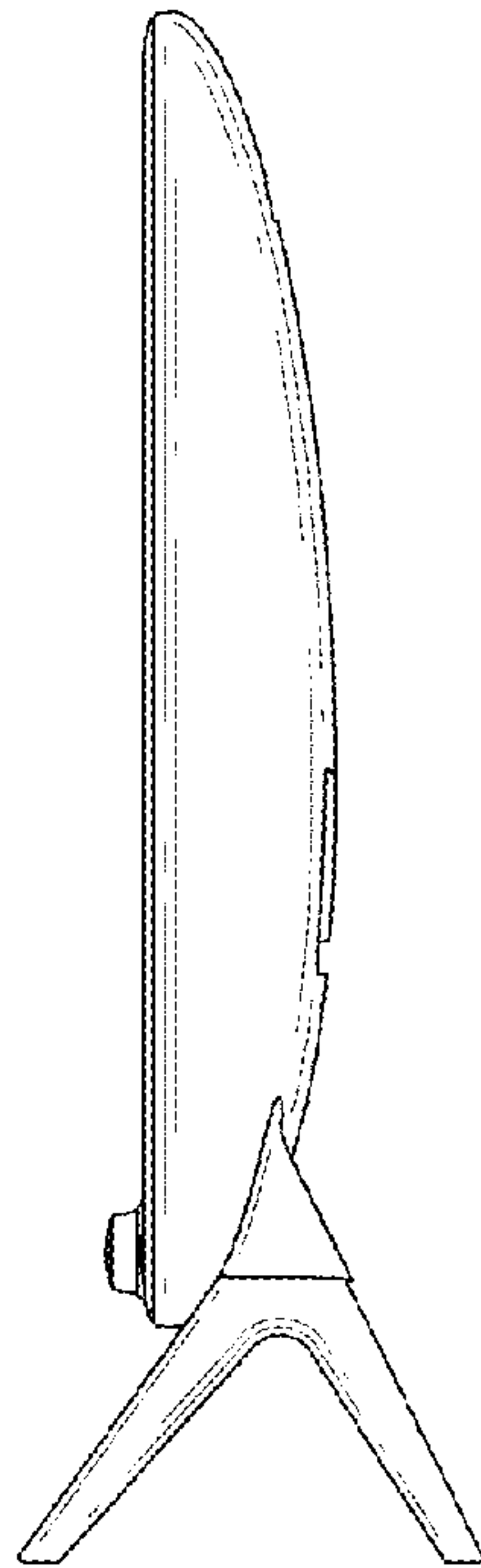


FIG. 6

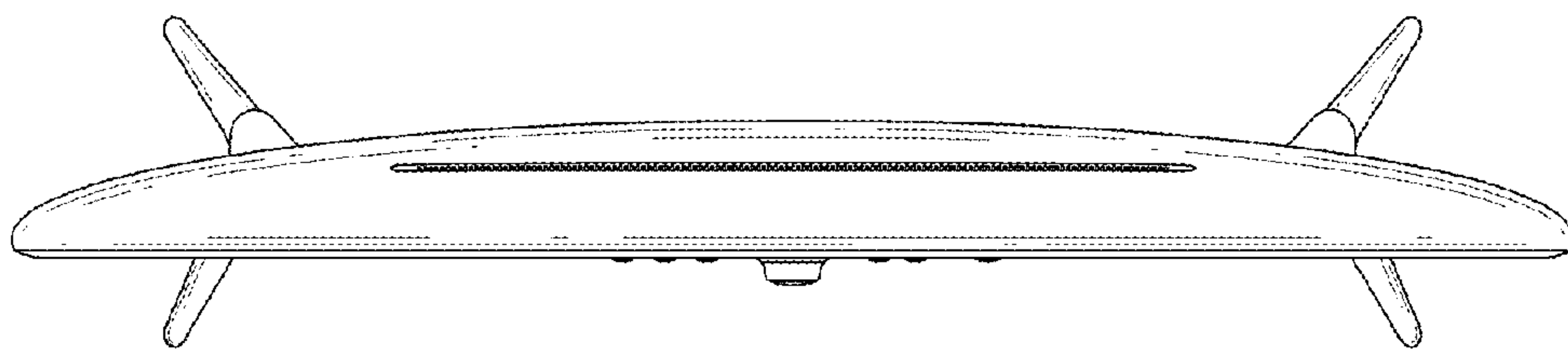


FIG. 7

