



US00D765613S

(12) **United States Design Patent** (10) **Patent No.:** **US D765,613 S**
Wolf (45) **Date of Patent:** **** Sep. 6, 2016**

(54) **HOUSING FOR ELECTRIC AND ELECTRONIC COMPONENTS**

(71) Applicant: **INTER CONTROL Hermann Kohler Elektrik GmbH & Co. KG, Nuremberg (DE)**

(72) Inventor: **Roland Wolf, Hersbruck (DE)**

(73) Assignee: **INTER CONTROL Hermann Kohler Elektrik GmbH & Co. KG, Nuremberg (DE)**

(**) Term: **14 Years**

(21) Appl. No.: **29/468,725**

(22) Filed: **Oct. 2, 2013**

(30) **Foreign Application Priority Data**

Apr. 3, 2013 (EM) 002213207

(51) **LOC (10) Cl.** **13-03**

(52) **U.S. Cl.**
USPC **D13/184**

(58) **Field of Classification Search**
USPC D13/107, 110, 123, 133, 145, 147, 152, D13/154-156, 173, 177, 184, 199
CPC H05K 5/00; H05K 5/0021; H05K 1/14; H05K 7/00; H05K 7/02; H05K 7/14; H05K 7/1465; H05K 7/1424; H05K 7/1404; H05K 7/18; H05K 7/20; H05K 7/20127
See application file for complete search history.

(56) **References Cited**

U.S. PATENT DOCUMENTS

4,707,764 A 11/1987 Cogan
D565,509 S * 4/2008 Fechner et al. D13/133

D576,954 S * 9/2008 Hsiao D13/147
D578,062 S * 10/2008 Gotoh D13/110
D707,630 S * 6/2014 Kaplan et al. D13/133
D710,803 S * 8/2014 Yun D13/133
2009/0268412 A1* 10/2009 Lee et al. 361/726
2011/0007462 A1* 1/2011 Probst et al. 361/679.01
2013/0308266 A1* 11/2013 Sullivan 361/679.46
2014/0110546 A1* 4/2014 Senatori 248/220.21
2015/0111079 A1* 4/2015 Juventin et al. 429/99

FOREIGN PATENT DOCUMENTS

DE 1 924 421 A 11/1970
DE 71 15 847 U 8/1971
DE 82 30 004 U1 3/1983
DE 34 45 576 C2 3/1987
DE 42 31 827 C2 3/1994
DE 100 13 134 A1 9/2001
DE 20 2008 008 516 U1 10/2008
EP 2 139 306 A2 12/2009
GB 1 374 038 A 11/1974
GB 2 298 452 A 9/1996
WO WO 03/014877 A2 2/2003

* cited by examiner

Primary Examiner — Thomas Johannes

Assistant Examiner — Shawn T Gingrich

(74) *Attorney, Agent, or Firm* — Merchant & Gould P.C.

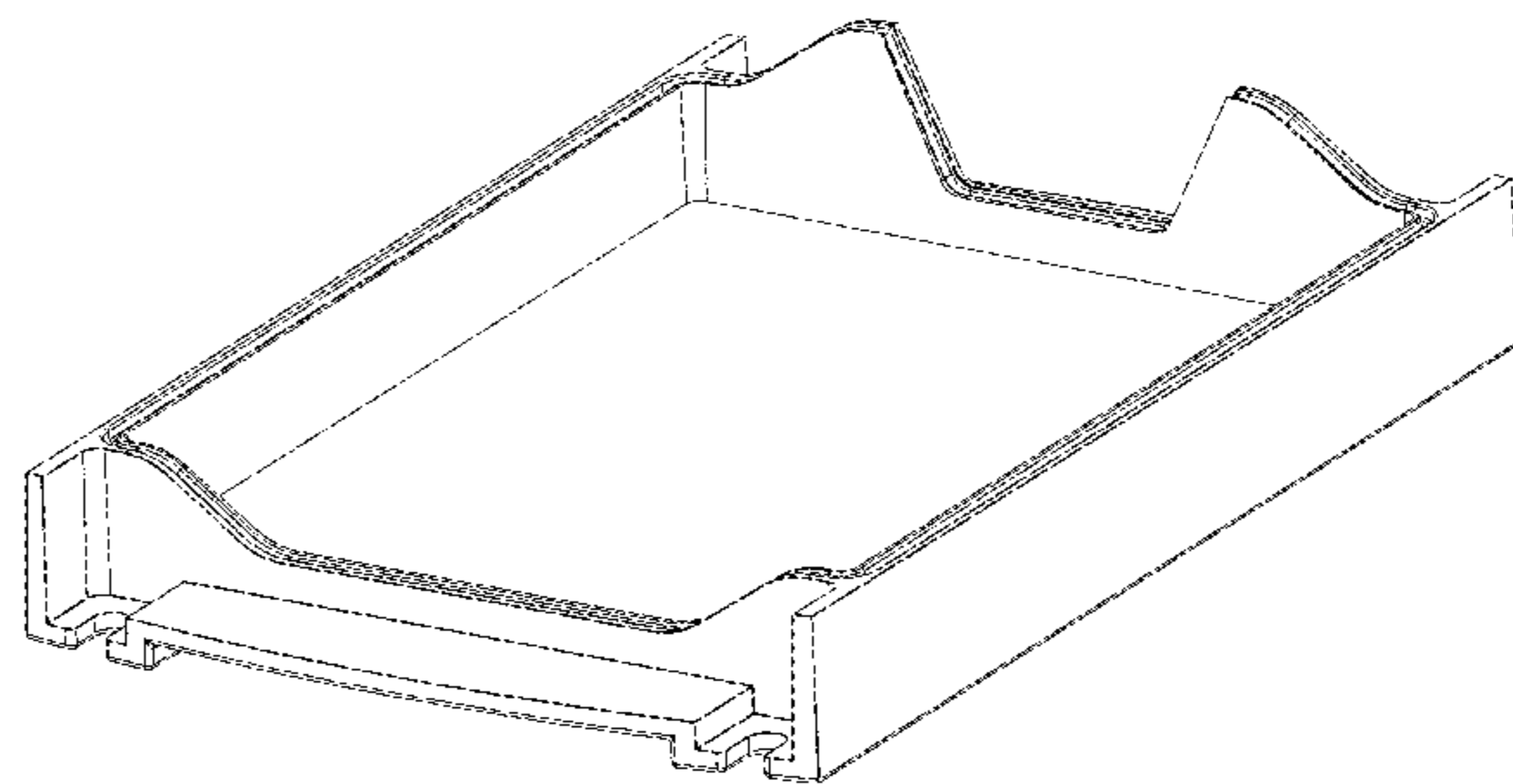
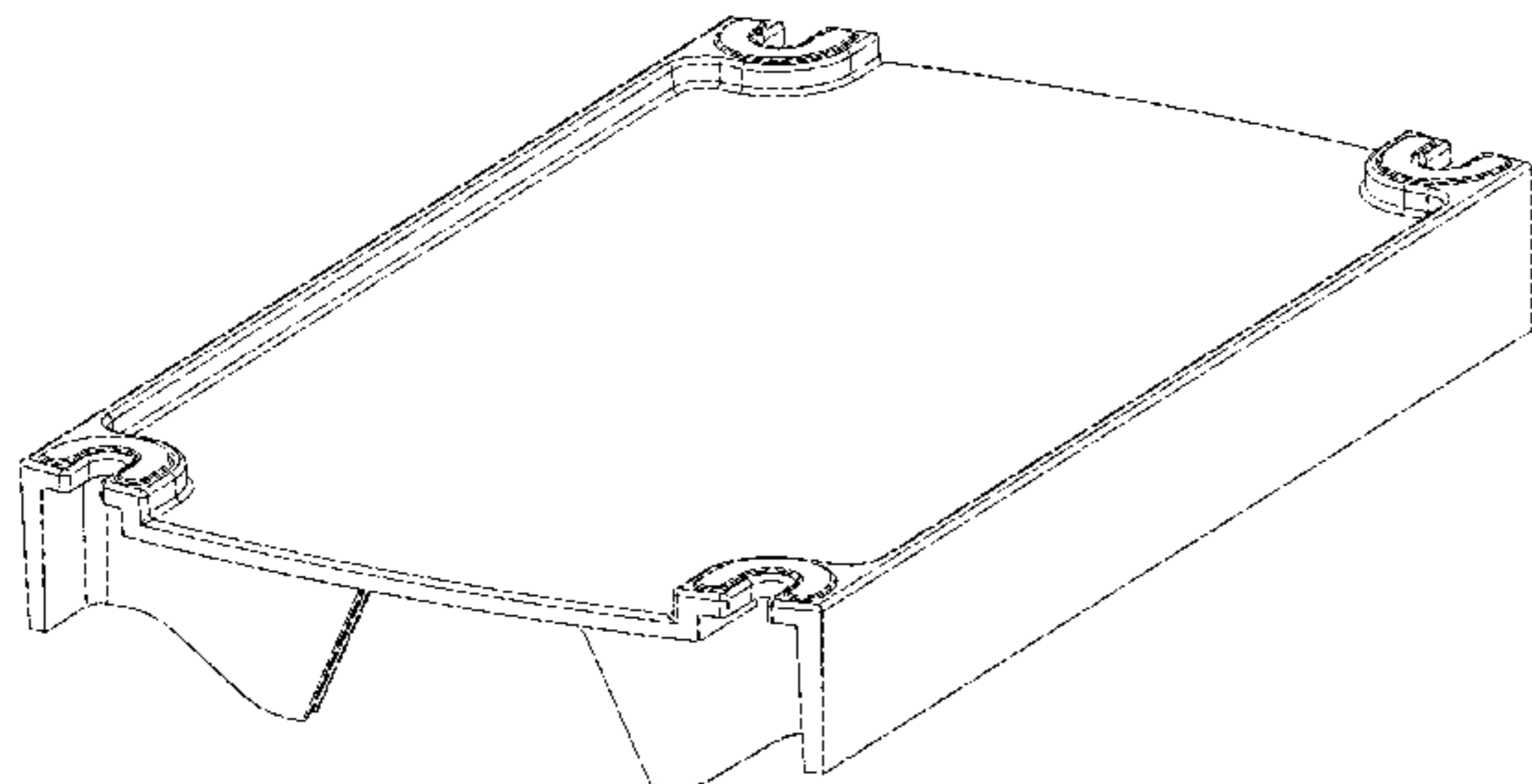
(57) **CLAIM**

The ornamental design for a housing for electric and electronic components, as shown and described.

DESCRIPTION

FIG. 1 is a perspective view of a housing for electric and electronic components showing my new design; and, FIG. 2 is a bottom perspective view thereof.

1 Claim, 2 Drawing Sheets



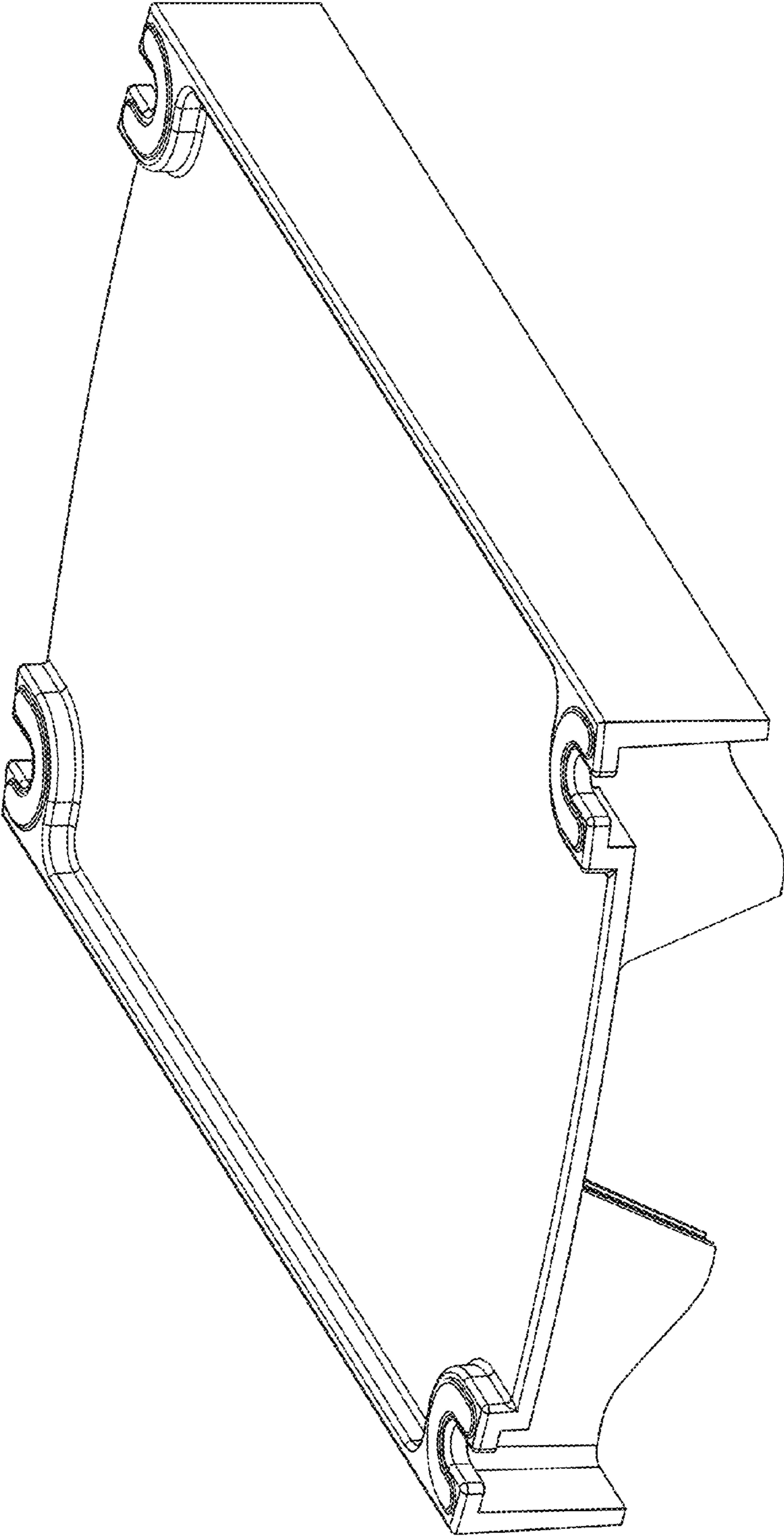


FIG. 1

FIG. 2

