



US00D765611S

(12) **United States Design Patent** (10) **Patent No.:** **US D765,611 S**
Kaliauer et al. (45) **Date of Patent:** **** Sep. 6, 2016**

- (54) **JOG DIAL**
- (71) Applicant: **Wacker Neuson Beteiligungs GmbH,**
Hoersching (AT)
- (72) Inventors: **Bernhard Kaliauer,** Hoersching (AT);
Gerald Krenn, Hoersching (AT)
- (73) Assignee: **Wacker Neuson Beteiligungs GmbH,**
Hoersching (AT)
- (**) Term: **14 Years**
- (21) Appl. No.: **29/511,530**
- (22) Filed: **Dec. 11, 2014**
- (51) **LOC (10) Cl.** **13-03**
- (52) **U.S. Cl.**
USPC **D13/177**
- (58) **Field of Classification Search**
USPC D13/158, 162, 171, 173, 177; D8/350
CPC H01H 3/02; H01H 3/08; H01H 19/04;
H01H 19/14; H02G 3/14; G06F 3/0362
See application file for complete search history.

D698,754 S *	2/2014	Vuillet	D13/168
8,901,443 B2 *	12/2014	Baker	G06F 3/0362 200/17 R
9,167,660 B2 *	10/2015	Birch	H05B 37/00
2006/0012584 A1 *	1/2006	Vassallo	G06F 3/016 345/184
2012/0247934 A1 *	10/2012	Schmidt	H01H 19/14 200/336
2014/0380243 A1 *	12/2014	Furue	G06F 3/0482 715/835
2015/0150646 A1 *	6/2015	Pryor	G06F 3/0362 345/174
2015/0231969 A1 *	8/2015	Holl	B60K 37/06 345/158
2016/0085321 A1 *	3/2016	Jung	G06F 3/0362 345/184

* cited by examiner

Primary Examiner — Selina Sikder

(74) *Attorney, Agent, or Firm* — Boyle Fredrickson, S.C.

(57) **CLAIM**

The ornamental design for a jog dial, as shown and described.

DESCRIPTION

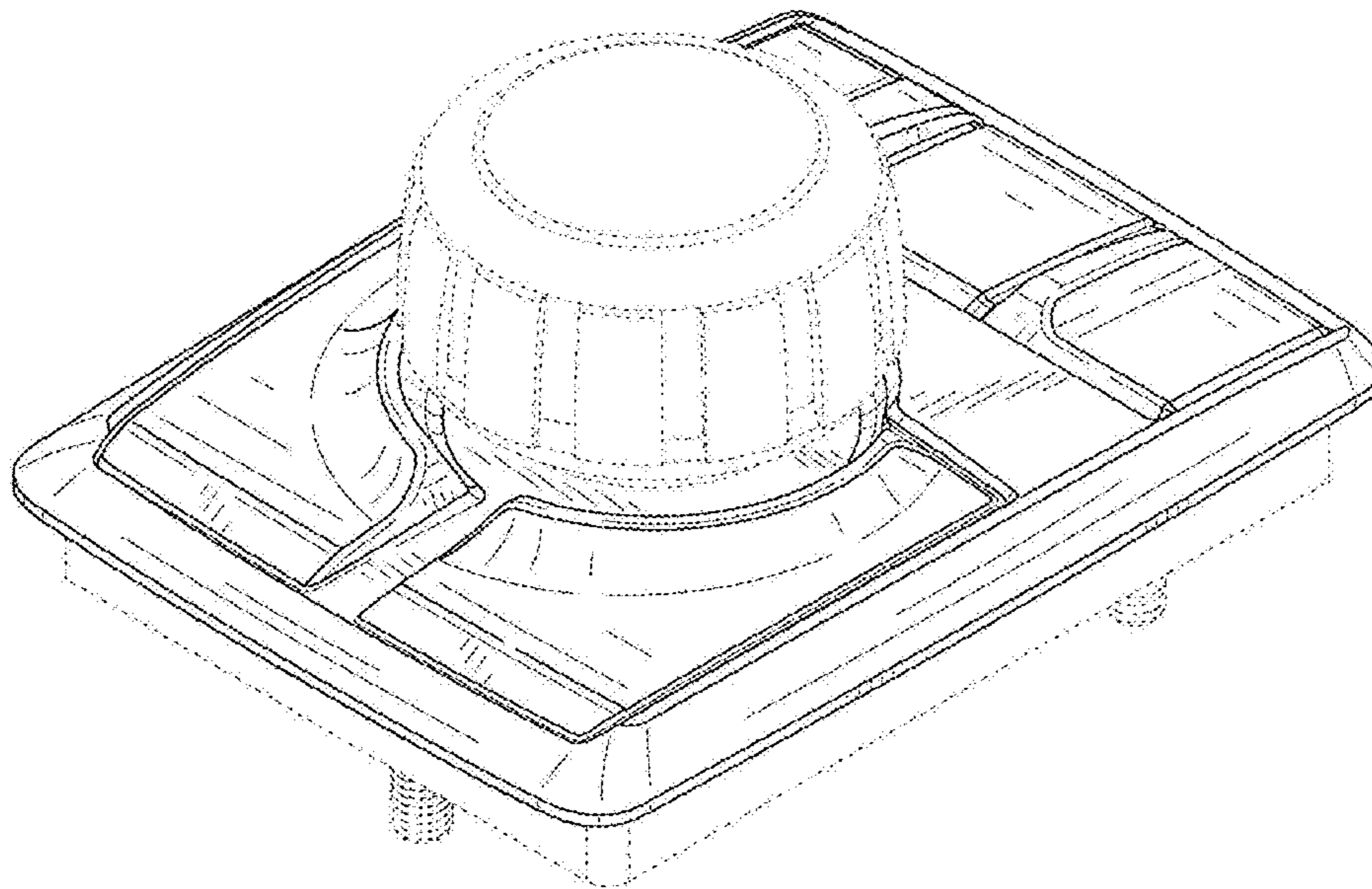
FIG. 1 is an isometric view of a jog dial incorporating my new design, viewed from above, in front of, and from the right side of the jog dial;
 FIG. 2 is a top plan view thereof;
 FIG. 3 is a bottom plan view thereof;
 FIG. 4 is a left side elevation view thereof;
 FIG. 5 is a right side elevation view thereof;
 FIG. 6 is a front side elevation view thereof; and,
 FIG. 7 is a rear side elevation view thereof.
 The broken lines in the drawings are for illustrative purposes only and form no part of the claimed design.

1 Claim, 7 Drawing Sheets

(56) **References Cited**

U.S. PATENT DOCUMENTS

4,038,508 A *	7/1977	Mapelsden	G05G 5/06 200/17 R
D455,128 S *	4/2002	Laun	D13/177
D456,012 S *	4/2002	Pratt	D13/171
D473,851 S *	4/2003	Krajci	D13/162
6,943,297 B2 *	9/2005	Capella	H01R 13/4534 174/66
7,586,040 B1 *	9/2009	Bala	H02G 3/14 174/66
8,242,364 B1 *	8/2012	Shotey	H02G 3/14 174/57
8,350,154 B1 *	1/2013	Shotey	H02G 3/14 174/57



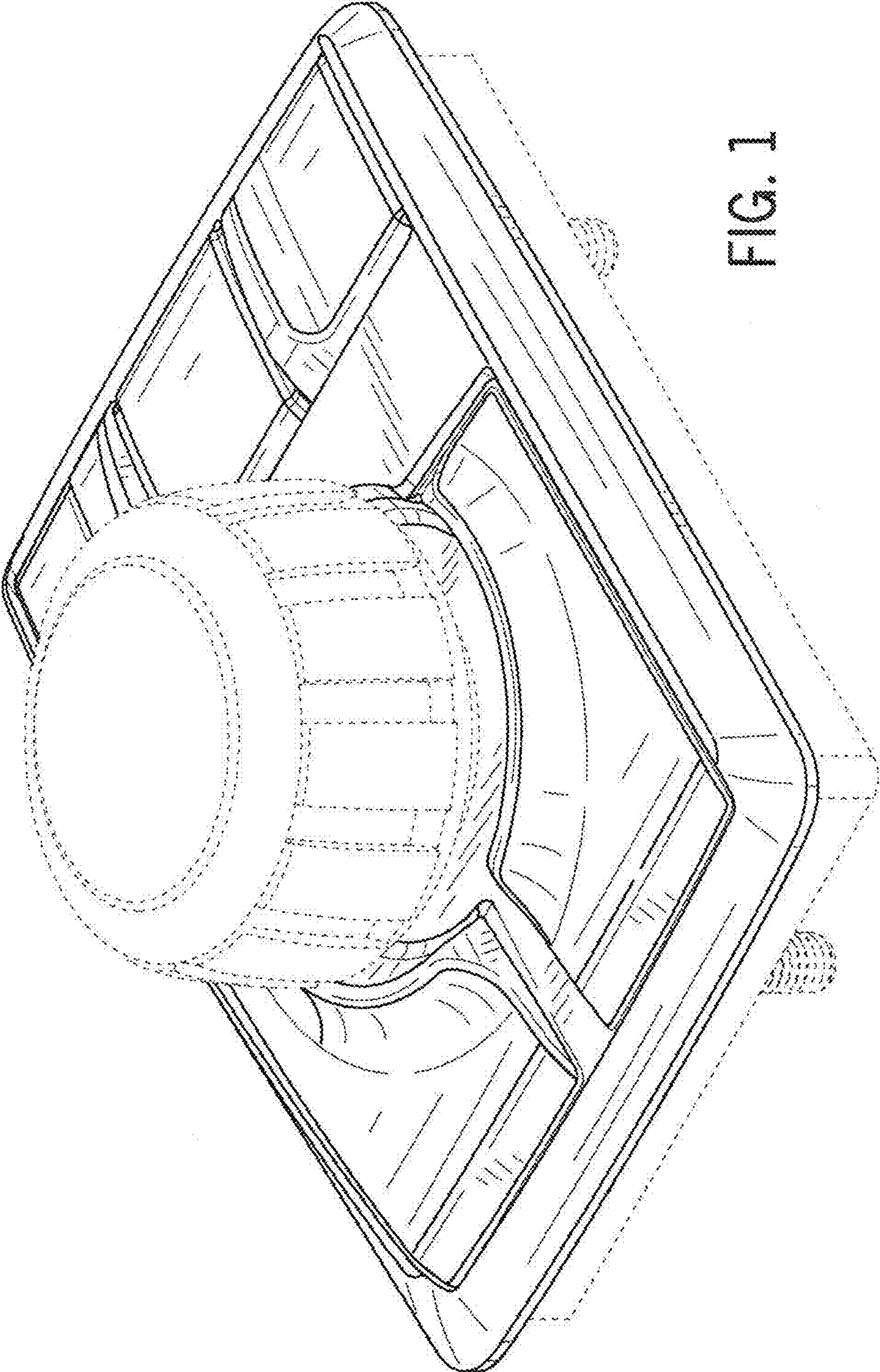


FIG. 1

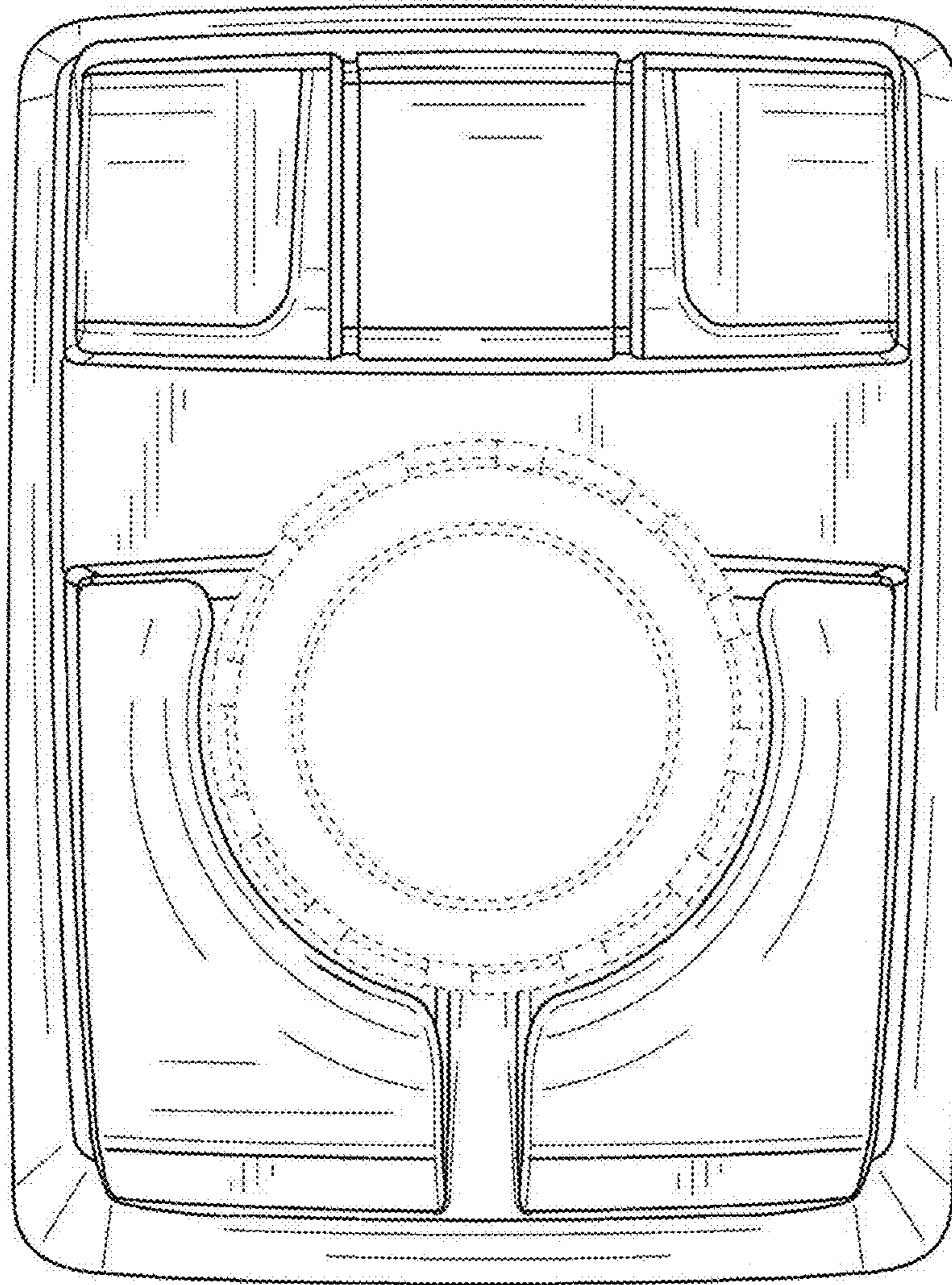


FIG. 2

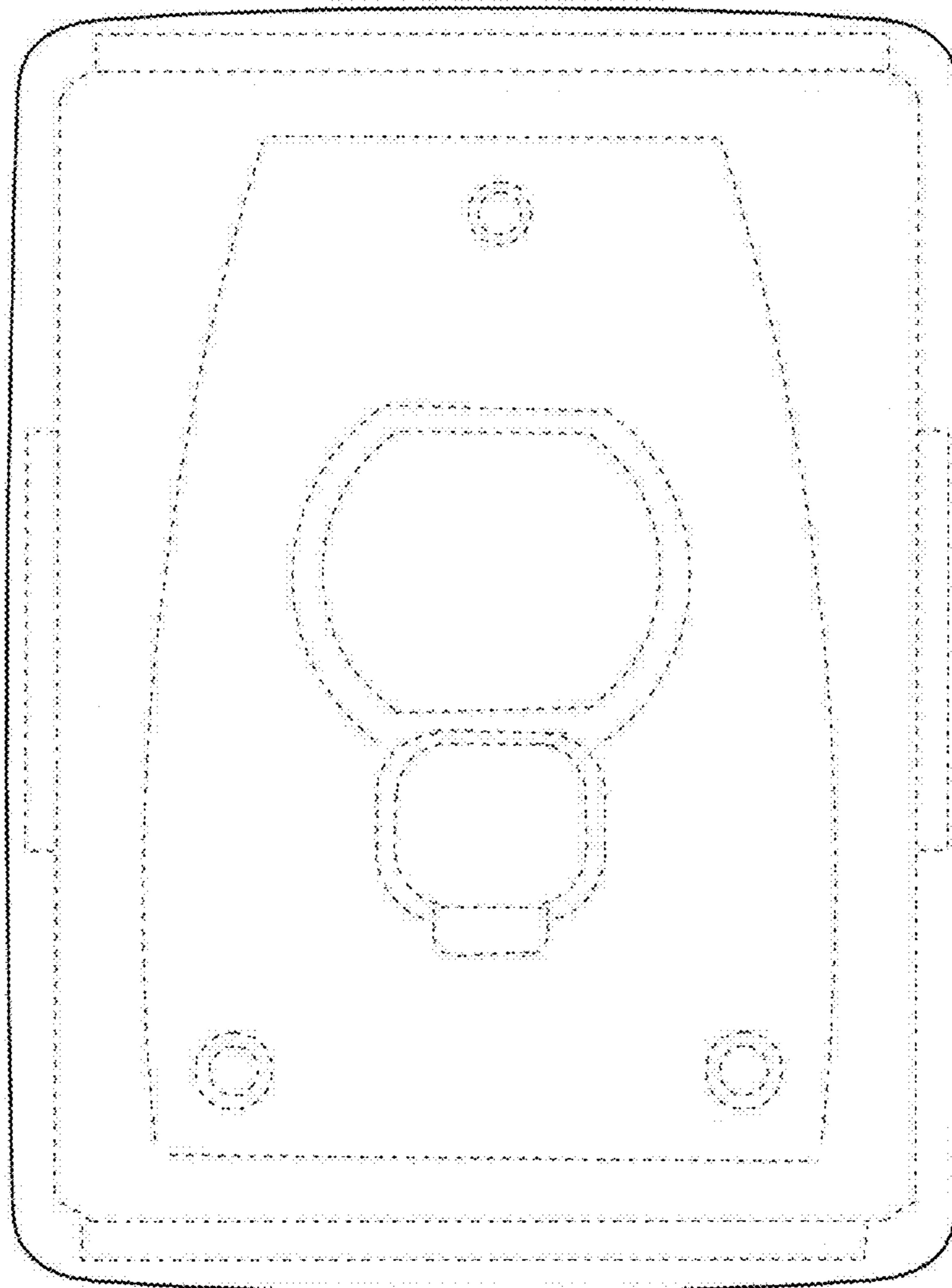


FIG. 3

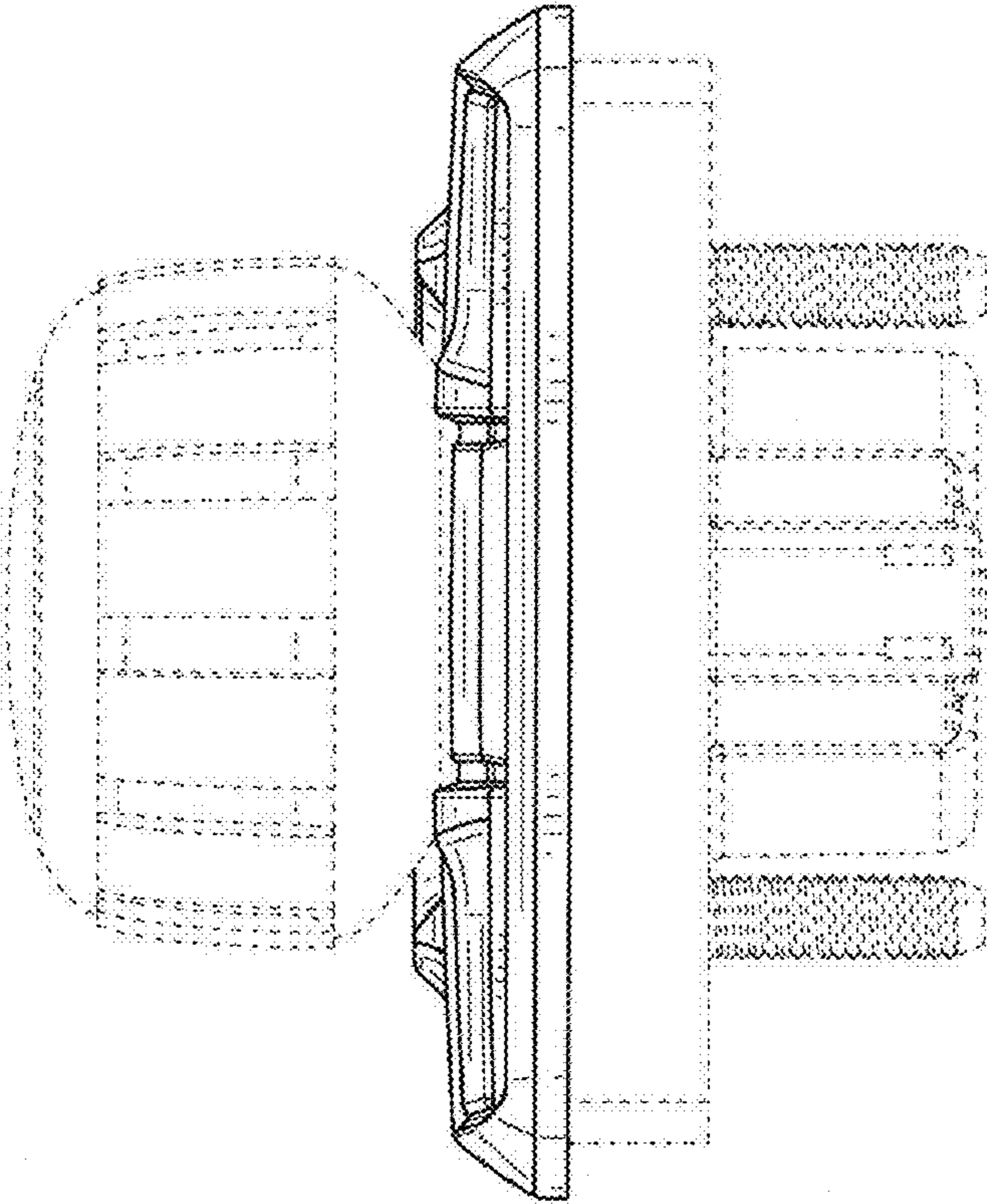


FIG. 4

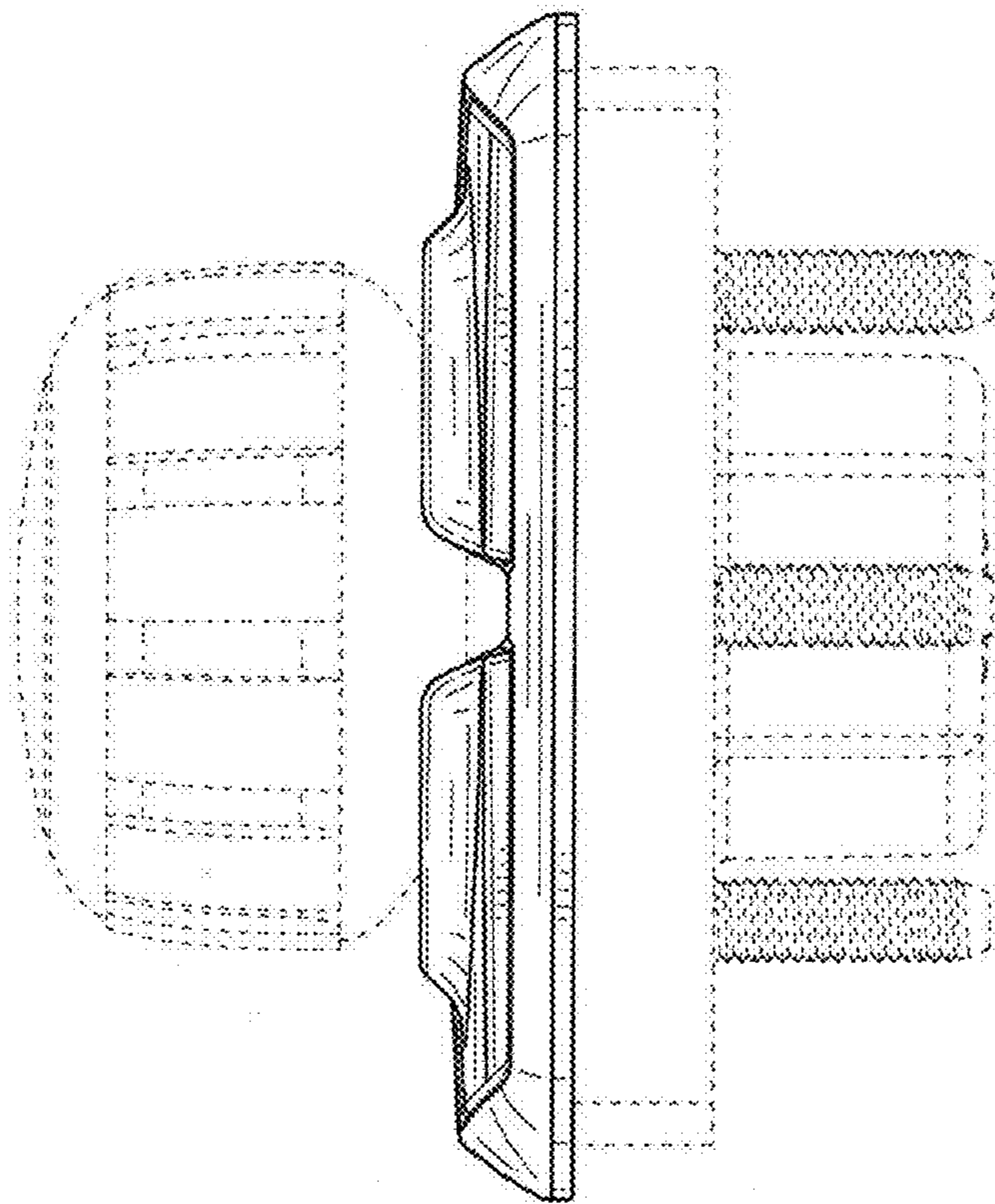


FIG. 5

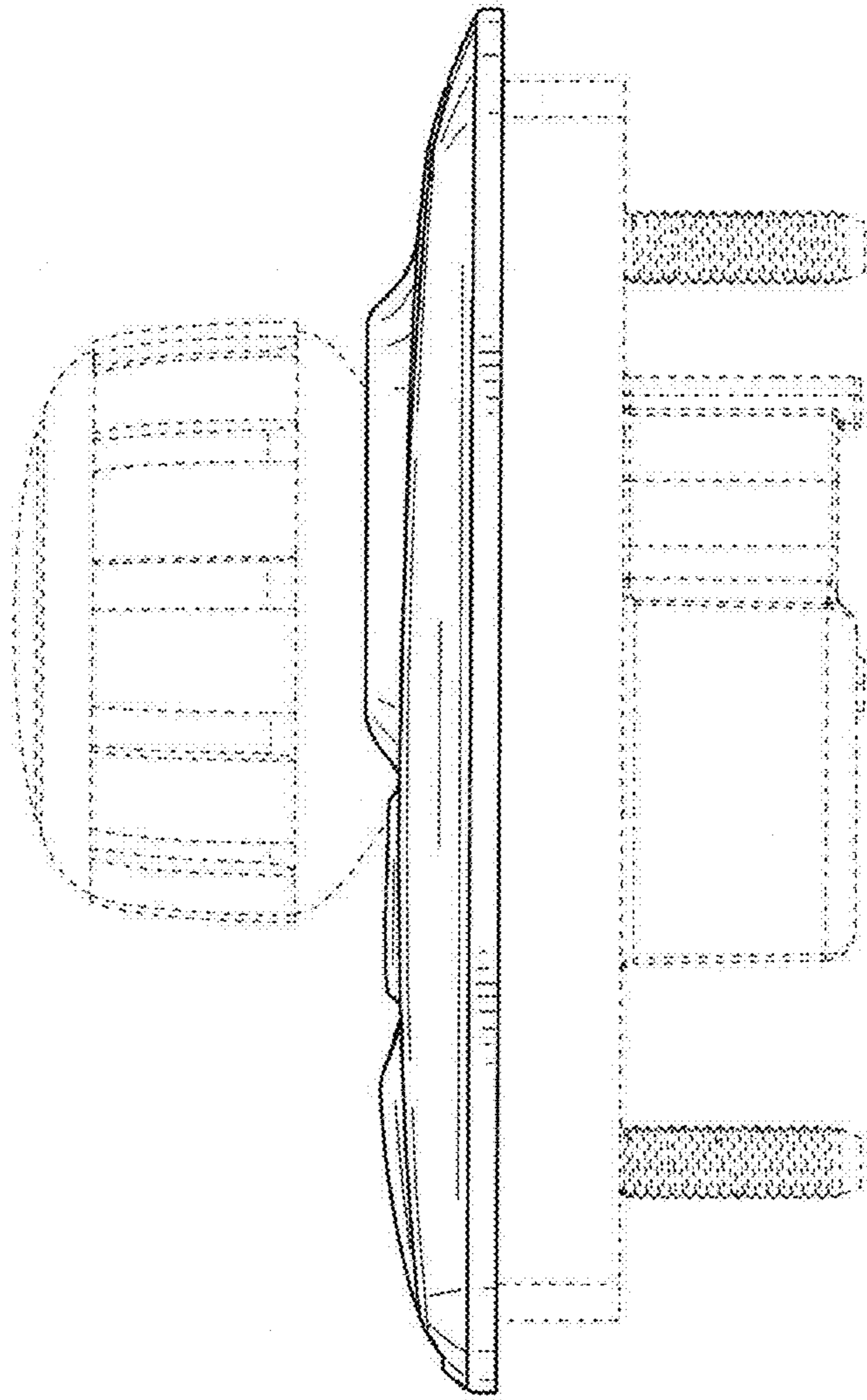


FIG. 6

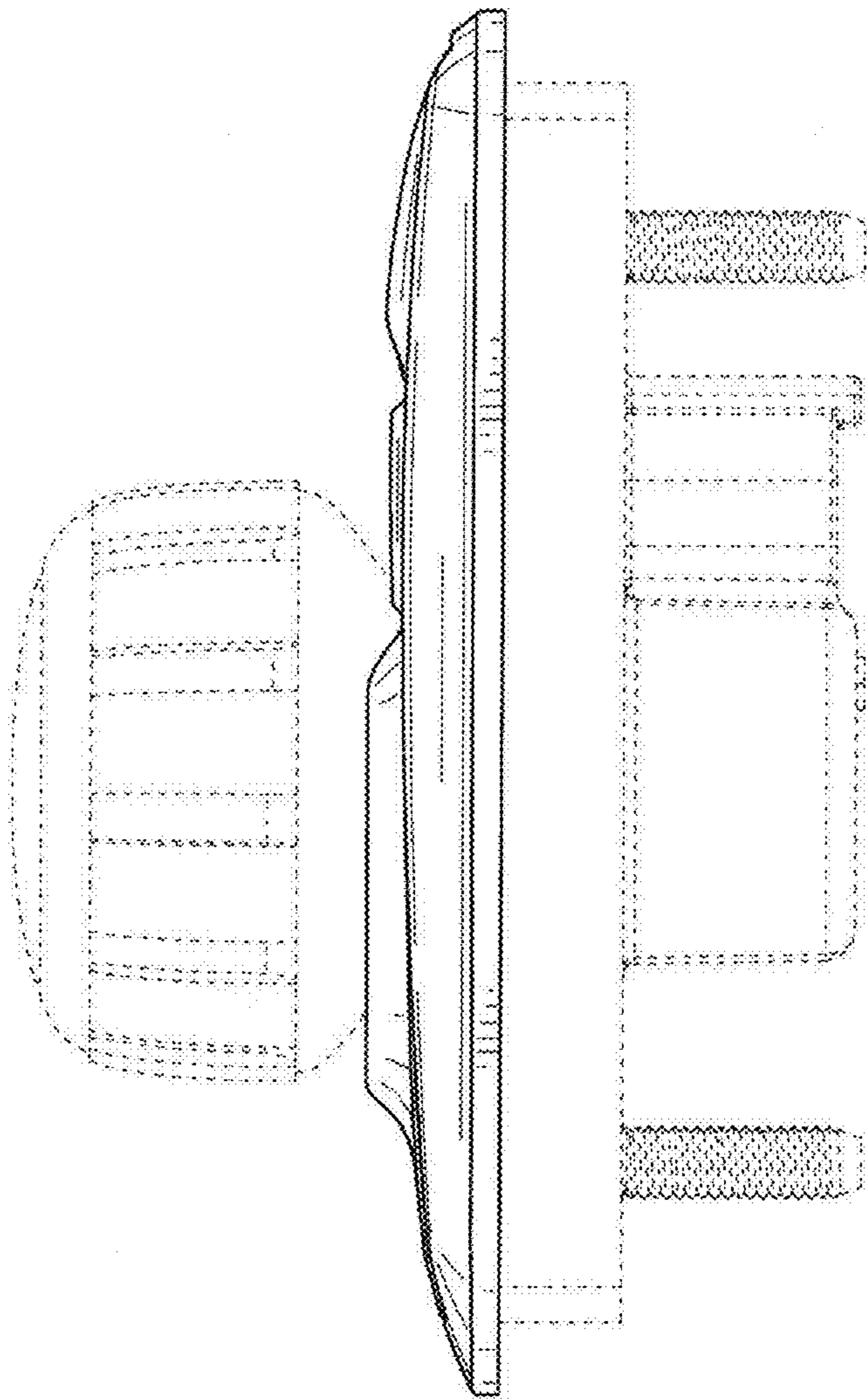


FIG. 7