



US00D765610S

(12) **United States Design Patent** (10) **Patent No.:** **US D765,610 S**
Hamlin (45) **Date of Patent:** **** Sep. 6, 2016**

(54) **BUTTON ASSEMBLY**

(71) Applicant: **Gentex Corporation**, Zeeland, MI (US)

(72) Inventor: **Bradley R. Hamlin**, Allendale, MI (US)

(73) Assignee: **GENTEX CORPORATION**, Zeeland, MI (US)

(**) Term: **15 Years**

(21) Appl. No.: **29/532,241**

(22) Filed: **Jul. 2, 2015**

Related U.S. Application Data

(63) Continuation of application No. 29/486,116, filed on Mar. 26, 2014.

(51) **LOC (10) Cl.** **13-03**

(52) **U.S. Cl.**
USPC **D13/174**

(58) **Field of Classification Search**

USPC D13/171, 173, 174; D10/108, 118
CPC H01H 3/02; H01H 3/12; H01H 3/122;
H01H 9/02; H01H 9/16; H01H 9/161;
H01H 9/18; H01H 9/181; H01H 9/182;
H01H 13/023; H01H 13/04; H01H 13/14;
H01H 13/20; H01H 13/30; H01H 13/68;
H01H 13/70; H01H 13/702; H01H 13/83;
H01H 13/86; H01H 25/065; H01H 2221/00;
B62K 11/14; B62K 23/02

See application file for complete search history.

(56) **References Cited**

U.S. PATENT DOCUMENTS

2,363,854 A 11/1944 Bierenfeld
4,343,973 A 8/1982 Main
4,924,046 A 5/1990 Howard
D319,628 S 9/1991 Whitley, II

D324,511 S 3/1992 Ginther et al.
D500,744 S 1/2005 Michaud
D550,632 S 9/2007 Samuels et al.
D559,800 S 1/2008 Neveu
7,332,681 B2 2/2008 Wohlfart
D737,227 S * 8/2015 Hamlin D13/174
2001/0025772 A1 10/2001 Ogawa et al.
2003/0116415 A1 6/2003 Ardrey et al.
2005/0189205 A1 9/2005 Fujii et al.
2008/0041708 A1 2/2008 James
2009/0195406 A1 8/2009 Brown et al.
2011/0108403 A1 5/2011 Kukita
2011/0284349 A1 11/2011 Chang
2012/0160643 A1 6/2012 Fujibayashi

* cited by examiner

Primary Examiner — Selina Sikder

(74) *Attorney, Agent, or Firm* — Price Heneveld LLP; Scott P. Ryan

(57) **CLAIM**

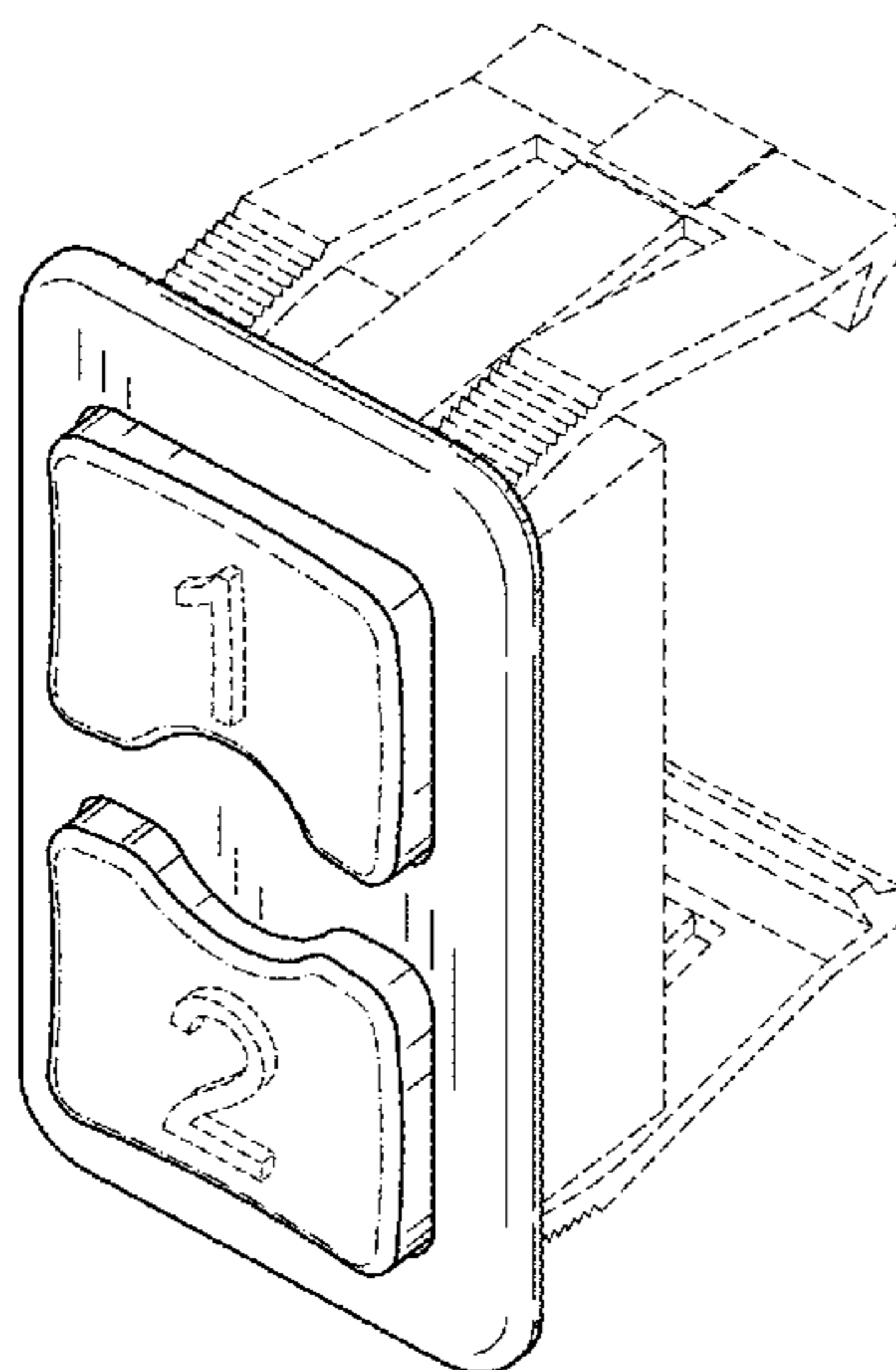
I claim the ornamental design for a button assembly, as shown and described.

DESCRIPTION

FIG. 1 is a top perspective view of a button assembly of the present disclosure;
FIG. 2 is a front elevational view of the button assembly of FIG. 1;
FIG. 3 is a rear elevational view of the button assembly of FIG. 1;
FIG. 4 is a side elevational view of the button assembly of FIG. 1;
FIG. 5 is a top plan view of the button assembly of FIG. 1; and,
FIG. 6 is a bottom plan view of the button assembly of FIG. 1.

The dash-dash broken line showing of the environment is for illustrative purpose only and forms no part of the claimed design. The dash-dot broken lines define the bounds of the claimed design and form no part thereof.

1 Claim, 2 Drawing Sheets



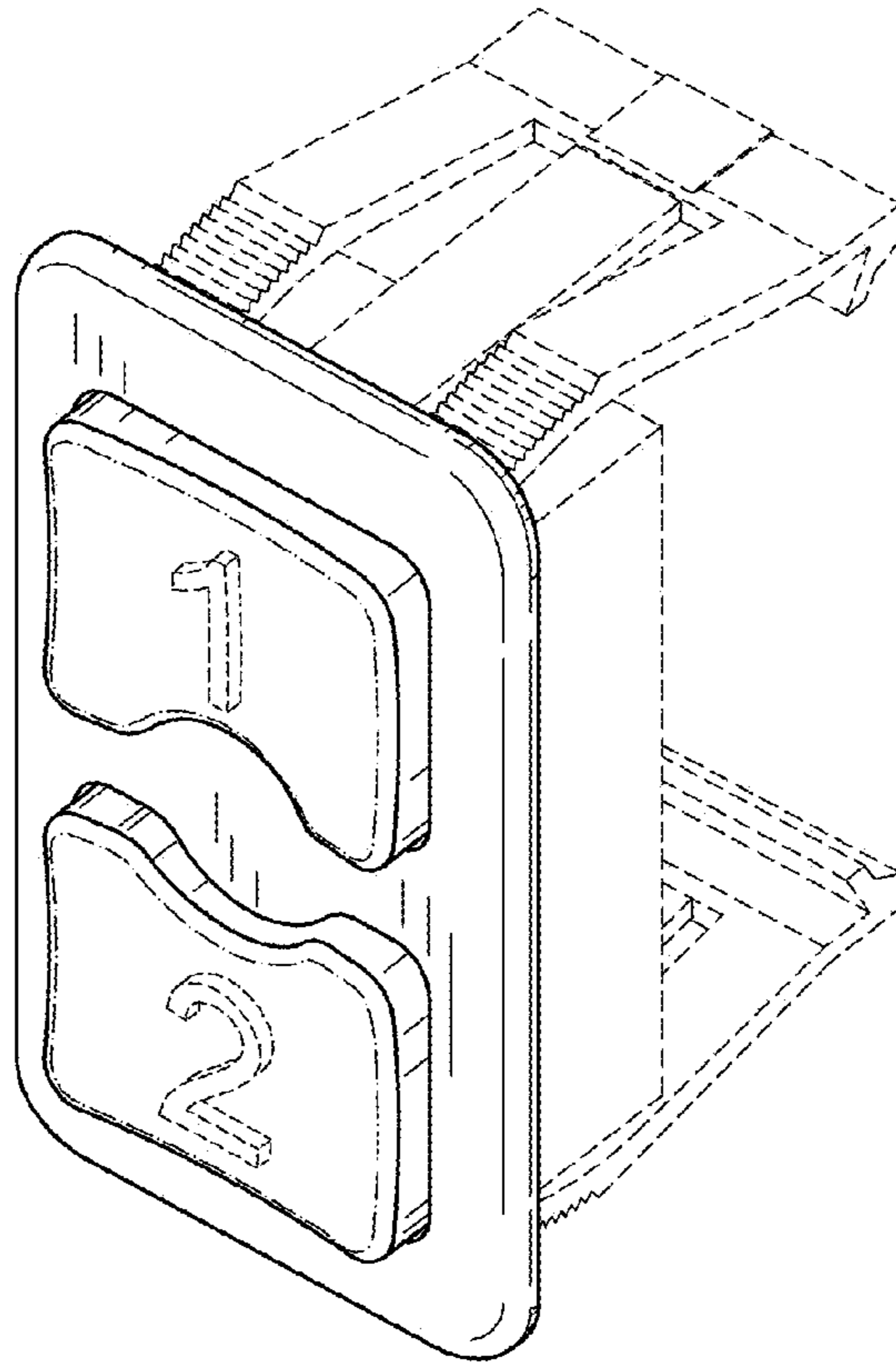


FIG. 1

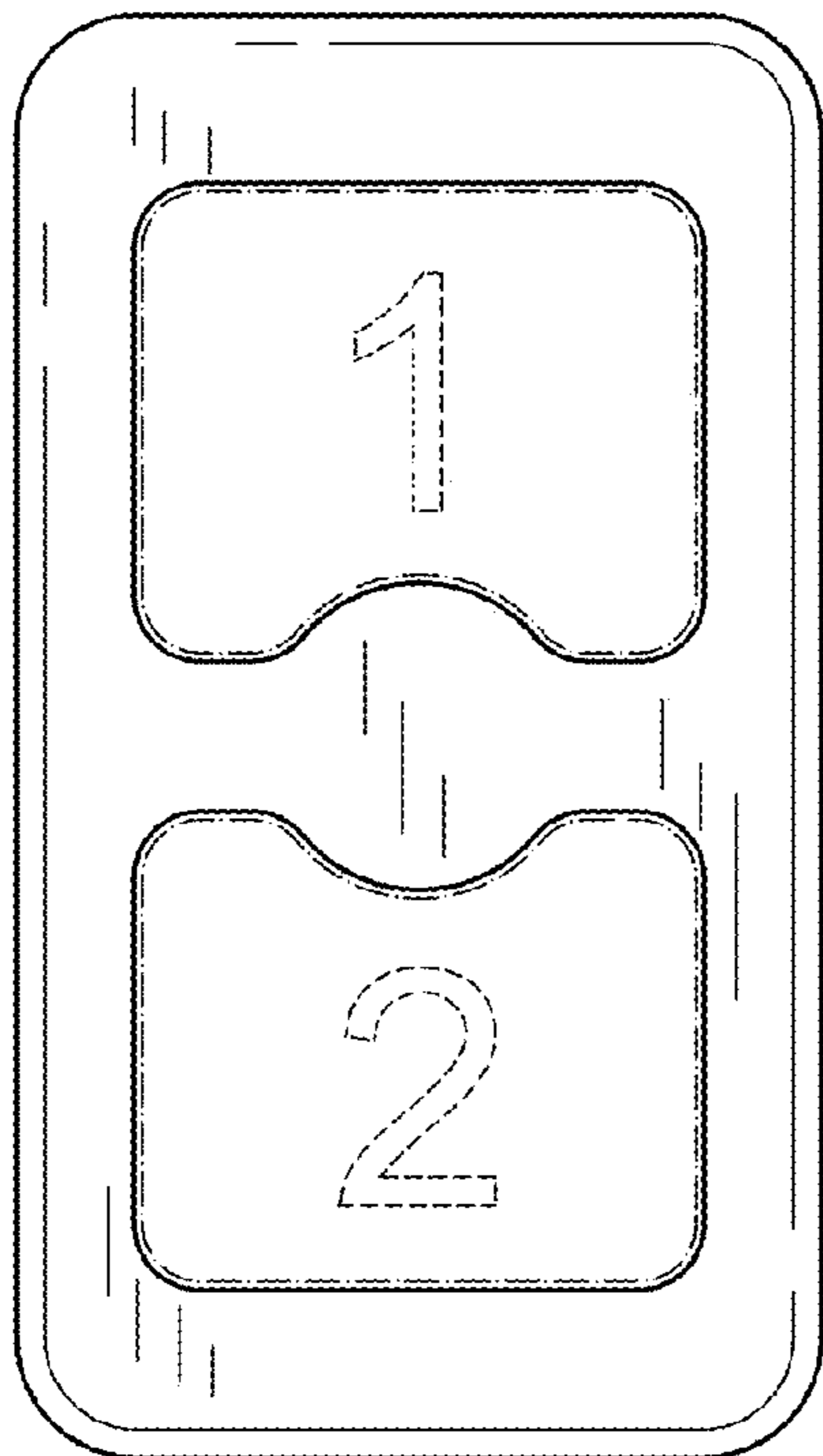


FIG. 2

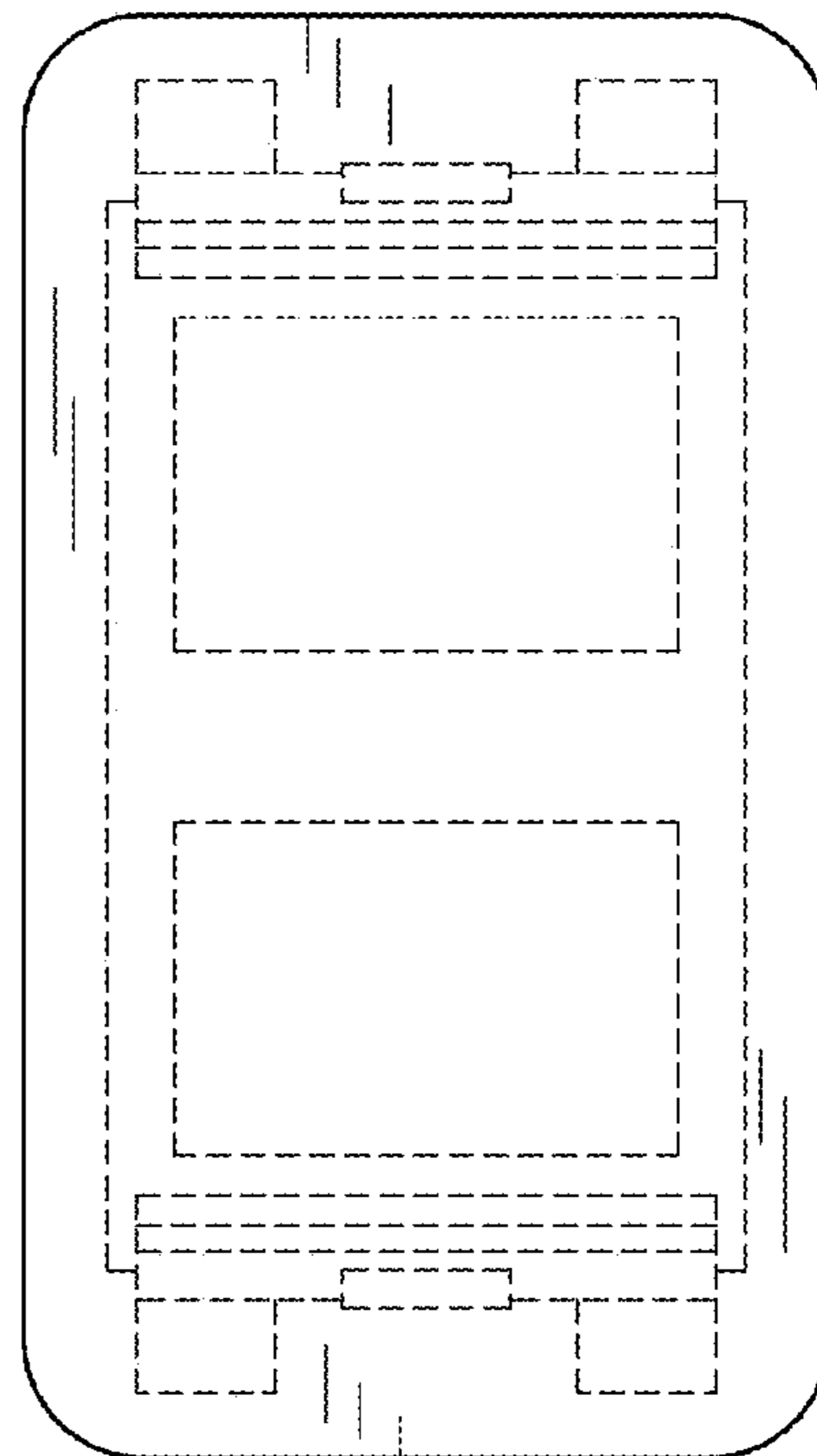


FIG. 3

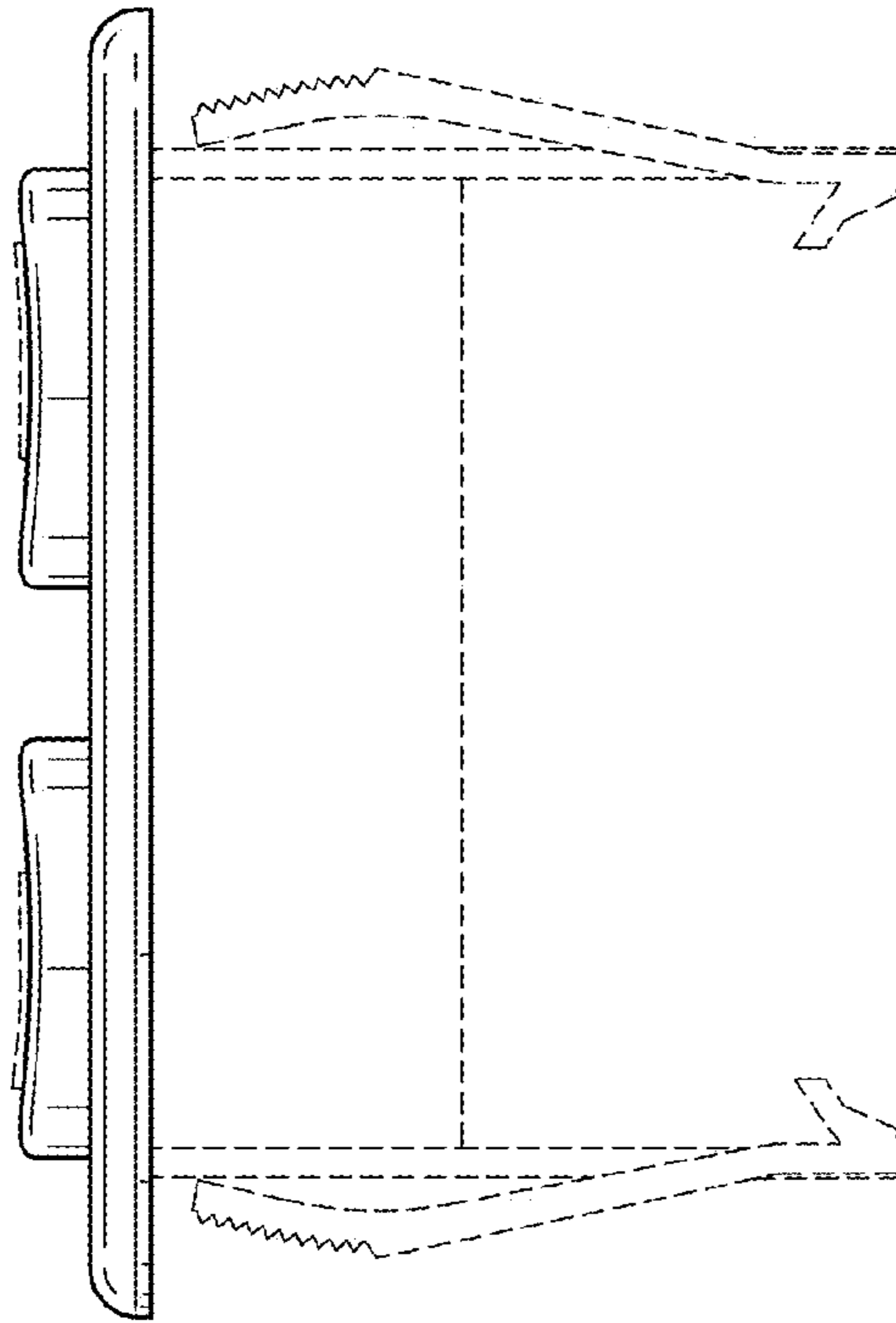


FIG. 4

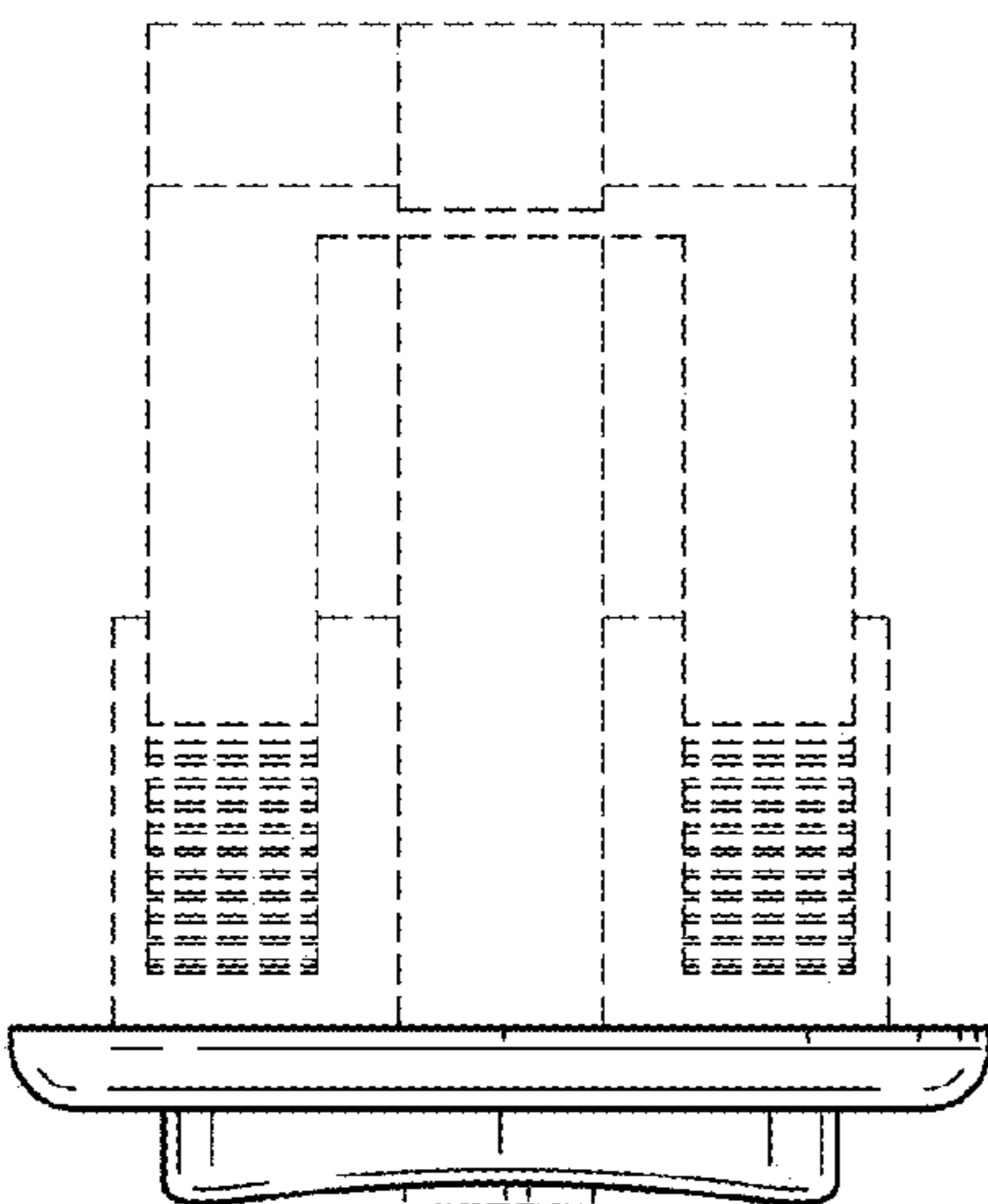


FIG. 5

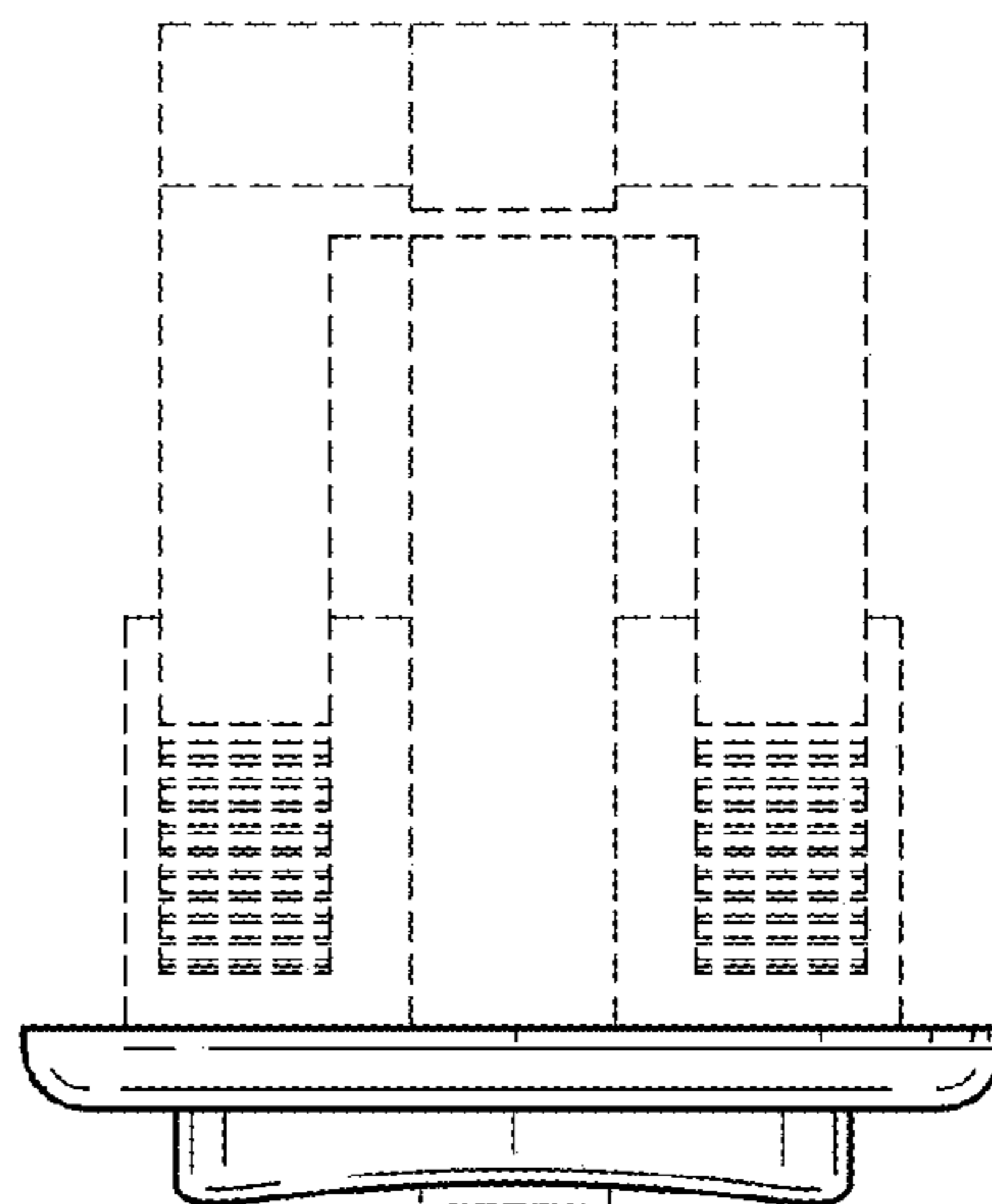


FIG. 6