



US00D765609S

(12) **United States Design Patent**
Hasegawa

(10) **Patent No.:** **US D765,609 S**
(45) **Date of Patent:** **** Sep. 6, 2016**

- (54) **REMOTE CONTROLLER**
- (71) Applicant: **Panasonic Intellectual Property Management Co., Ltd.**, Osaka-shi, Osaka (JP)
- (72) Inventor: **Takashi Hasegawa**, Osaka (JP)
- (73) Assignee: **PANASONIC INTELLECTUAL PROPERTY MANAGEMENT CO., LTD.**, Osaka (JP)
- (**) Term: **15 Years**
- (21) Appl. No.: **29/537,365**
- (22) Filed: **Aug. 25, 2015**
- (51) **LOC (10) Cl.** **14-03**
- (52) **U.S. Cl.**
USPC **D13/168**
- (58) **Field of Classification Search**
USPC D13/168; D10/104.1, 106.1; D3/207, D3/208; D8/347
CPC . B60R 2225/00; B60R 25/00; B60R 25/104; H01H 9/02; H01H 9/0214; H01H 9/0235; G07C 9/00944; G05B 1/01; E05B 19/0082; E05B 19/04; Y10T 70/8676
See application file for complete search history.

7,898,387	B2 *	3/2011	Jalil	G08C 17/00	340/5.23
8,072,766	B2 *	12/2011	Shimura	G07C 9/00944	174/359
8,406,000	B2 *	3/2013	Zaitz	G07C 9/00944	361/752
8,479,547	B2 *	7/2013	Kataya	E05B 19/00	206/37.3
8,534,104	B2 *	9/2013	Shimura	E05B 19/0082	70/252
8,541,705	B2 *	9/2013	Dimig	E05B 19/0082	200/302.2
8,928,455	B2 *	1/2015	Idsoe	G06F 21/32	235/454
9,244,480	B2 *	1/2016	Jurek	H01H 9/0235	
2006/0186990	A1 *	8/2006	Yamamoto	B60R 25/24	340/5.61
2007/0227866	A1 *	10/2007	Dimig	E05B 19/0082	200/302.2
2013/0145803	A1 *	6/2013	Kataya	E05B 19/00	70/447
2014/0190737	A1 *	7/2014	Chen	G07C 9/00944	174/535
2015/0204108	A1 *	7/2015	Ghabra	E05B 19/0082	70/456 R

* cited by examiner

Primary Examiner — Selina Sikder
(74) *Attorney, Agent, or Firm* — Brinks Gilson & Lione

(57) **CLAIM**
I claim the ornamental design for a remote controller, as shown and described.

DESCRIPTION

FIG. 1 is a front and top perspective view of a remote controller of the present invention;
FIG. 2 is a rear and top perspective view thereof;
FIG. 3 is a front view thereof;
FIG. 4 is a rear view thereof;
FIG. 5 is a first side view thereof;
FIG. 6 is a second side view thereof;
FIG. 7 is a top view thereof; and,
FIG. 8 is a bottom view thereof.
The broken lines shown represent unclaimed subject matter and form no part of the claimed design. Additionally, the unevenly broken lines in the drawings define the limits of the claimed design.

1 Claim, 8 Drawing Sheets

- (56) **References Cited**
U.S. PATENT DOCUMENTS
- D355,895 S 2/1995 Soren et al.
- D406,107 S * 2/1999 Flick D13/168
- D418,141 S 12/1999 Godette et al.
- D433,404 S 11/2000 Thakur
- 7,041,924 B2 * 5/2006 Jeschke G07C 9/00944
200/302.2
- 7,050,292 B2 * 5/2006 Shimura B60R 16/0239
200/302.2
- D556,701 S * 12/2007 Nohara D13/168
- D558,153 S 12/2007 To
- D583,773 S 12/2008 To
- 7,463,134 B1 * 12/2008 Stilley A45C 11/18
340/5.61
- D605,605 S * 12/2009 To D13/168

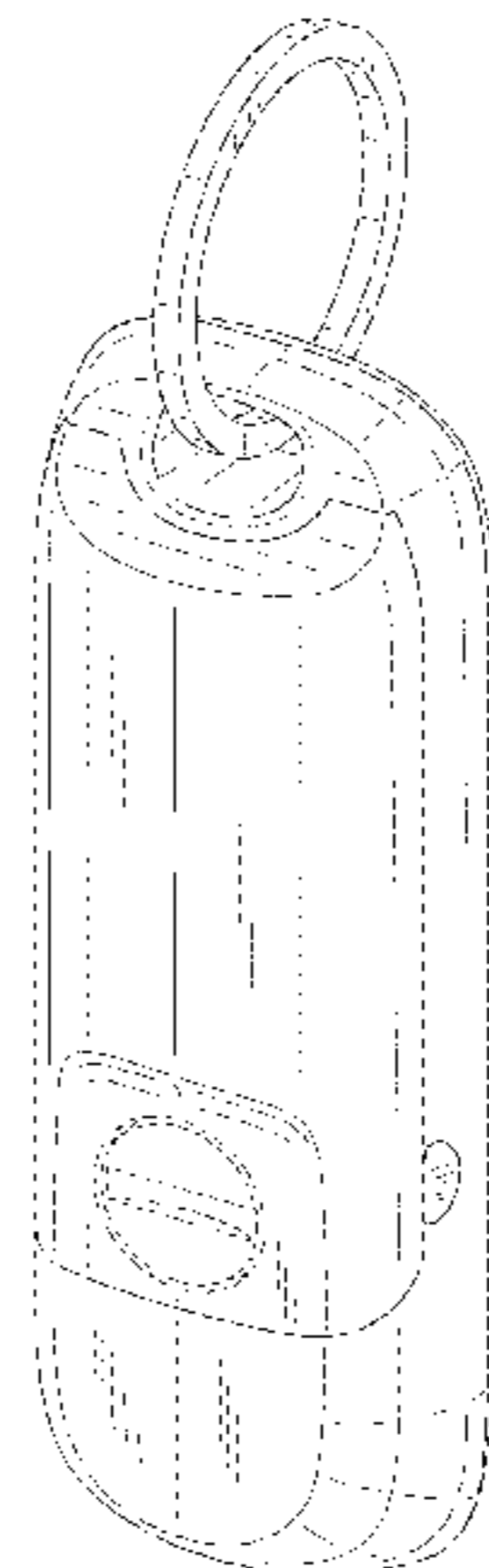
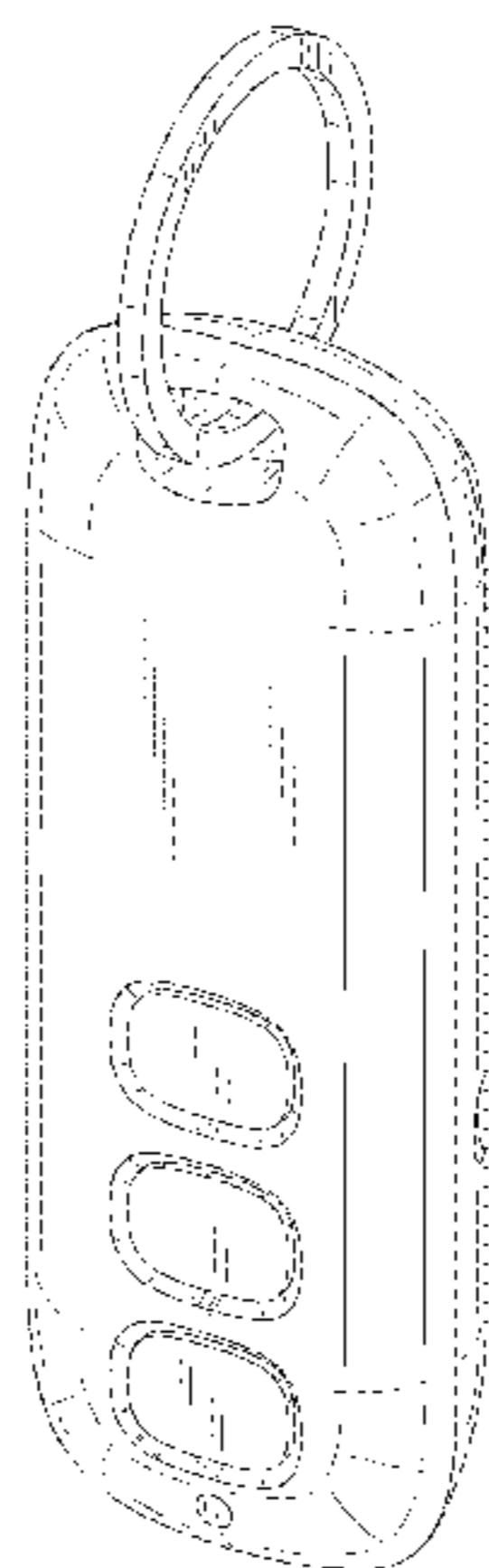


FIG. 1

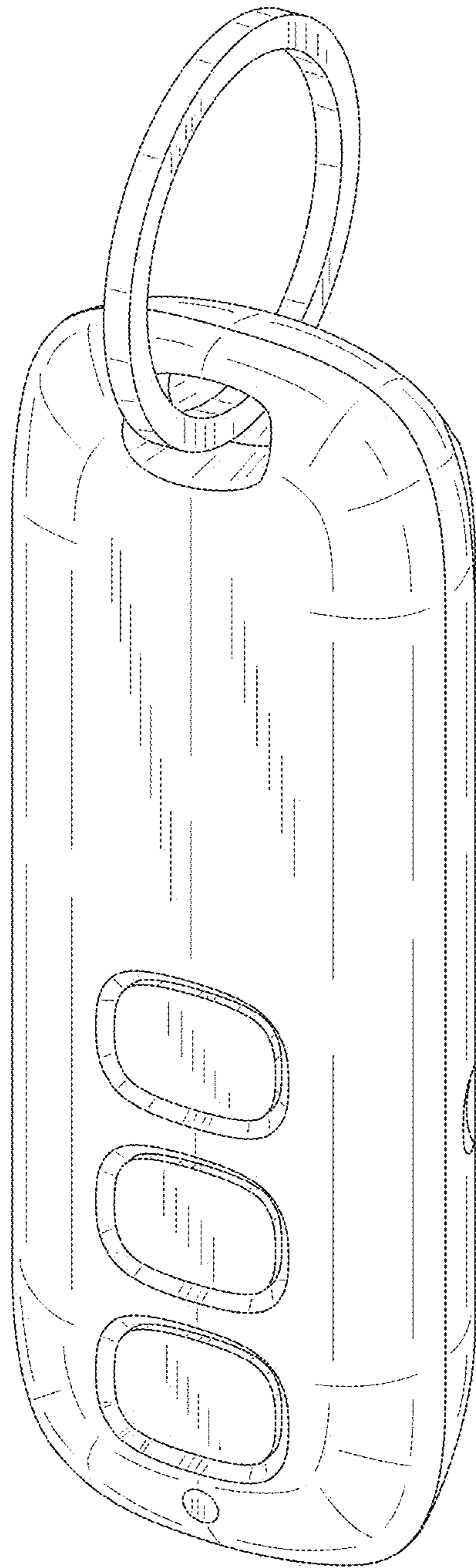


FIG.2

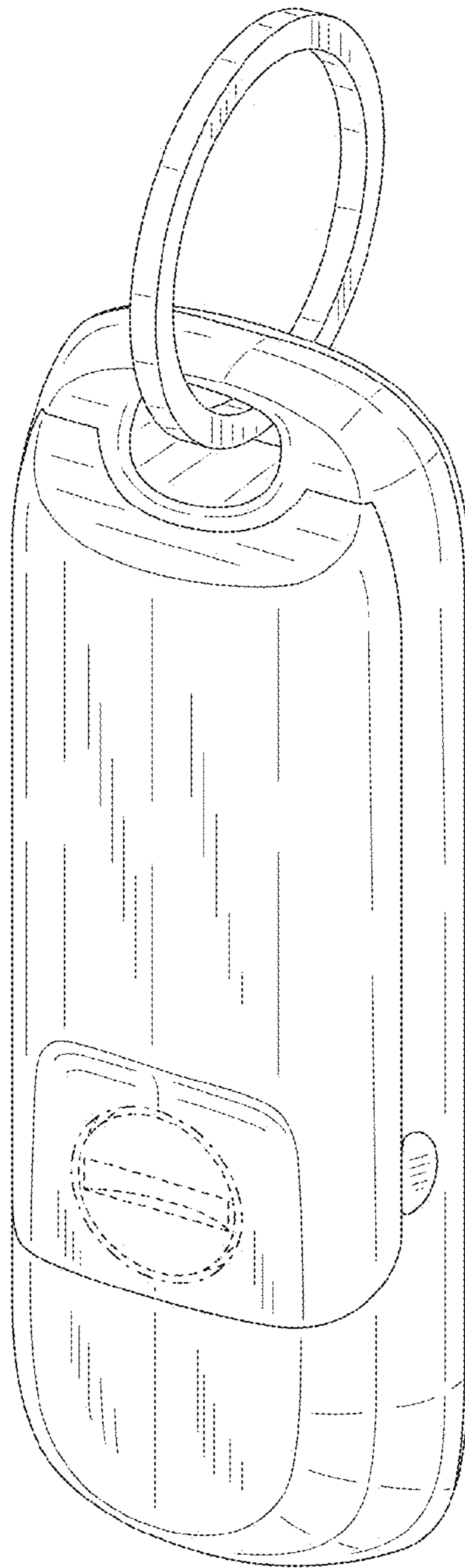


FIG.3

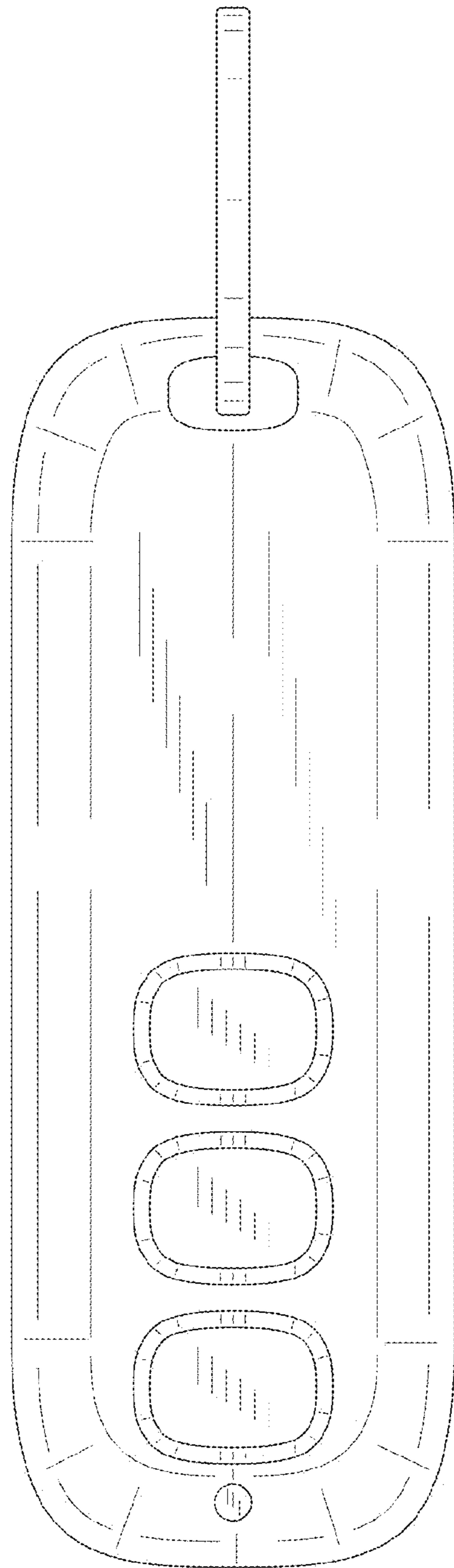


FIG.4

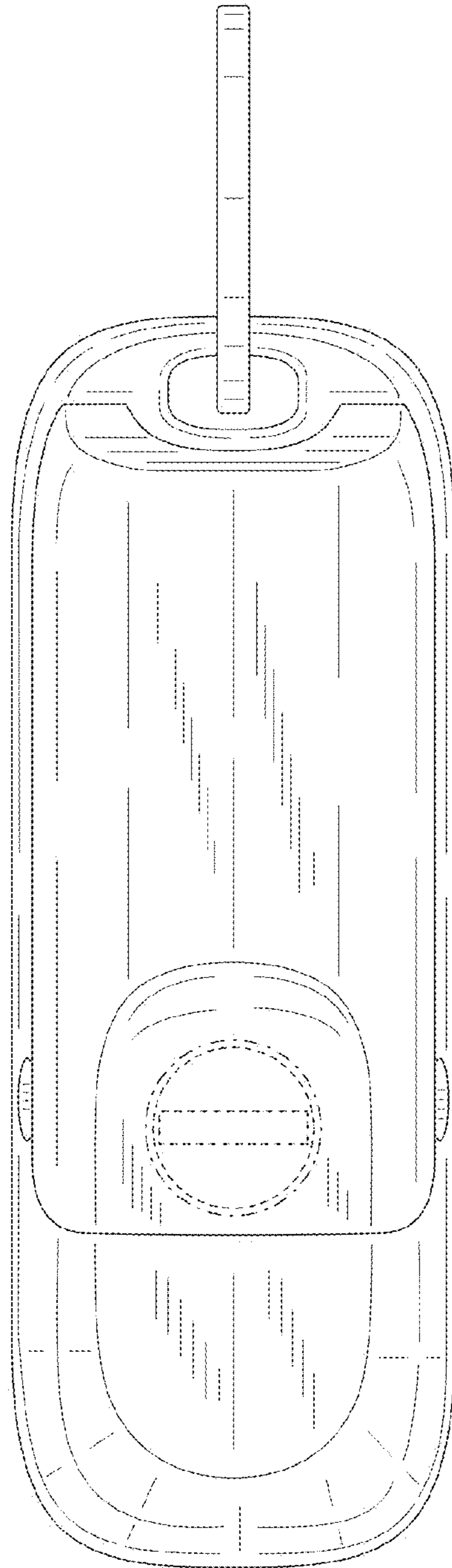


FIG. 5

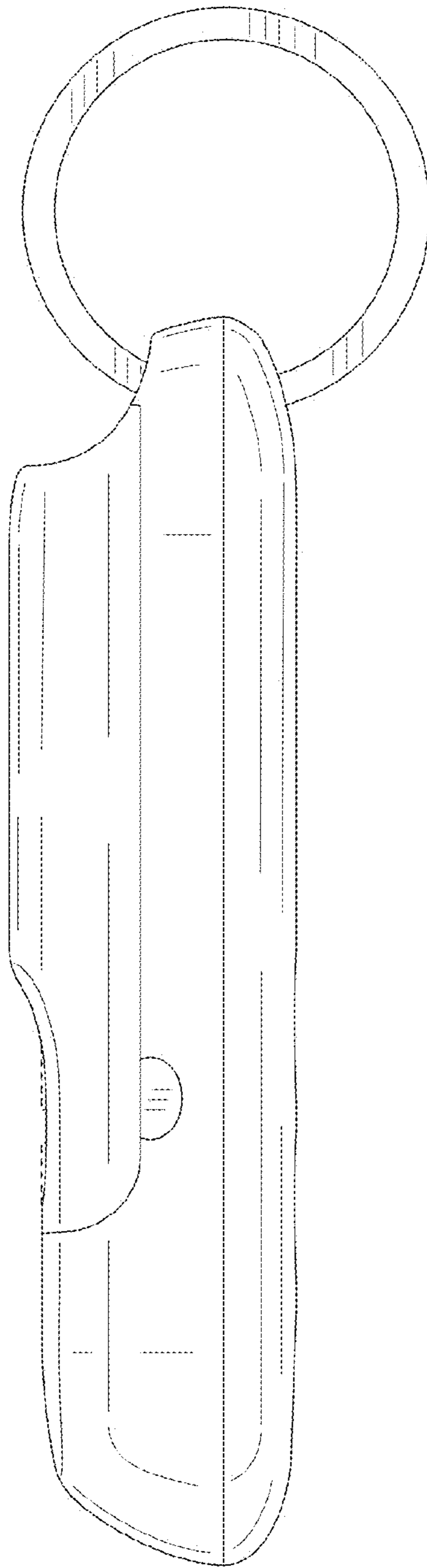


FIG.6

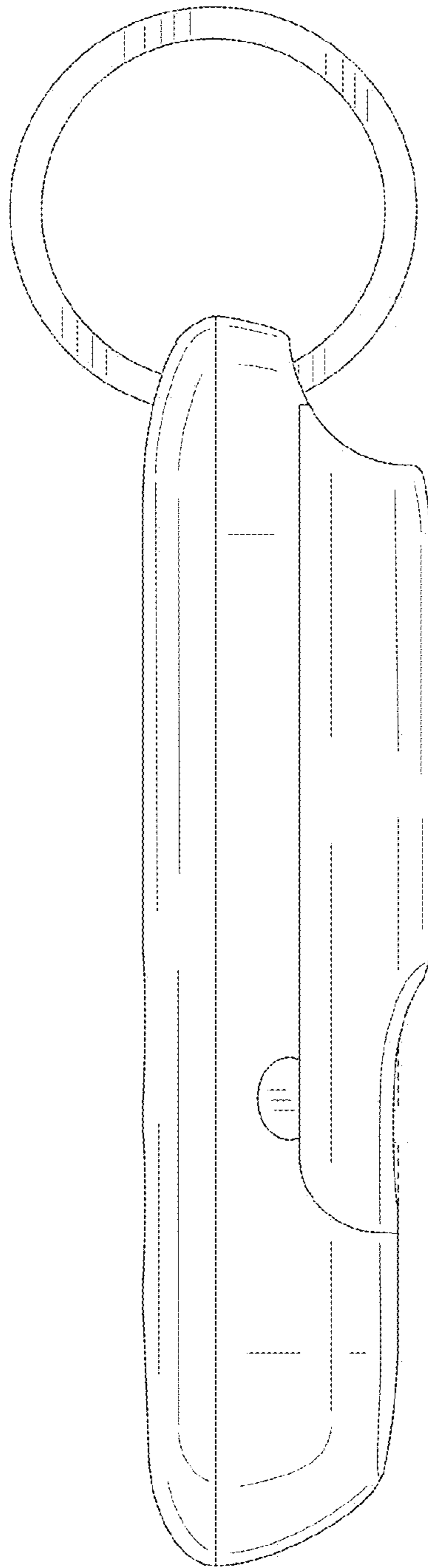


FIG. 7

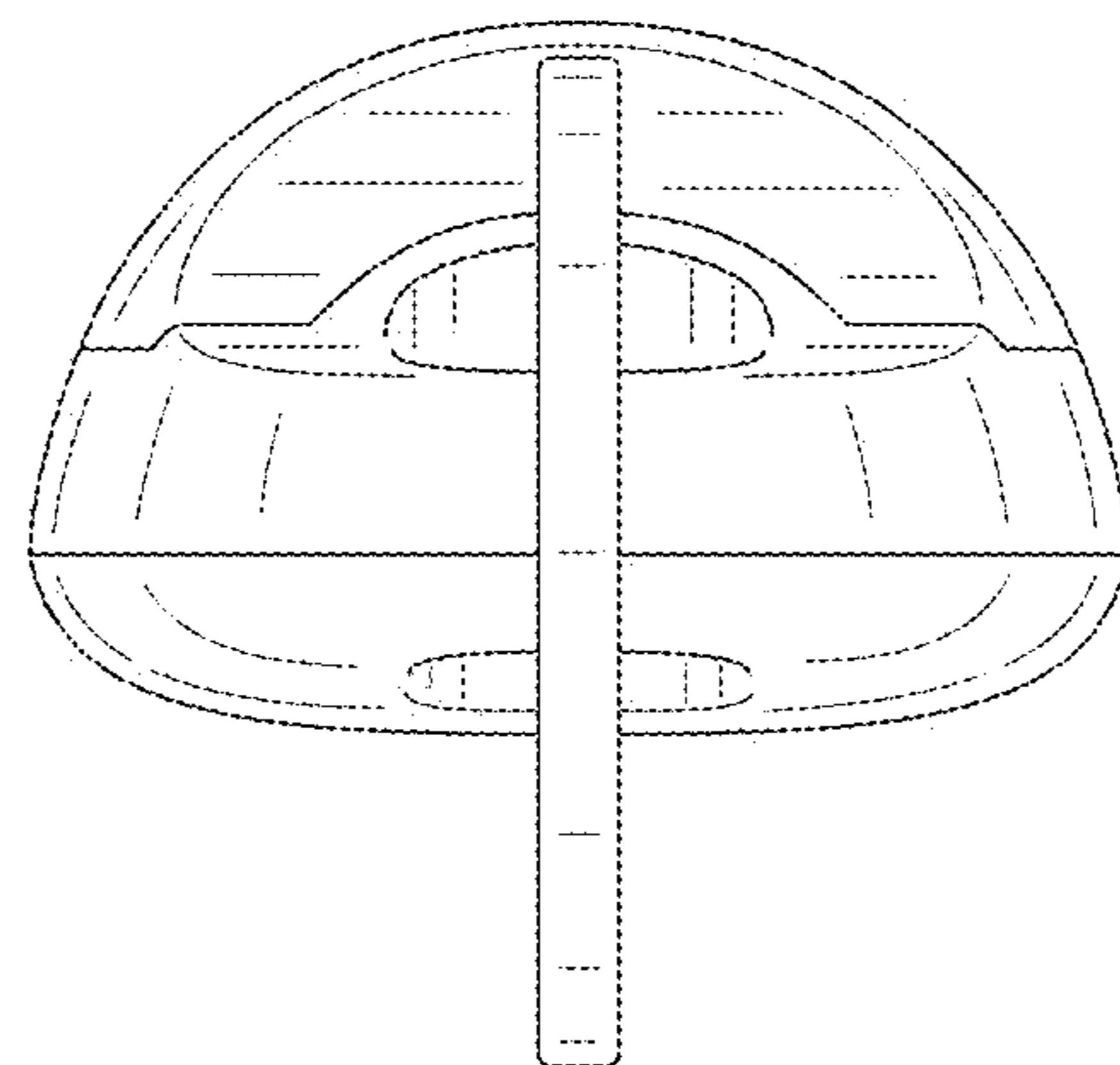


FIG. 8

