



US00D765608S

(12) **United States Design Patent**
Park et al.

(10) **Patent No.:** **US D765,608 S**
(45) **Date of Patent:** **** Sep. 6, 2016**

(54) **SMART KEY FOR AUTOMOBILES**

(71) Applicant: **LG ELECTRONICS INC., Seoul (KR)**

(72) Inventors: **Soonhyun Park, Seoul (KR); Cheolwoong Shin, Seoul (KR); Hongsik Kim, Seoul (KR); Jinki Min, Seoul (KR); Seunghwan Song, Seoul (KR); Byunghyun Yi, Seoul (KR); Jiyoun Cha, Seoul (KR)**

(73) Assignee: **LG Electronics Inc., Seoul (KR)**

(**) Term: **15 Years**

(21) Appl. No.: **29/534,898**

(22) Filed: **Jul. 31, 2015**

(30) **Foreign Application Priority Data**

Feb. 3, 2015 (KR) 30-2015-0005937

(51) **LOC (10) Cl.** **14-03**

(52) **U.S. Cl.**
USPC **D13/168; D8/347**

(58) **Field of Classification Search**
USPC D13/168; D10/2, 31, 104.1, 106.1, 122, D10/126, 128; D3/207, 208, 215; D8/347
CPC . B60R 2225/00; B60R 25/00; B60R 25/104; H01H 9/02; H01H 9/0214; H01H 9/0235; G07C 9/009944; G05B 1/01; E05B 19/0082; E05B 19/04; Y10T 70/8676
See application file for complete search history.

(56) **References Cited**

U.S. PATENT DOCUMENTS

843,050 A * 2/1907 Wallerstedt A45F 5/02 150/150
5,220,319 A * 6/1993 Kendel A44B 15/005 206/37.1
5,501,089 A * 3/1996 Song A44B 15/00 40/634

5,614,885 A * 3/1997 Van Lente B60R 1/04 340/12.28
D412,514 S * 8/1999 Hench D3/208
D415,441 S * 10/1999 Pinchuk D10/104.1
D454,338 S * 3/2002 Lin D13/168
6,351,903 B1 * 3/2002 Tuomi A44B 15/005 206/38.1
D459,314 S * 6/2002 Flick D10/104.1
D474,980 S * 5/2003 Finkay D10/31
D475,353 S * 6/2003 Flick D13/168
D496,912 S * 10/2004 To D13/168
D521,231 S * 5/2006 Ng D3/208
7,441,651 B1 * 10/2008 Sullivan A44B 15/005 206/37.1
D583,774 S * 12/2008 To D13/168
7,463,134 B1 * 12/2008 Stilley A45C 11/18 340/5.61
D604,039 S * 11/2009 Fleming D3/207
D605,605 S * 12/2009 To D13/168
D653,967 S * 2/2012 Blake D10/31
2008/0129448 A1 * 6/2008 Reichling G08C 17/02 340/5.72

* cited by examiner

Primary Examiner — Selina Sikder

(74) *Attorney, Agent, or Firm* — Birch, Stewart, Kolasch & Birch, LLP

(57) **CLAIM**

The ornamental design for a smart key for automobiles, as shown and described.

DESCRIPTION

FIG. 1 is a front perspective view of a smart key for automobiles showing our new design;
FIG. 2 is a from view thereof;
FIG. 3 is a rear view thereof;
FIG. 4 is a left side view thereof where the right side view is a mirror image;
FIG. 5 is a top plan view thereof;
FIG. 6 is a bottom plan view thereof; and,
FIG. 7 is a rear perspective view thereof.
The broken lines depict portions of the smart key for automobiles that form no part of the claimed design.

1 Claim, 6 Drawing Sheets

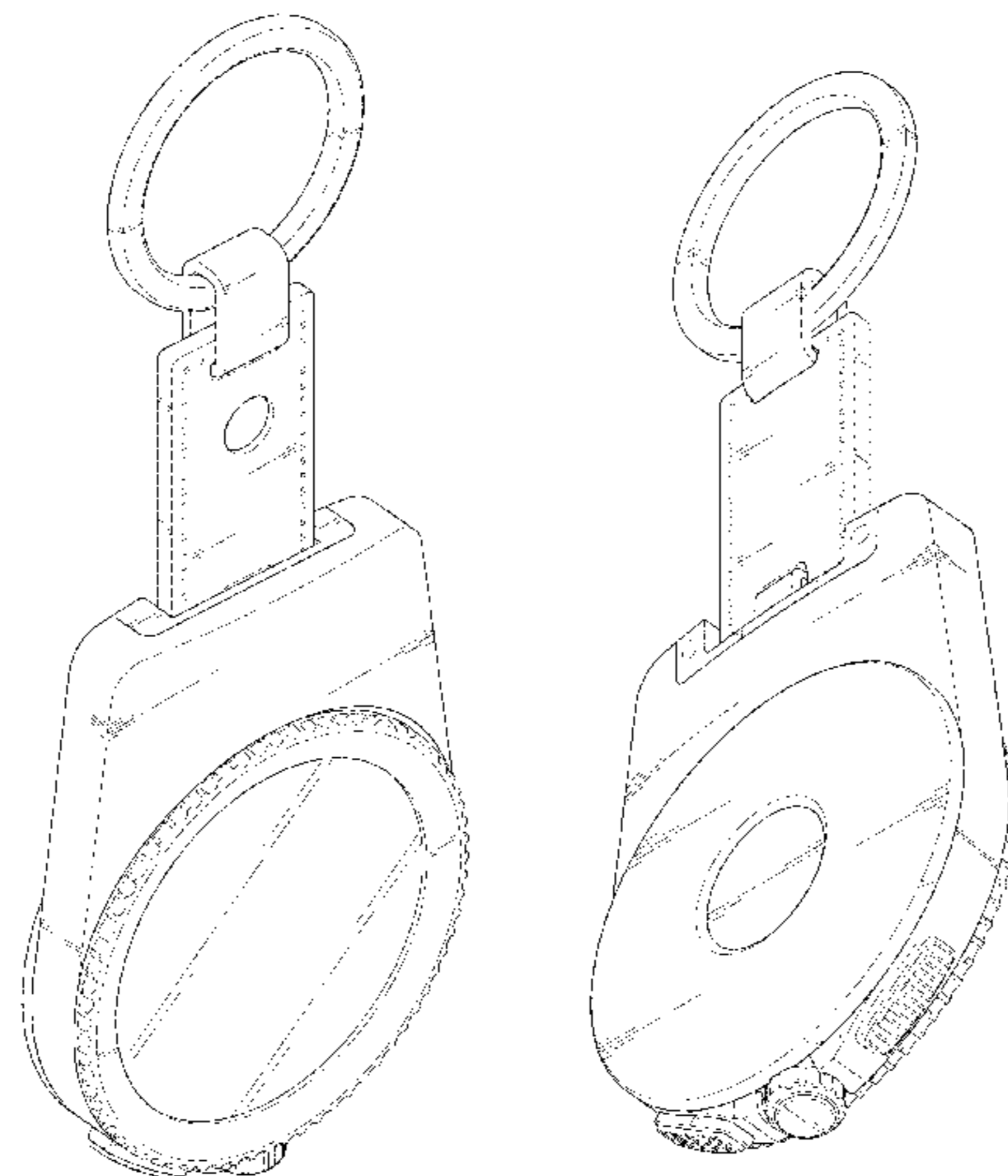


FIG. 1

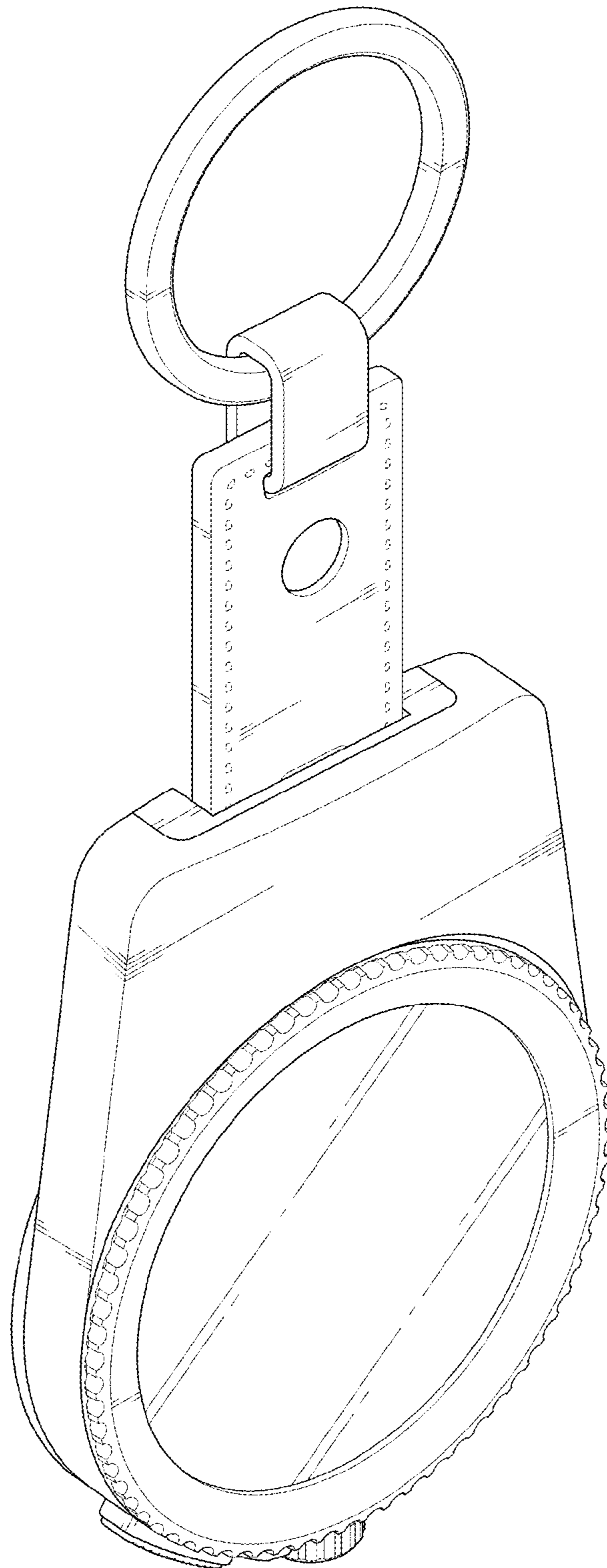


FIG. 2

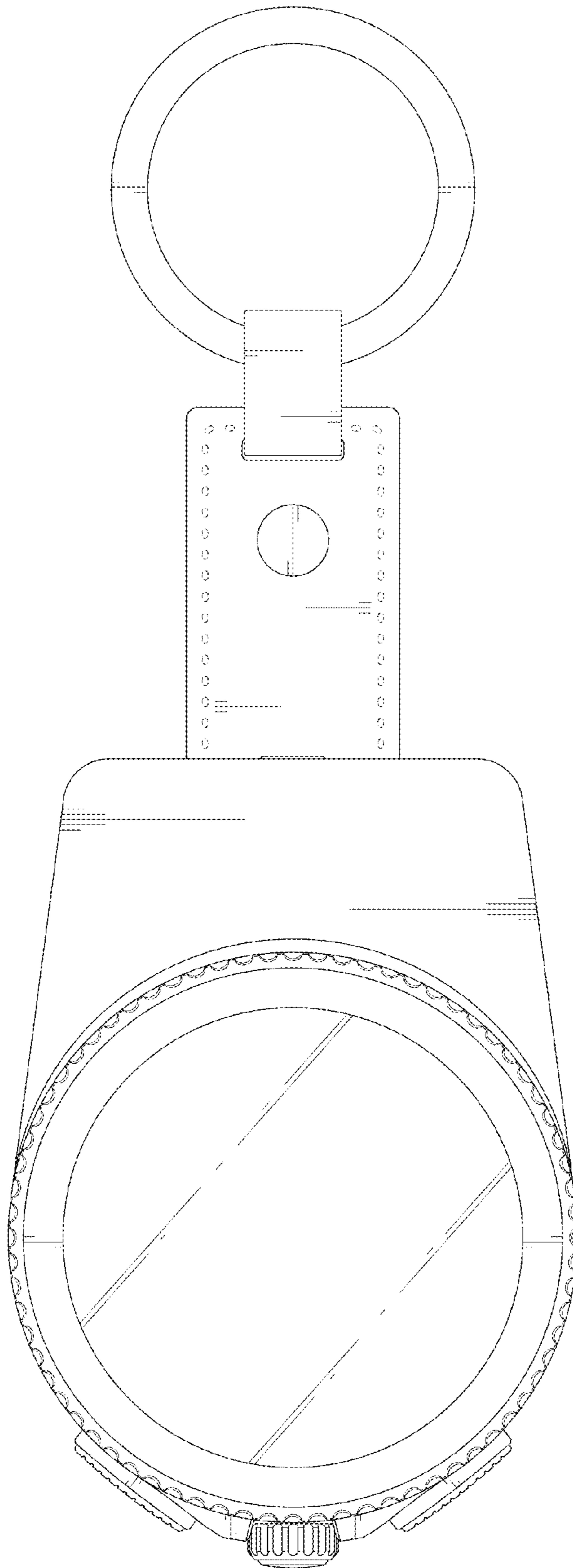


FIG. 3

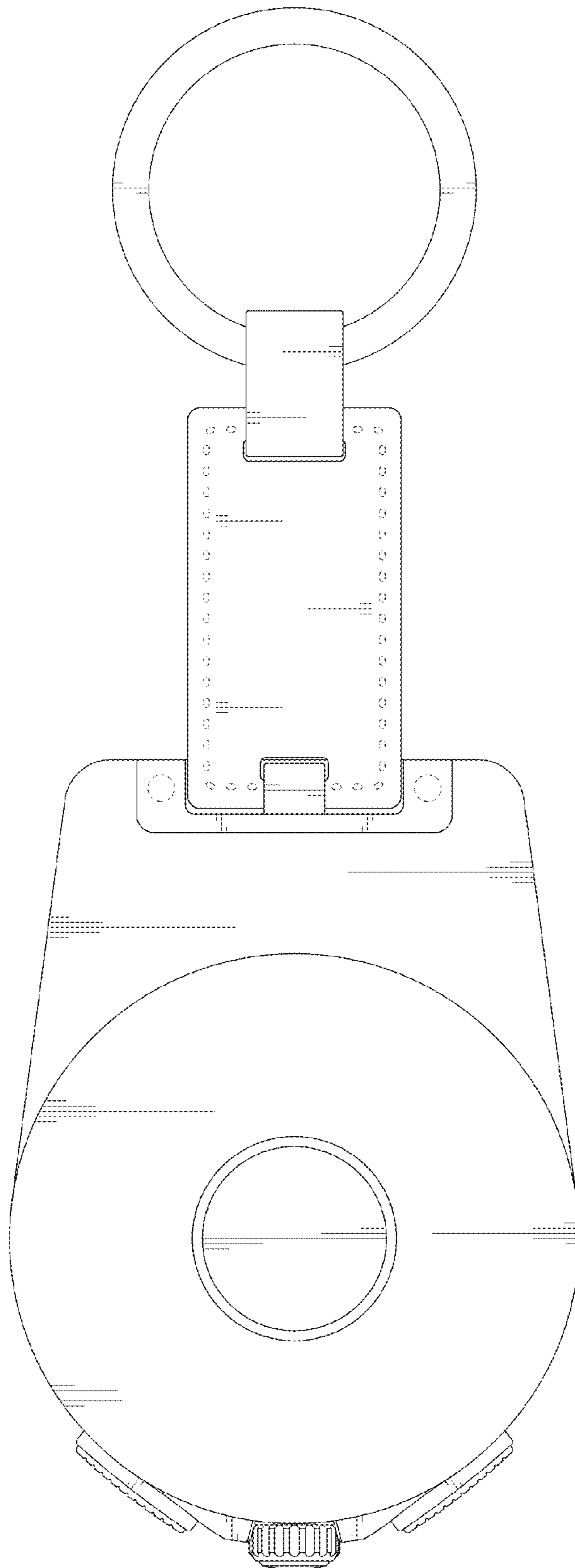


FIG. 4

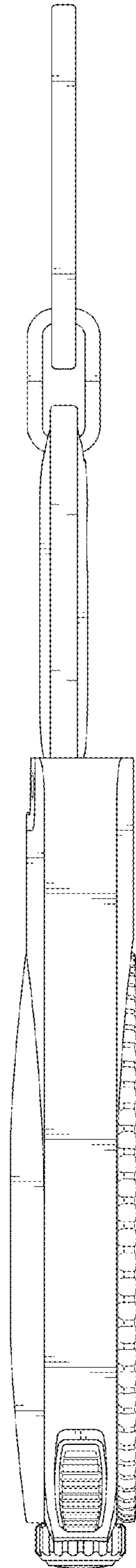


FIG. 5

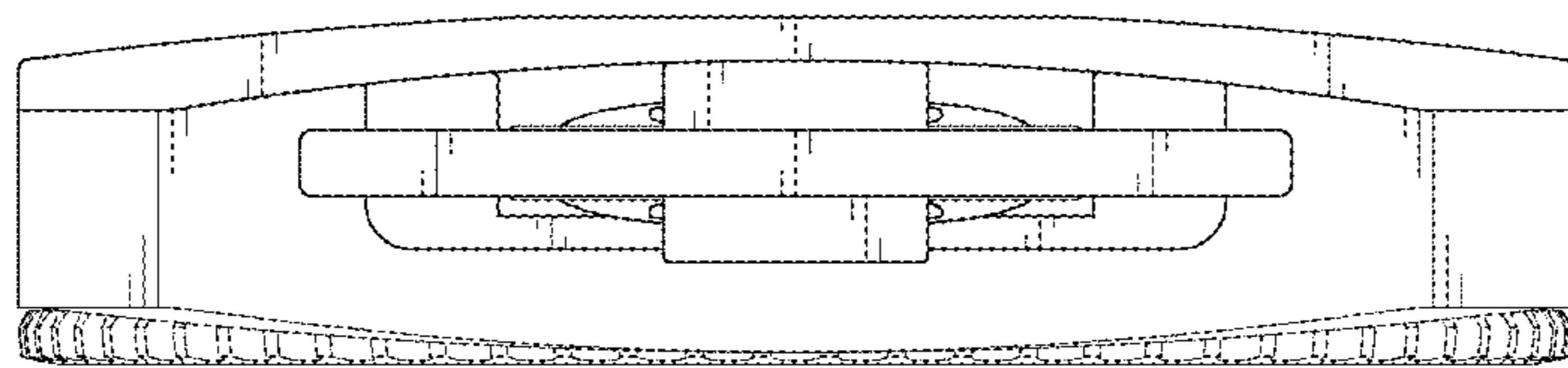


FIG. 6

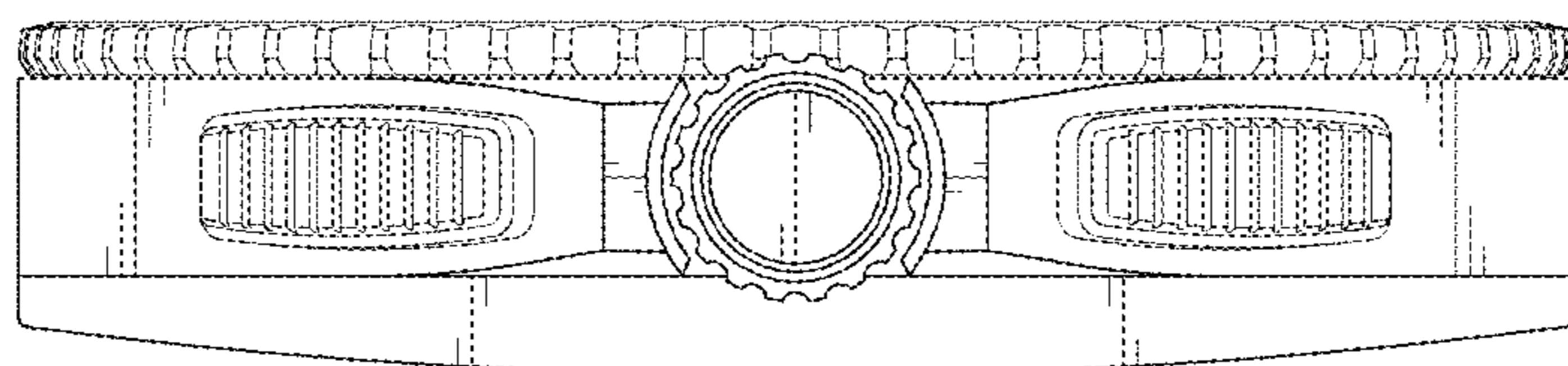


FIG. 7

