



US00D765607S

(12) **United States Design Patent** (10) **Patent No.:** **US D765,607 S**
Stieger (45) **Date of Patent:** **** Sep. 6, 2016**

(54) **CIRCUIT BREAKER**
(71) Applicant: **ABB Stotz-Kontakt GmbH**,
Heidelberg (DE)
(72) Inventor: **Albert Stieger**, Plankstadt (DE)
(73) Assignee: **ABB Stotz-Kontakt GMHB**,
Heidelberg (DE)
(**) Term: **14 Years**

(21) Appl. No.: **29/461,445**
(22) Filed: **Jul. 23, 2013**

(30) **Foreign Application Priority Data**
Jan. 25, 2013 (EM) 002172908-0002
(51) **LOC (10) Cl.** **13-03**
(52) **U.S. Cl.**
USPC **D13/160**
(58) **Field of Classification Search**
USPC D13/101, 110, 123, 133, 158-162,
D13/182-184, 199; 200/43.14, 50.01,
200/50.21-50.23, 293; 361/42, 44, 50, 71,
361/115, 608, 634
See application file for complete search history.

(56) **References Cited**
U.S. PATENT DOCUMENTS
3,970,975 A * 7/1976 Gryctko 335/18
D316,403 S * 4/1991 Mercer et al. D13/160
D320,783 S * 10/1991 Sharp et al. D13/160
D320,784 S * 10/1991 Sharp et al. D13/160

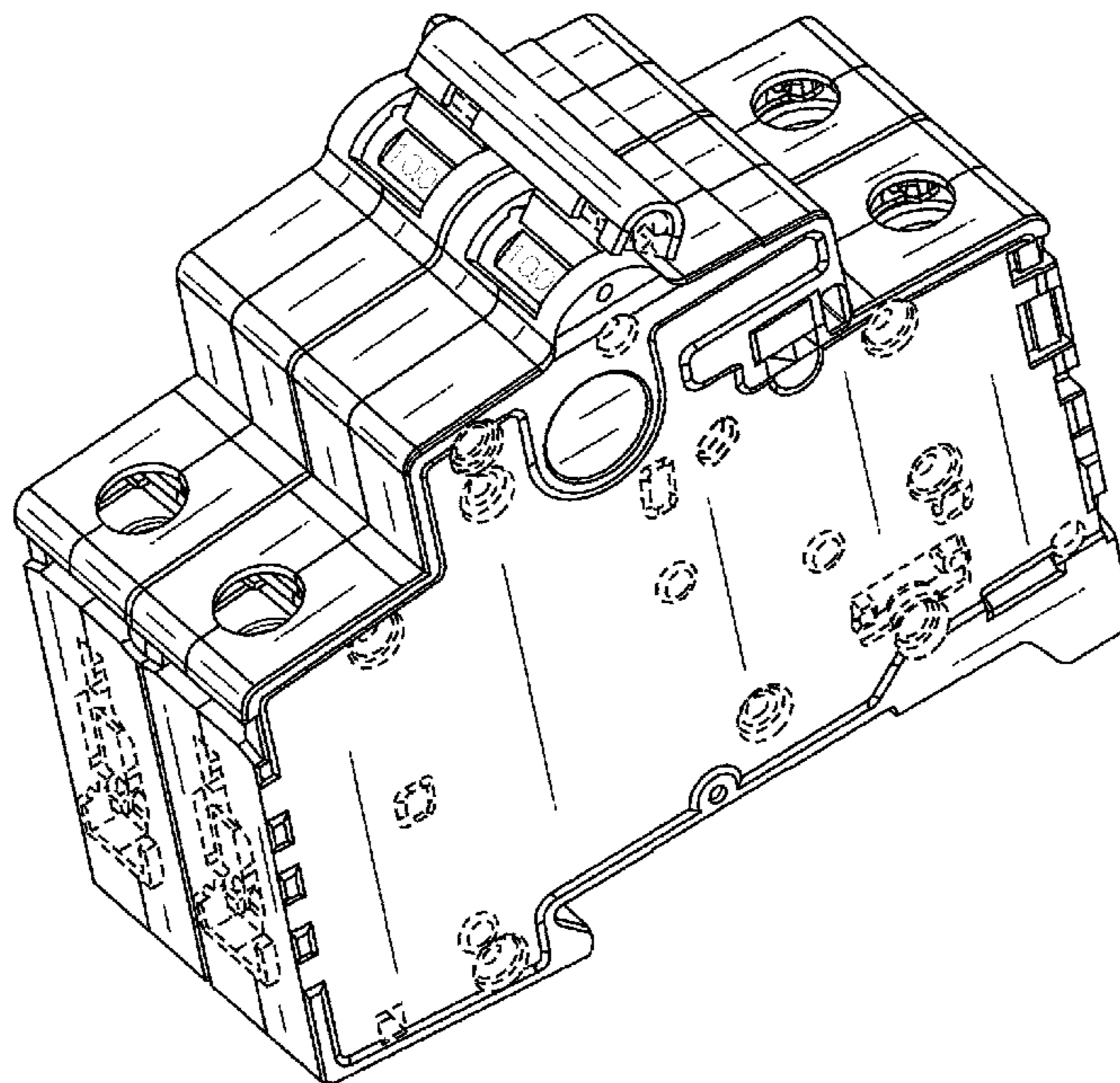
5,510,759 A * 4/1996 Gula et al. 335/18
6,737,594 B2 * 5/2004 Helms et al. 200/43.14
D550,630 S * 9/2007 Wang et al. D13/160
D658,135 S * 4/2012 Weber et al. D13/160
D658,136 S * 4/2012 Weber et al. D13/160
2003/0075429 A1 * 4/2003 Whipple et al. 200/293
2006/0125596 A1 * 6/2006 Darr H01H 9/104
337/194
2008/0277250 A1 * 11/2008 DeCook et al. 200/43.14
2010/0238611 A1 * 9/2010 DeBoer et al. 361/634
2013/0328657 A1 * 12/2013 Broghammer et al. 337/79

* cited by examiner
Primary Examiner — Thomas Johannes
Assistant Examiner — Shawn T Gingrich
(74) *Attorney, Agent, or Firm* — Taft Stettinius & Hollister

(57) **CLAIM**
The ornamental design for a circuit breaker, as shown and described.

DESCRIPTION
FIG. 1 is a perspective view of a circuit breaker showing my new design.
FIG. 2 is a front elevational view thereof.
FIG. 3 is a rear elevational view thereof.
FIG. 4 is a right side elevational view thereof.
FIG. 5 is a left side elevational view thereof.
FIG. 6 is a top plan view thereof; and,
FIG. 7 is a bottom plan view thereof.
The broken line portion of the drawing figures is used to show environmental subject matter only and forms no part of the claimed design.

1 Claim, 6 Drawing Sheets



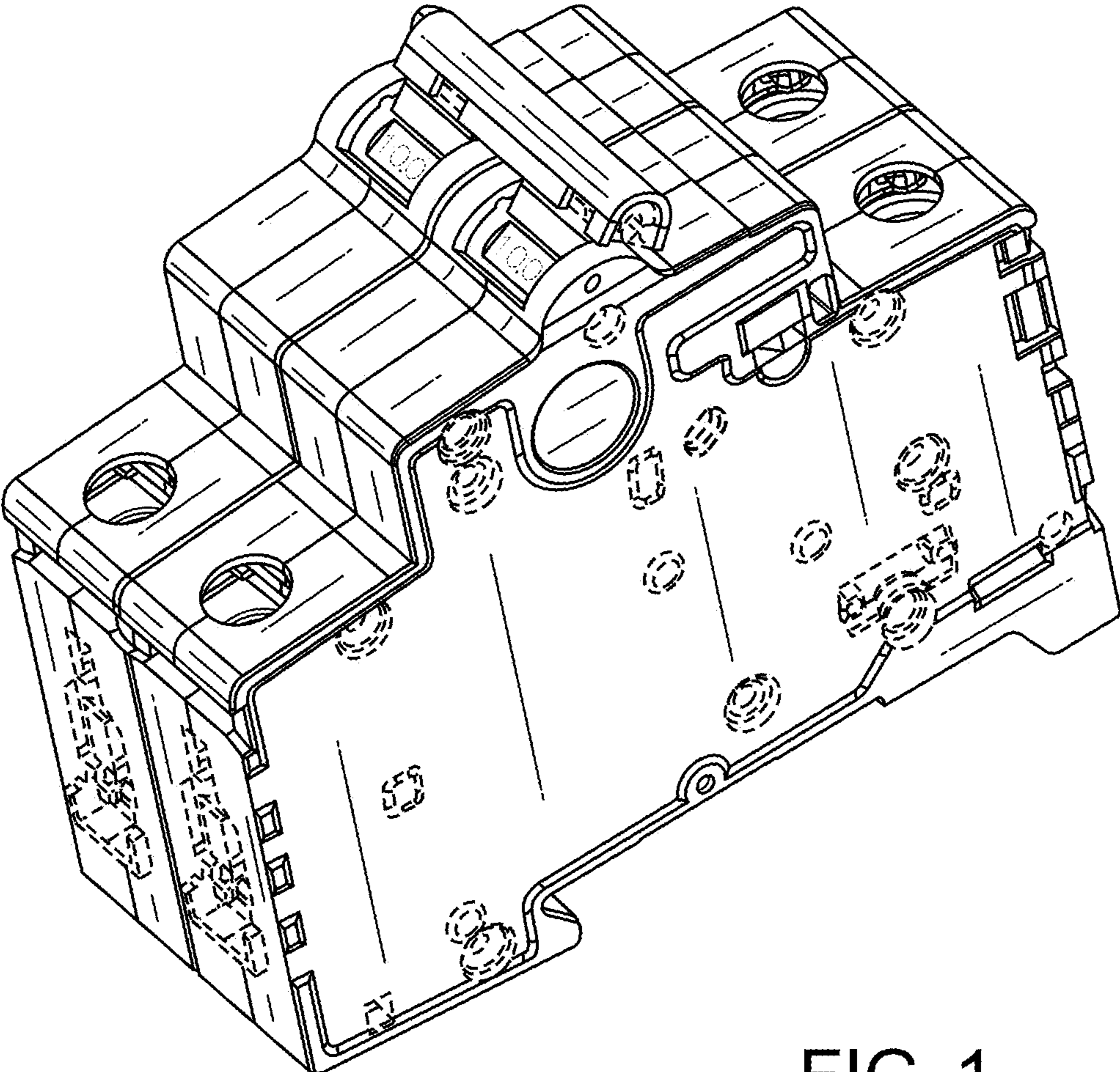


FIG. 1

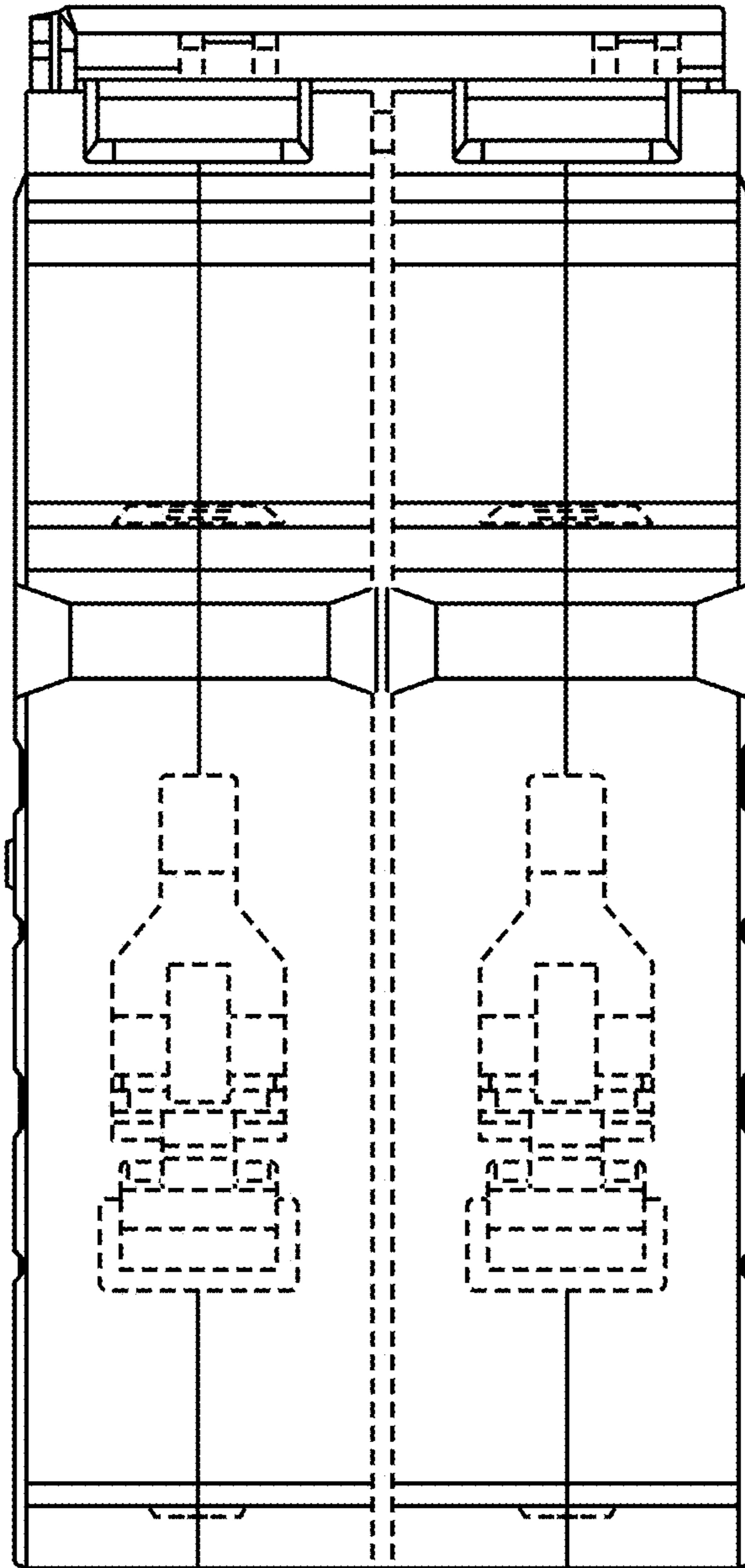


FIG. 2

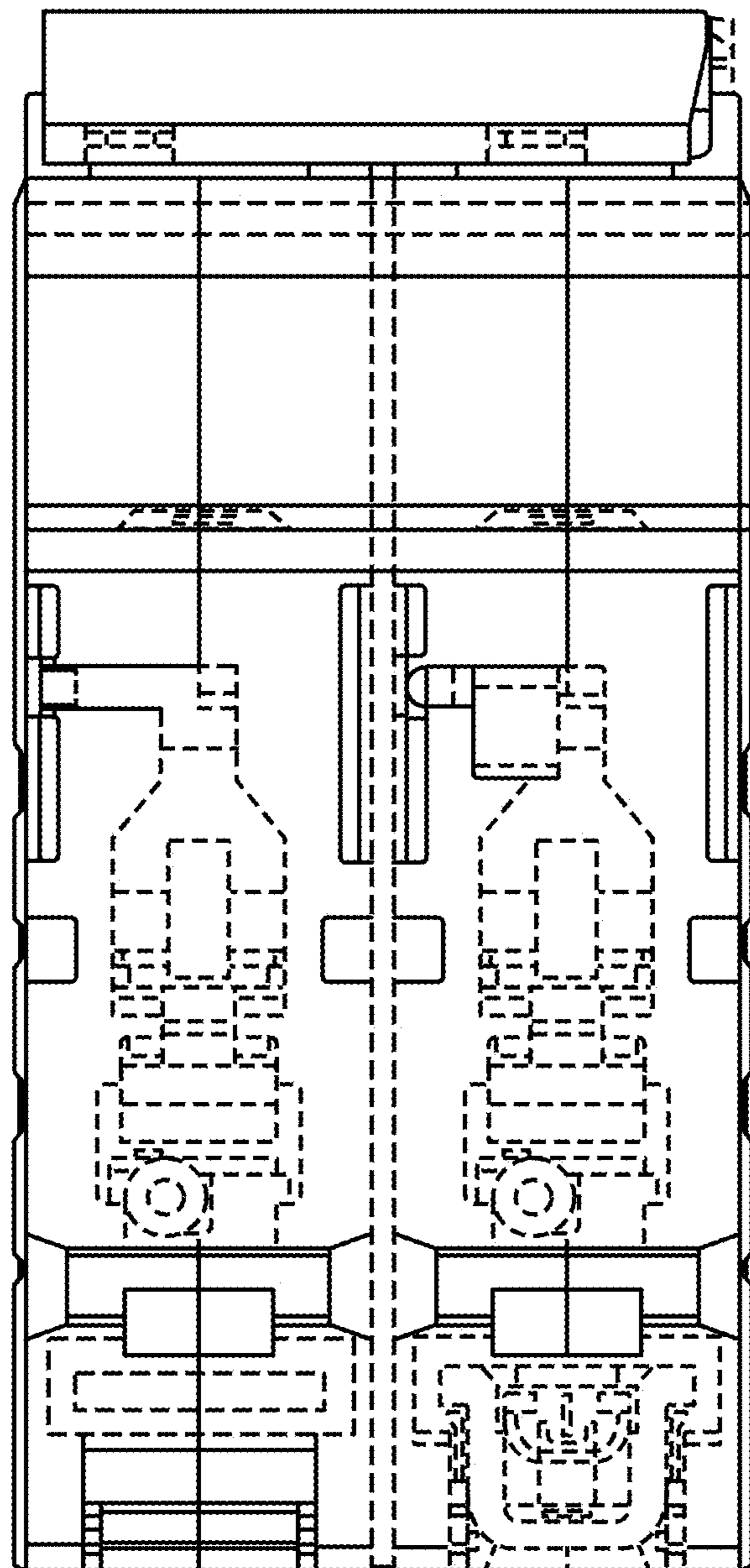


FIG. 3

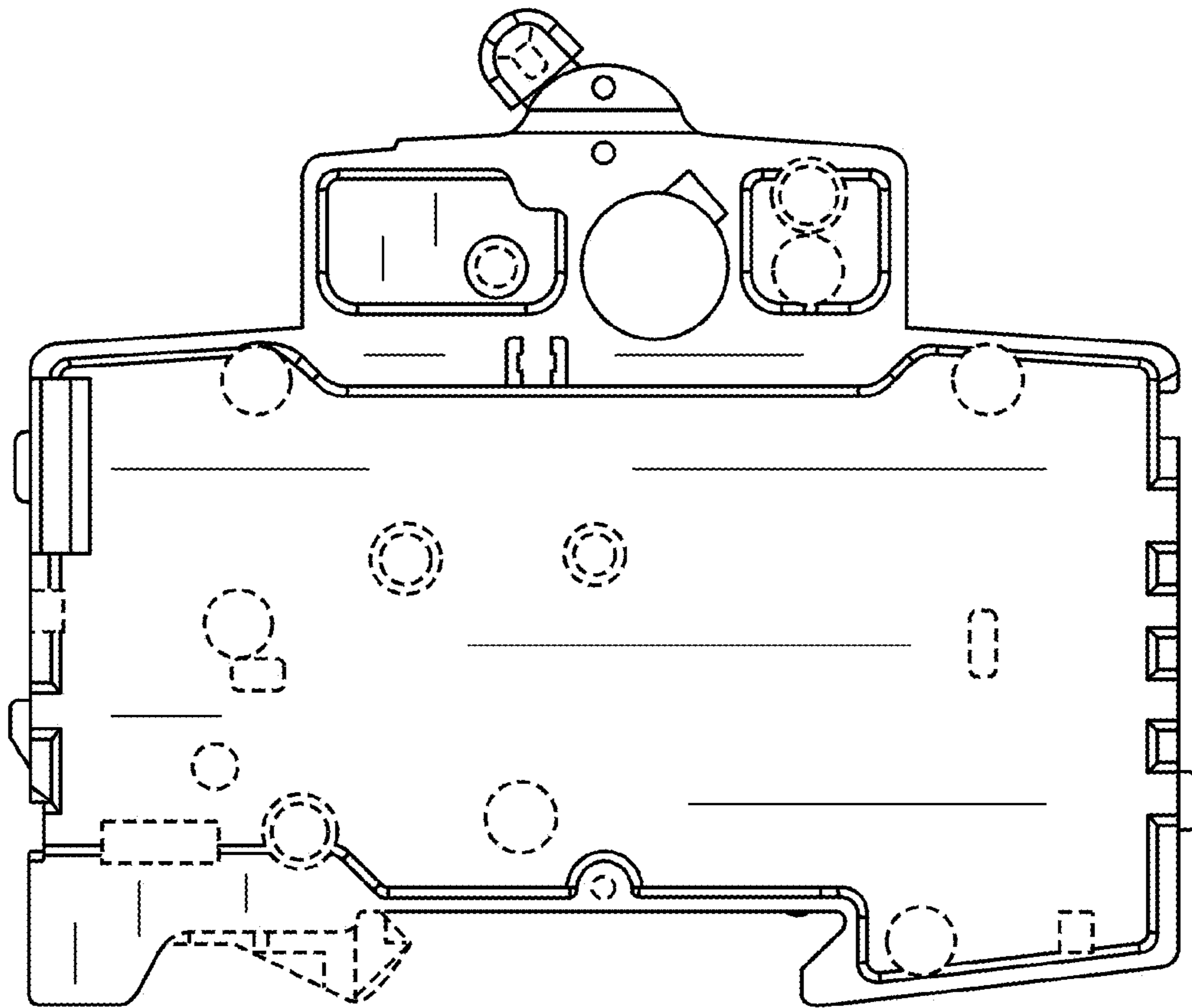


FIG. 4

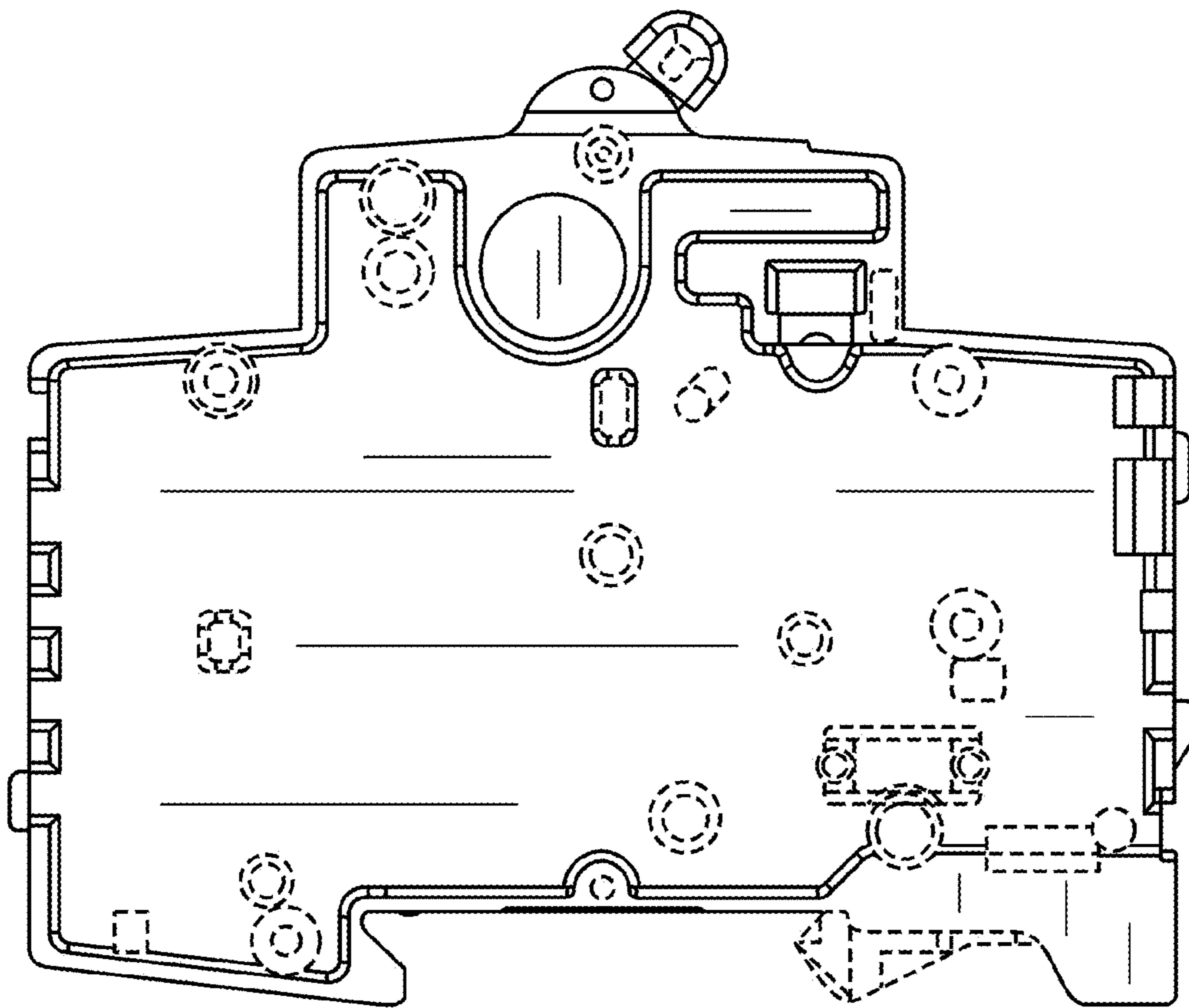


FIG. 5

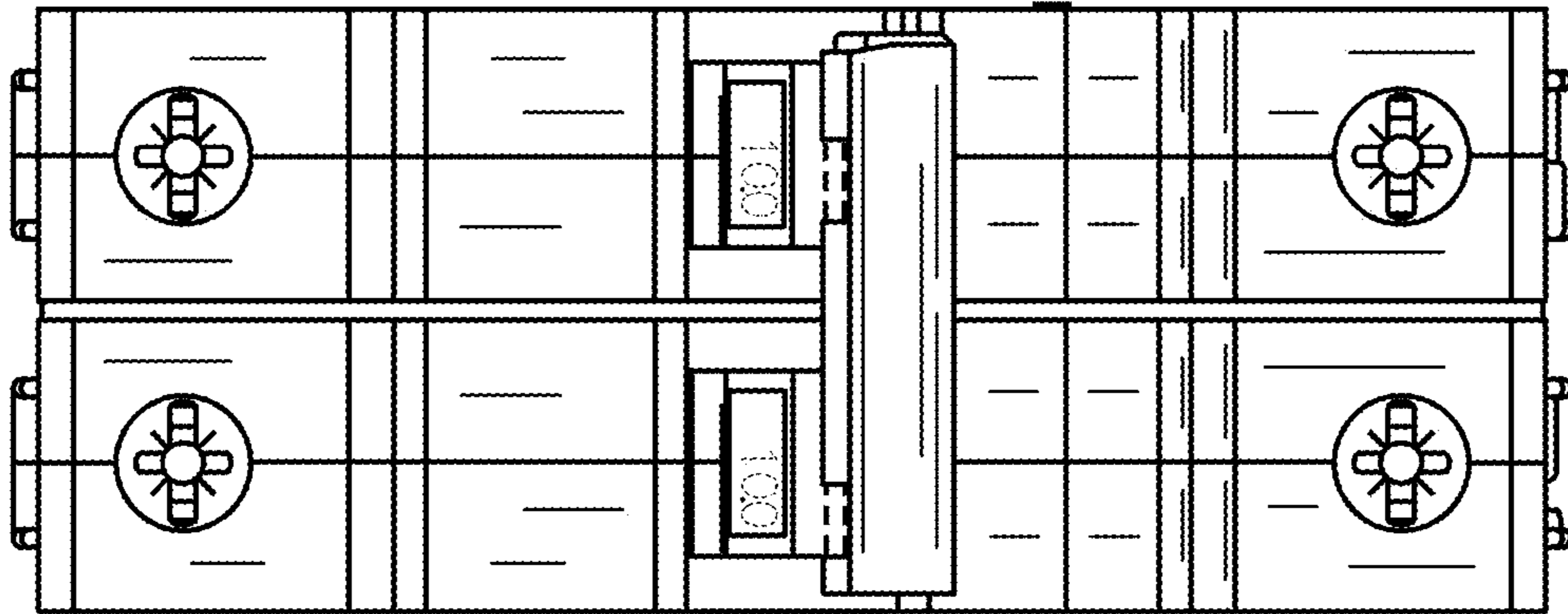


FIG. 6

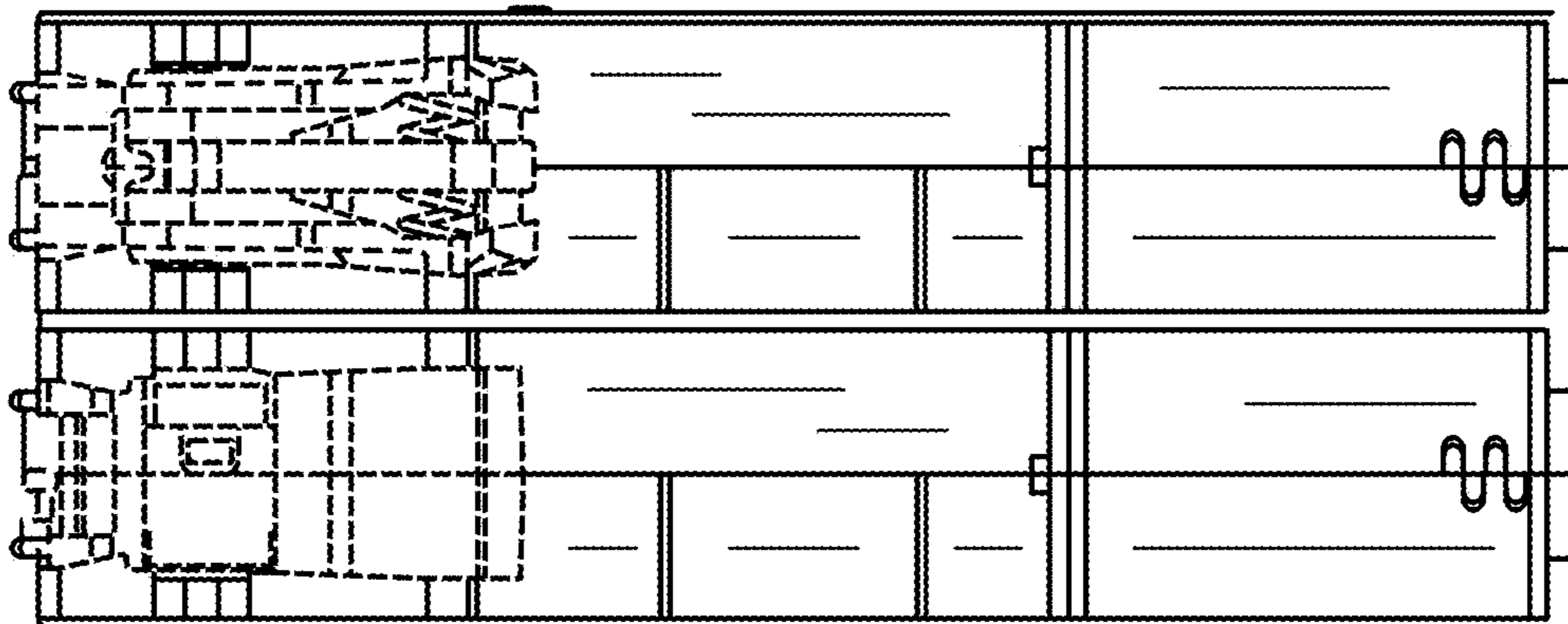


FIG. 7