



US00D765606S

(12) **United States Design Patent**
Hack

(10) **Patent No.:** **US D765,606 S**

(45) **Date of Patent:** **** Sep. 6, 2016**

(54) **PLUG COVER**

(71) Applicant: **Gregory D. Hack**, Waterford, MI (US)

(72) Inventor: **Gregory D. Hack**, Waterford, MI (US)

(**) Term: **15 Years**

(21) Appl. No.: **29/529,618**

(22) Filed: **Jun. 9, 2015**

(51) **LOC (10) Cl.** **13-03**

(52) **U.S. Cl.**
USPC **D13/156**

(58) **Field of Classification Search**
USPC D9/454; D13/120, 121, 123, 133, 154,
D13/156, 158, 160, 173, 178, 184, 199;
174/50, 520, 67, 92, 93; 361/600;
439/723, 752, 135, 149, 367; 220/242,
220/3.8; D8/352; D12/162
CPC H01R 13/436; H01R 13/447; H01R
13/4362; H01R 13/5213; H01R 13/6392;
H01R 2201/26

See application file for complete search history.

(56) **References Cited**

U.S. PATENT DOCUMENTS

- 1,455,399 A * 5/1923 Keavaney H01R 13/447
220/242
- 1,583,019 A * 5/1926 Simmons B65D 51/165
215/260
- 2,449,464 A * 9/1948 Eypper H02G 11/02
174/135
- 3,379,327 A * 4/1968 Link B65D 41/485
215/305
- D222,262 S * 10/1971 Hartford D13/156
- 3,613,044 A * 10/1971 Rarick H01R 13/72
174/67
- D227,989 S * 7/1973 Geisel D13/156
- D296,525 S * 7/1988 Siegel D9/438
- D359,451 S * 6/1995 Dees D9/443
- D410,631 S * 6/1999 Foster D13/156
- D415,109 S * 10/1999 Read D13/152
- D485,217 S * 1/2004 McCoy D12/162

- D539,229 S * 3/2007 Murphey D13/155
- D602,433 S * 10/2009 Katou D13/120
- D629,366 S * 12/2010 Ericson D13/156
- D662,012 S * 6/2012 Gugino D12/162
- D730,734 S * 6/2015 Rapparini D9/454
- D743,307 S * 11/2015 Bale D12/162
- D753,490 S * 4/2016 O'Donahue D9/455

* cited by examiner

Primary Examiner — Derrick Holland

Assistant Examiner — Jennifer O King

(74) *Attorney, Agent, or Firm* — Dykema Gossett PLLC

(57) **CLAIM**

The ornamental design for a plug cover, as shown and described.

DESCRIPTION

FIG. 1 is a front, right side, and top perspective view of a first embodiment of a plug cover showing my design; FIG. 2 is a rear, right side, and bottom perspective view of FIG. 1;

FIG. 3 is a top plan view of FIG. 1;

FIG. 4 is a bottom plan view of FIG. 1;

FIG. 5 is a right side elevation view of FIG. 1;

FIG. 6 is a left side elevation view of FIG. 1;

FIG. 7 is a rear elevation view of FIG. 1;

FIG. 8 is a front elevation view of FIG. 1;

FIG. 9 is a front, right side, and top perspective view of a second embodiment of a plug cover showing my design;

FIG. 10 is a rear, right side, and bottom perspective view of FIG. 9;

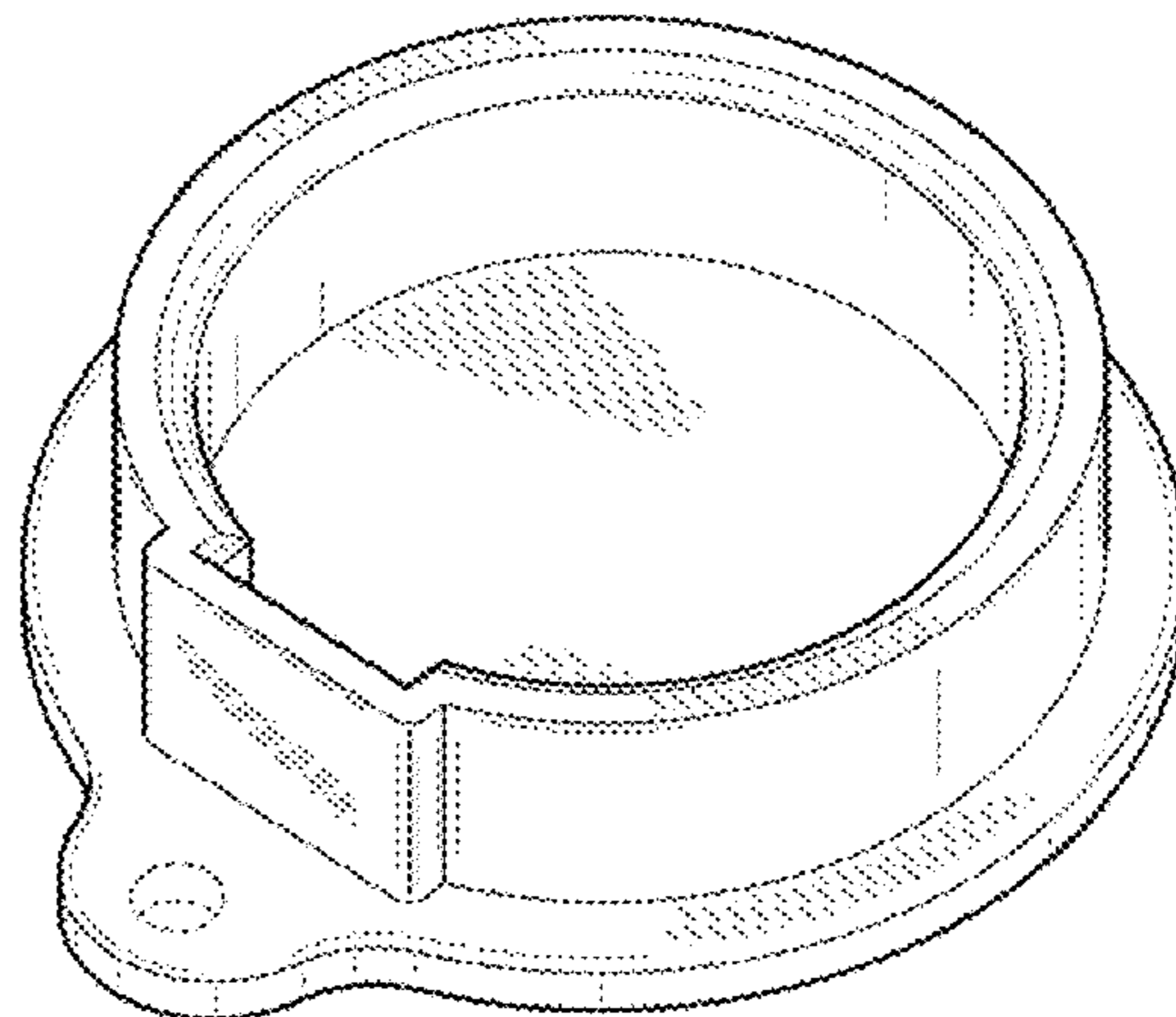
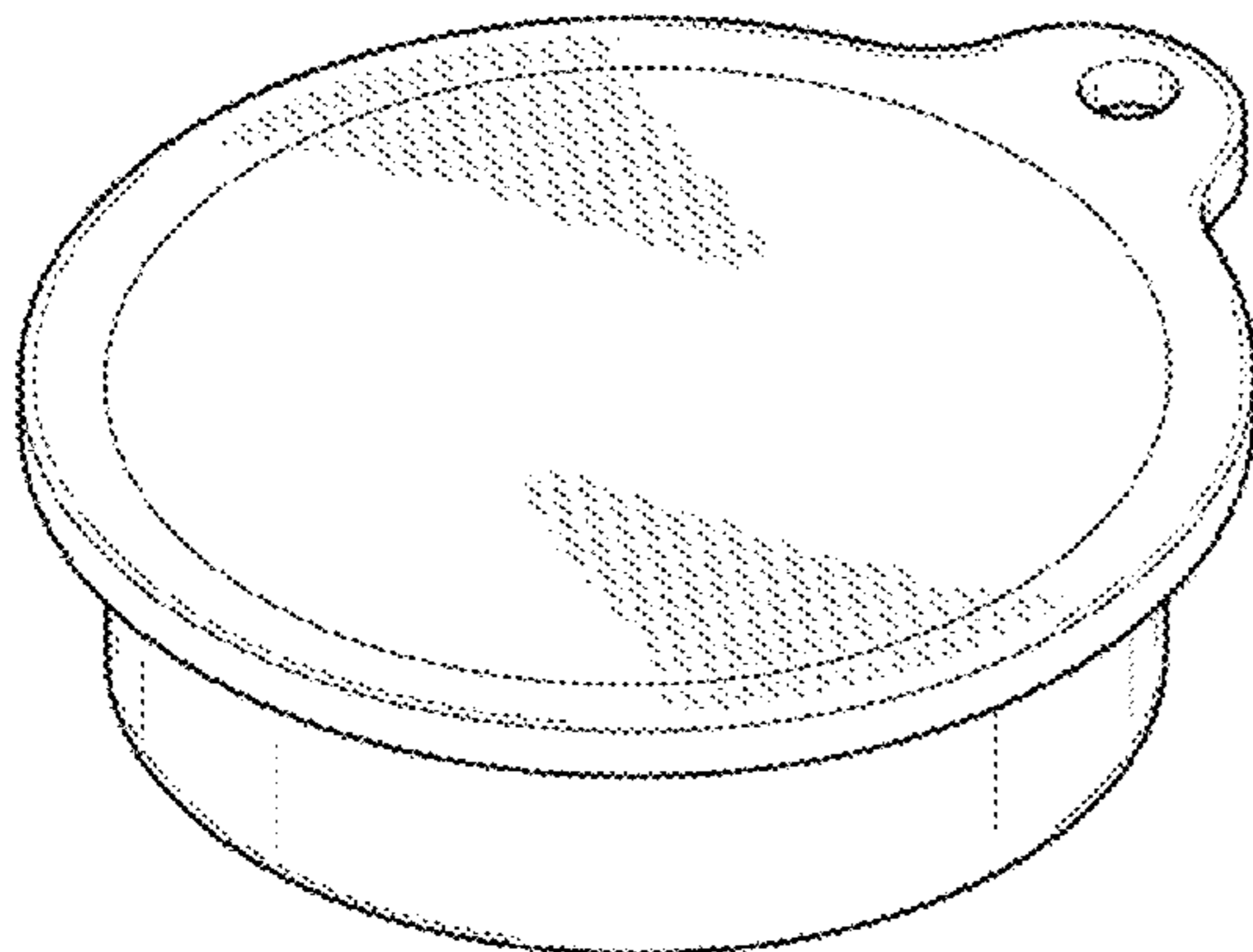
FIG. 11 is a top plan view of FIG. 9; and,

FIG. 12 is a bottom plan view of FIG. 9.

The right side elevation view, the left side elevation view, the rear elevation view, and the front elevation view of the plug cover shown in FIG. 9, are the same as those illustrated in FIGS. 5 through 8, respectively.

The broken lines shown represent unclaimed subject matter and form no part of the claimed design.

1 Claim, 8 Drawing Sheets



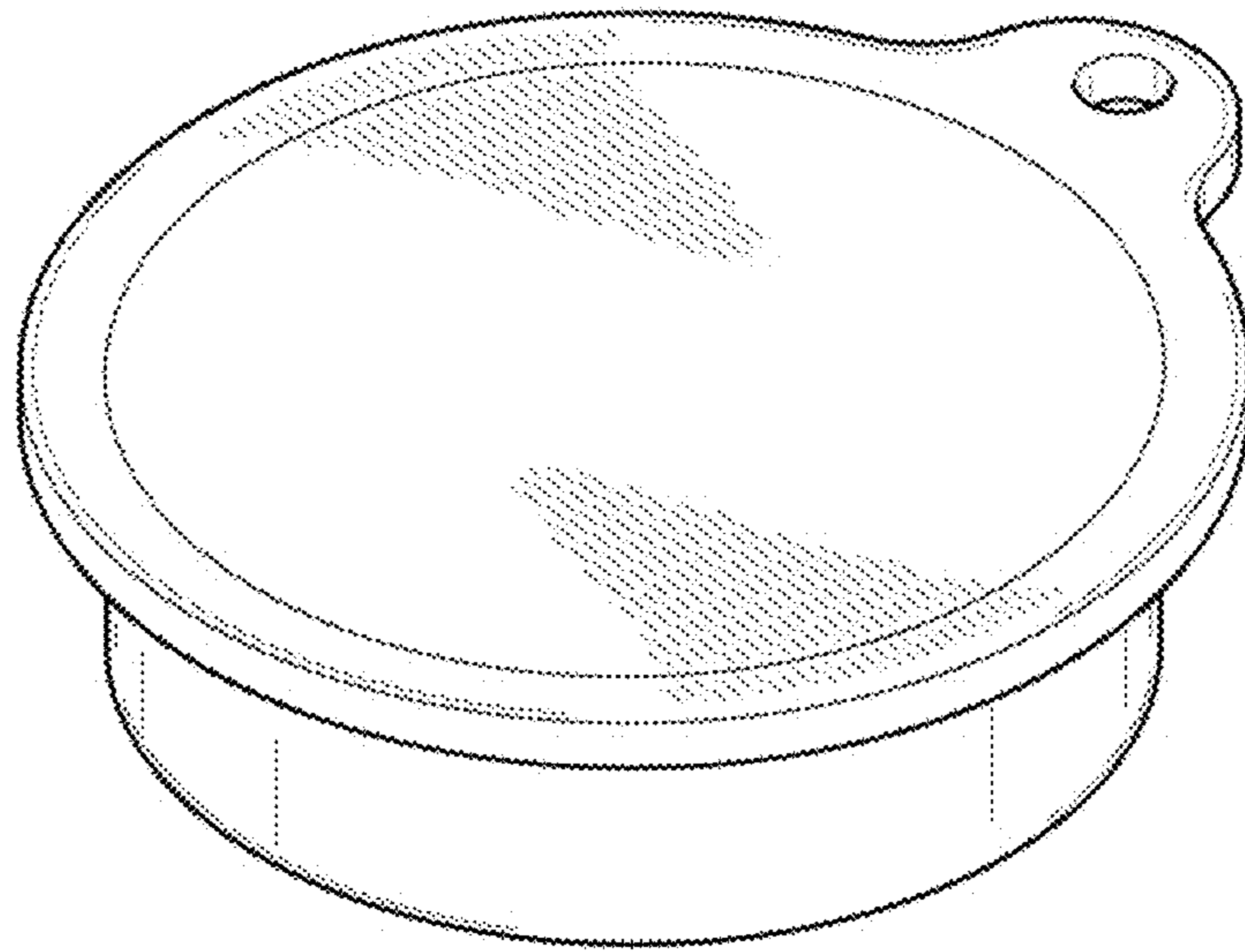


FIG. 1

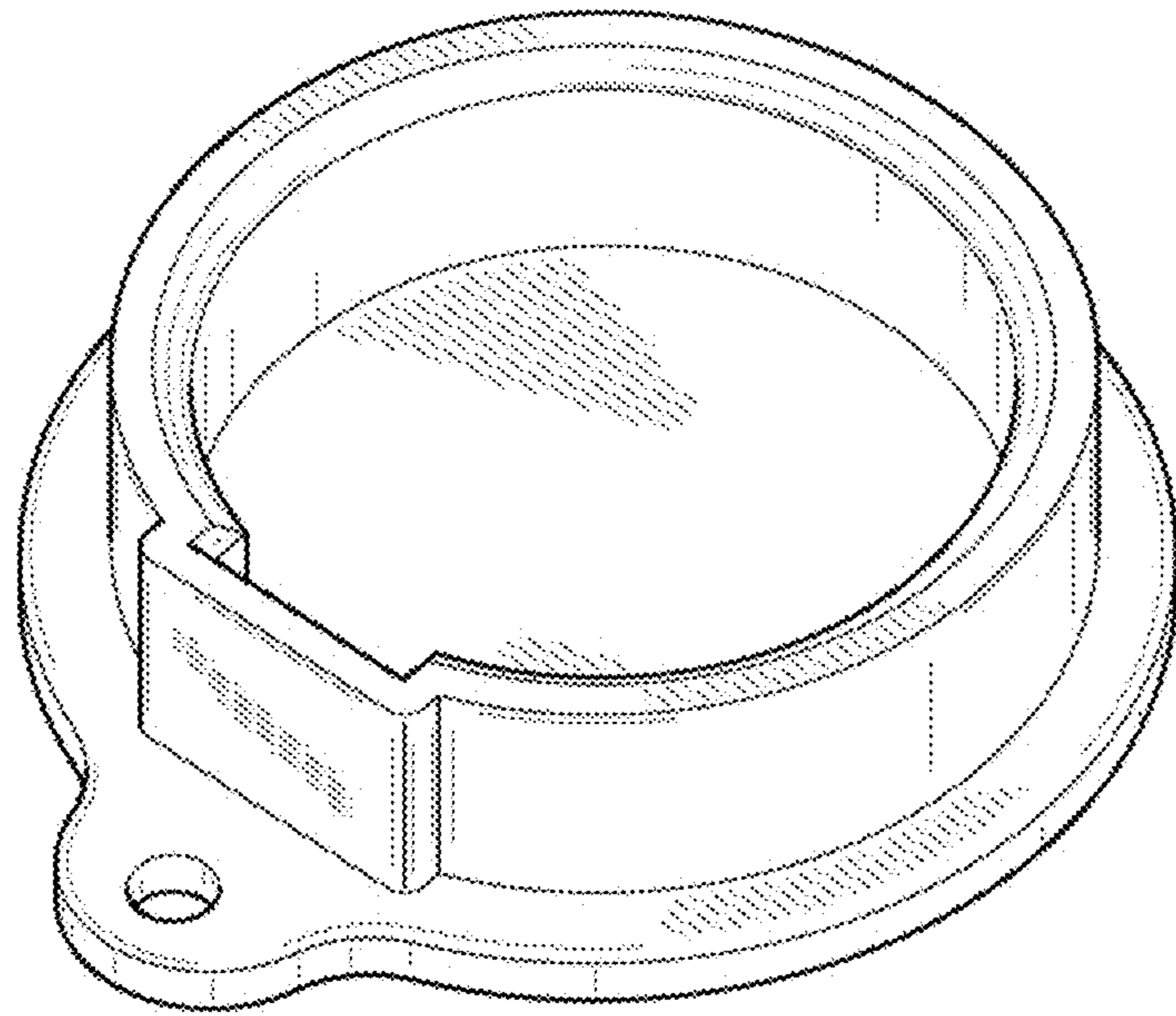


FIG. 2

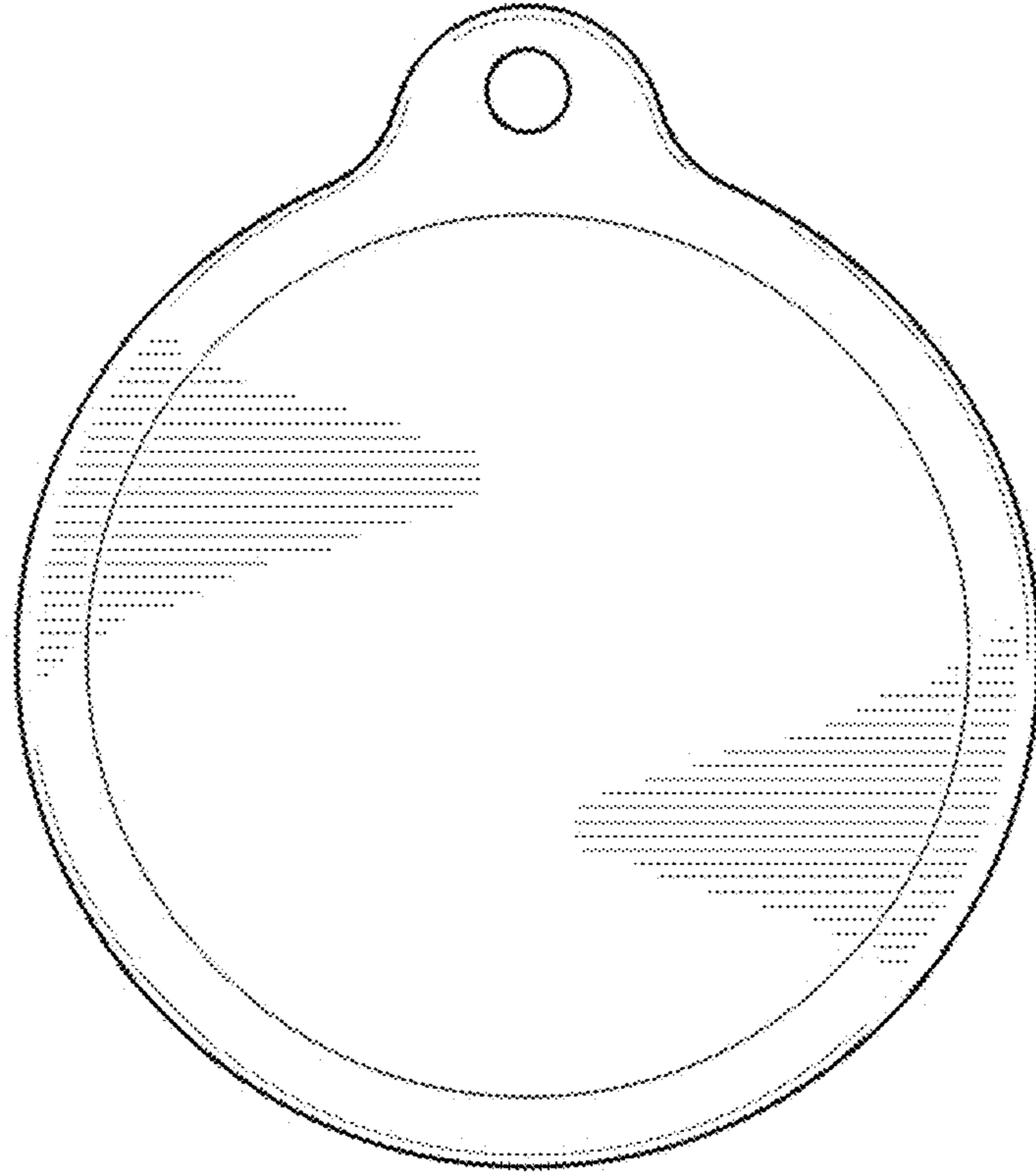


FIG. 3

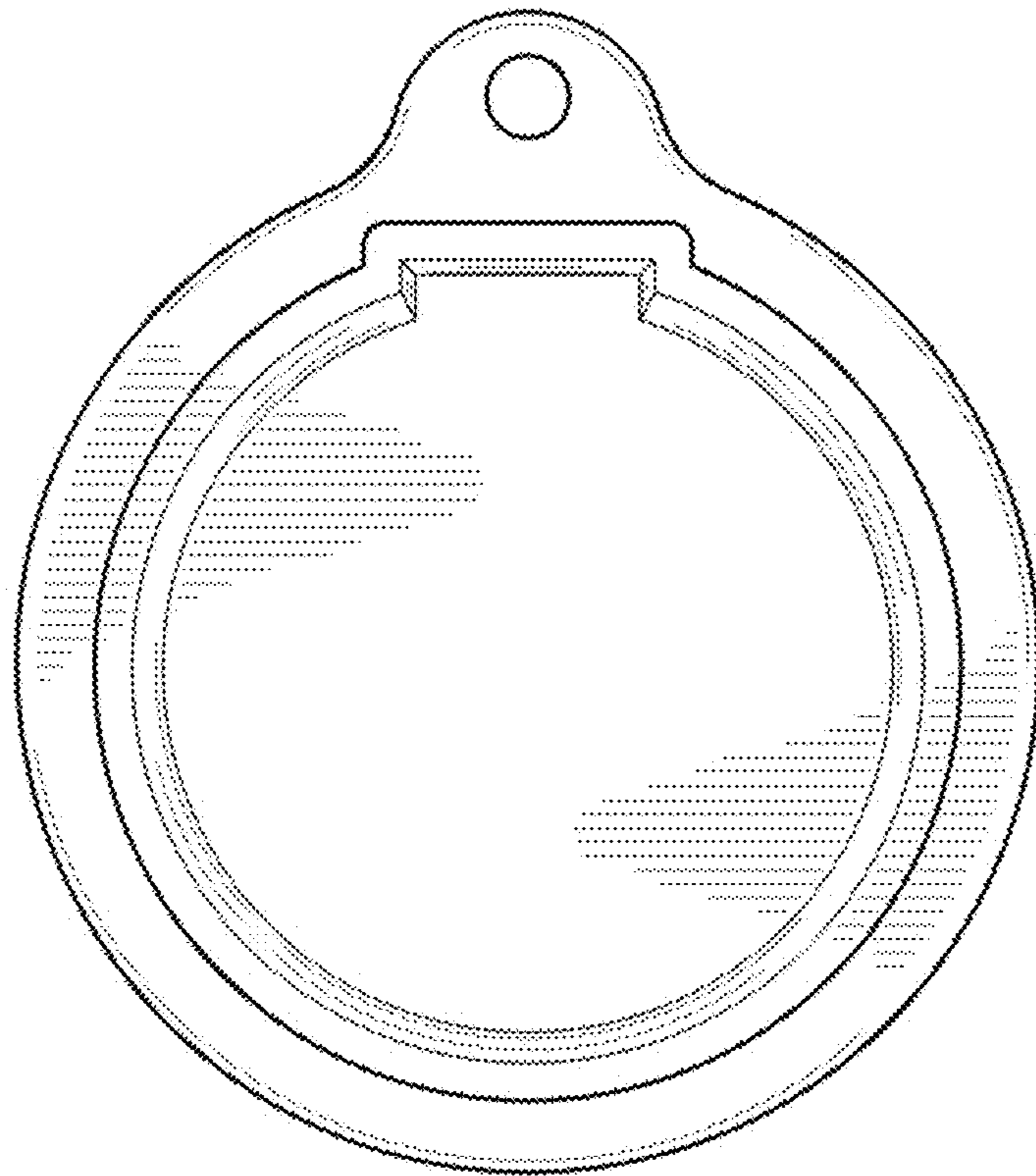


FIG. 4

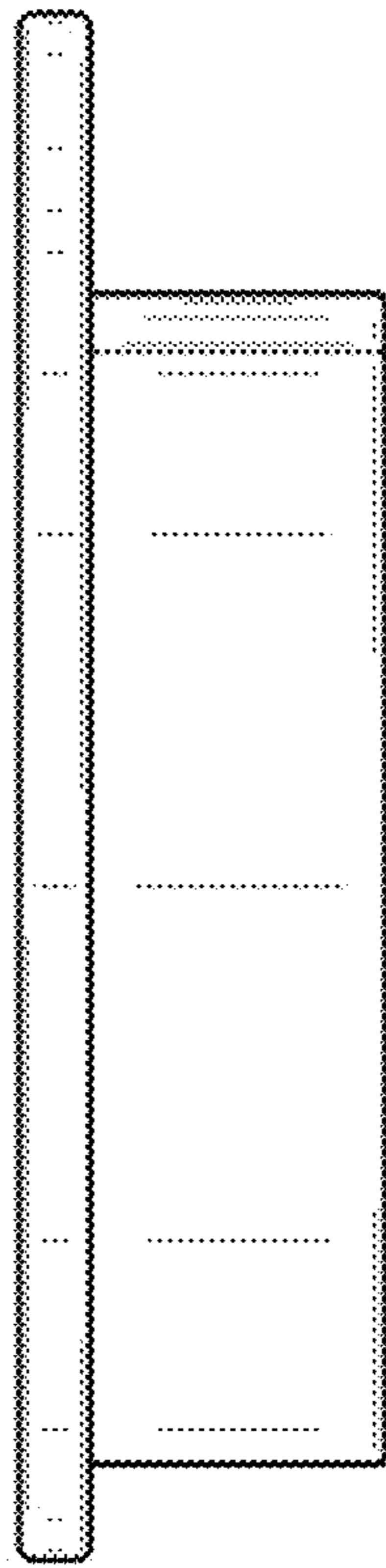


FIG. 5

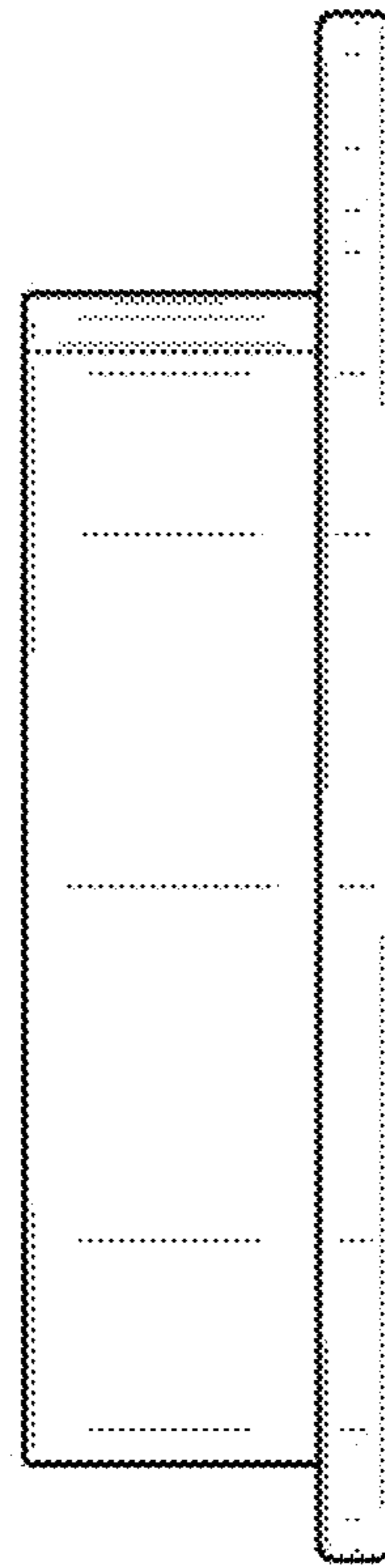


FIG. 6

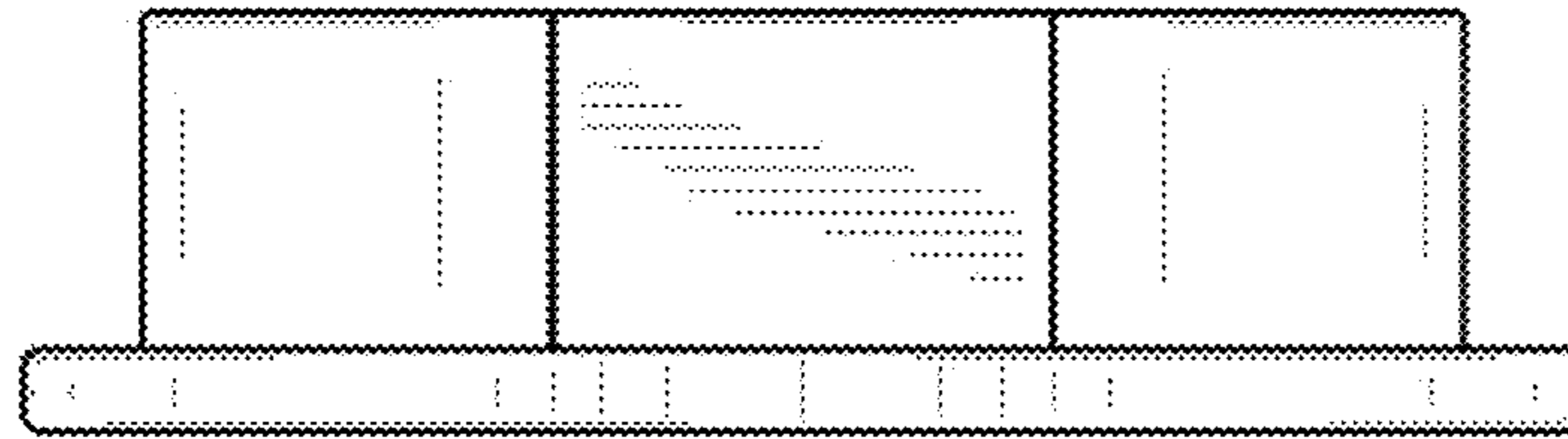


FIG. 7

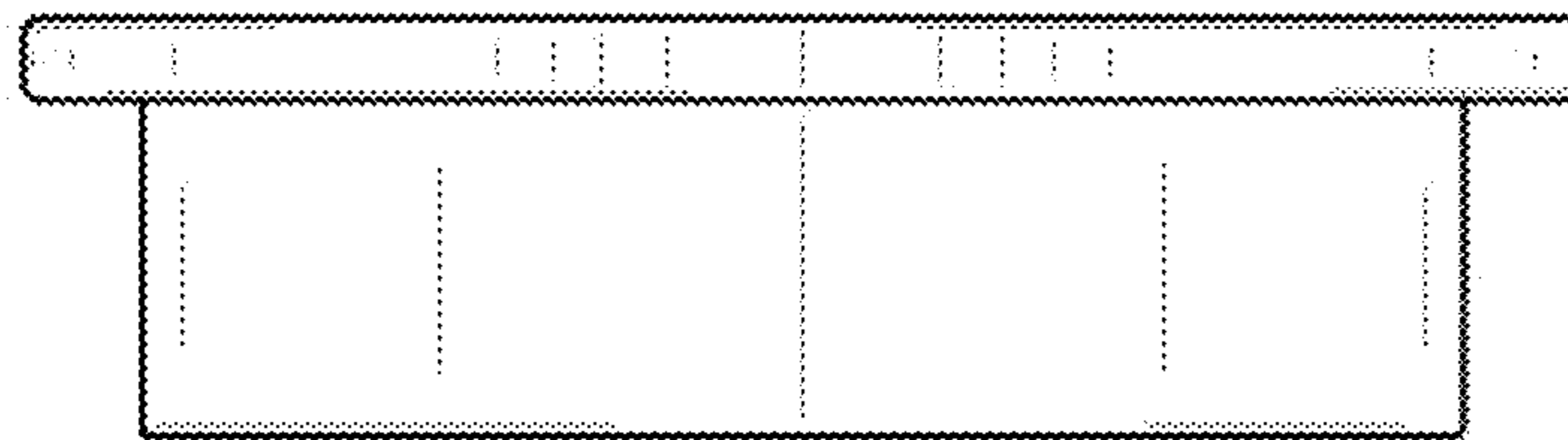


FIG. 8

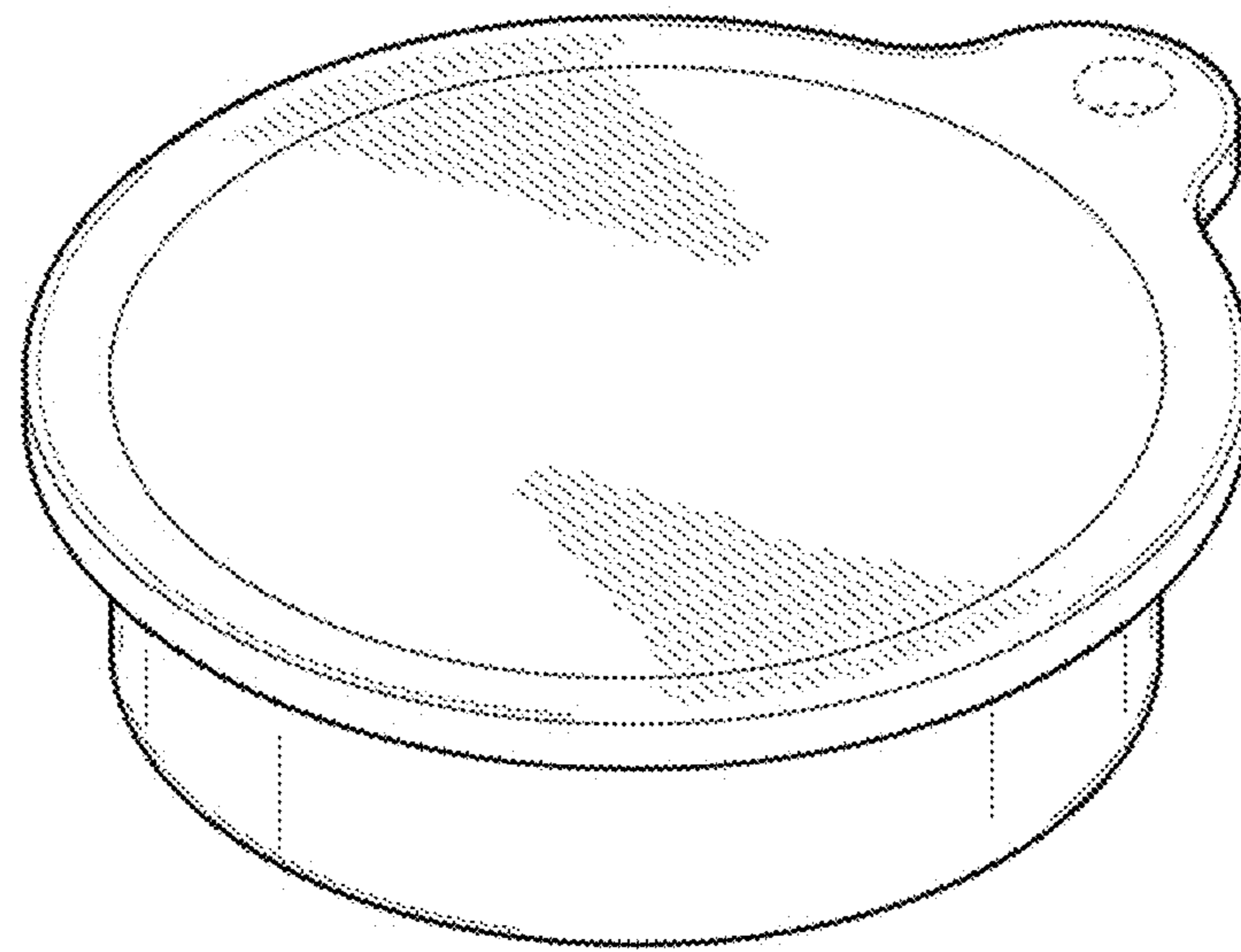


FIG. 9

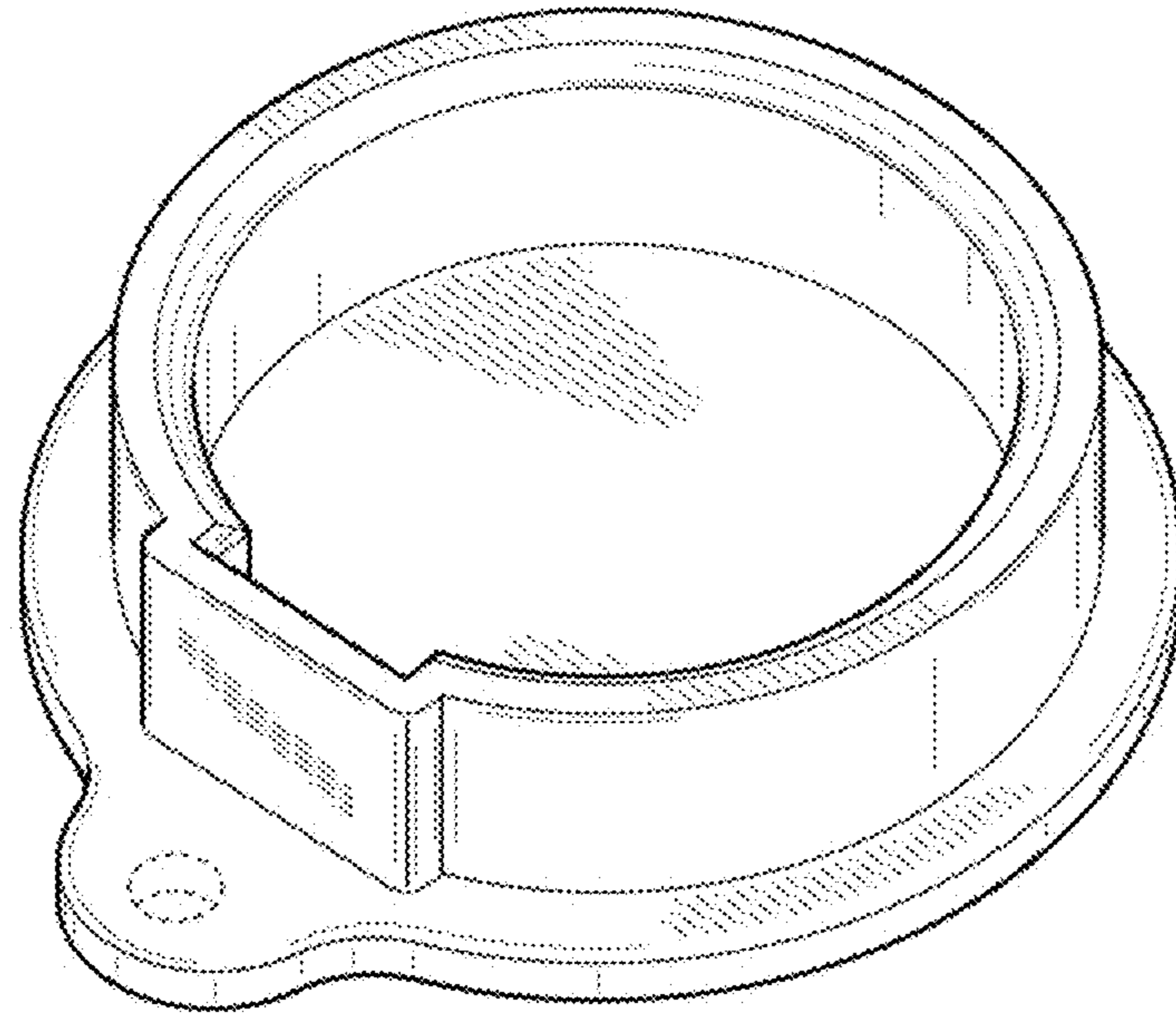


FIG. 10

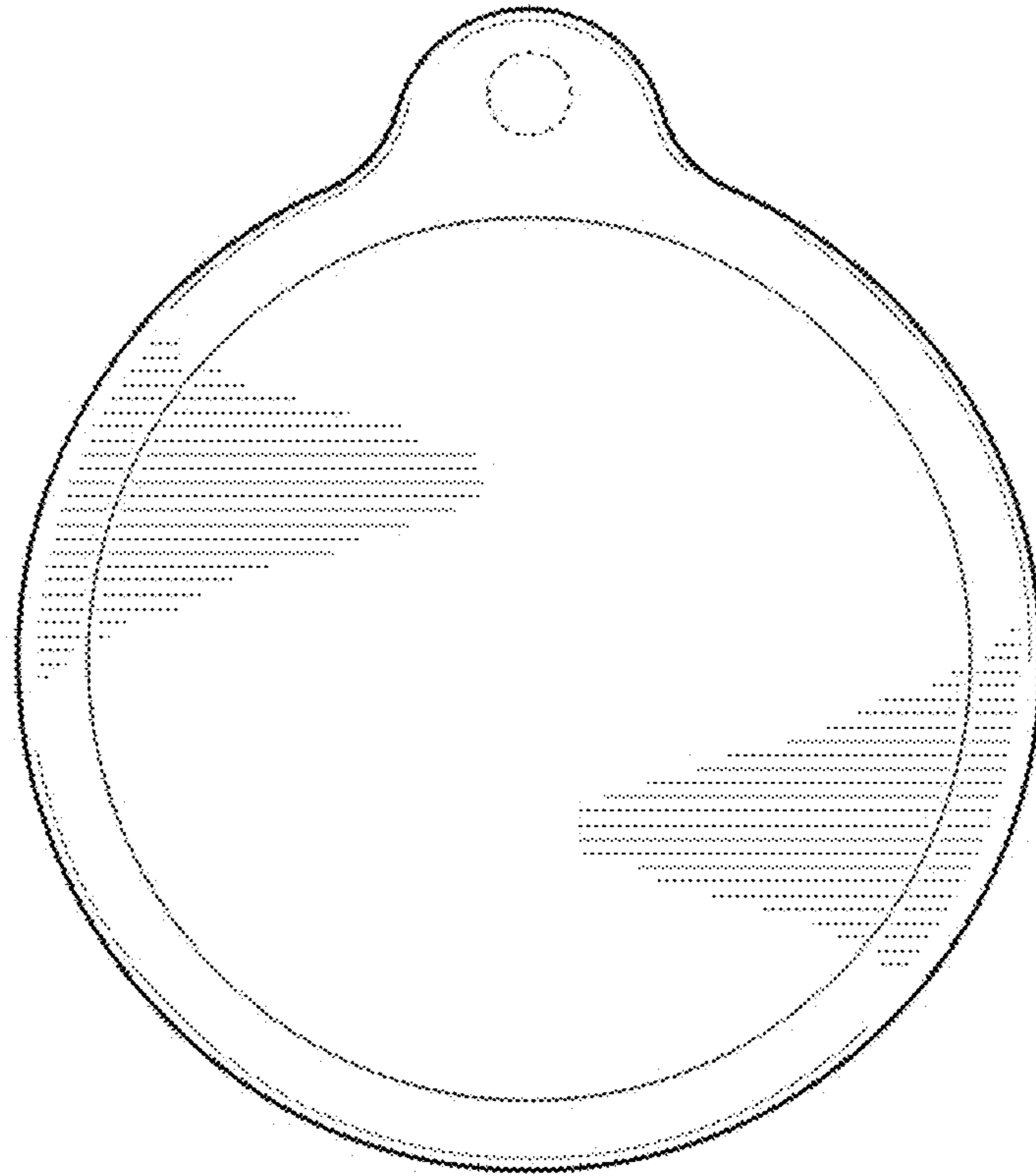


FIG. 11

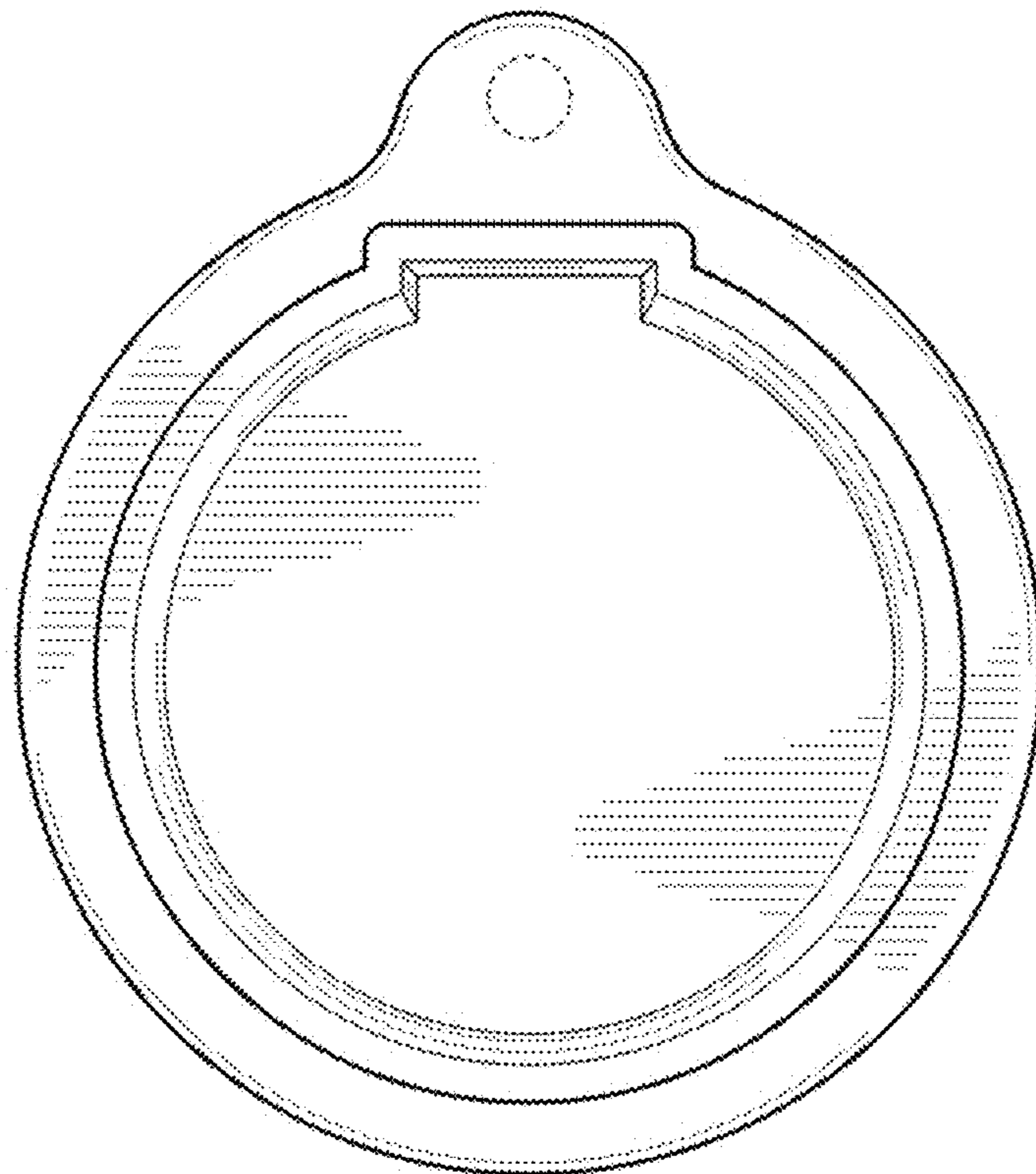


FIG. 12