



US00D765605S

(12) **United States Design Patent** (10) **Patent No.:** **US D765,605 S**
Leal (45) **Date of Patent:** **** Sep. 6, 2016**

(54) **WEATHERPROOF ELECTRICAL PLUG COVER**
(71) Applicant: **Allen Leal**, Bryan, TX (US)
(72) Inventor: **Allen Leal**, Bryan, TX (US)
(**) Term: **14 Years**
(21) Appl. No.: **29/496,710**
(22) Filed: **Jul. 16, 2014**
(51) **LOC (10) Cl.** **13-03**
(52) **U.S. Cl.**
USPC **D13/156**
(58) **Field of Classification Search**
USPC D13/156, 152, 133, 120, 121, 123, 158,
D13/160, 173, 178, 184, 199; 220/242, 3.8;
D8/352; 174/50, 67, 92, 93; 439/142,
439/149
CPC H02G 3/088; H01R 13/447; H01R
13/5213; H01R 2201/26
See application file for complete search history.

6,790,084 B1 * 9/2004 Osborn, Jr. H01R 13/5213
174/485
D528,983 S * 9/2006 Solida D13/133
7,166,801 B1 1/2007 Gretz
7,265,292 B2 9/2007 Greenfield
D553,306 S * 10/2007 Hansen D13/139.4
D605,121 S * 12/2009 Dennes D13/133
D628,044 S * 11/2010 Schutte D13/156
8,022,298 B2 * 9/2011 Husain H01R 13/5213
174/481
D698,317 S * 1/2014 Baldwin D13/152
D699,687 S * 2/2014 Baldwin D13/156
9,325,161 B2 * 4/2016 Dahl H02G 3/088
2004/0123997 A1 * 7/2004 Drane H02G 3/088
174/67

OTHER PUBLICATIONS

Leal, Allen. "Waterproof Electrical Outlet." Online Video Clip. YouTube.com, Published Oct. 3, 2014: <https://www.youtube.com/watch?v=j8LGiiSNbgQ>. Accessed May 24, 2016.*

* cited by examiner

Primary Examiner — Derrick Holland
Assistant Examiner — Jennifer O King
(74) *Attorney, Agent, or Firm* — Robert C. Montgomery;
Montgomery Patent and Design, LP.

(56) **References Cited**

U.S. PATENT DOCUMENTS

3,252,611 A 5/1966 Weitzman et al.
4,134,516 A * 1/1979 Sullo H02B 1/066
174/67
4,265,365 A 5/1981 Boteler
4,342,493 A * 8/1982 Grenell H01R 13/5213
439/142
D273,084 S * 3/1984 Henkel D13/156
4,874,906 A 10/1989 Shotey
D310,476 S * 9/1990 Grenell D13/156
4,994,631 A * 2/1991 Williams, Jr. H02G 3/14
174/67
5,228,584 A 7/1993 Williams, Jr.
5,430,253 A * 7/1995 Pratt H01R 13/447
16/257
5,527,993 A * 6/1996 Shotey H02G 3/088
174/67
D395,283 S 6/1998 Monaco et al.
5,879,184 A 3/1999 Lopez
6,469,249 B2 * 10/2002 Capella H01R 13/447
174/66

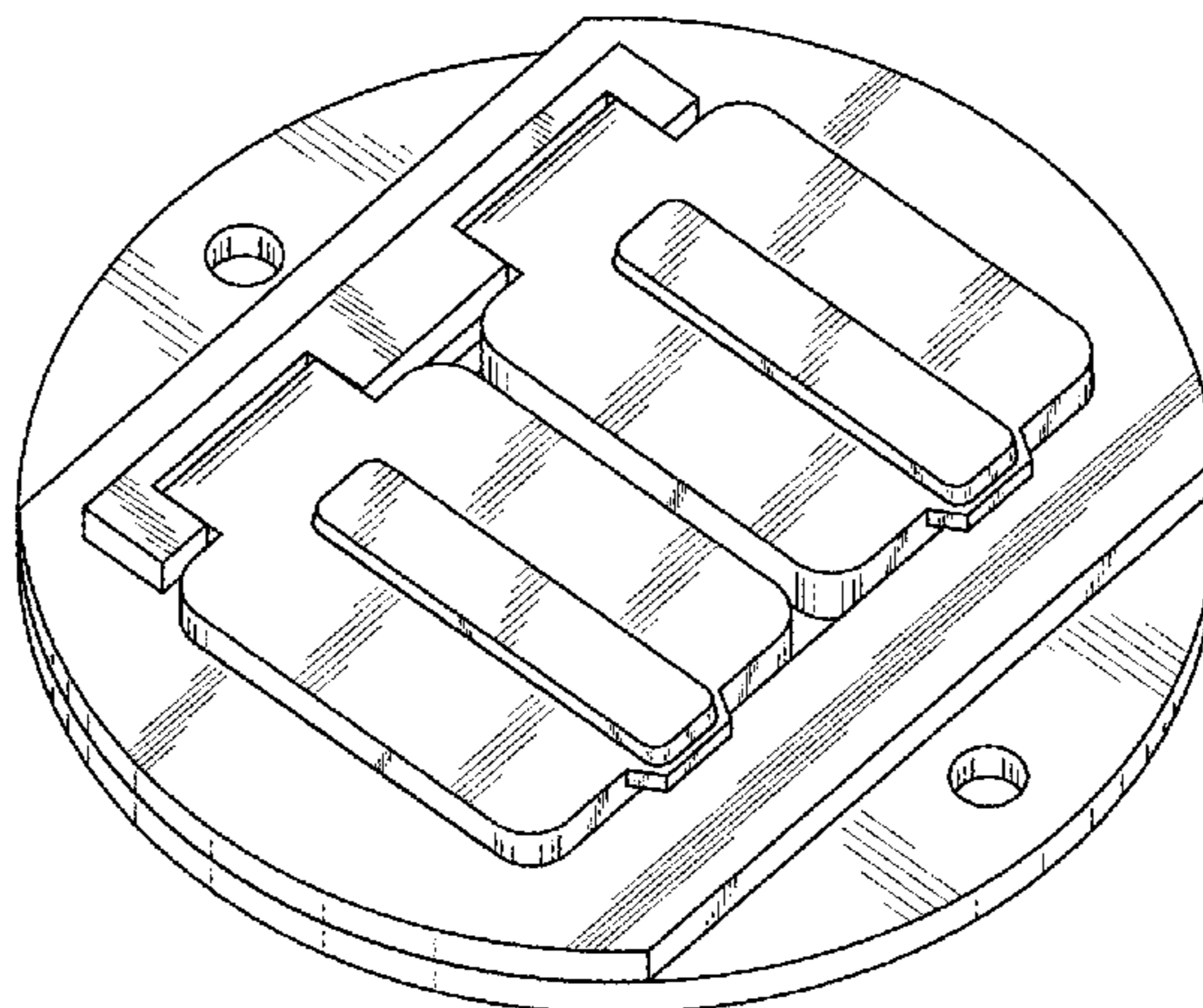
(57) **CLAIM**

The ornamental design for a weatherproof electrical plug cover, as shown and described.

DESCRIPTION

FIG. 1 is a perspective view of a weatherproof electrical plug cover with the lids in a closed position;
FIG. 2 is another perspective view of the weatherproof electrical plug cover with the lids in an open position;
FIG. 3 is a front view of FIG. 2, wherein a rear view is a mirror image of the front view;
FIG. 4 is a left side view of FIG. 2;
FIG. 5 is a right side view of FIG. 2;
FIG. 6 is a top view of FIG. 2; and,
FIG. 7 is a bottom view of FIG. 2.

1 Claim, 7 Drawing Sheets



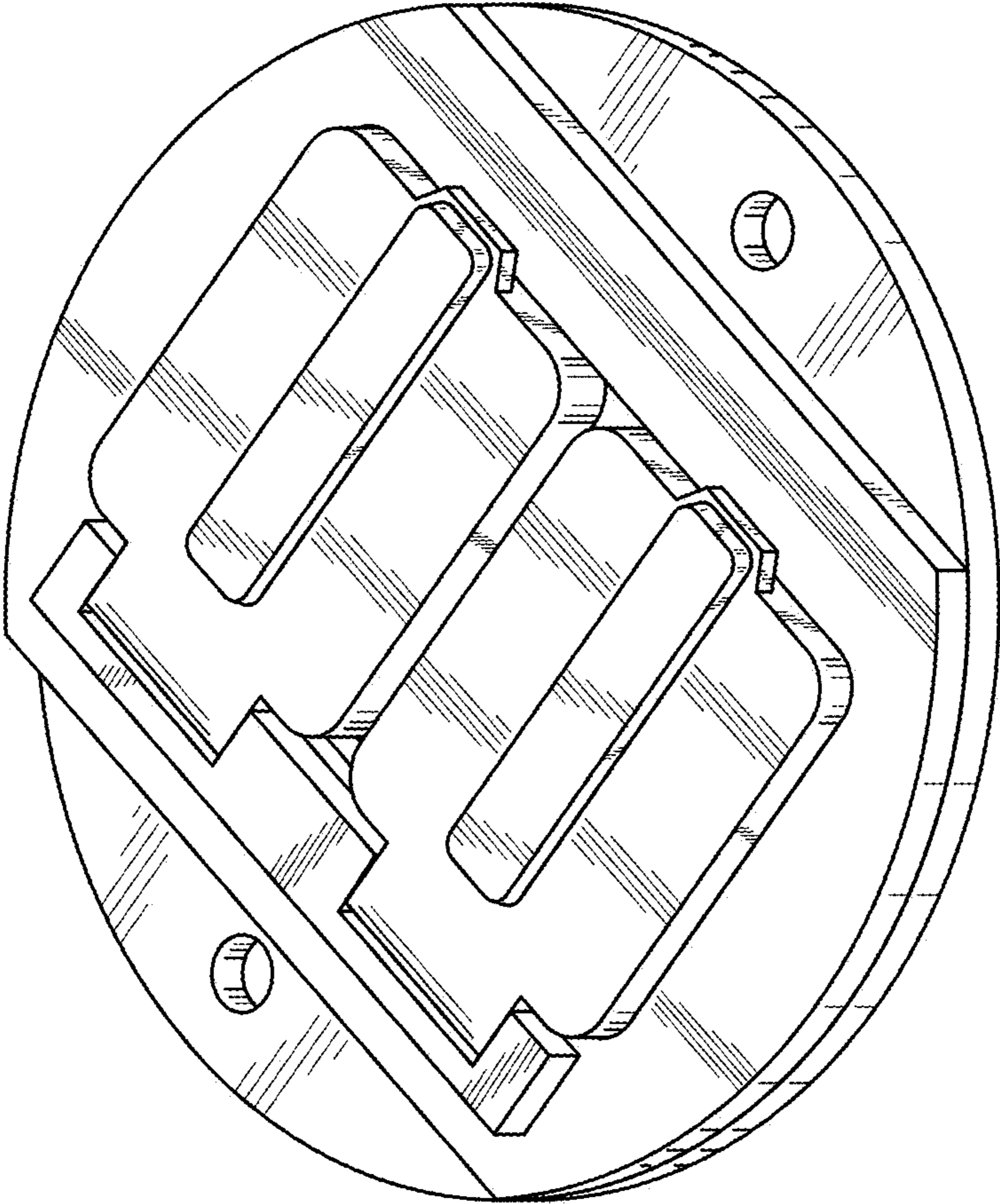


Fig. 1

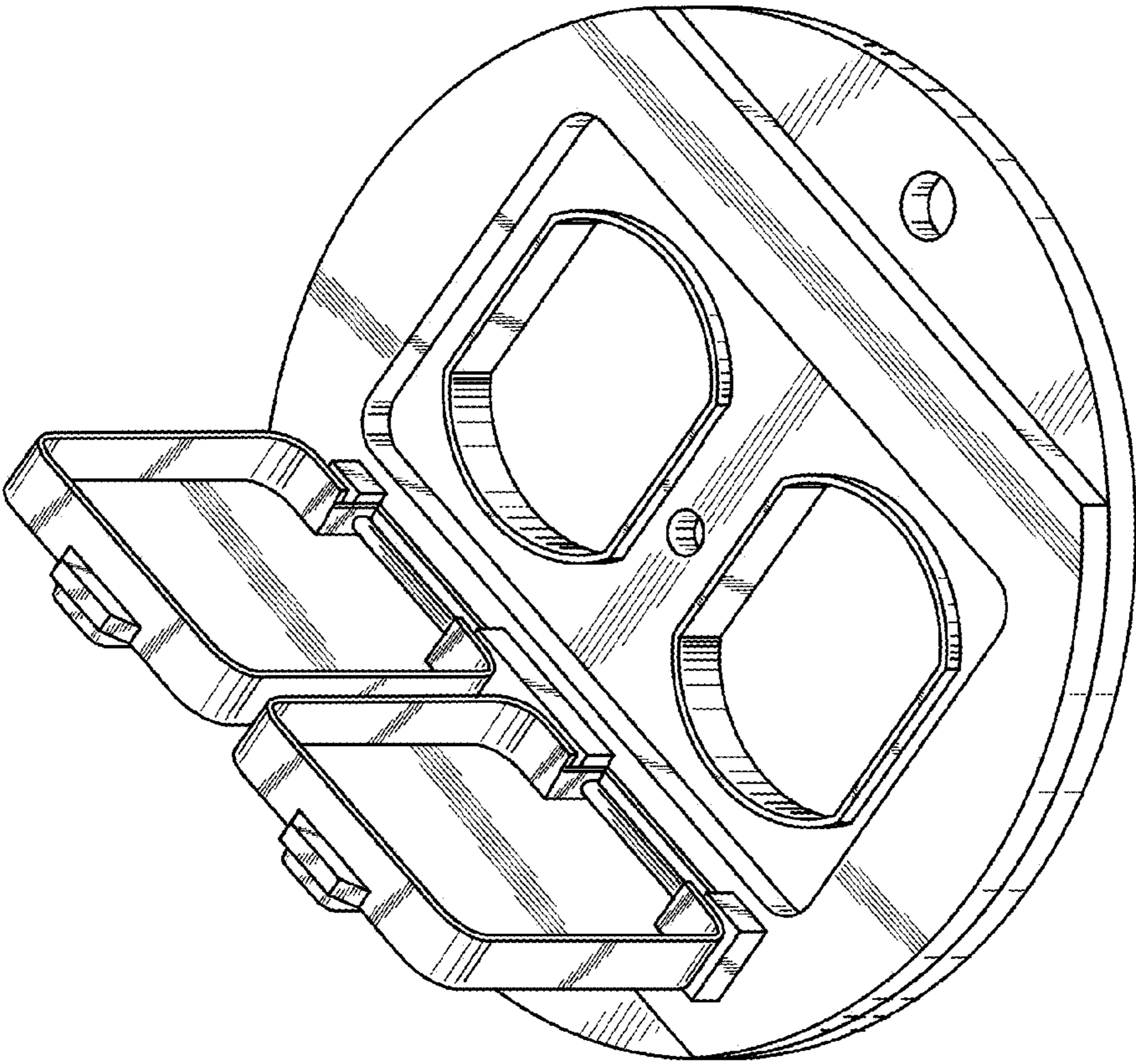


Fig. 2

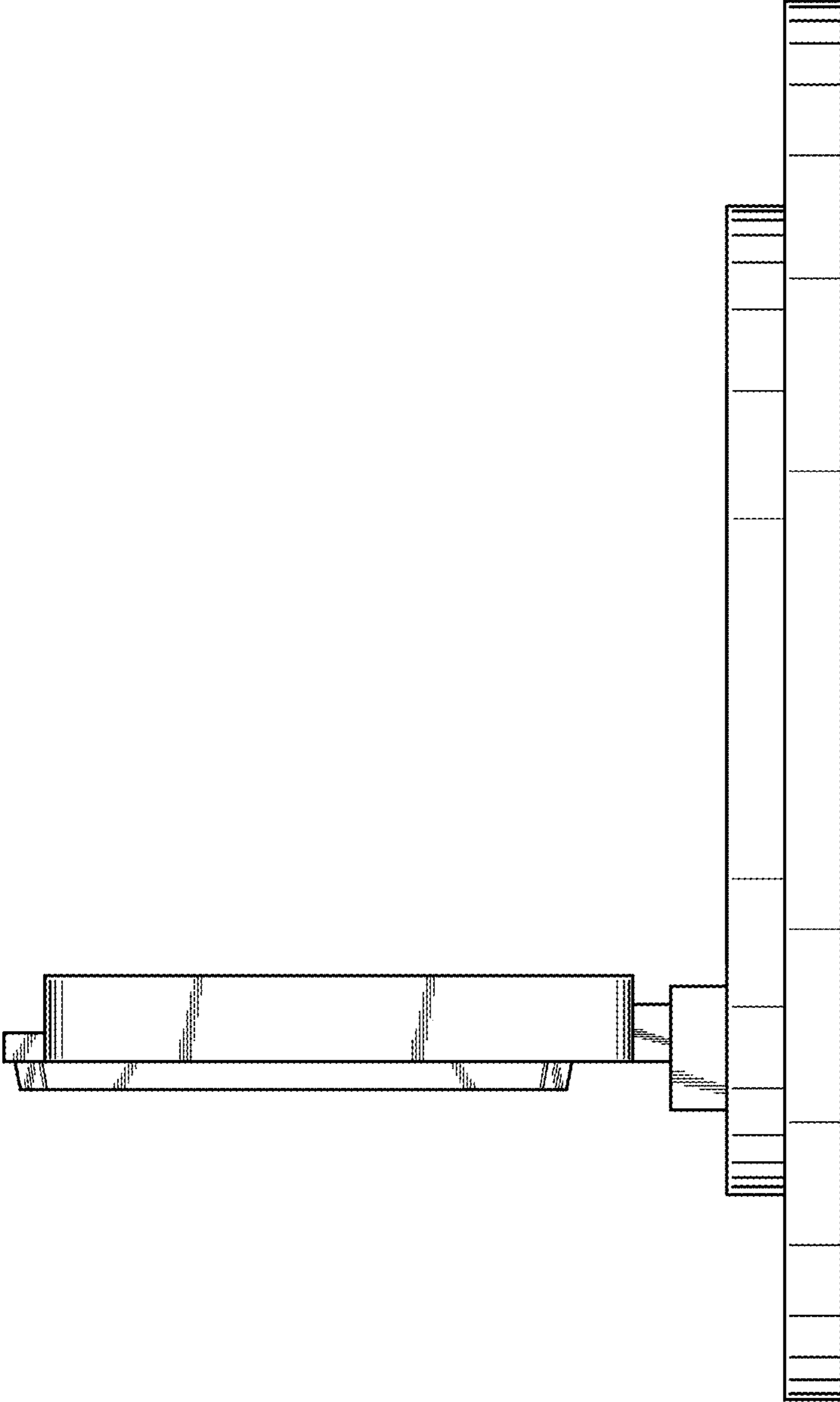


Fig. 3

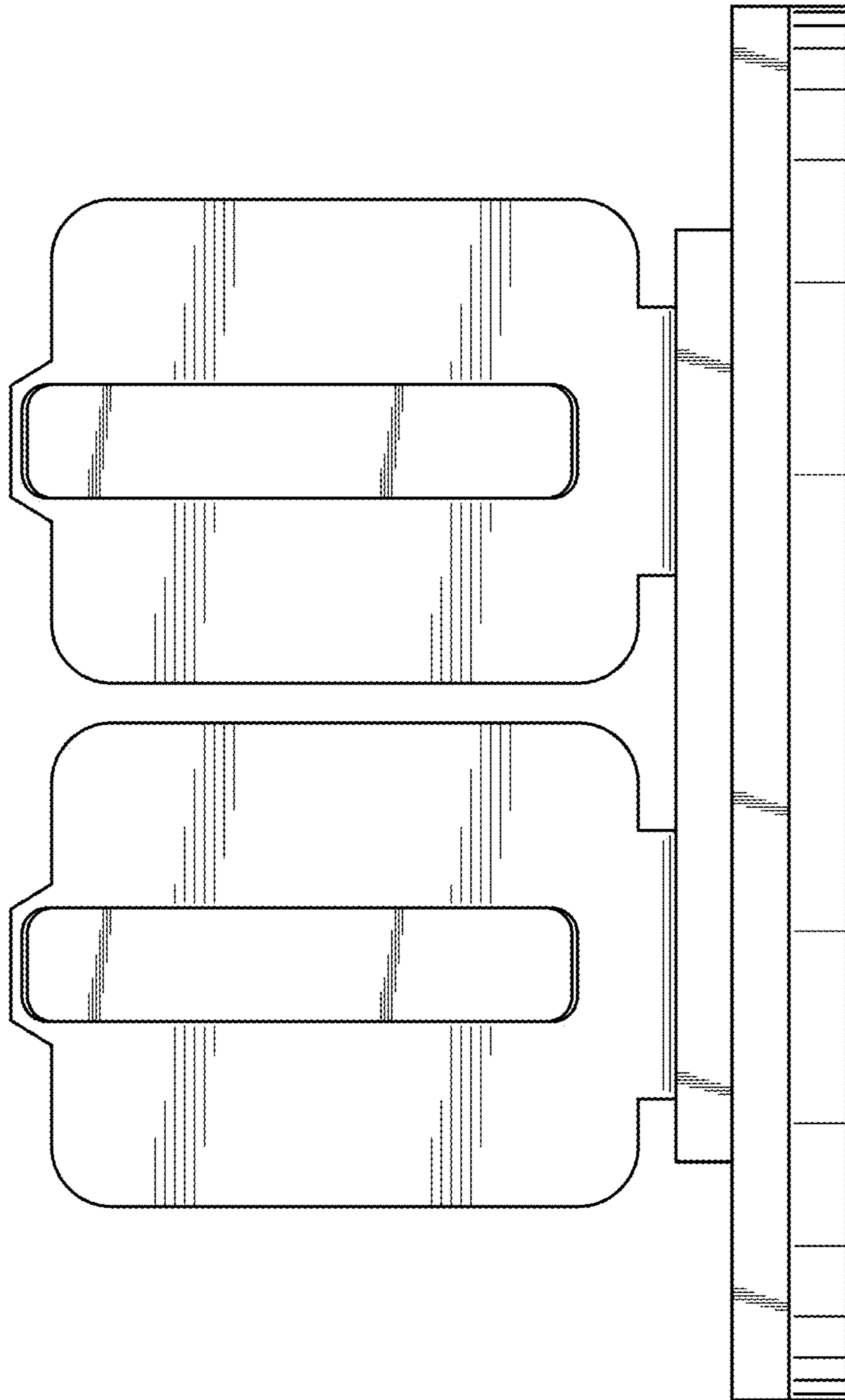


Fig. 4

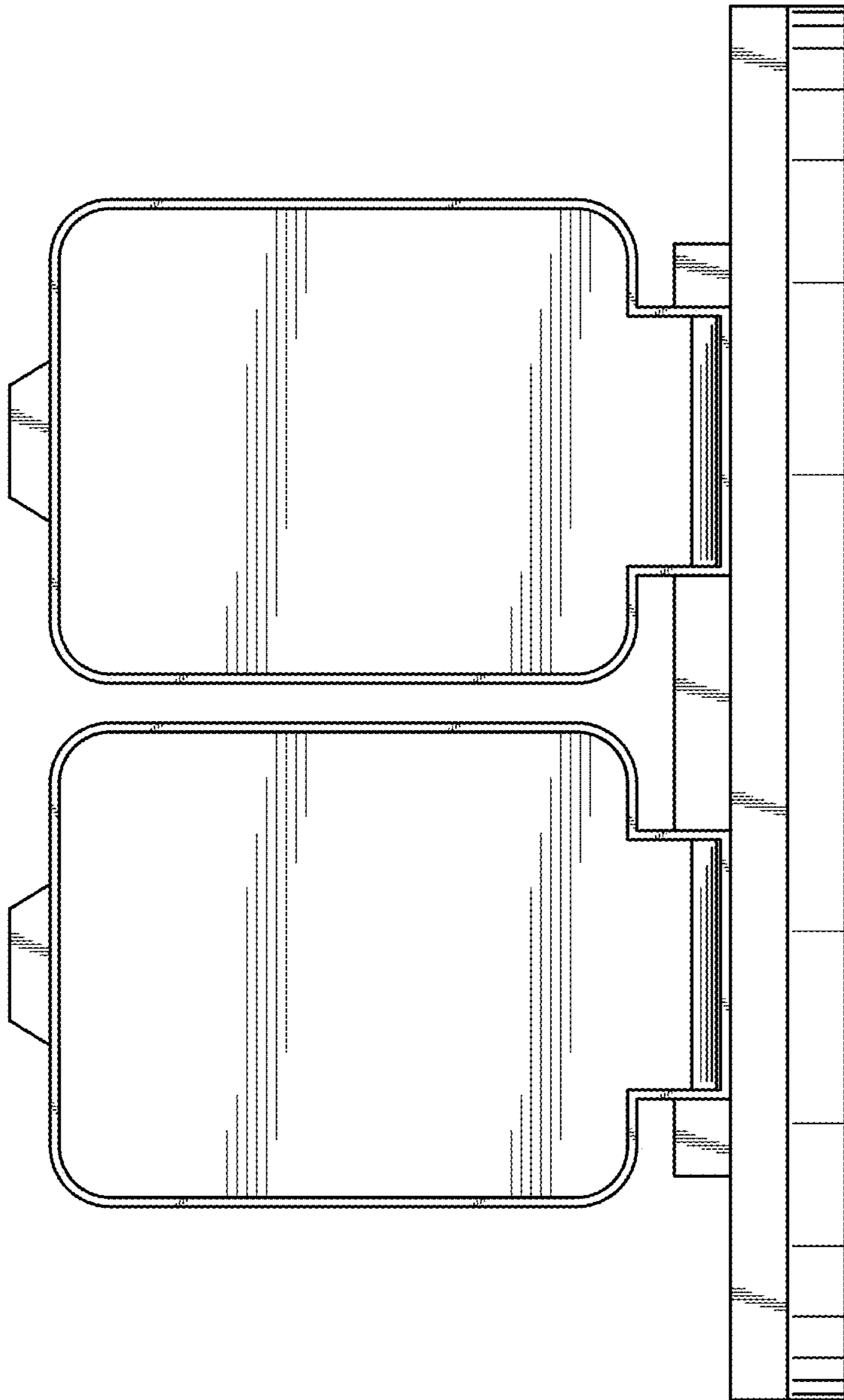


Fig. 5

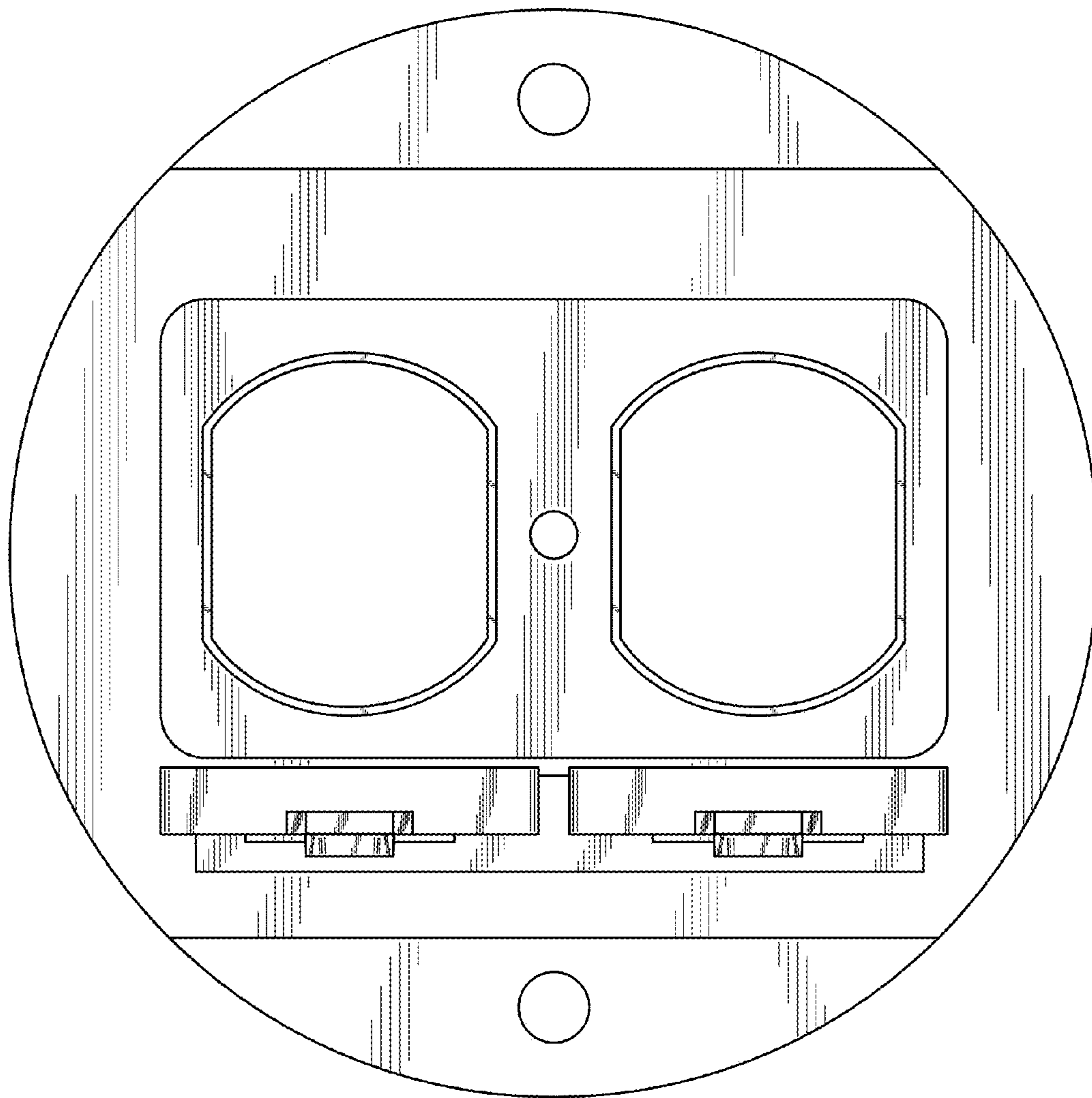


Fig. 6

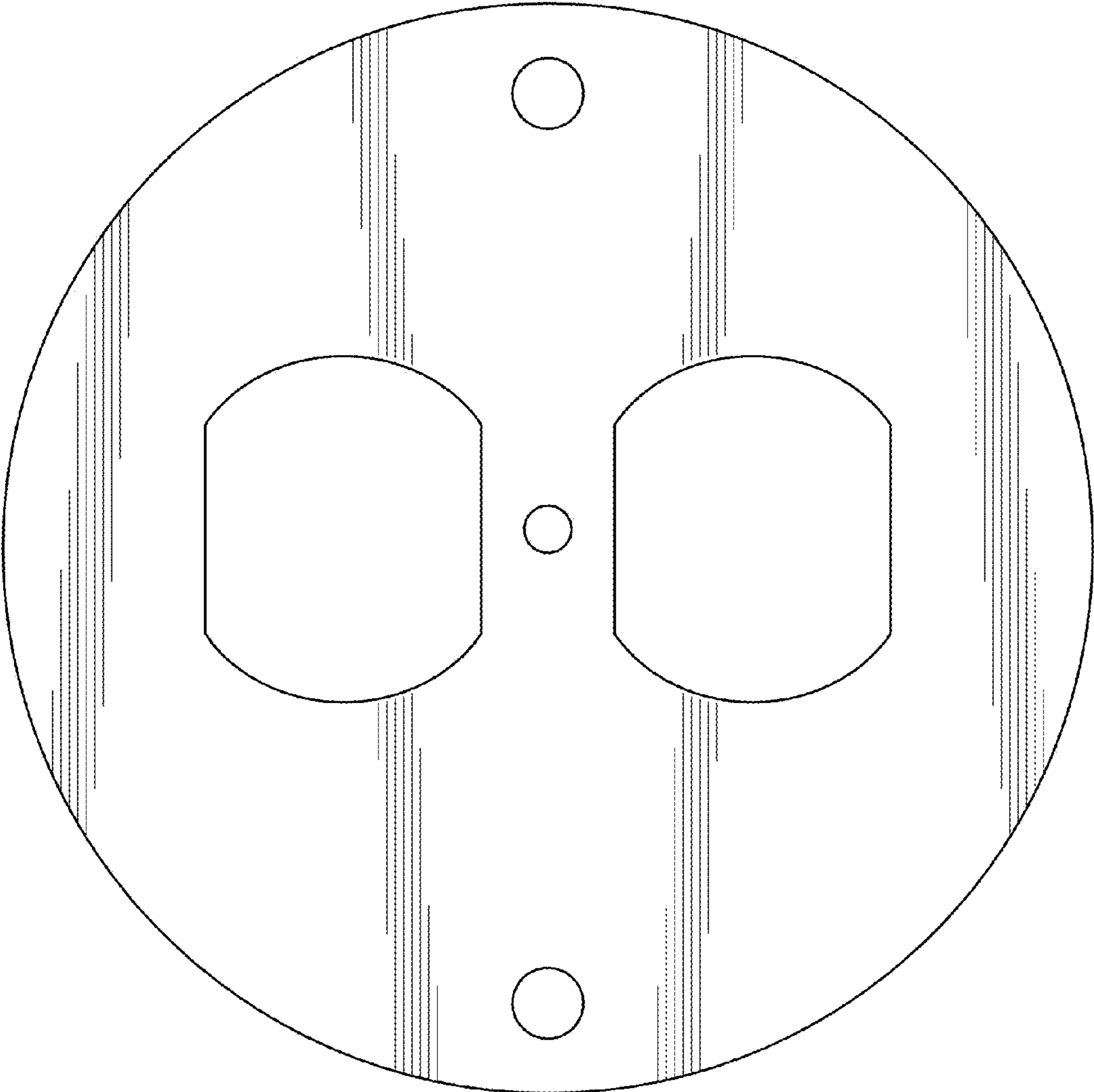


Fig. 7