



US00D765603S

(12) **United States Design Patent** (10) **Patent No.:** **US D765,603 S**
Baldwin et al. (45) **Date of Patent:** **** Sep. 6, 2016**

- (54) **CABLE RAIL**
- (71) Applicants: **Jeffrey Baldwin**, Desert Hills, AZ (US); **John Klein**, Gilbert, AZ (US); **Ryan Liebengood**, Gilbert, AZ (US)
- (72) Inventors: **Jeffrey Baldwin**, Desert Hills, AZ (US); **John Klein**, Gilbert, AZ (US); **Ryan Liebengood**, Gilbert, AZ (US)
- (**) Term: **15 Years**
- (21) Appl. No.: **29/529,428**
- (22) Filed: **Jun. 7, 2015**

5,523,529	A	6/1996	Holiday	
D371,343	S *	7/1996	Loftus	D13/155
D380,736	S	7/1997	Theis et al.	
D404,010	S	1/1999	Viklund et al.	
6,021,619	A *	2/2000	Månsson	H02G 3/0425 52/220.3
D423,325	S *	4/2000	Liss	D8/349
6,191,363	B1 *	2/2001	Samuels	H02G 3/0425 174/68.3
D448,737	S *	10/2001	Nakamura	D13/155
D486,130	S *	2/2004	Thibault	D13/184
D498,211	S	11/2004	Thibault	
D503,968	S	4/2005	Ruddick	
D503,969	S	4/2005	Ruddick	
D504,938	S	5/2005	Ruddick	
7,128,585	B2 *	10/2006	Evilsizer	H01R 25/14 439/120
D539,752	S	4/2007	Ruddick	
D541,143	S	4/2007	Ruddick	
7,375,280	B2	5/2008	VanderVelde et al.	
7,574,836	B2 *	8/2009	Wesolowska	E04F 19/04 439/216
7,696,434	B2	4/2010	Ruddick	
D626,817	S	11/2010	Donowho et al.	
D635,935	S	4/2011	Donowho	
D669,035	S	10/2012	Ruddick	
D671,502	S	11/2012	Ruddick	

Related U.S. Application Data

- (62) Division of application No. 29/489,866, filed on May 3, 2014, now Pat. No. Des. 733,664.
- (51) **LOC (10) Cl.** **13-03**
- (52) **U.S. Cl.**
USPC **D13/155**
- (58) **Field of Classification Search**
USPC D13/155, 153, 156, 157, 184, 199;
D8/349, 354, 356, 394, 396; 174/68.1,
174/68.2, 68.3; 248/49, 53, 60; 361/827;
385/134, 135; 439/207, 210, 446, 445,
439/447
CPC G02B 6/4452; G02B 6/4459; G02B 6/4478;
G02B 6/3608; H02G 3/045; H02G 3/046;
H02G 3/0487; H02G 3/26; H02G 9/06;
H02G 5/06; B29C 47/0028
See application file for complete search history.

References Cited

- (56) **U.S. PATENT DOCUMENTS**
- 3,786,171 A * 1/1974 Shira H02G 3/0425
138/108
- 4,423,284 A * 12/1983 Kaplan H02G 3/0431
138/157
- 5,357,053 A * 10/1994 Manaras H02G 3/105
174/101
- D353,277 S * 12/1994 Irvin D8/373

(Continued)

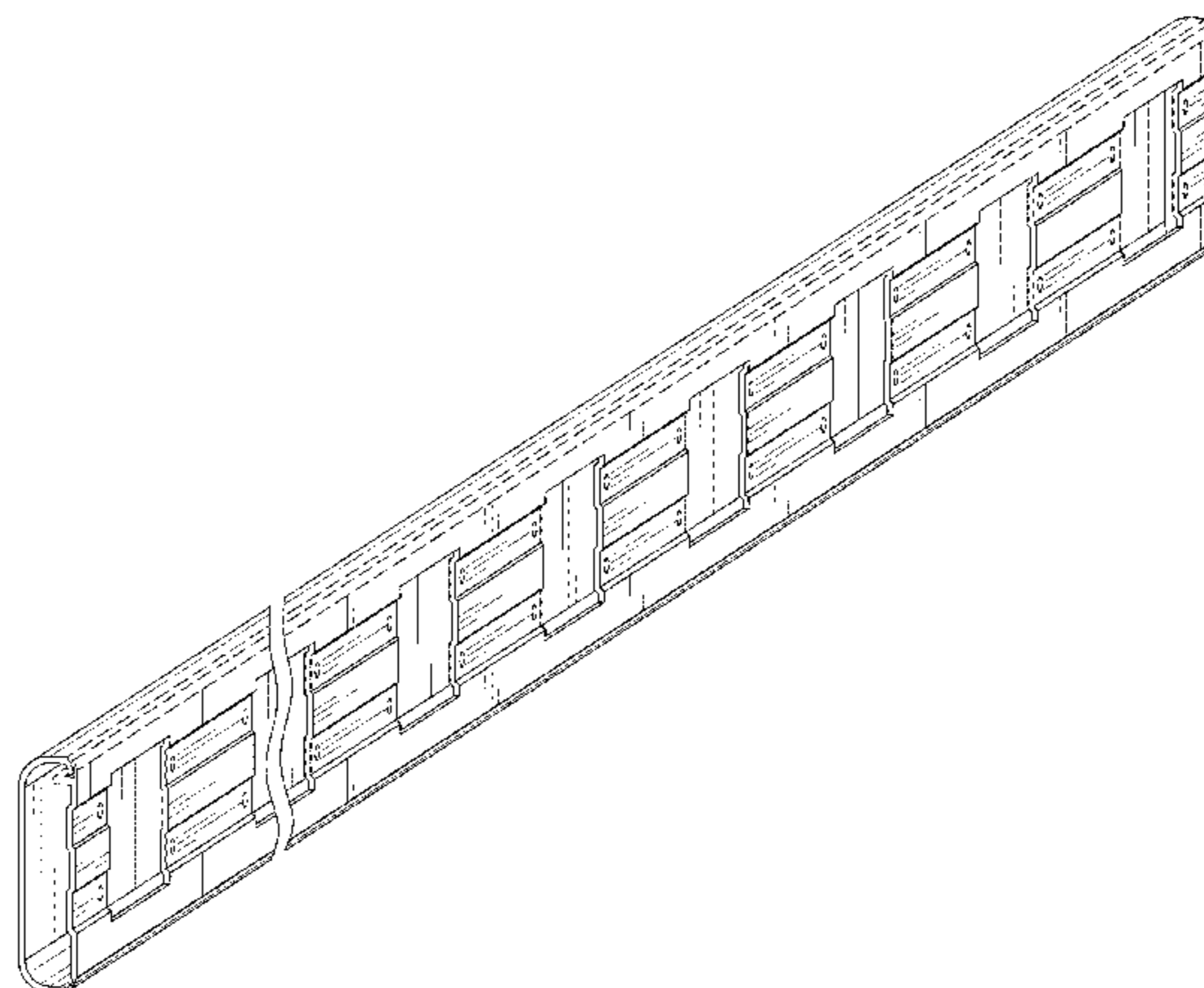
Primary Examiner — Derrick Holland
Assistant Examiner — Jennifer O King
 (74) *Attorney, Agent, or Firm* — Ryan Liebengood

(57) **CLAIM**
 We claim the ornamental design for a cable rail, as shown and described.

DESCRIPTION

FIG. 1 is a perspective view of a cable rail showing our design;
 FIG. 2 is a an enlarged end view thereof;
 FIG. 3 is an enlarged rear elevational view thereof;
 FIG. 4 is an enlarged front elevational view thereof;
 FIG. 5 is an enlarged top plan view thereof; and,
 FIG. 6 is an enlarged bottom plan view thereof.
 The broken lines shown represent unclaimed subject matter and form no part of the claimed design.

1 Claim, 3 Drawing Sheets



US D765,603 S

Page 2

(56)

References Cited

U.S. PATENT DOCUMENTS

D683,318 S	5/2013	Ruddick		
D716,237 S	* 10/2014	Baldwin D13/155	* cited by examiner
D717,741 S	* 11/2014	Baldwin D13/155	
D748,064 S	* 1/2016	Baldwin D13/155	
2014/0118892 A1	* 5/2014	Makwinski H02G 3/26 361/675	

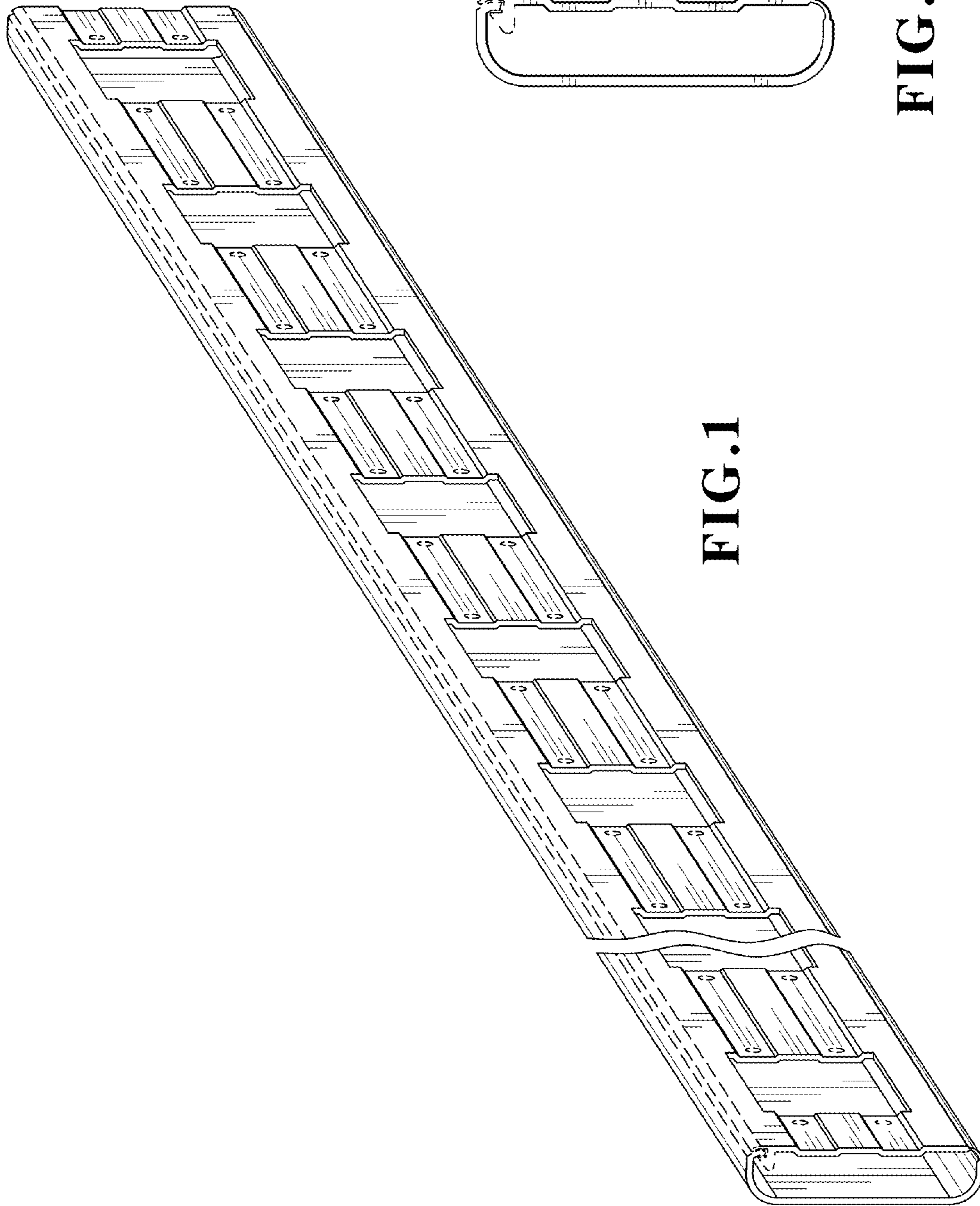


FIG. 1

FIG. 2

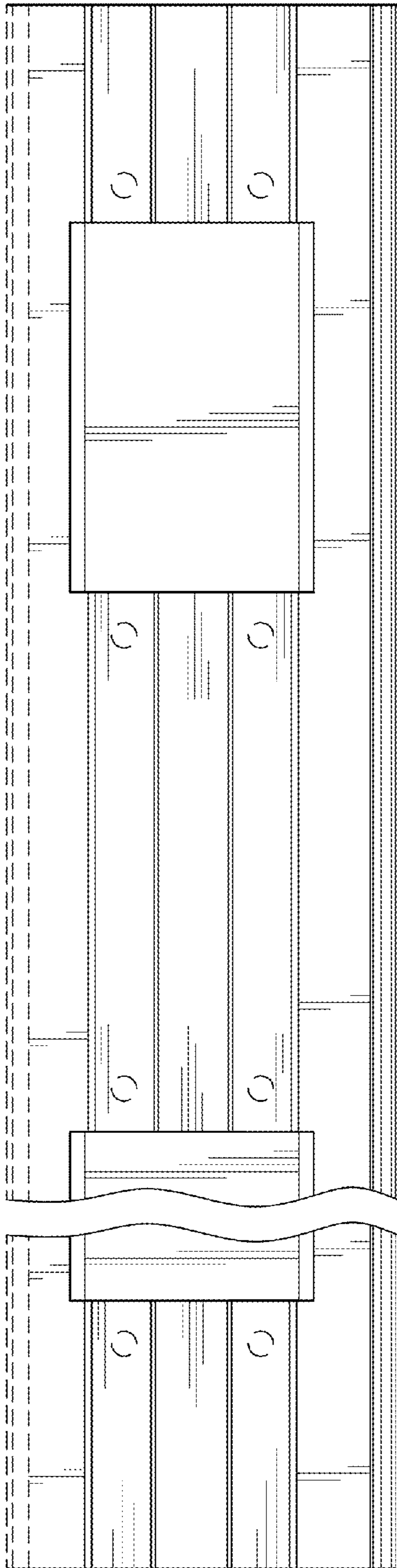


FIG. 3

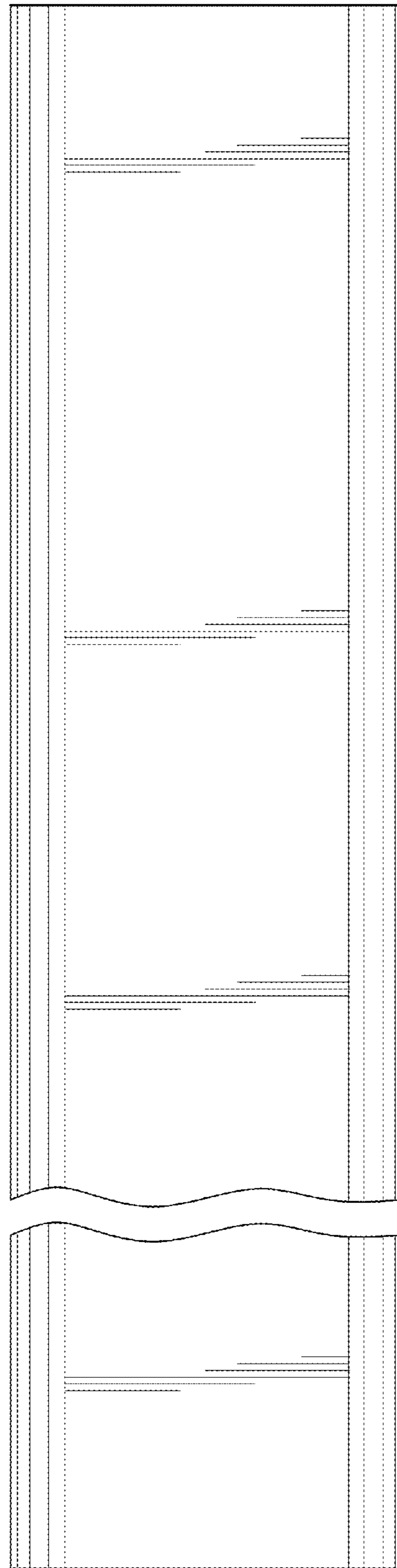


FIG. 4

FIG. 5

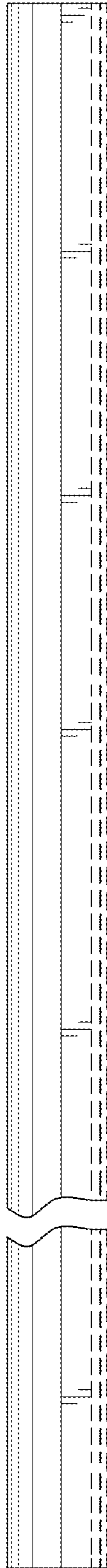


FIG. 6

