

US00D765601S

(12) **United States Design Patent** (10) **Patent No.:** **US D765,601 S**
Palmer (45) **Date of Patent:** **** Sep. 6, 2016**

(54) **CONNECTOR**

(71) Applicant: **Kikkerland Design, Inc.**, New York, NY (US)

(72) Inventor: **Joseph Palmer**, New York, NY (US)

(73) Assignee: **Kikkerland Design, Inc.**, New York, NY (US)

(**) Term: **14 Years**

(21) Appl. No.: **29/518,529**

(22) Filed: **Feb. 24, 2015**

(51) **LOC (10) Cl.** **13-03**

(52) **U.S. Cl.**
USPC **D13/147**

(58) **Field of Classification Search**
USPC D13/107, 110, 120, 146, 147, 154, 184, D13/199
CPC H01R 4/26; H01R 4/2425; H01R 9/31; H01R 9/032; H01R 9/05; H01R 9/0757; H01R 9/09; H01R 9/091; H01R 9/226; H01R 11/22; H01R 11/32; H01R 12/53; H01R 12/58; H01R 12/592; H01R 12/61; H01R 12/62; H01R 12/675; H01R 12/70

See application file for complete search history.

(56) **References Cited**

U.S. PATENT DOCUMENTS

D694,243 S	11/2013	Akana et al.
D713,354 S	9/2014	Akana et al.
D713,796 S	9/2014	Akana et al.

Primary Examiner — Daniel Bui

(74) *Attorney, Agent, or Firm* — Charles H Jew

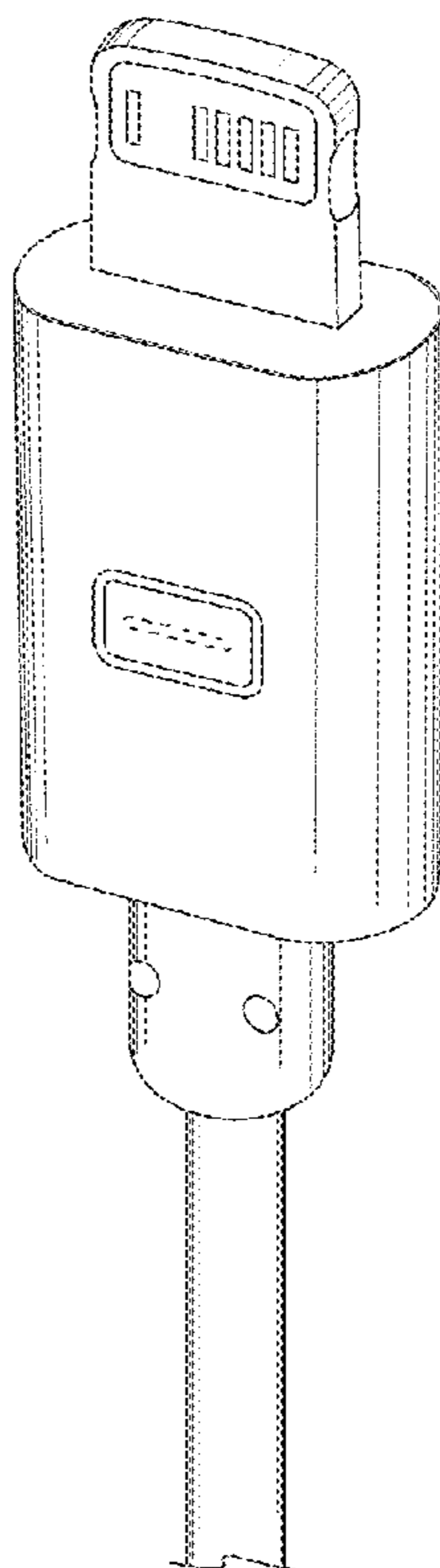
(57) **CLAIM**

The ornamental design for a connector, as shown and described.

DESCRIPTION

FIG. 1 is a top plan view of a connector showing my new design;
FIG. 2 is a bottom plan view thereof;
FIG. 3 is a left side elevation view thereof;
FIG. 4 is a right side elevation view thereof;
FIG. 5 is a front elevation view thereof;
FIG. 6 is a rear elevation view thereof; and,
FIG. 7 is a front, bottom and side perspective view thereof.
The broken lines shown in the FIGS. 1, 2 and 7 represent portions of connector that form no part of the claimed design.

1 Claim, 2 Drawing Sheets



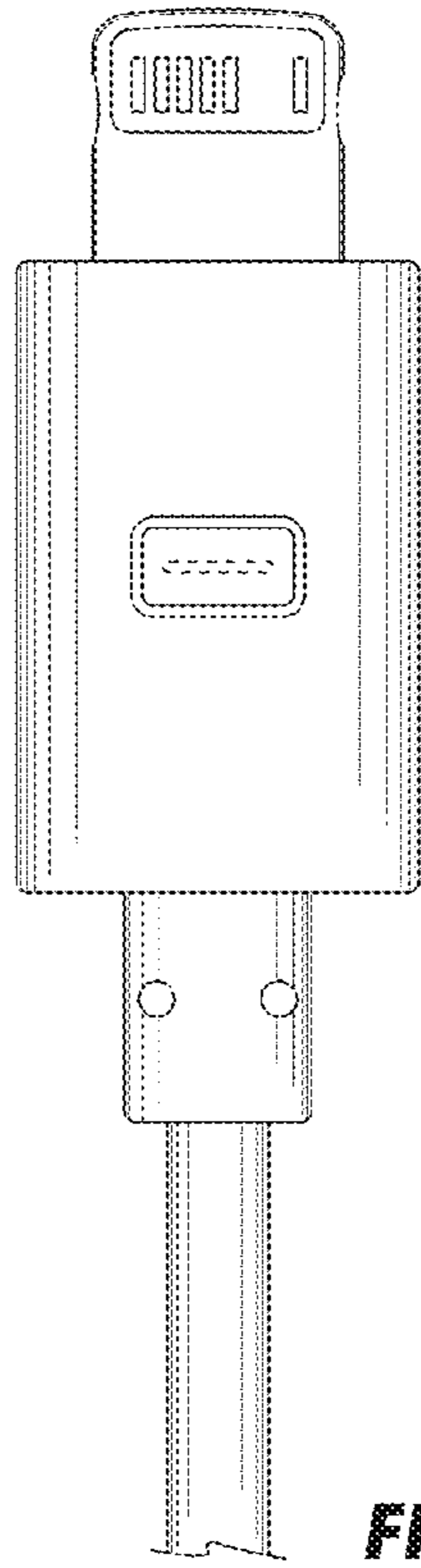


FIG. 1

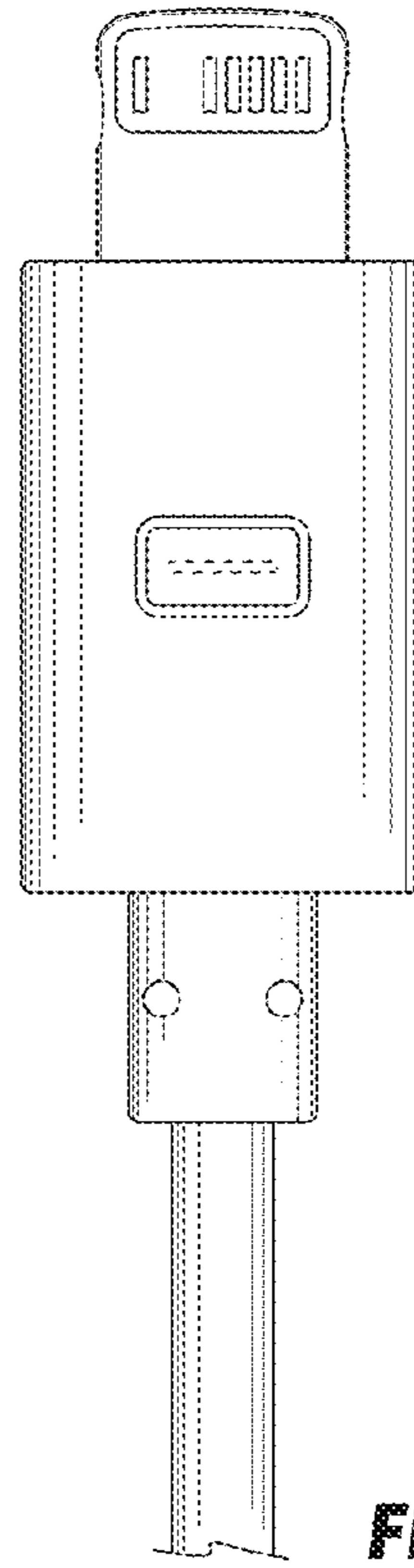


FIG. 2

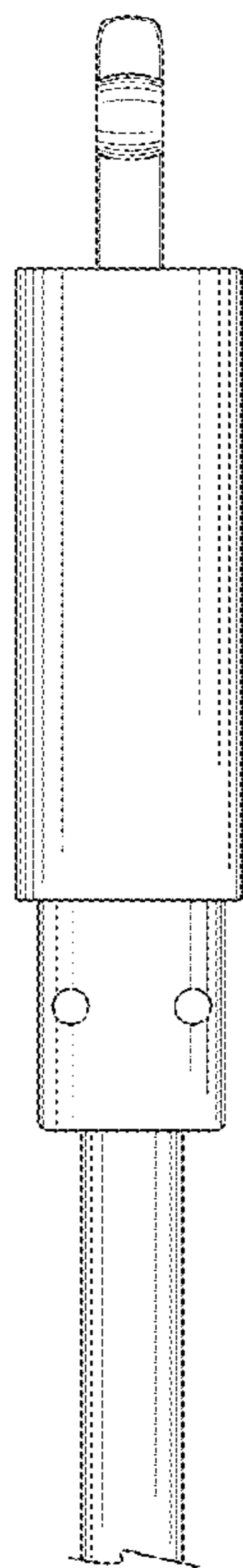


FIG. 3

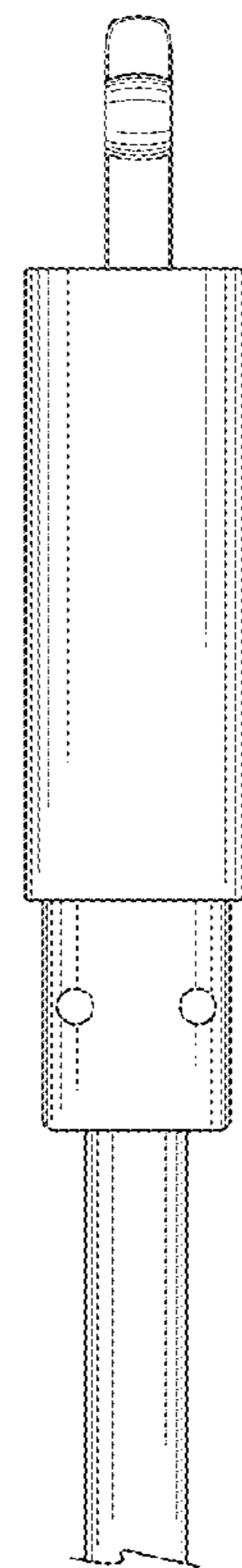


FIG. 4

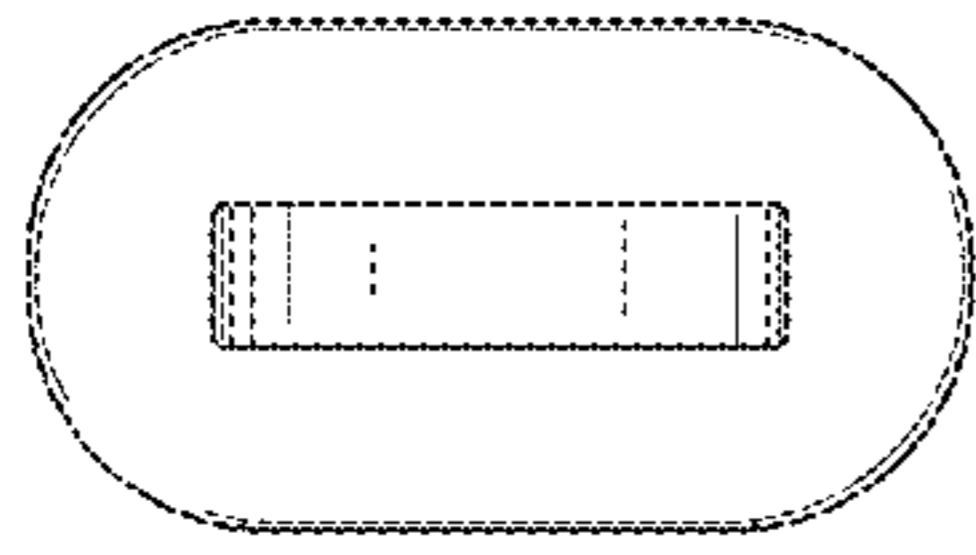


FIG. 5

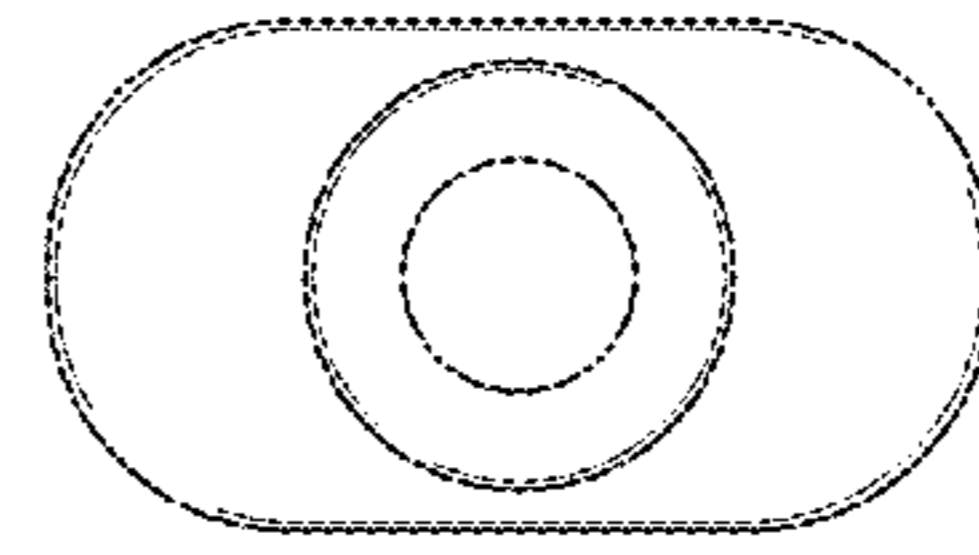


FIG. 6

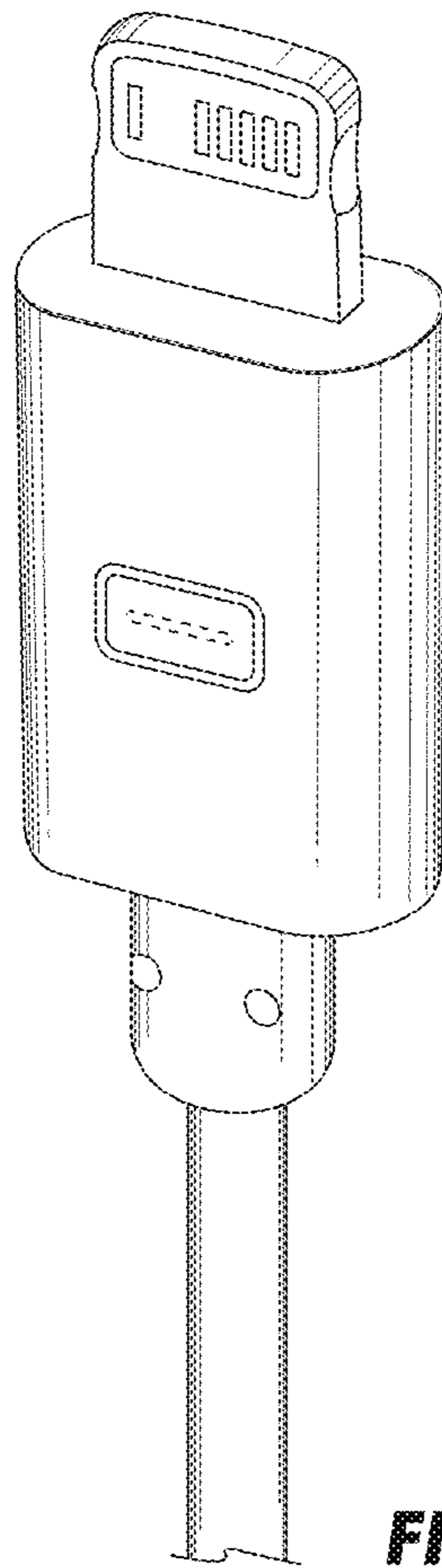


FIG. 7