

US00D765599S

(12) **United States Design Patent**  
**Naumann et al.**

(10) **Patent No.:** **US D765,599 S**  
(45) **Date of Patent:** **\*\* Sep. 6, 2016**

(54) **SOCKET**

(71) Applicants: **Reiner Naumann**, Mannheim (DE);  
**Dieter Sauer**, Heddesbach (DE); **Lars Wischgoll**, Eberbach (DE)

(72) Inventors: **Reiner Naumann**, Mannheim (DE);  
**Dieter Sauer**, Heddesbach (DE); **Lars Wischgoll**, Eberbach (DE)

(73) Assignee: **Cooper Crouse-Hinds GmbH**, Soest (DE)

(\*\*) Term: **14 Years**

(21) Appl. No.: **29/479,319**

(22) Filed: **Jan. 14, 2014**

(30) **Foreign Application Priority Data**

Jul. 17, 2013 (EM) ..... 002275958

(51) **LOC (10) Cl.** ..... **13-03**

(52) **U.S. Cl.**  
USPC ..... **D13/133**

(58) **Field of Classification Search**

CPC ..... H01R 4/50; H01R 13/20; H01R 13/73;  
H01R 13/645; H01R 13/527; H01R 2103/00;  
H01R 24/04; H01R 29/00; H01R 1/109;  
H04B 3/00; H01H 85/50

See application file for complete search history.

(56) **References Cited**

**U.S. PATENT DOCUMENTS**

D225,581 S \* 12/1972 Danti ..... D13/110  
5,157,577 A \* 10/1992 Balaud ..... H02B 1/066  
200/43.22  
D408,369 S \* 4/1999 Belinky ..... D13/184  
D409,580 S \* 5/1999 Belinky ..... D13/184  
D538,742 S \* 3/2007 Pickvet ..... D13/110  
7,537,472 B1 \* 5/2009 Schwarz ..... H01R 13/527  
439/188

D594,415 S \* 6/2009 Shitakata ..... D13/133  
7,938,685 B2 \* 5/2011 Zwanger ..... H01R 13/516  
439/372  
D647,826 S \* 11/2011 Goettker ..... D12/162

(Continued)

**FOREIGN PATENT DOCUMENTS**

DE 200 21 374 U1 4/2002  
DE 20 2011 004086 U1 7/2012

(Continued)

**OTHER PUBLICATIONS**

Cooper Crouse-Hinds: Ex-Plugs & Sockets, dated Apr. 13, 2012, [online], [site visited Aug. 27, 2015]. Available from Internet, <URL: <https://www.youtube.com/watch?v=kHNjWbJJmyM>>.\*

(Continued)

*Primary Examiner* — Thomas Johannes  
*Assistant Examiner* — Shawn T Gingrich  
(74) *Attorney, Agent, or Firm* — King & Spalding LLP

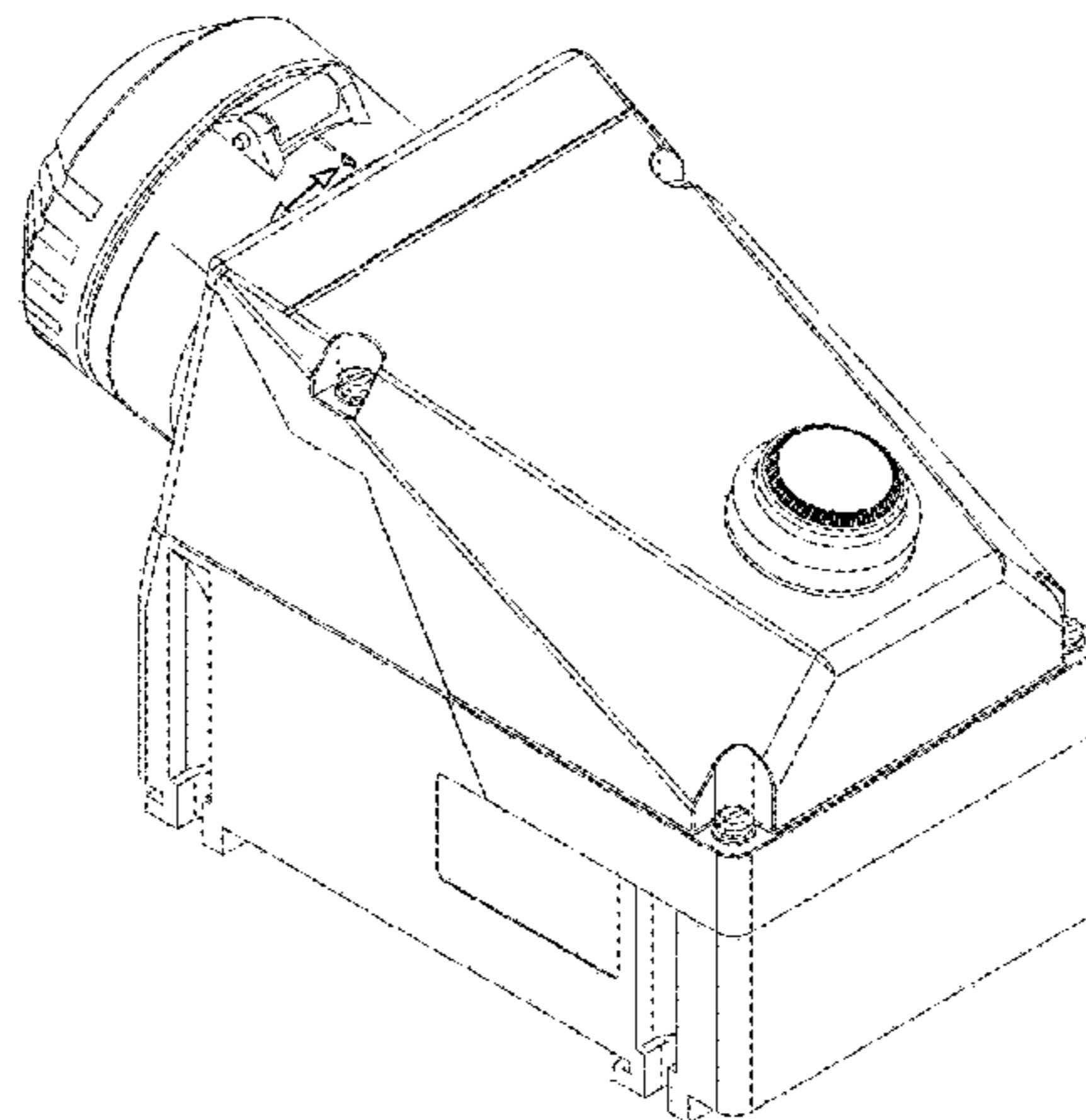
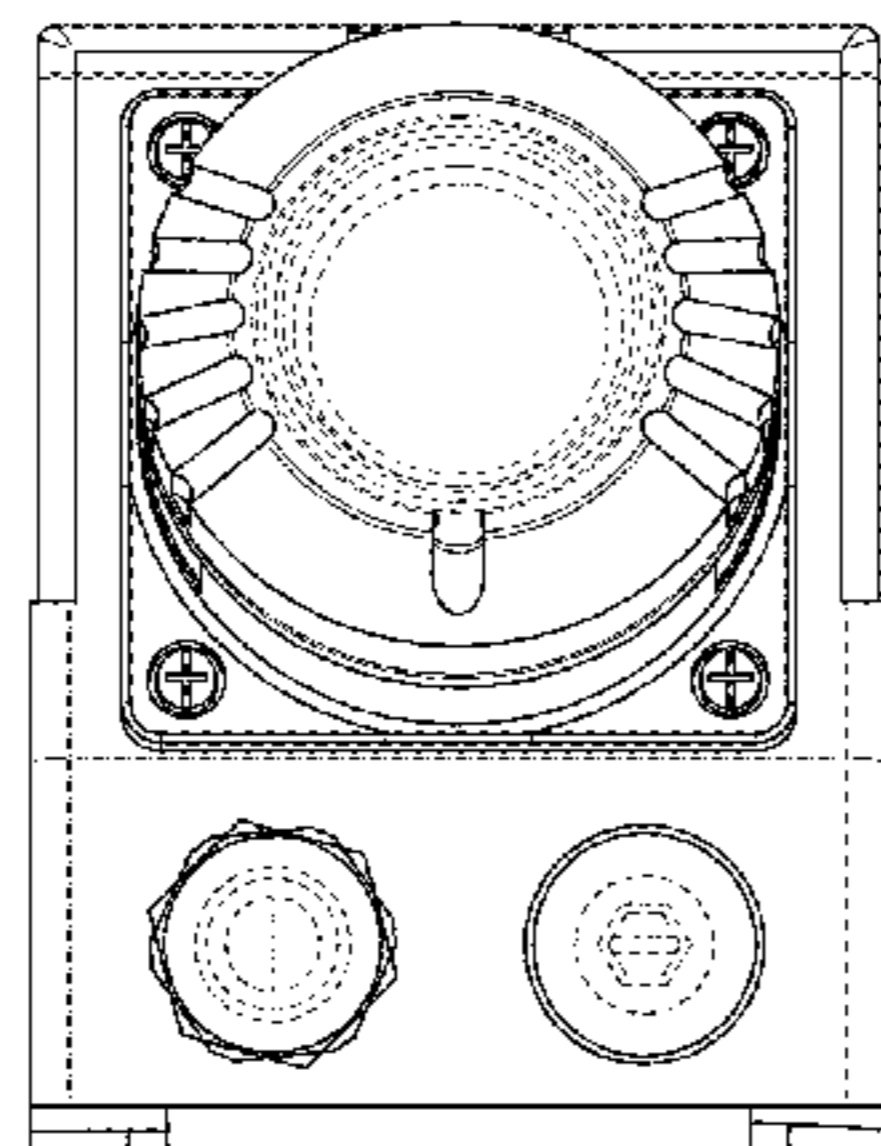
(57) **CLAIM**

The ornamental design for a socket, as shown and described.

**DESCRIPTION**

FIG. 1 is a top view of a first embodiment of a socket, showing our new design;  
FIG. 2 is a left side view thereof;  
FIG. 3 is a right side view thereof;  
FIG. 4 is a bottom view thereof;  
FIG. 5 is a front view thereof;  
FIG. 6 is a rear view thereof; and  
FIG. 7 is a perspective view thereof.  
FIG. 8 is a top view of a second embodiment of a socket, showing our new design;  
FIG. 9 is a left side view thereof;  
FIG. 10 is a right side view thereof;  
FIG. 11 is a bottom view thereof;  
FIG. 12 is a front view thereof;  
FIG. 13 is a rear view thereof; and,  
FIG. 14 is a perspective view thereof.  
The broken line portion of the figure drawings is included to show portions of the article that form no part of the claimed design.

**1 Claim, 14 Drawing Sheets**



(56)

References Cited

OTHER PUBLICATIONS

U.S. PATENT DOCUMENTS

D647,852 S \* 11/2011 Yang ..... D13/134  
D687,775 S \* 8/2013 McGuire ..... D13/110  
2004/0102102 A1\* 5/2004 Schwarz ..... H01R 13/645  
439/682  
2005/0181657 A1\* 8/2005 Schwarz ..... H01R 13/527  
439/346  
2007/0230877 A1\* 10/2007 Liao ..... G02B 6/3895  
385/92  
2012/0105239 A1\* 5/2012 Levi ..... H01H 85/32  
340/638

FOREIGN PATENT DOCUMENTS

TW 229903 9/1994  
TW 242877 9/2004

Knack, Steffen, International Search Report and Written Opinion issued in International Application No. PCT/EP2014/001922, completion date Aug. 29, 2014, mailing date Sep. 4, 2014, European Patent Office.  
Machine Translation of DE200 21 374 U1, via LexsisNexsis Total Patent, 3 pages.  
Machine Translation of DE 20 2011 004086 U1, via LexsisNexsis Total Patent, 5 pages.  
Office Action issued in Taiwanese Application No. 103124429, completed May 11, 2016, issued May 12, 2016, 5 pages, translation 4 pages, Taiwanese Intellectual Property Office.  
Machine Translation of TW M242877, Via Google Translate, 14 pages.  
Machine Translation of TW 229903, Via LexsisNexus Total Patent, 4 pages.

\* cited by examiner

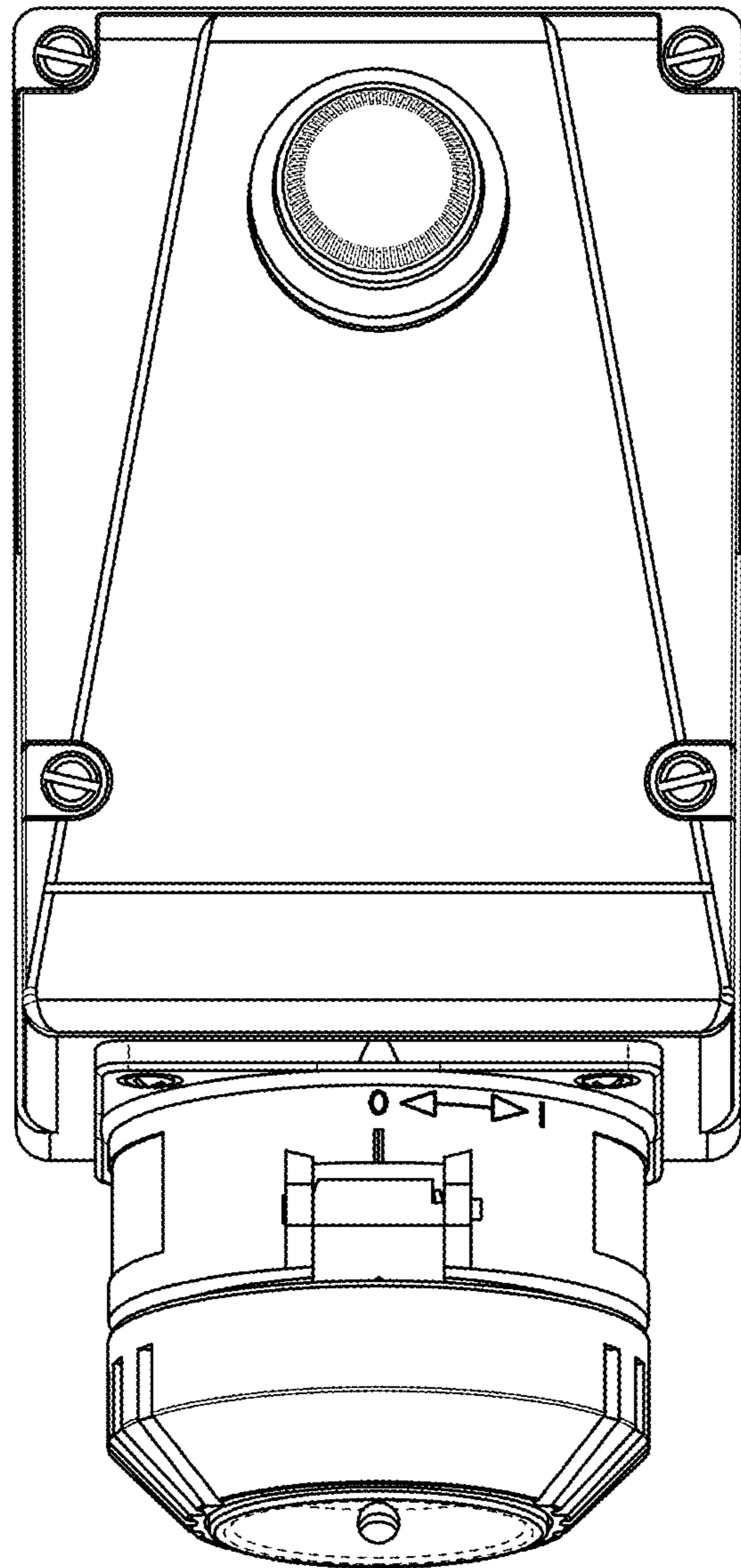


Figure 1

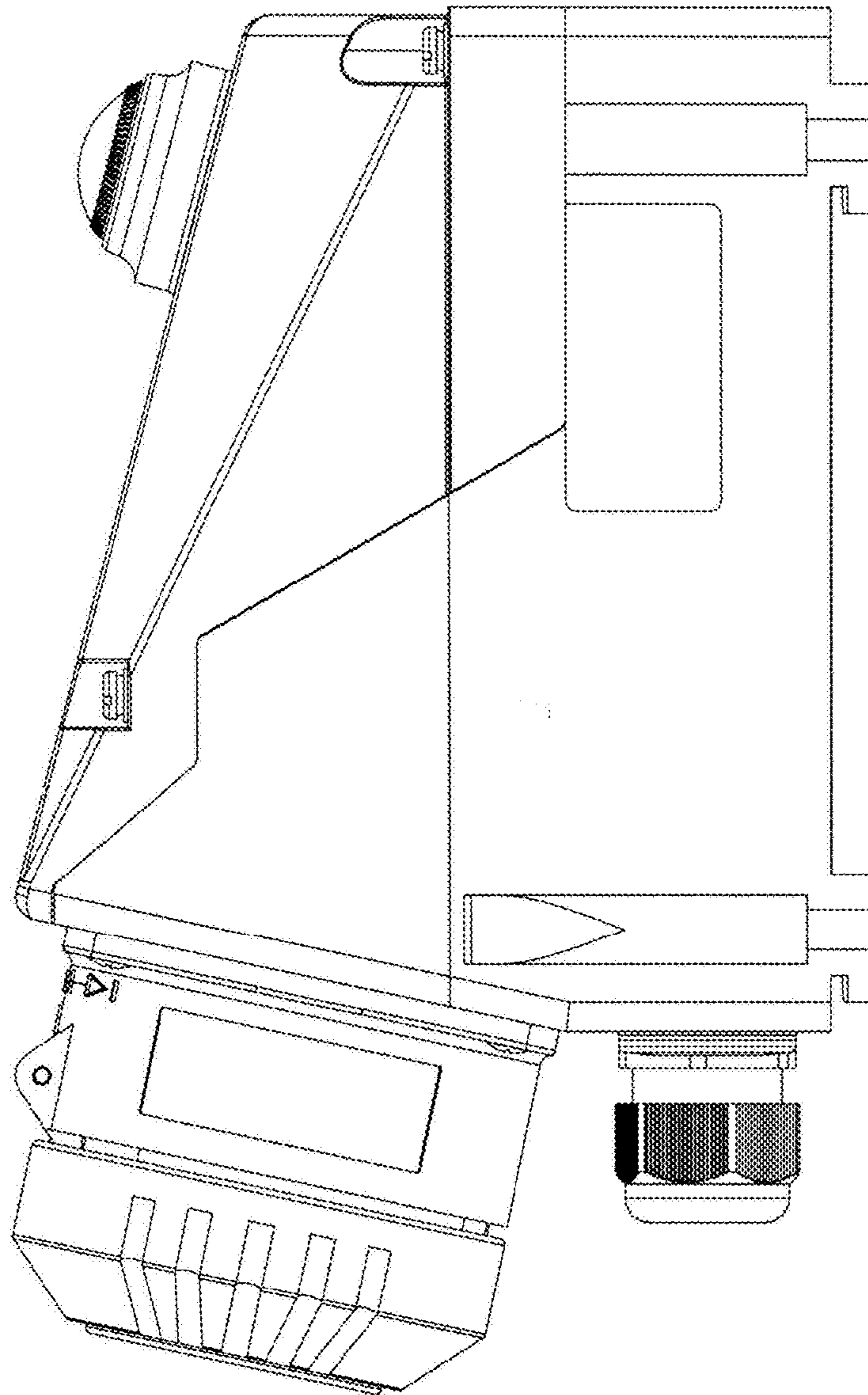


Figure 2



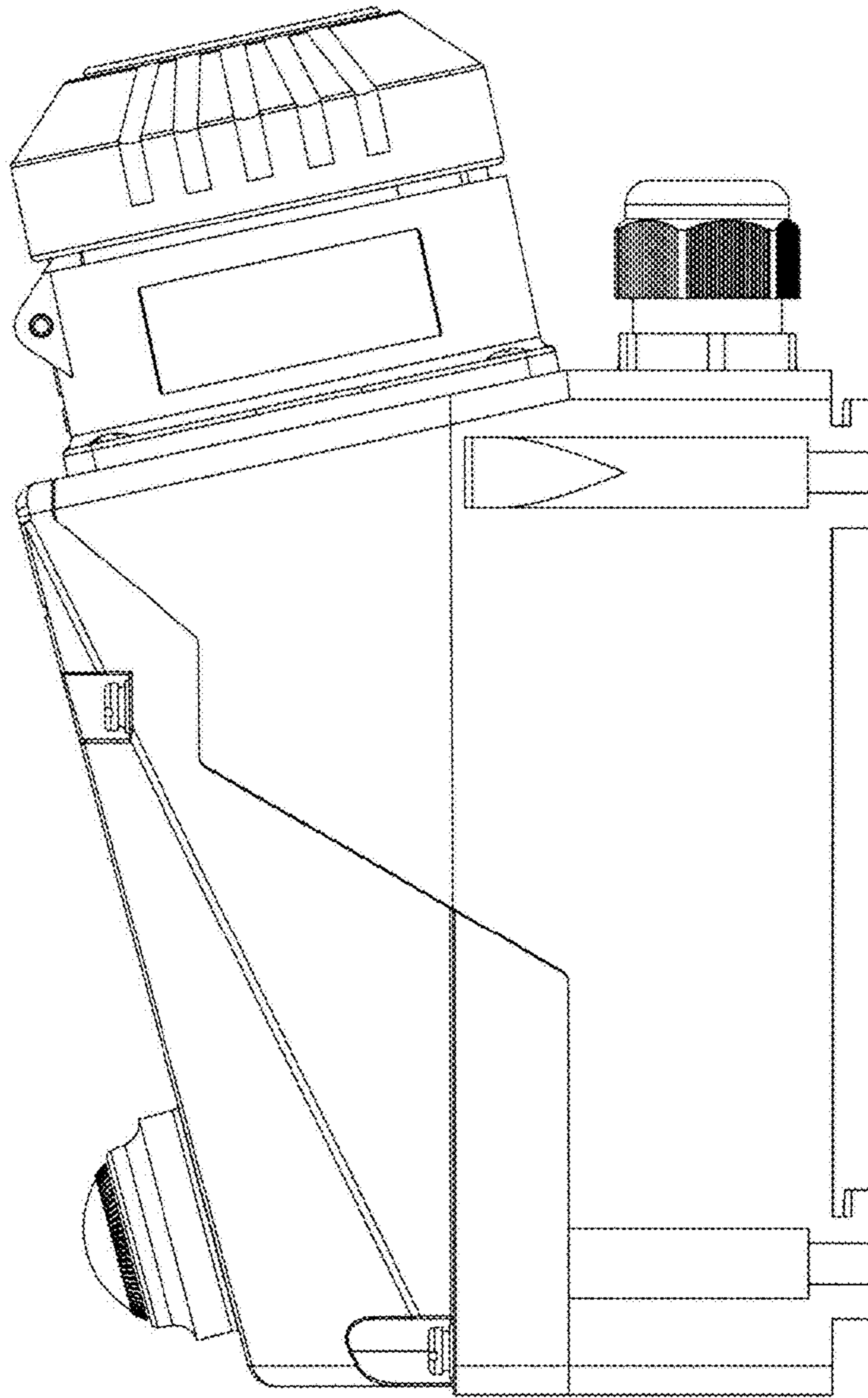


Figure 3

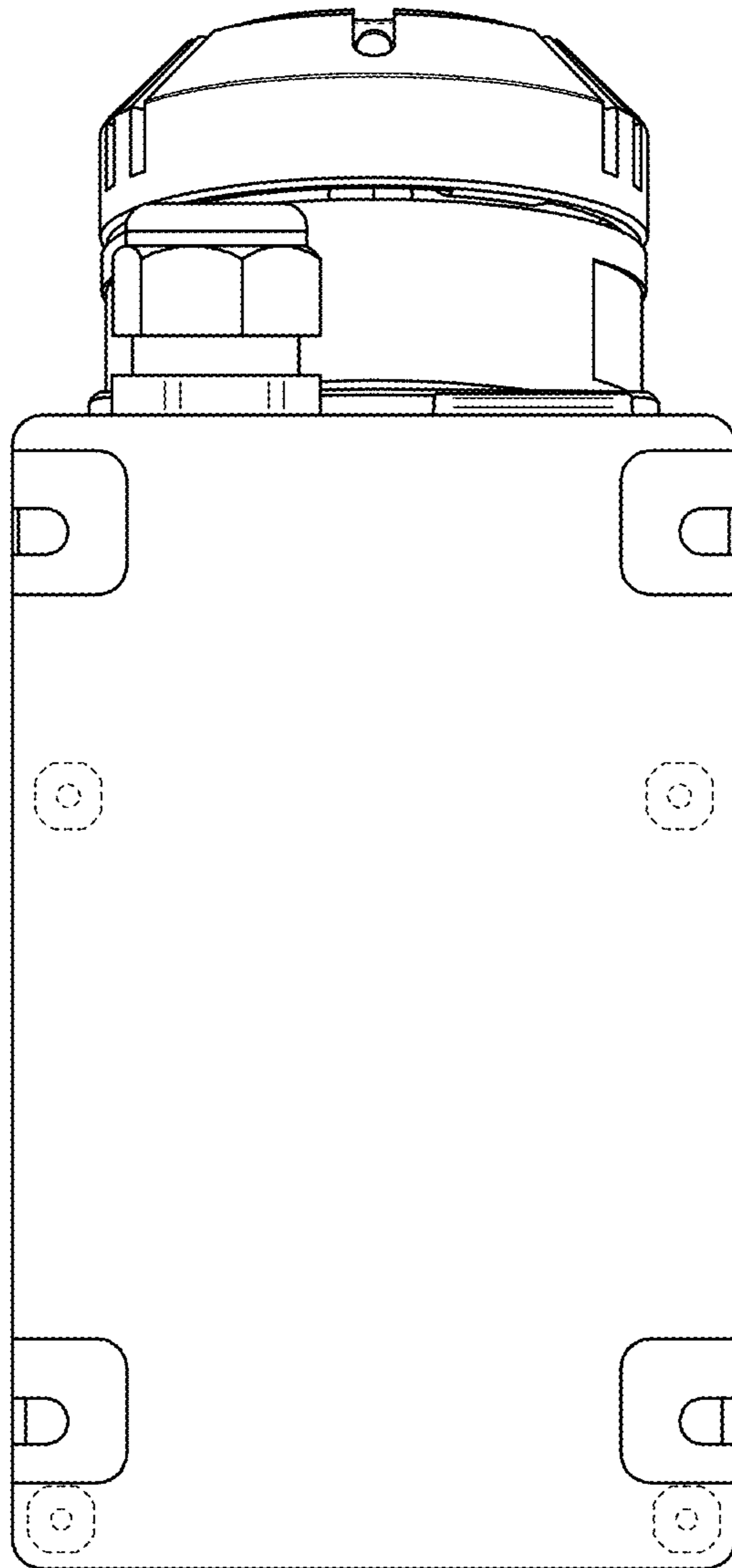


Figure 4

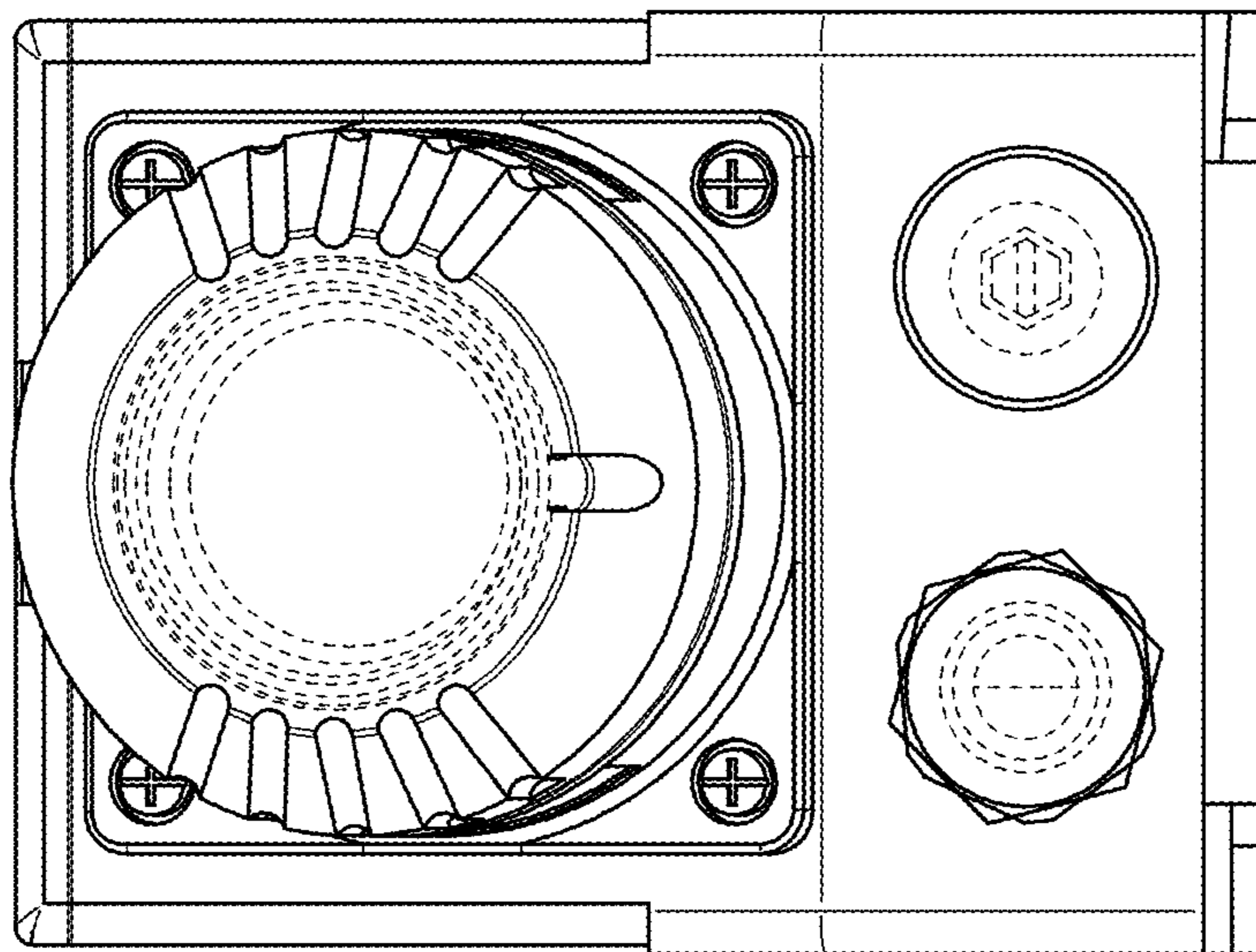


Figure 5

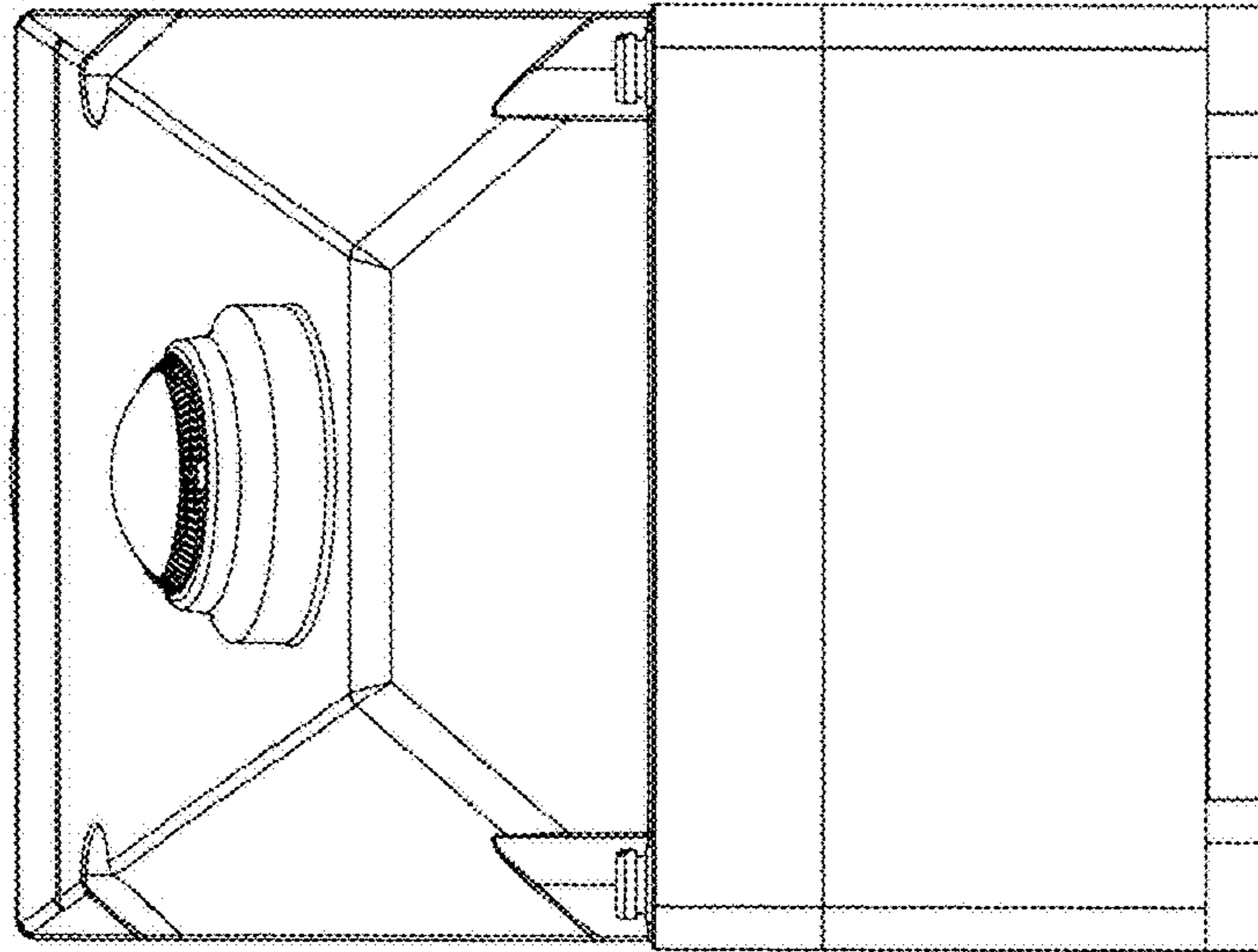


Figure 6



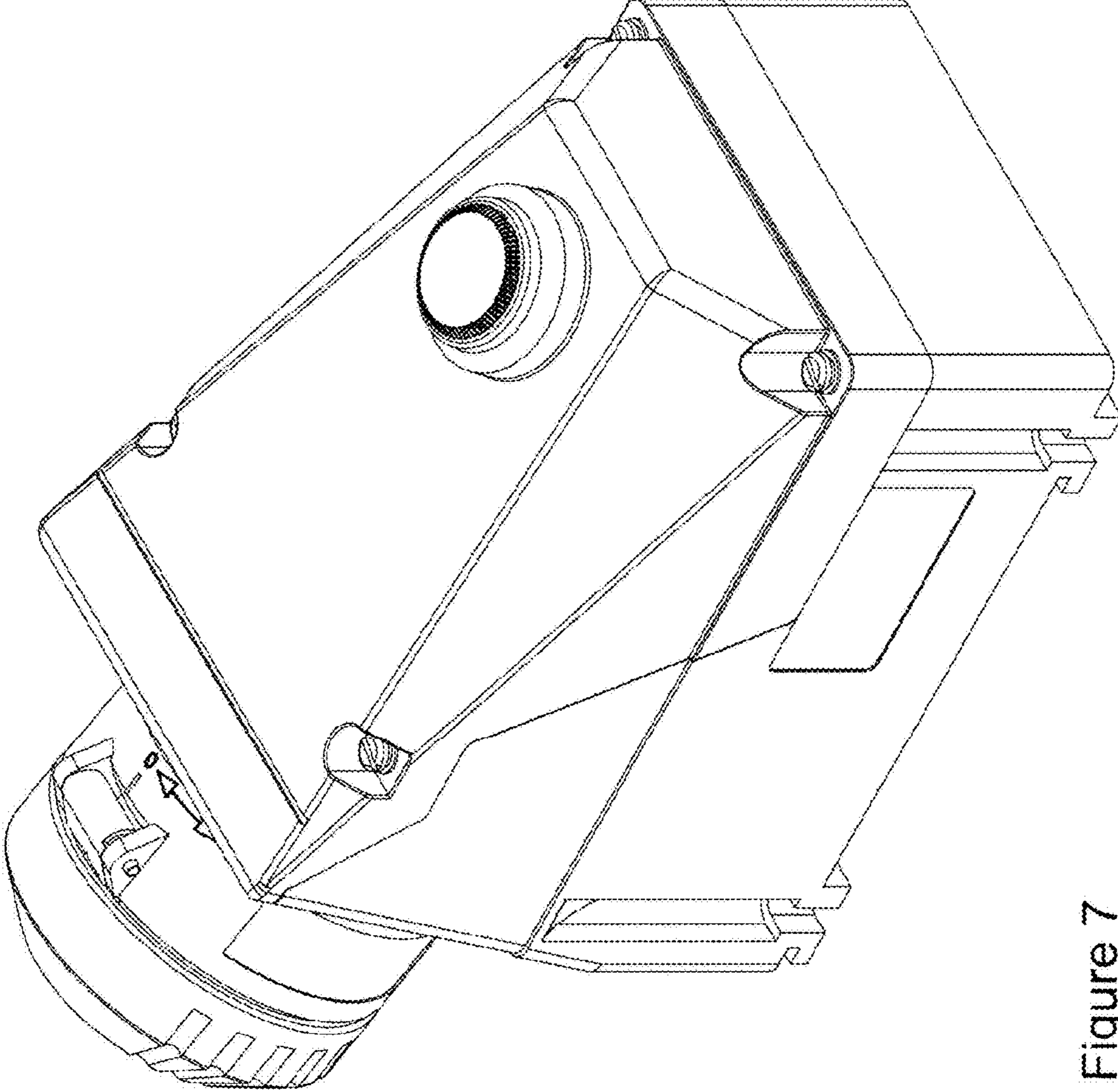


Figure 7

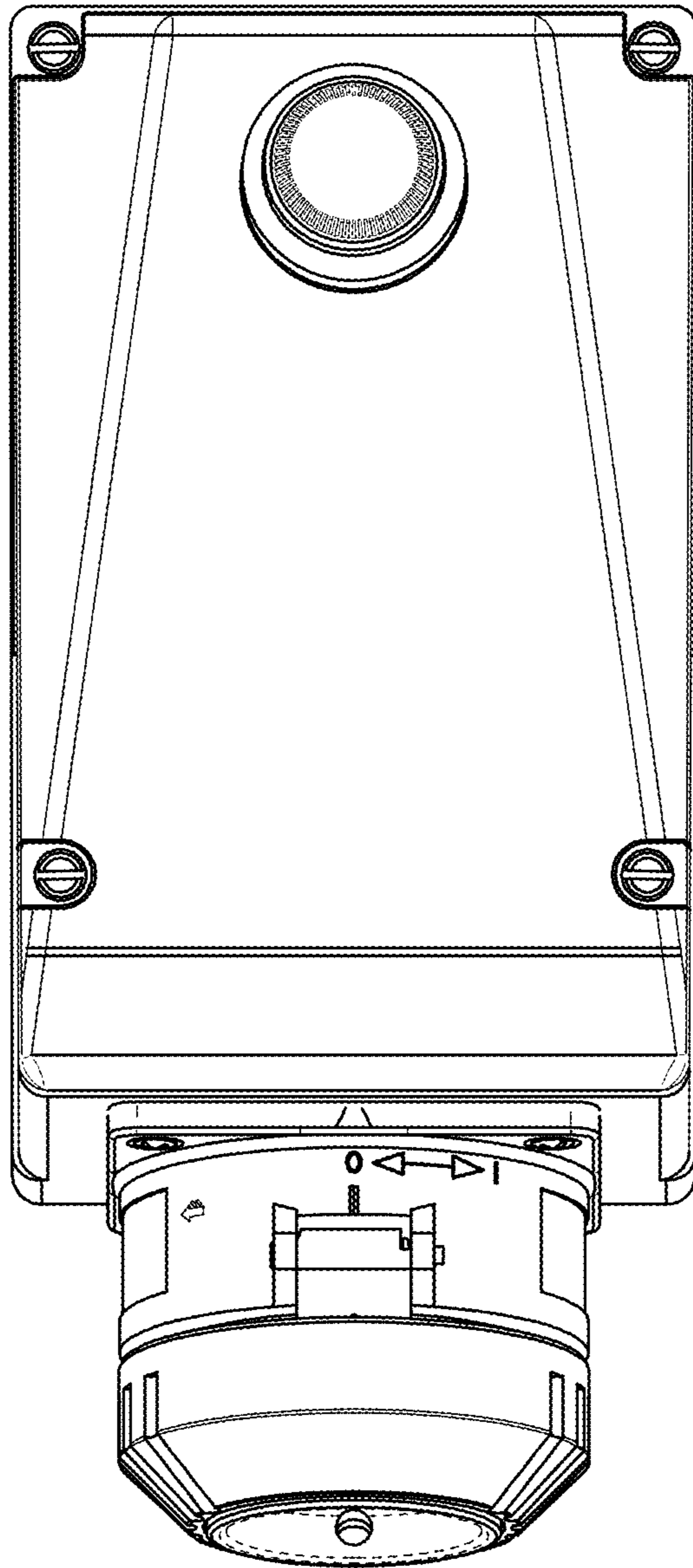


Figure 8

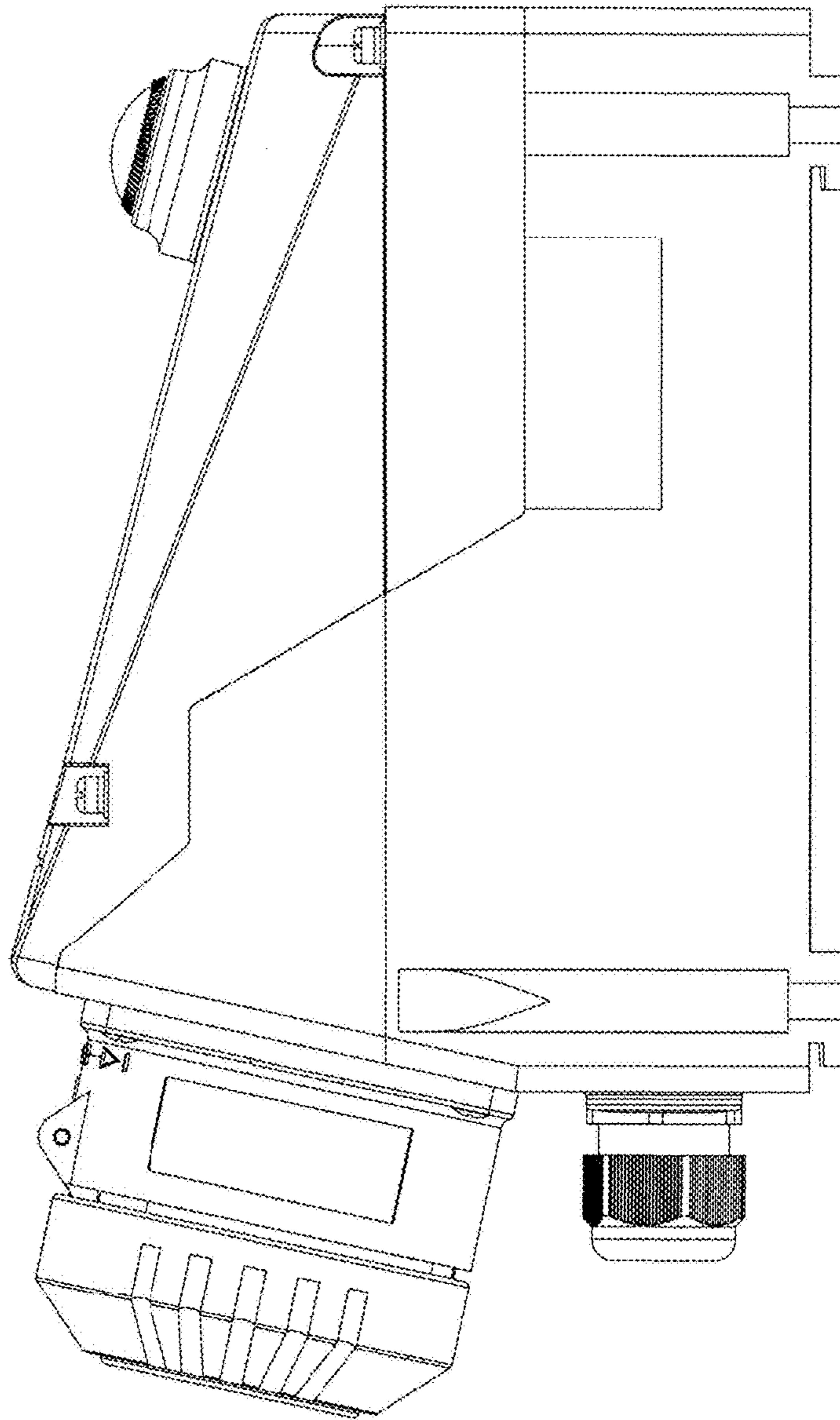


Figure 9

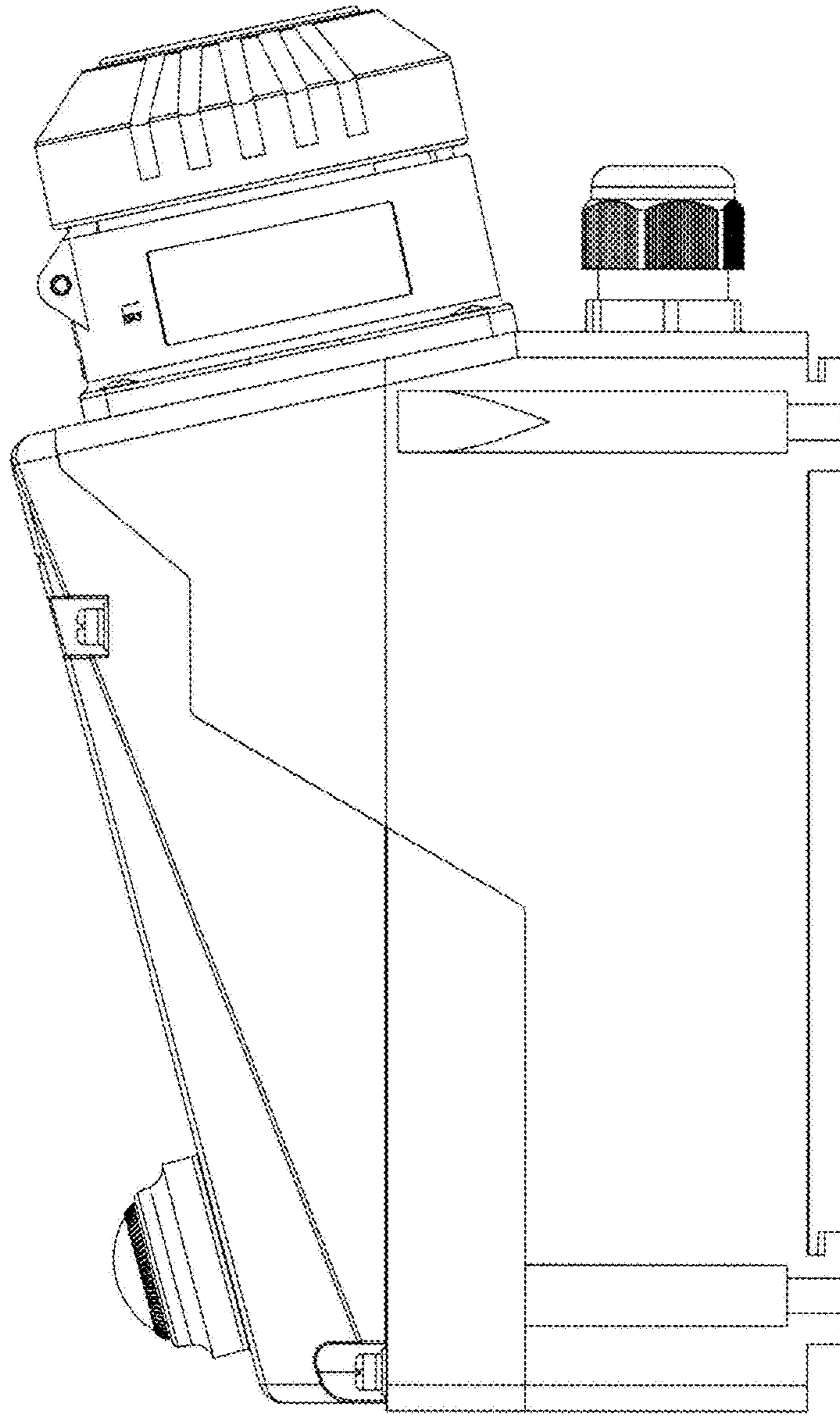


Figure 10

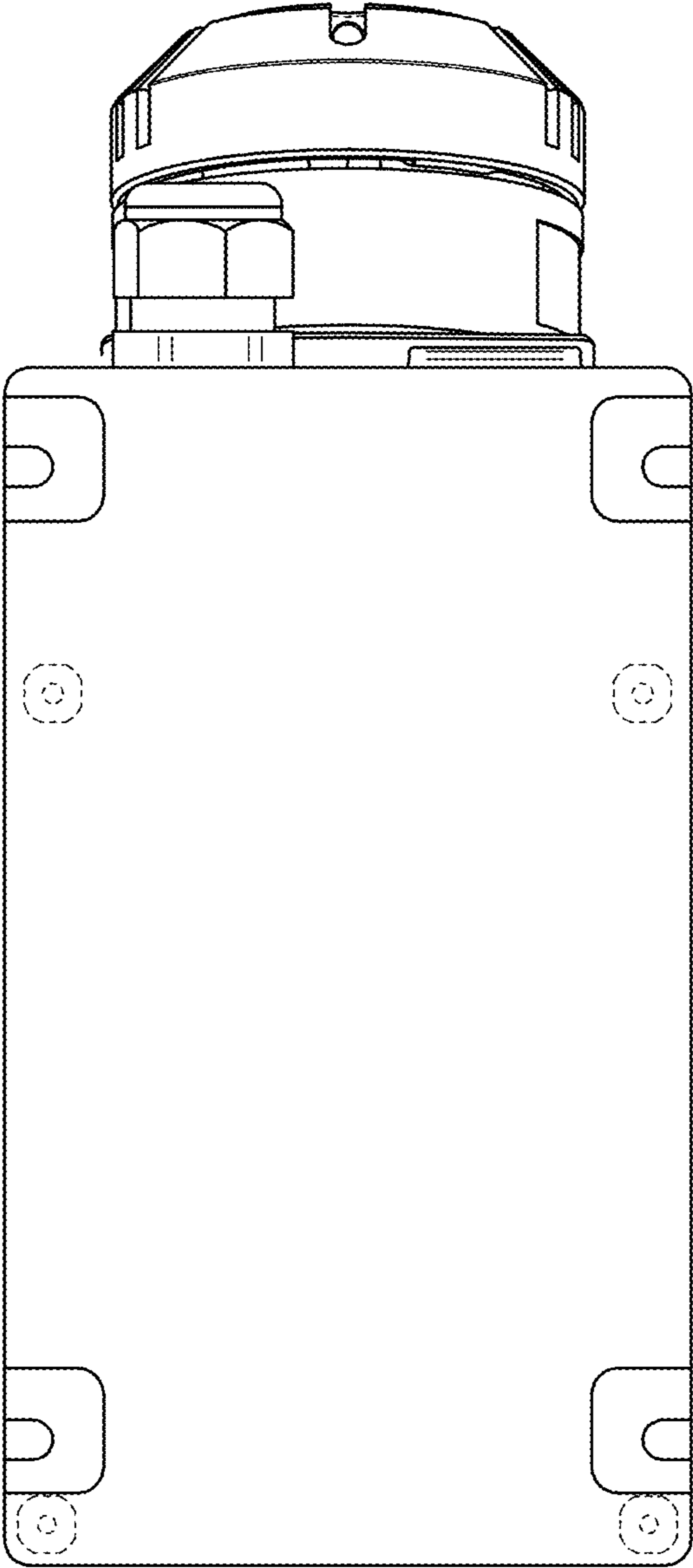


Figure 11



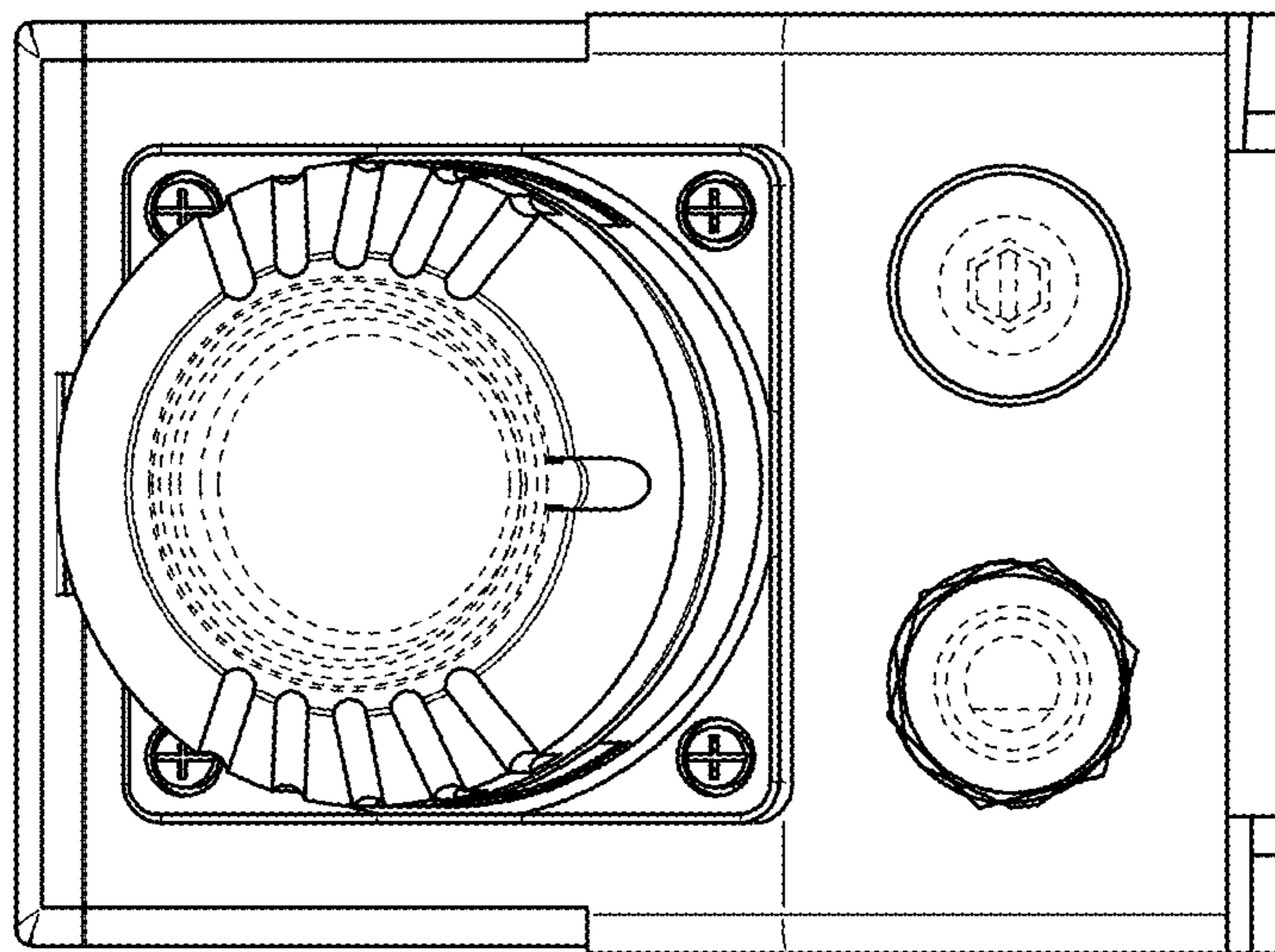


Figure 12

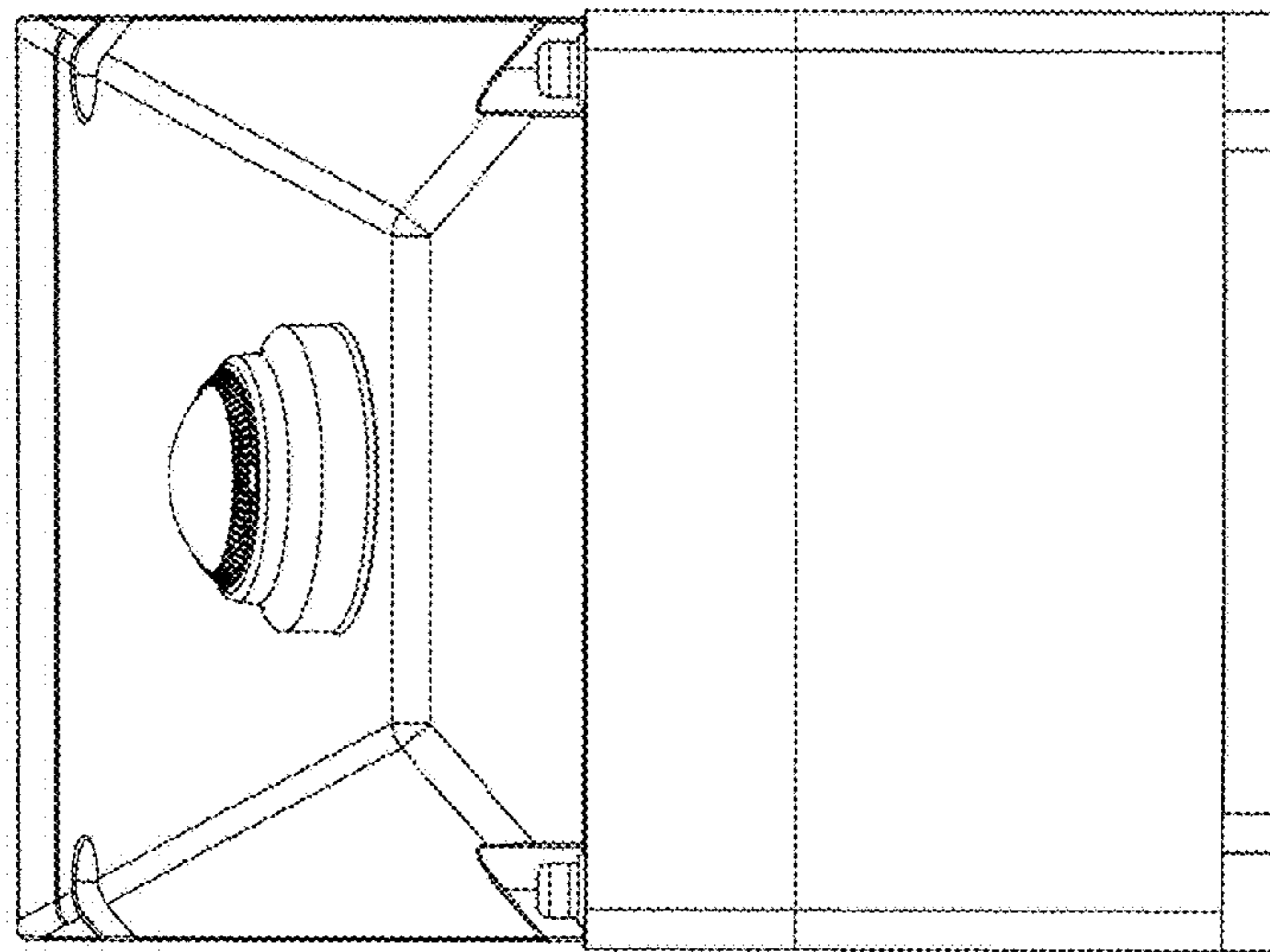


Figure 13

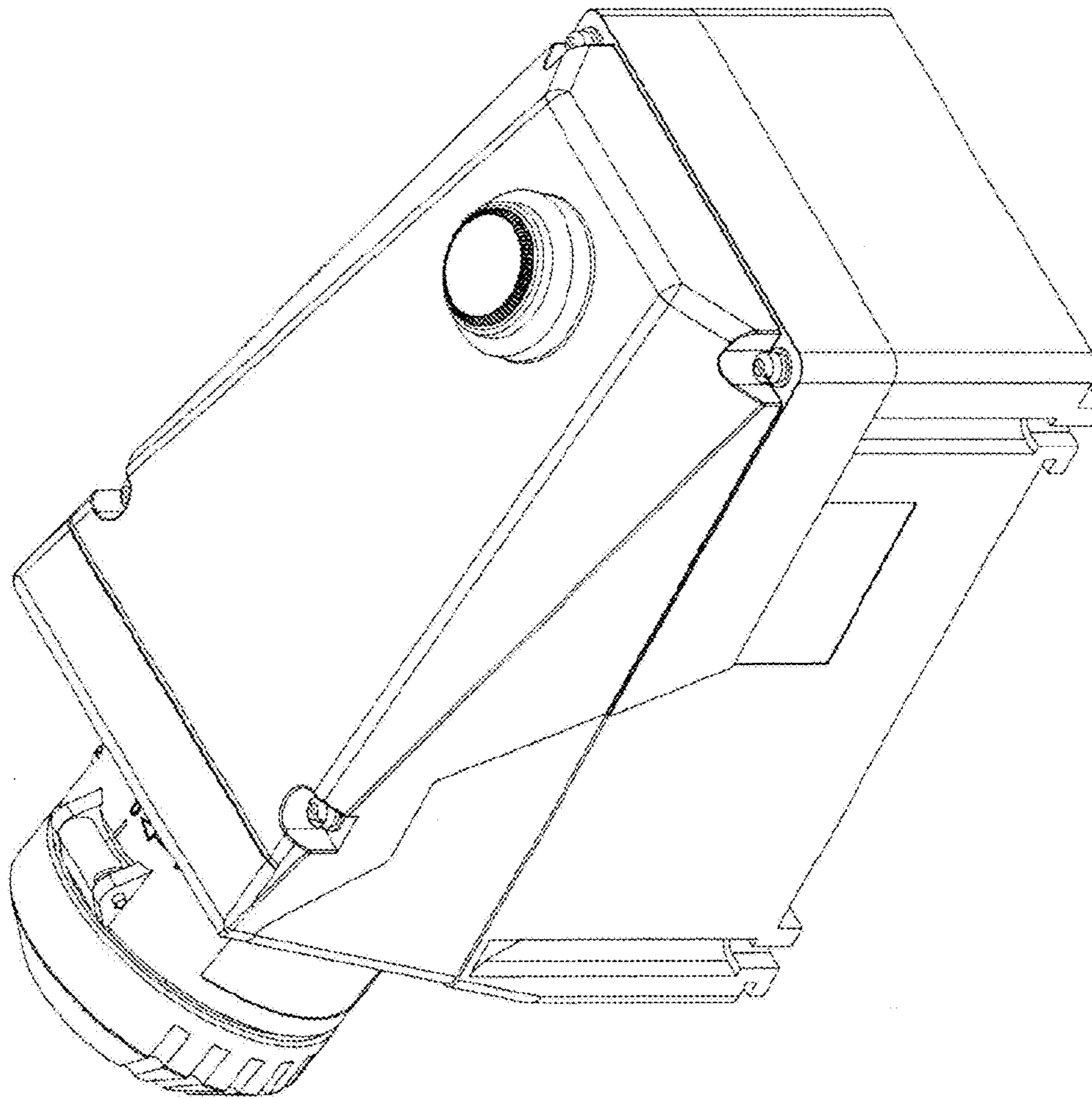


Figure 14