



US00D765598S

(12) **United States Design Patent** (10) **Patent No.:** **US D765,598 S**
Dai (45) **Date of Patent:** **** Sep. 6, 2016**

(54) **LEAD ACID BATTERY COVER LID**

(71) Applicant: **Alex Dai**, Taichung (TW)

(72) Inventor: **Alex Dai**, Taichung (TW)

(**) Term: **14 Years**

(21) Appl. No.: **29/494,243**

(22) Filed: **Jun. 18, 2014**

(30) **Foreign Application Priority Data**

Jan. 3, 2014 (TW) 103300029

(51) **LOC (10) Cl.** **13-03**

(52) **U.S. Cl.**
USPC **D13/119**

(58) **Field of Classification Search**
USPC D13/102-110, 118-119, 154, 184, 199;
D14/203.3-203.8, 217, 248, 250-253,
D14/432, 434, 440, 450, 496; D3/201, 218,
D3/269, 301, 273, 303; 361/679.56;
379/426, 433.11-433.13, 455;
455/575.1, 575.8; 320/101-102,
320/107-115, 120; 429/96-100, 149, 159,
429/163, 176, 177, 186
CPC G06K 7/008; H01Q 7/00; H01M 10/04;
H01M 10/0413; H01M 10/0436; H01M
2/0207; H01M 2/0212; H01M 2/0215;
H01M 2/021; H01M 2/1022; H01M 2/1061;
H01M 2/1066; H01M 2/04; H01M 2/0404;
H01M 2220/30; H04M 1/026; H04M 1/0262
See application file for complete search history.

(56) **References Cited**

U.S. PATENT DOCUMENTS

D385,848 S * 11/1997 Sato D13/118
D450,653 S * 11/2001 Hertel D13/119

D468,261 S * 1/2003 Peng D13/119
D543,514 S * 5/2007 Katz D13/184
D719,095 S * 12/2014 Oota D13/103
8,968,913 B2 * 3/2015 Roskamp 429/159
D748,577 S * 2/2016 Marino D13/118
2015/0288038 A1 * 10/2015 Johnson H01M 10/482
320/136

* cited by examiner

Primary Examiner — Rosemary K Tarcza

Assistant Examiner — Sanjeev Paul

(74) *Attorney, Agent, or Firm* — Muncy, Geissler, Olds & Lowe, P.C.

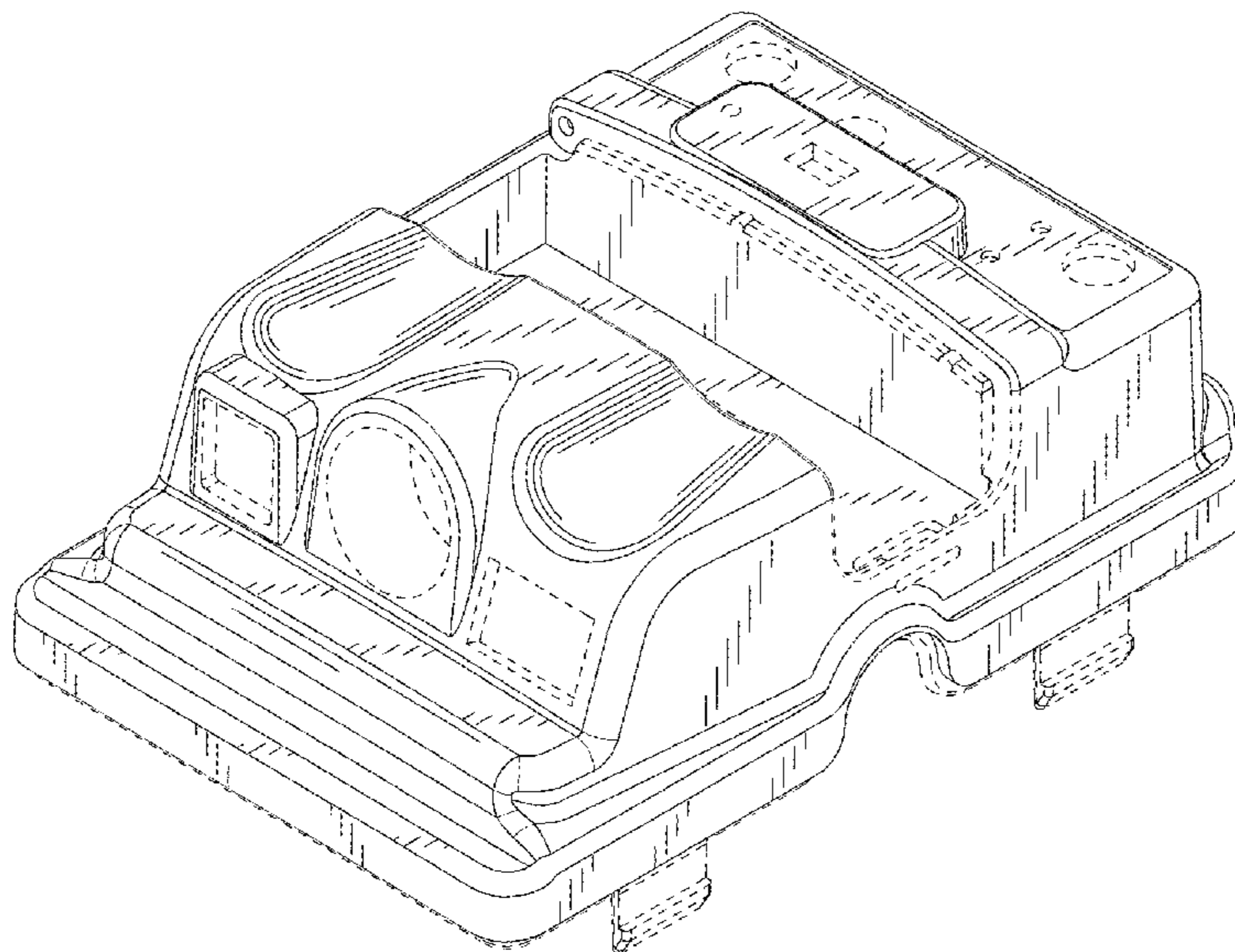
(57) **CLAIM**

I claim the ornamental design for a lead acid battery cover lid, as shown and described.

DESCRIPTION

FIG. 1 is a perspective view of a lead acid battery cover lid showing my new design;
FIG. 2 is a front elevational view thereof;
FIG. 3 is a rear elevational view thereof;
FIG. 4 is a left side view thereof;
FIG. 5 is a right side view thereof;
FIG. 6 is a top plan view thereof;
FIG. 7 is a perspective view thereof showing the lead acid battery cover lid in use;
FIG. 8 is a perspective view thereof showing the lead acid battery cover lid in use, in an alternate configuration; and,
FIG. 9 is a perspective view thereof showing the lead acid battery cover lid in use, in a second alternate configuration.
The features shown in broken lines depict environmental structure only and form no part of the claimed design.

1 Claim, 7 Drawing Sheets



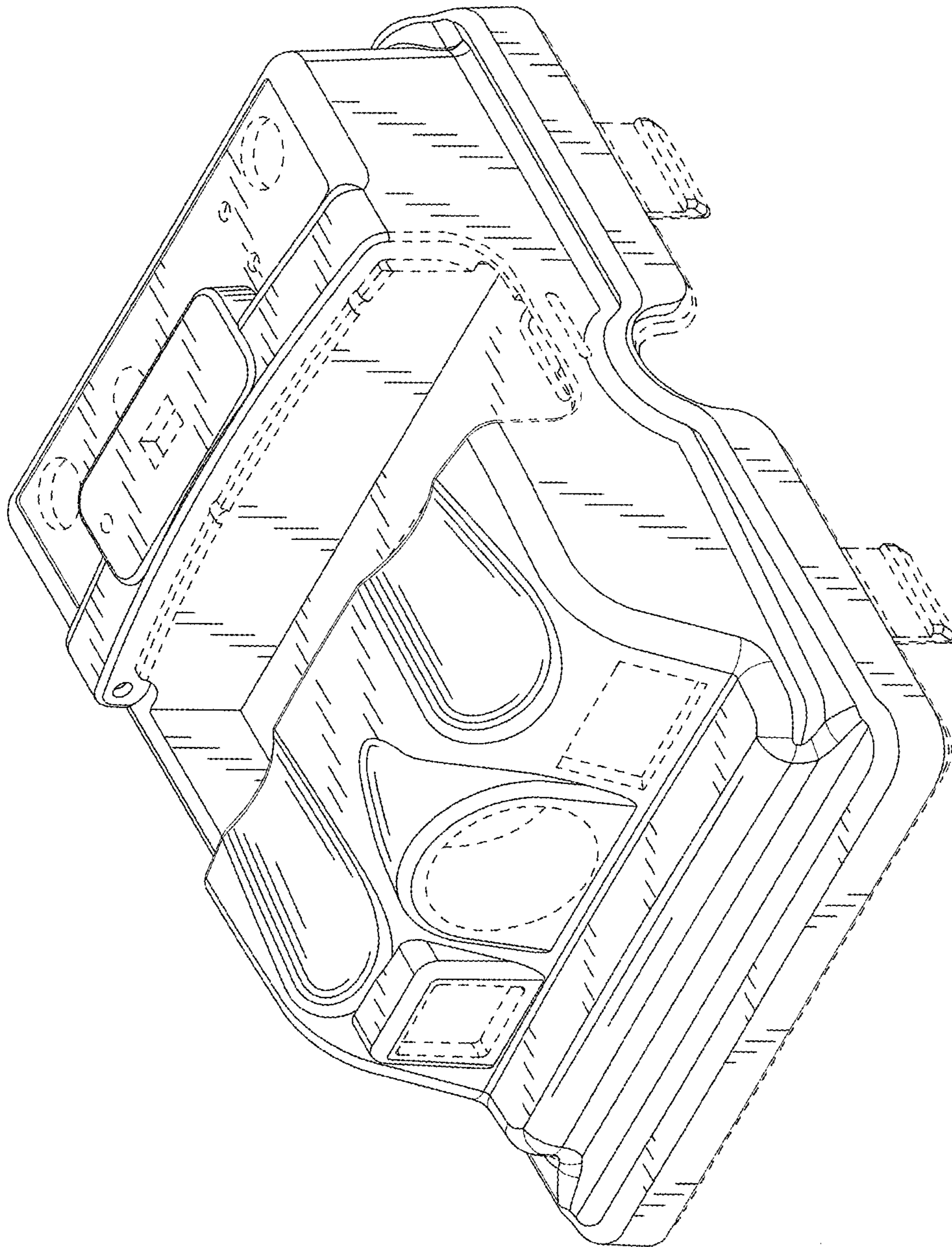


FIG. 1

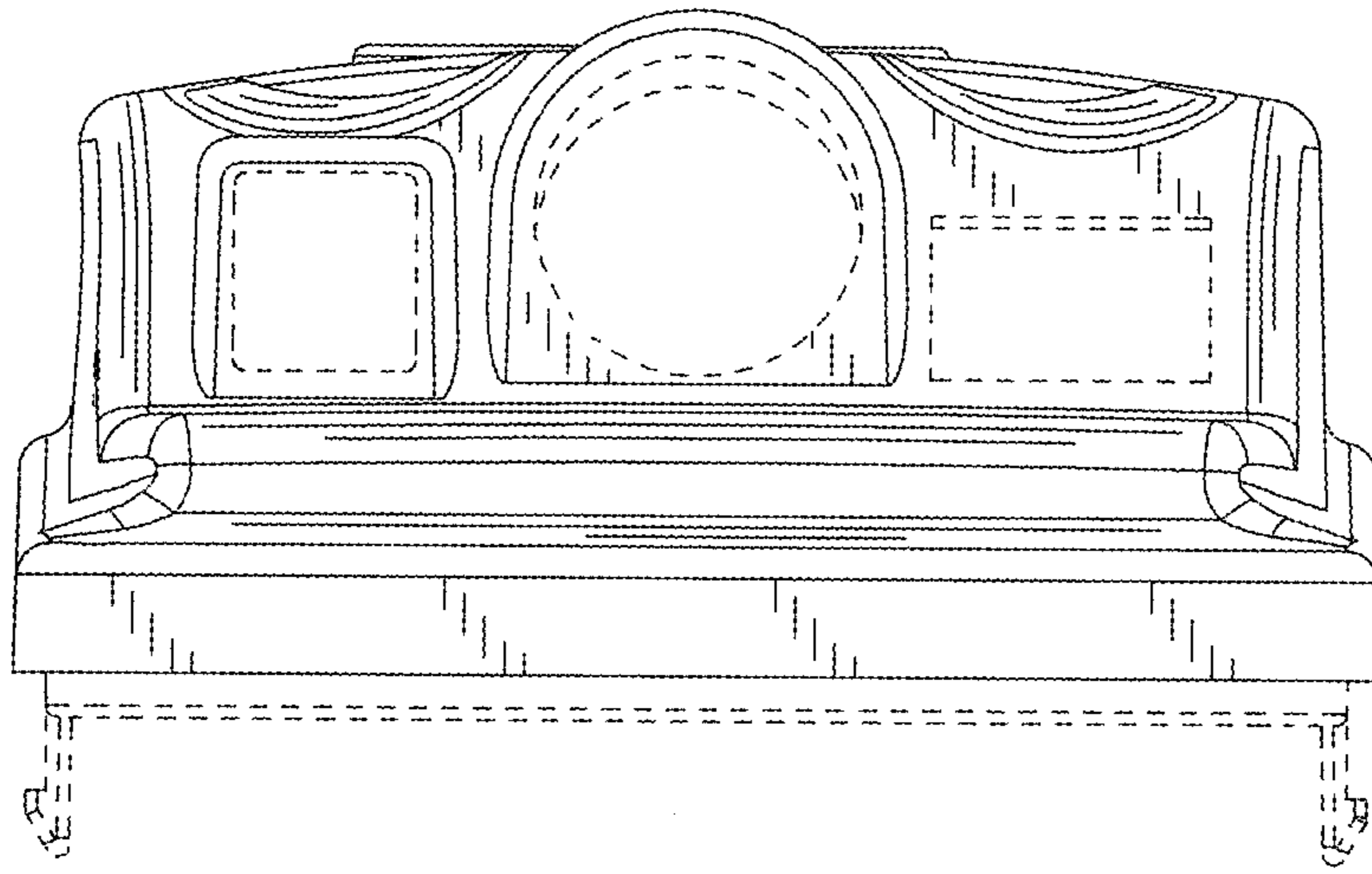


FIG. 2

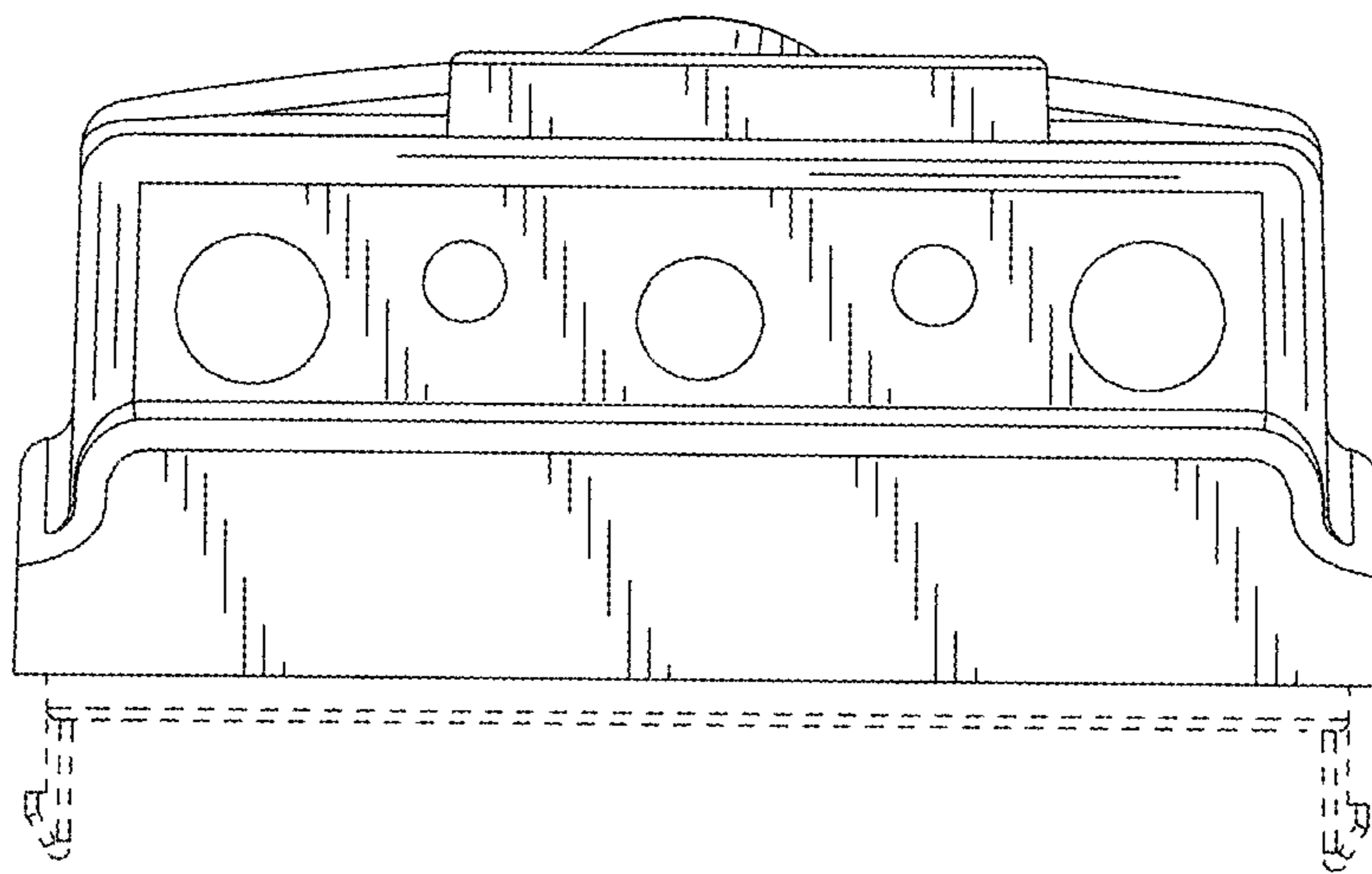


FIG. 3

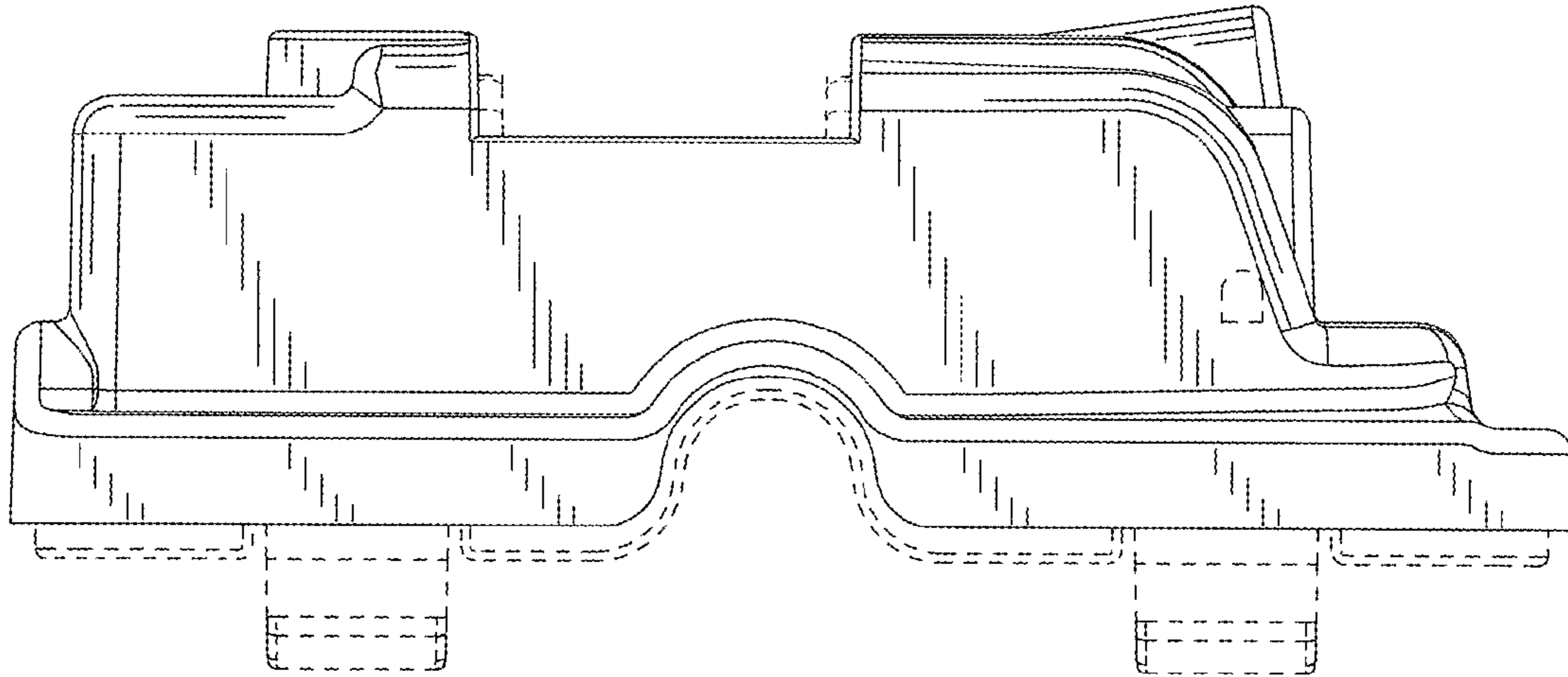


FIG. 4

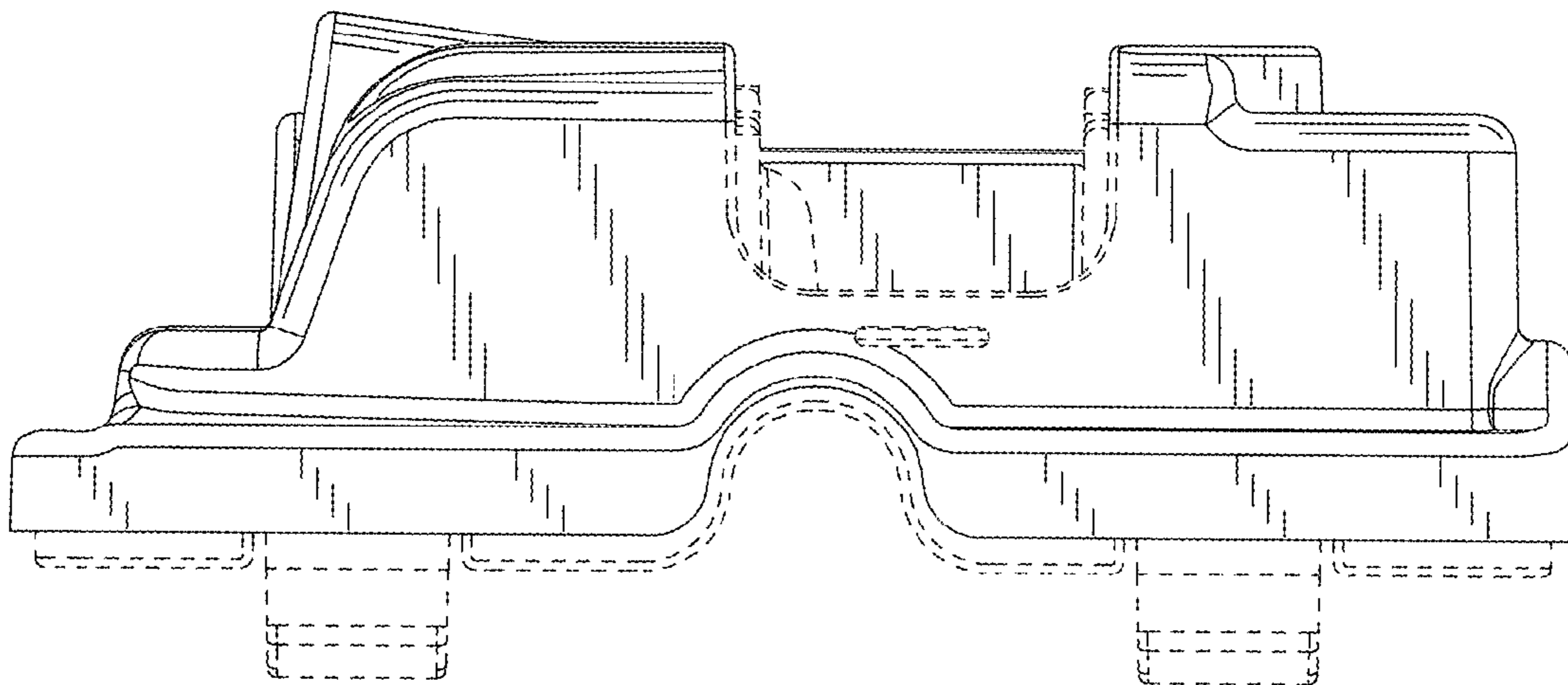


FIG. 5

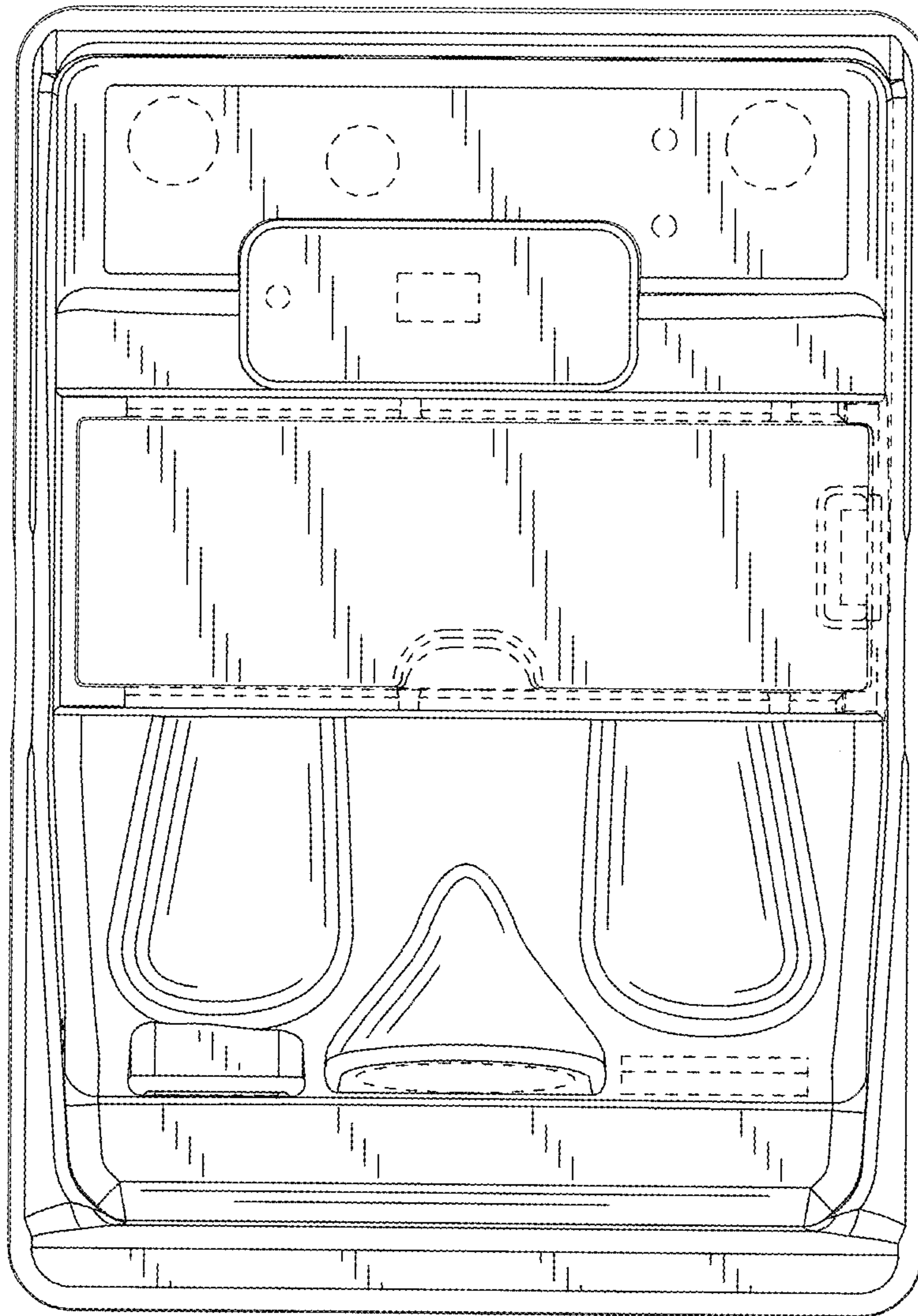


FIG. 6

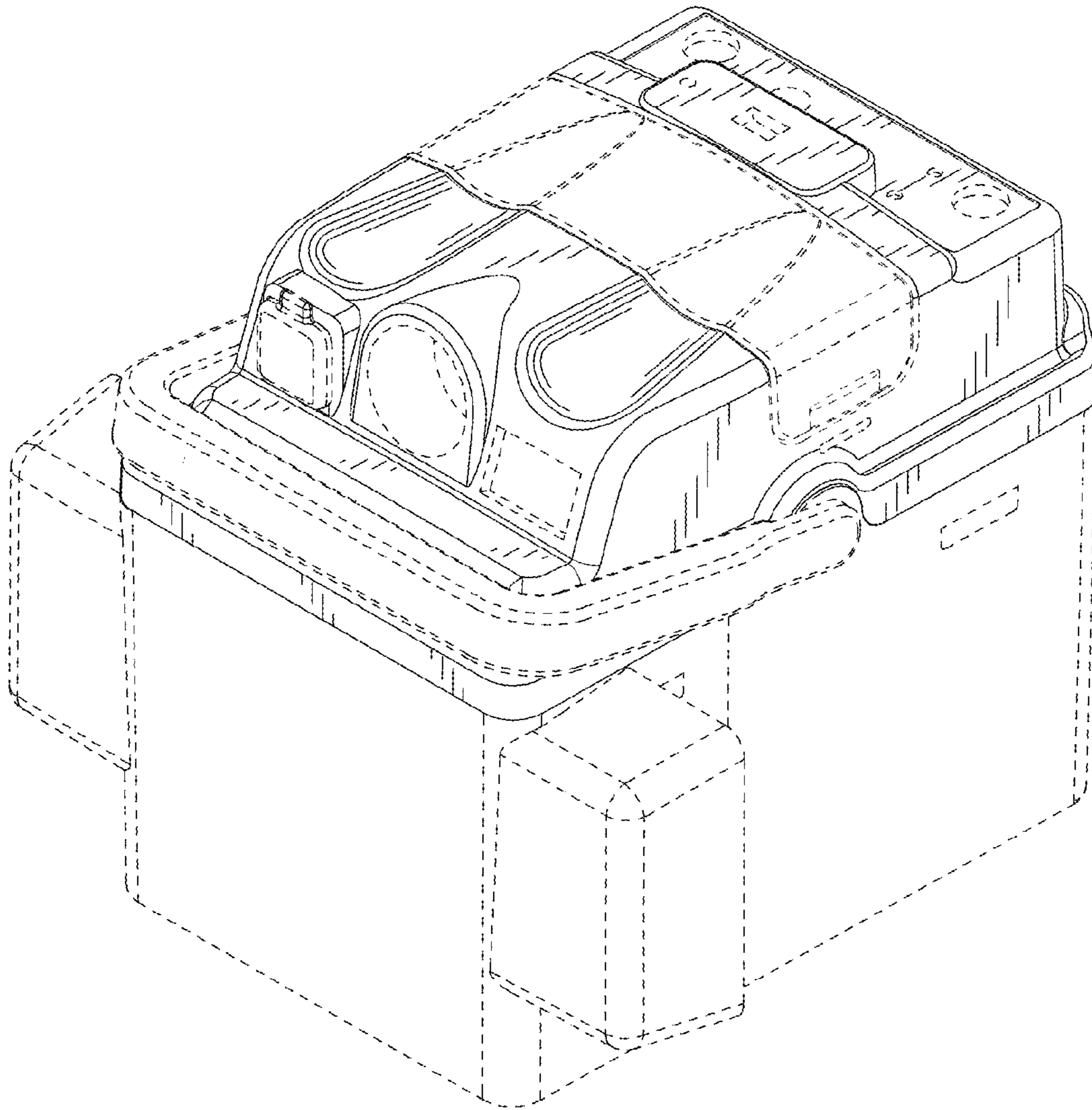


FIG. 7

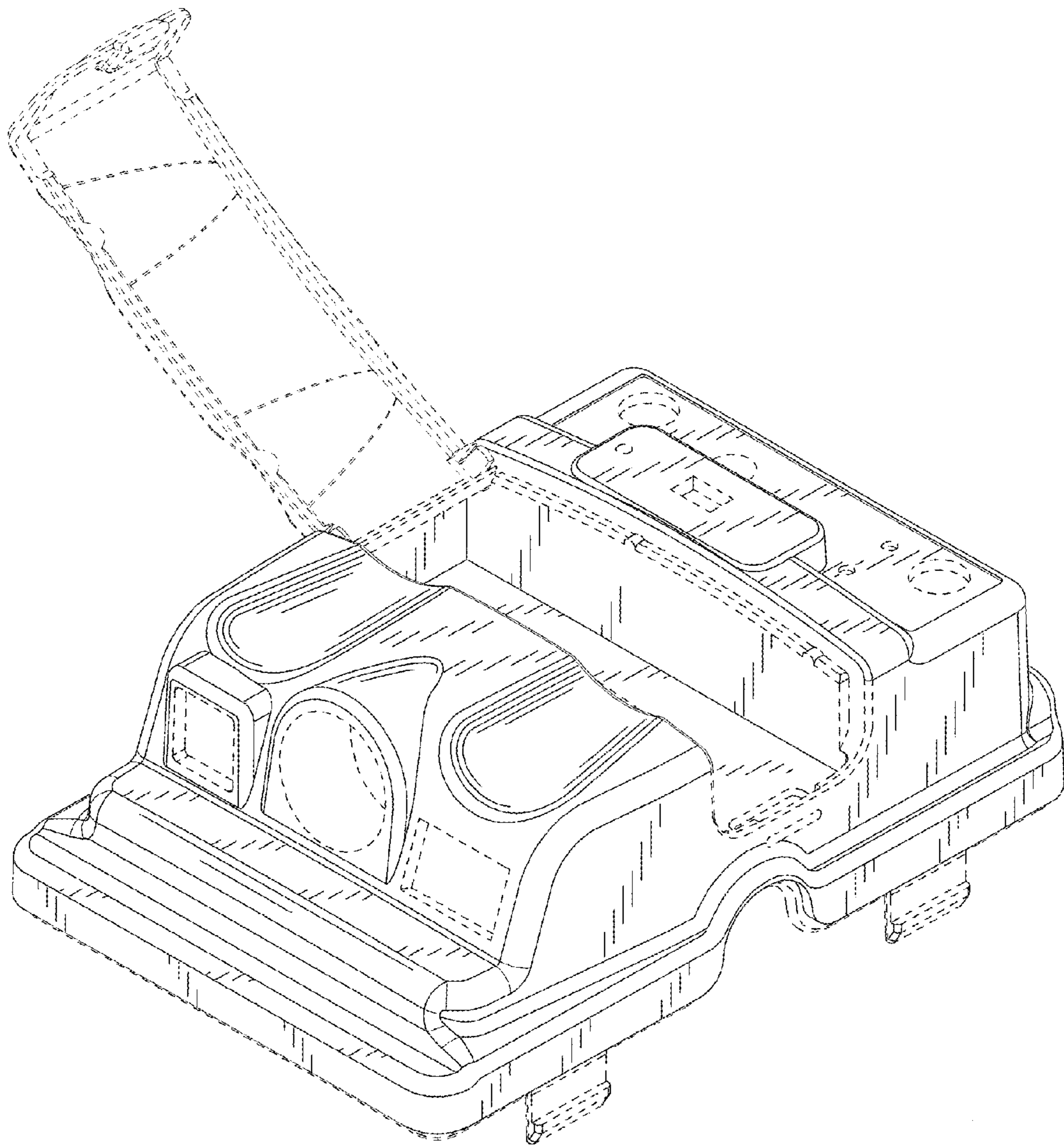


FIG. 8

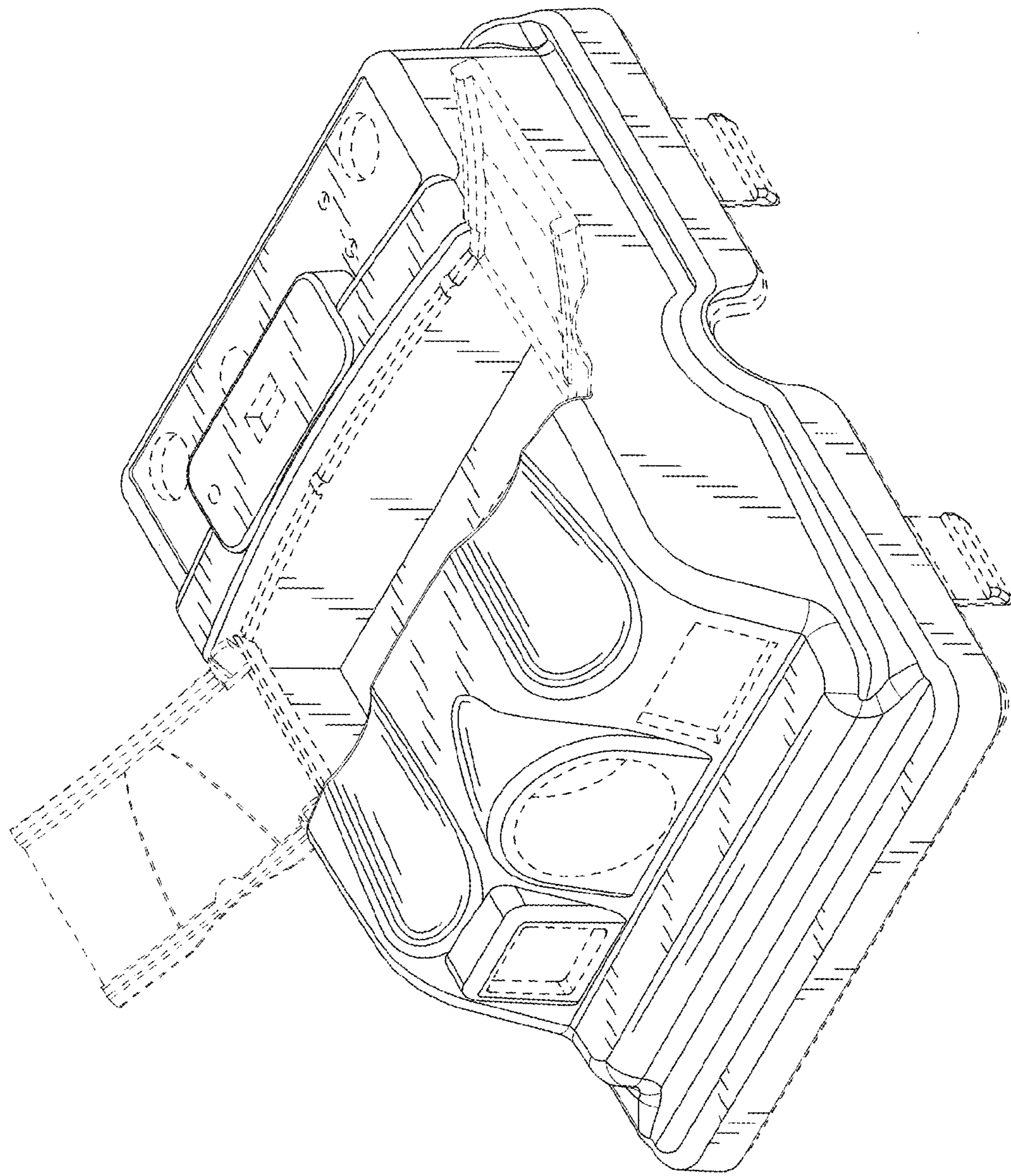


FIG. 9