

US00D765596S

(12) **United States Design Patent** (10) **Patent No.:** **US D765,596 S**
Requa (45) **Date of Patent:** **** Sep. 6, 2016**

(54) **CHARGING BLOCK AND RESERVE BATTERY**

(71) Applicant: **James Requa**, Los Angeles, CA (US)

(72) Inventor: **James Requa**, Los Angeles, CA (US)

(**) Term: **14 Years**

(21) Appl. No.: **29/524,334**

(22) Filed: **Apr. 20, 2015**

(51) **LOC (10) Cl.** **13-02**

(52) **U.S. Cl.**
USPC **D13/108; D13/103**

(58) **Field of Classification Search**
USPC D13/103, 107-110, 118-119, 184;
D14/251, 253, 432, 434
CPC Y02E 60/12; Y02T 90/14; Y02T 90/122;
Y02T 90/128; Y02T 90/163; H02J 7/025;
H02J 7/0042; H02J 7/0044; H02J 7/0045;
H02J 7/0003; H01F 38/14; H01R 13/6675;
H01M 2/1022; H01M 2/1055; H01M 10/44;
H01M 10/46; H01M 10/425; B60L 11/182
See application file for complete search history.

(56) **References Cited**

U.S. PATENT DOCUMENTS

8,049,461 B2 * 11/2011 Yu G01R 31/2844
320/107
D682,199 S * 5/2013 Rautiainen D13/108
D706,212 S * 6/2014 Zwierstra D13/107
D718,233 S * 11/2014 Aumiller D13/108
D718,236 S * 11/2014 Murray D13/108

D719,506 S * 12/2014 Jung D13/108
D729,730 S * 5/2015 Gillespie-Brown D13/110
D735,131 S * 7/2015 Akana D13/108
D737,760 S * 9/2015 Kyriakoulis D13/108
D738,303 S * 9/2015 Symons D13/108
D746,772 S * 1/2016 Aumiller D13/108
2016/0072327 A1 * 3/2016 Knutson G06F 1/1632
320/108

* cited by examiner

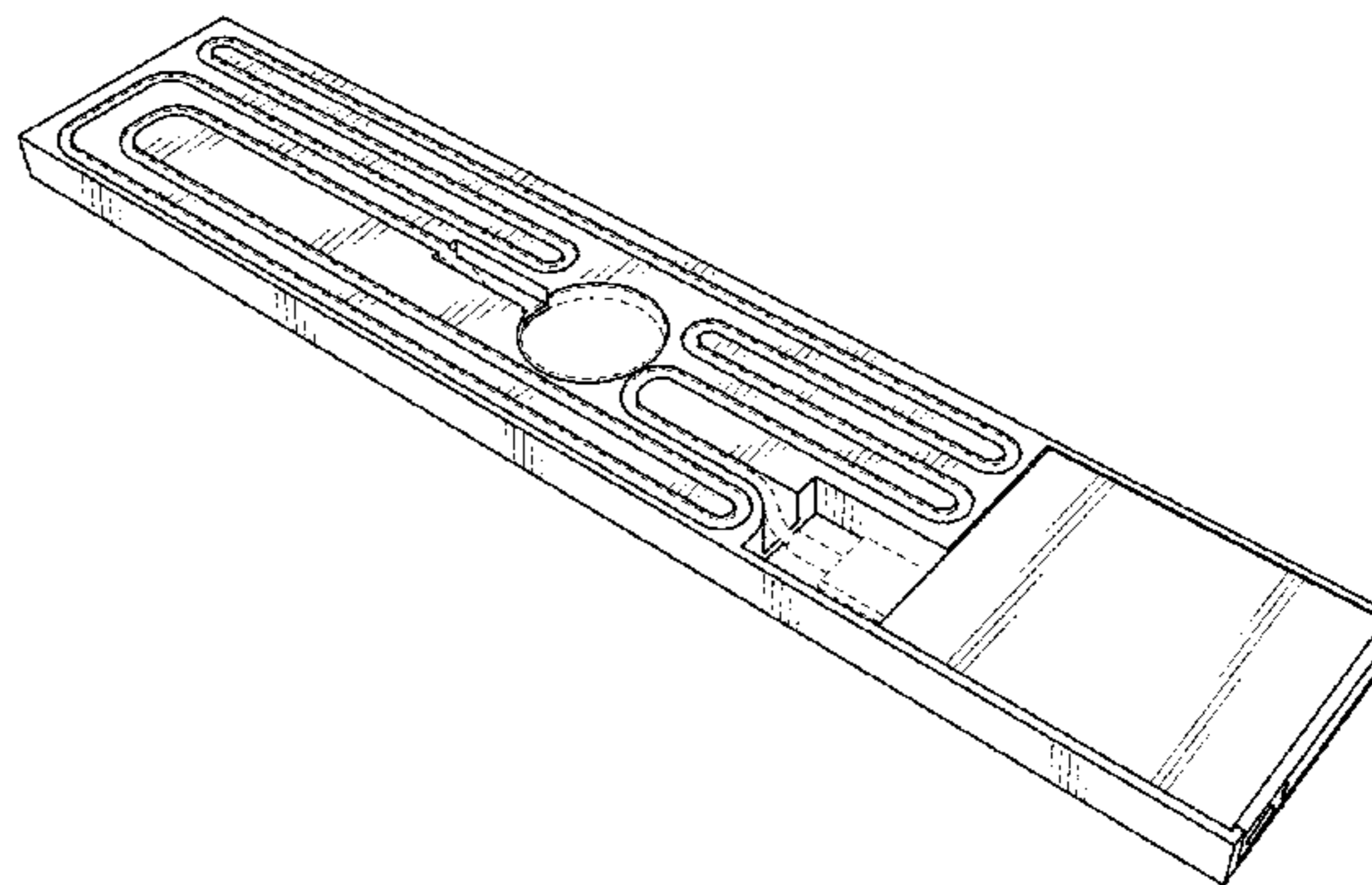
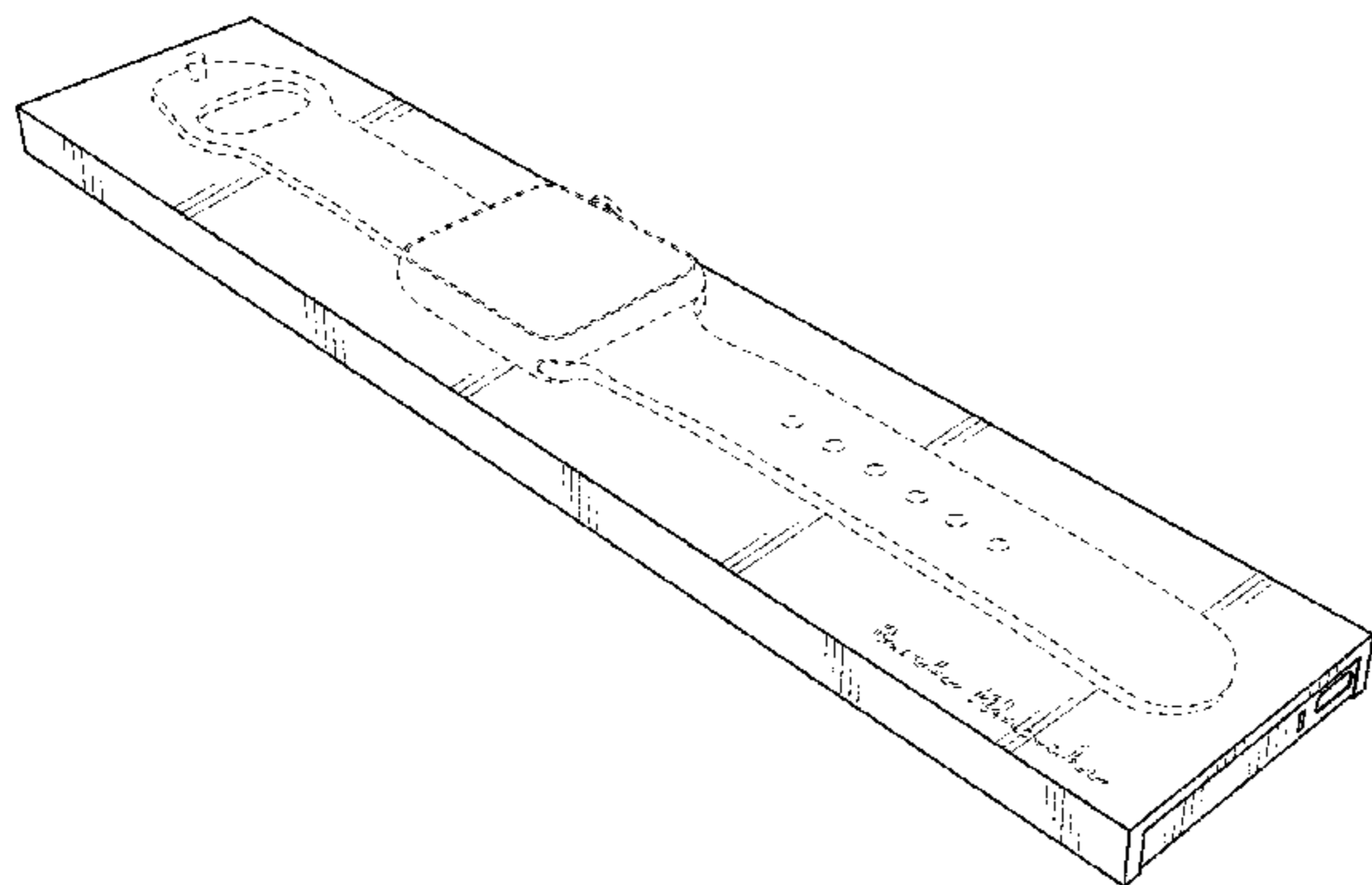
Primary Examiner — Rosemary K Tarcza
Assistant Examiner — Nathaniel D Buckner
(74) *Attorney, Agent, or Firm* — QuickPatents, LLC; Kevin Prince

(57) **CLAIM**
I claim the ornamental design for a charging block and reserve battery, as shown and described.

DESCRIPTION

FIG. 1 is a top perspective view of a charging block and reserve battery, showing my new design;
FIG. 2 is a bottom perspective view thereof;
FIG. 3 is a top plan view thereof;
FIG. 4 is a bottom plan view thereof;
FIG. 5 is a left-side elevational view thereof, the right-side elevational view being a mirror image thereof;
FIG. 6 is a rear elevational view thereof; and,
FIG. 7 is a front elevational view thereof.
The broken lines in the figures represent environmental subject matter which forms no part of the claimed design.

1 Claim, 3 Drawing Sheets



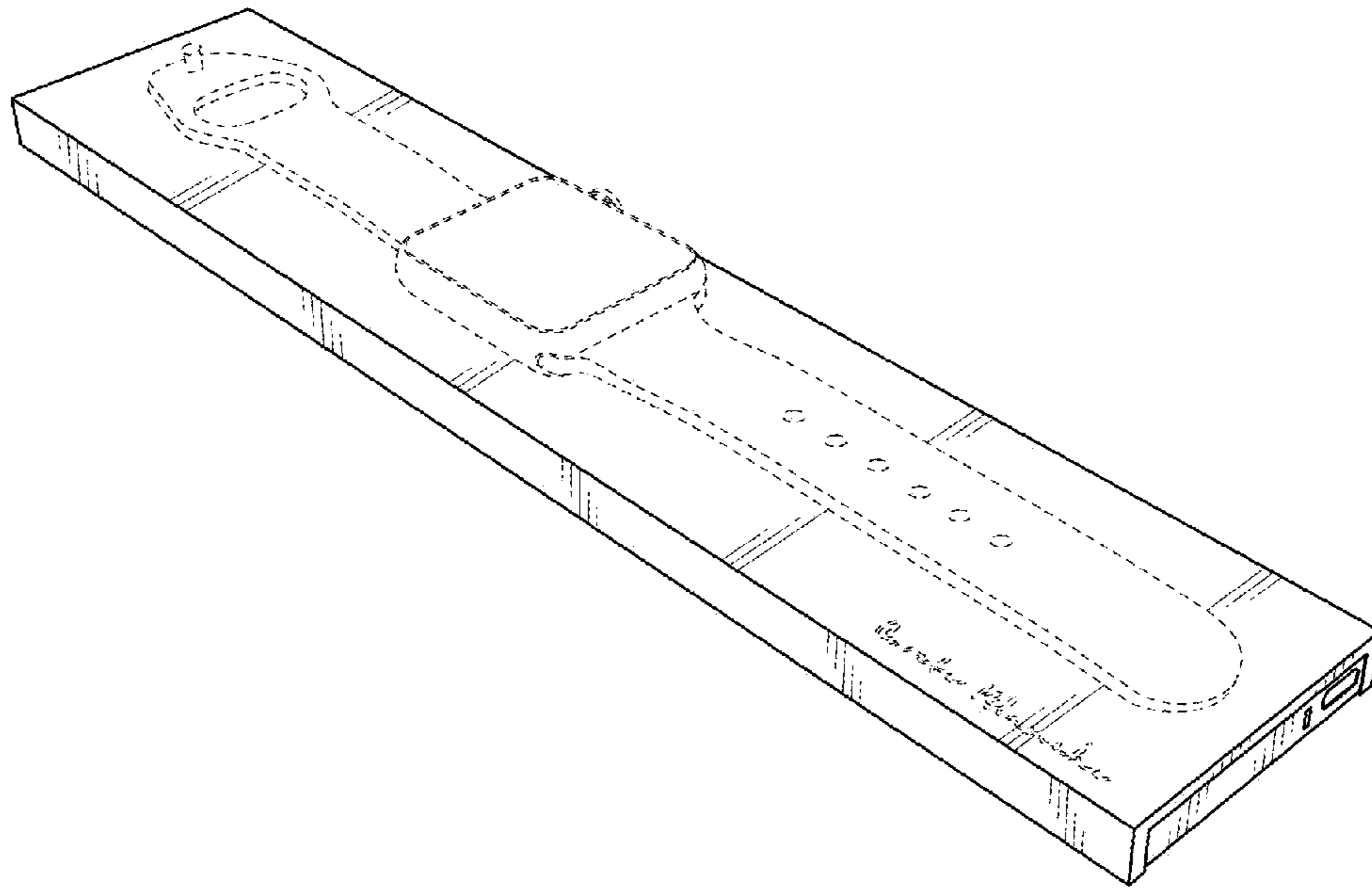


FIG. 1

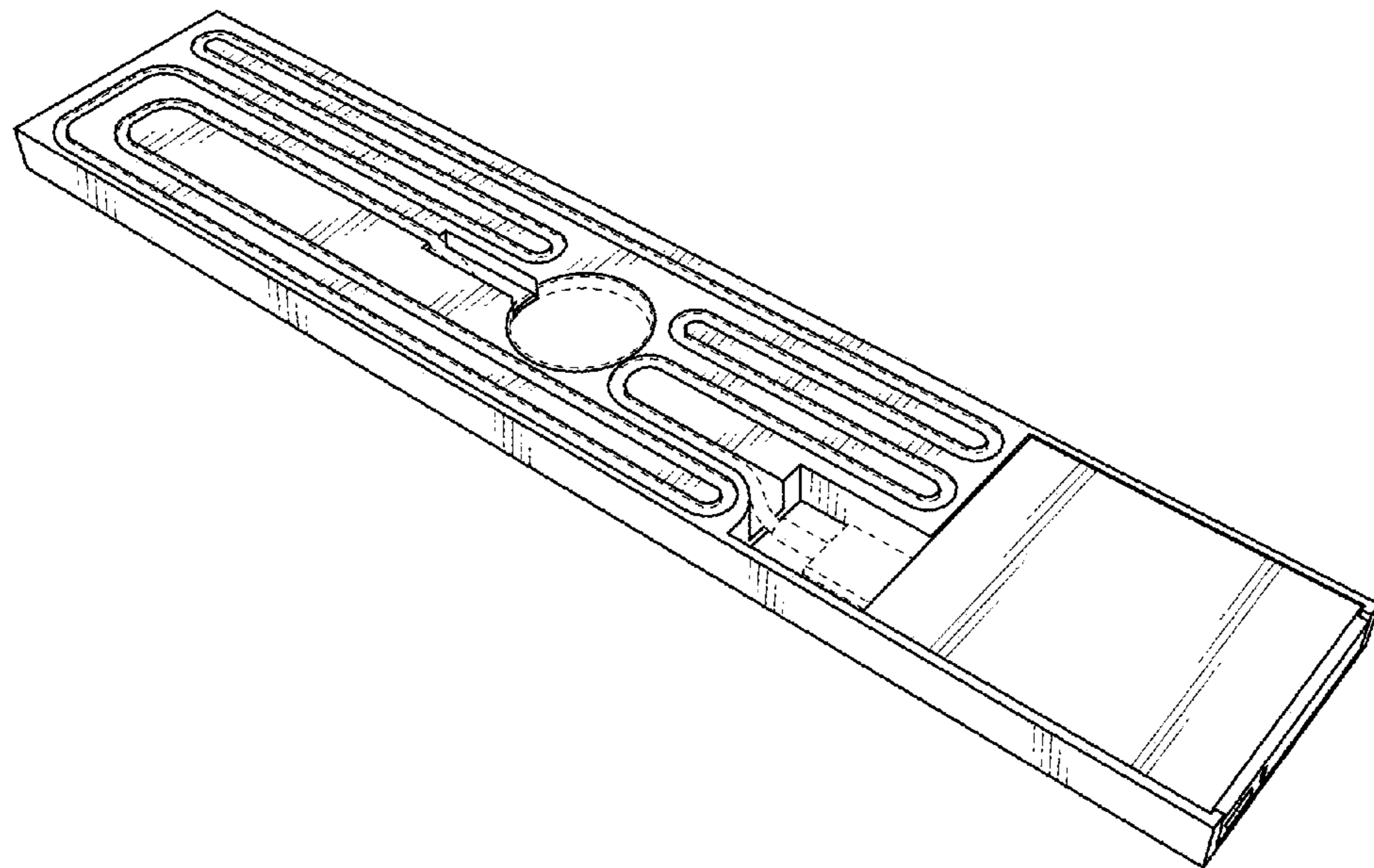


FIG. 2

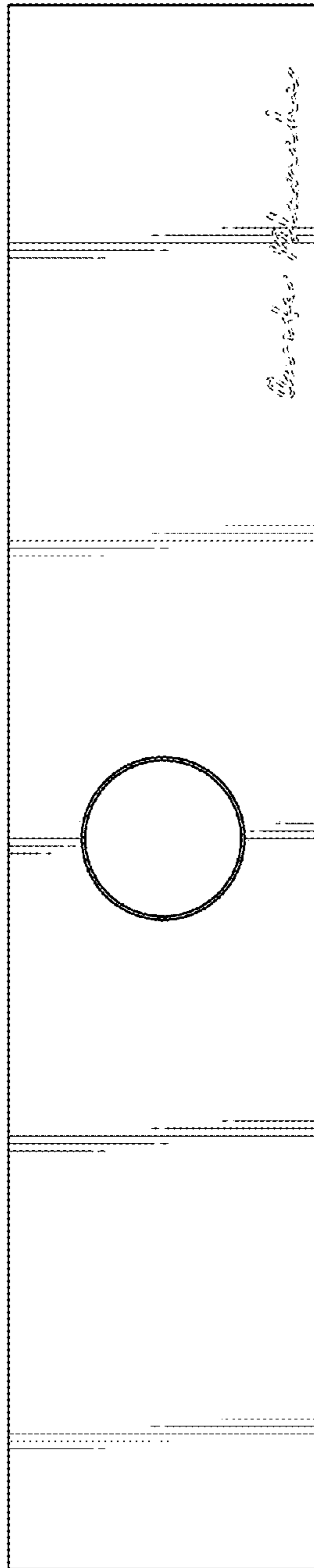


FIG. 3

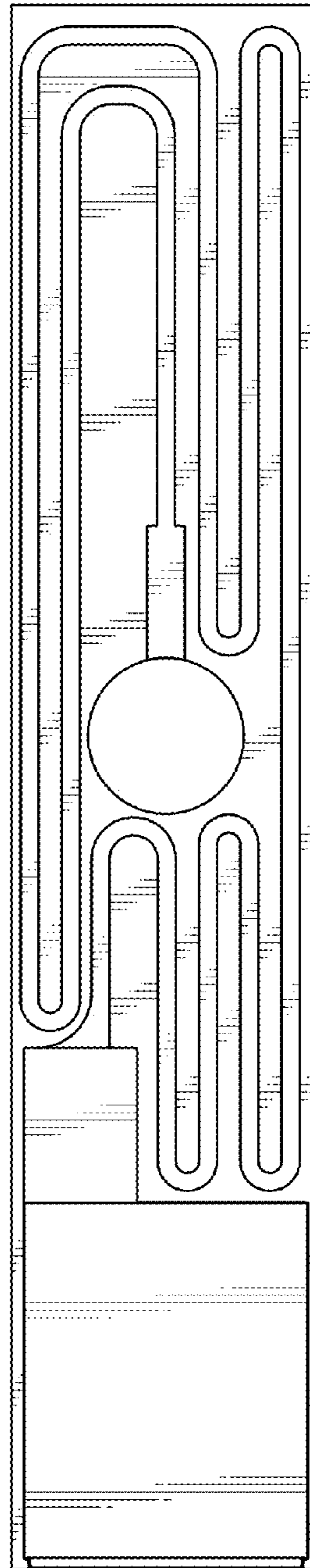


FIG. 4

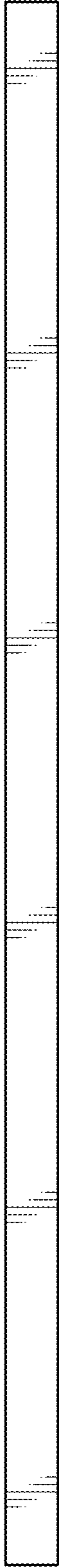


FIG. 5

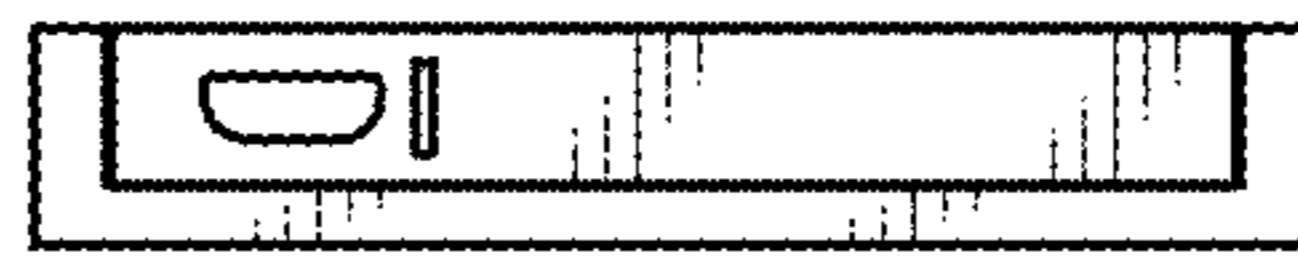


FIG. 6

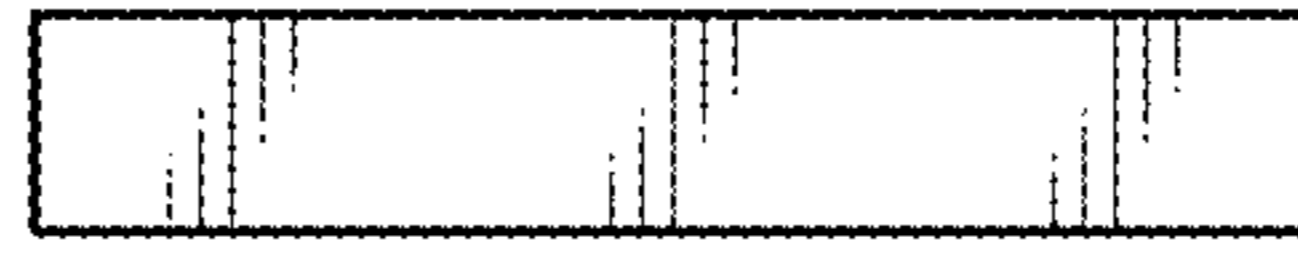


FIG. 7