



US00D765595S

(12) **United States Design Patent**
Shaanan et al.

(10) **Patent No.:** **US D765,595 S**

(45) **Date of Patent:** **** Sep. 6, 2016**

(54) **CHARGING APPARATUS**

(71) Applicant: **QUALCOMM Incorporated**, San Diego, CA (US)

(72) Inventors: **Gad Shaanan**, San Diego, CA (US); **Inhoe Kim**, San Diego, CA (US); **Paul E. Jacobs**, La Jolla, CA (US); **Marc D. Goldman**, San Diego, CA (US); **Aleksandr Manulis**, San Diego, CA (US)

(73) Assignee: **QUALCOMM Incorporated**, San Diego, CA (US)

(**) Term: **14 Years**

(21) Appl. No.: **29/455,900**

(22) Filed: **May 24, 2013**

(51) **LOC (10) Cl.** **13-02**

(52) **U.S. Cl.**
USPC **D13/107**

(58) **Field of Classification Search**

USPC D13/107–110, 118–119, 182, 199;
D14/251, 253, 432, 434; 320/107–115;
D9/737, 741, 756, 758–760
CPC Y02E 60/12; Y02T 90/14; Y02T 90/122;
Y02T 90/128; Y02T 90/163; H02J 7/025;
H02J 7/0042; H02J 7/0044; H02J 7/0045;
H02J 7/0003; H01F 38/14; H01R 13/6675;
H01M 2/1022; H01M 2/1055; H01M 10/44;
H01M 10/46; H01M 10/425; B60L 11/182
See application file for complete search history.

(56) **References Cited**

U.S. PATENT DOCUMENTS

D263,681 S * 4/1982 Parr D9/760
D297,914 S * 10/1988 Goodman D9/737
D321,074 S * 10/1991 Eby D3/313

D361,508 S * 8/1995 Schnack D9/759
D380,961 S * 7/1997 Schnack D9/759
D446,854 S * 8/2001 Cheney et al. D24/111
D476,659 S * 7/2003 Ying et al. D14/434
D492,195 S * 6/2004 Shabaz D9/737
D494,857 S * 8/2004 Chen et al. D9/759
D560,492 S * 1/2008 Markowicz et al. D9/721
D579,769 S * 11/2008 Lipinski et al. D9/759
D629,355 S * 12/2010 Bodley et al. D13/108
D647,907 S * 11/2011 Perry et al. D14/434
D680,118 S * 4/2013 Schmelling D14/434
D685,654 S * 7/2013 Akana et al. D9/737
D687,037 S * 7/2013 Zhou et al. D14/434
D692,824 S * 11/2013 Fiaschetti D13/108
D718,235 S * 11/2014 Uzuyama D13/108

* cited by examiner

Primary Examiner — Rosemary K Tarcza

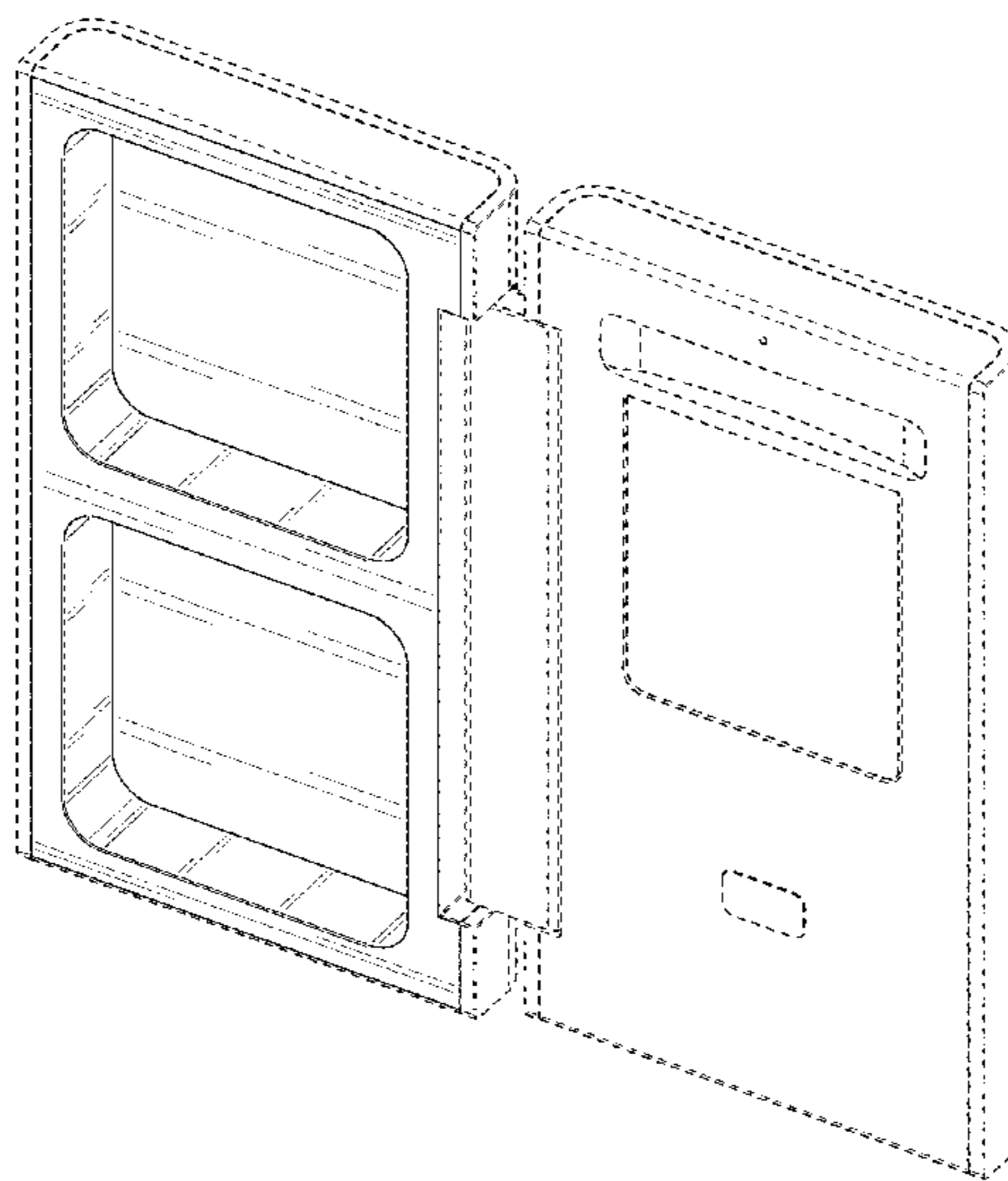
(57) **CLAIM**

The ornamental design for a charging apparatus, as shown and described.

DESCRIPTION

FIG. 1 is a front/right side perspective view of the charging apparatus in an open collapsed configuration.
FIG. 2 is a rear view of the charging apparatus in the open collapsed configuration.
FIG. 3 is a front view of the charging apparatus in the open collapsed configuration.
FIG. 4 is a left side view of the charging apparatus in the open collapsed configuration.
FIG. 5 is a right side view of the charging apparatus in the open collapsed configuration.
FIG. 6 is a top view of the charging apparatus in the open collapsed configuration; and,
FIG. 7 is a bottom view of the charging apparatus in the open collapsed configuration.
The broken lines merely represent portions of the charging apparatus that form no part of the claim.

1 Claim, 5 Drawing Sheets



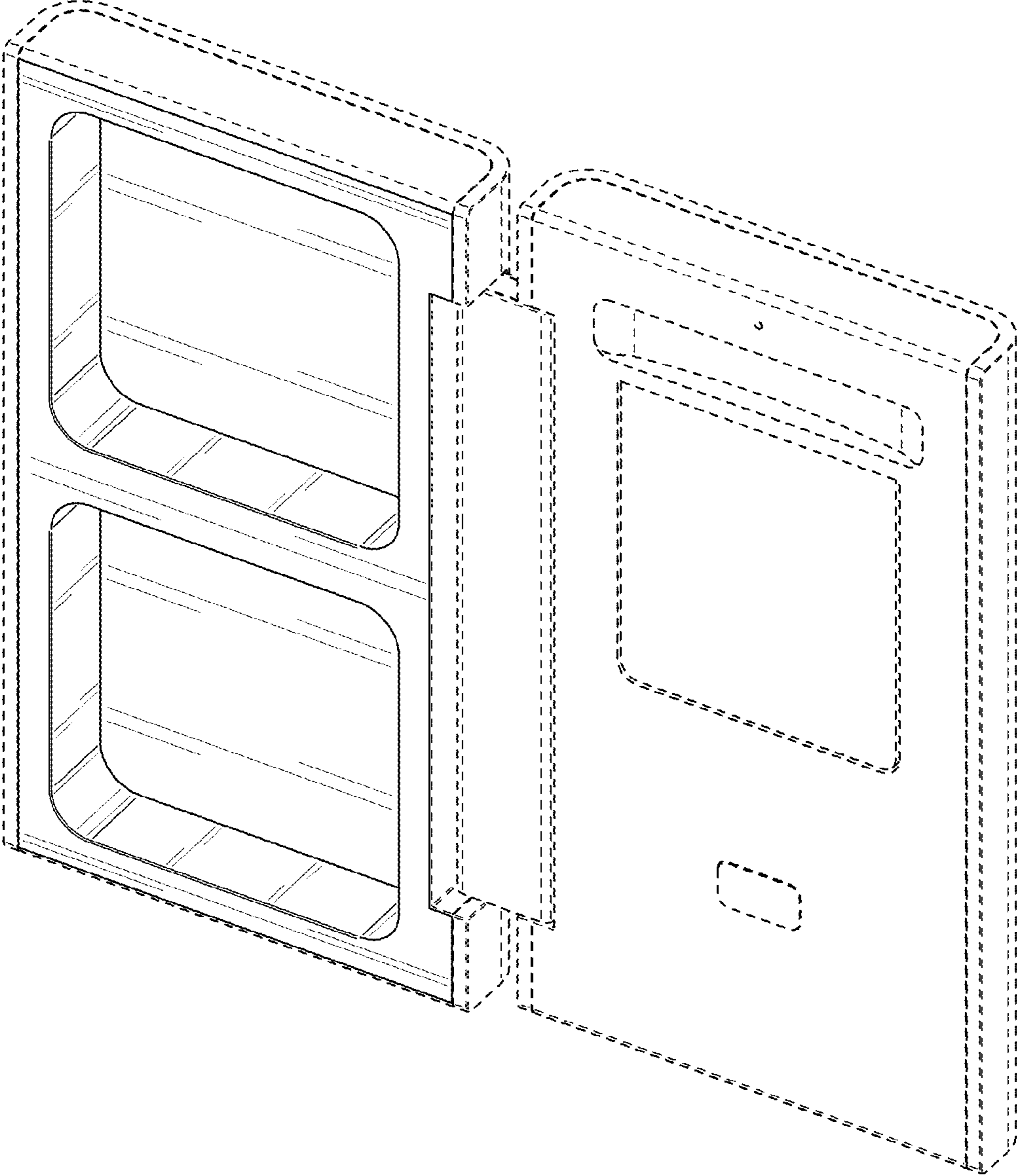


FIG. 1

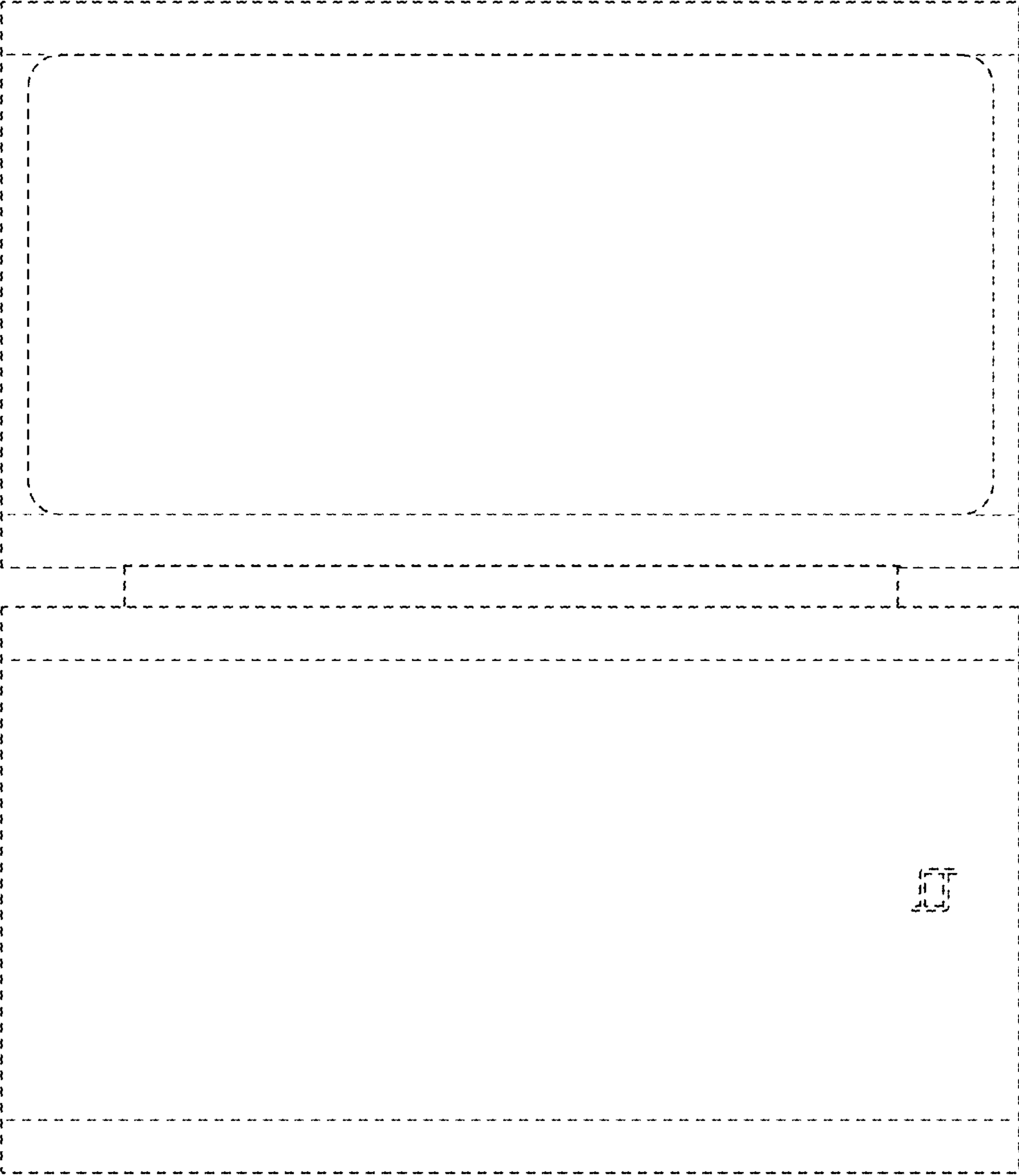


FIG. 2

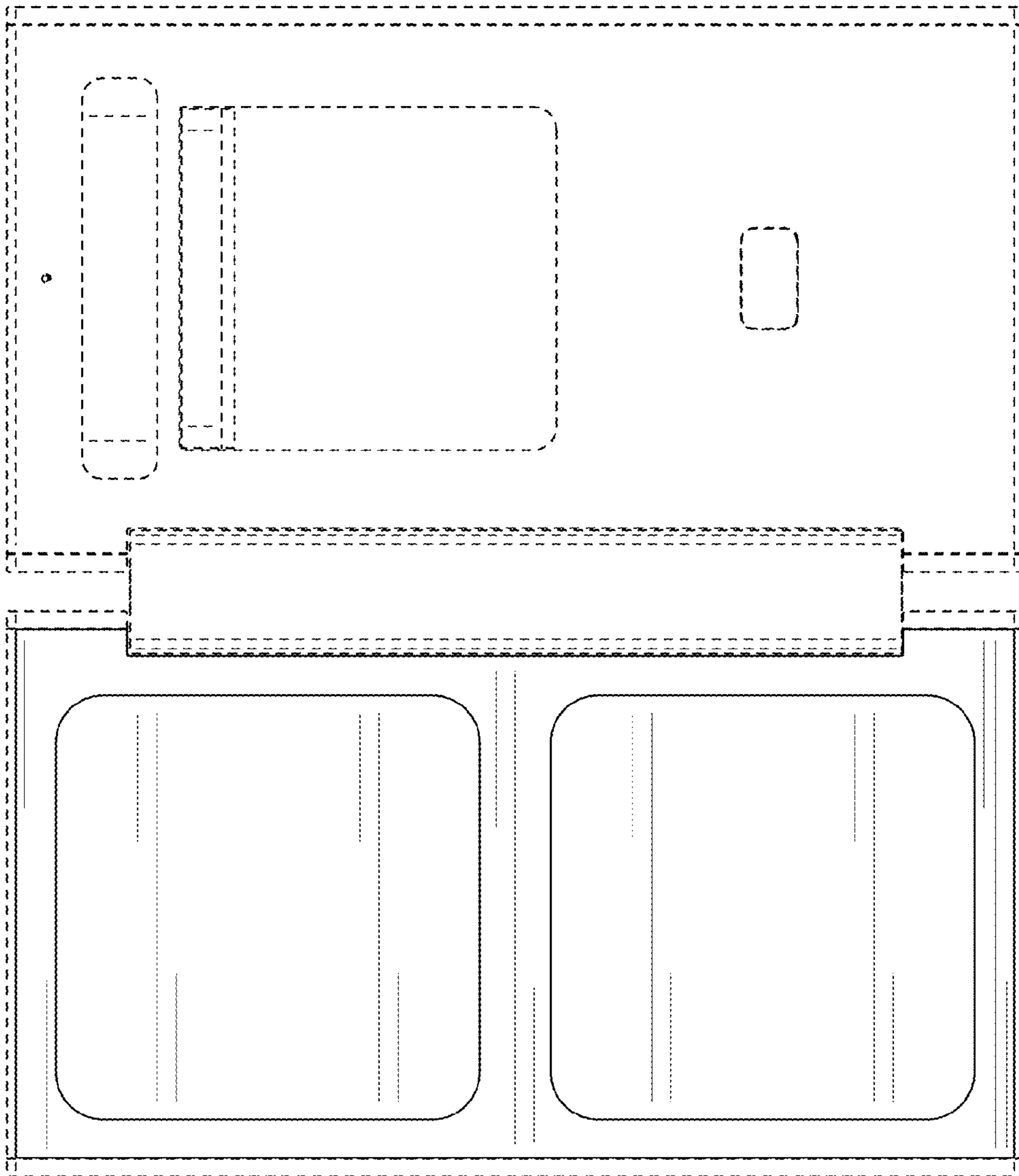


FIG. 3

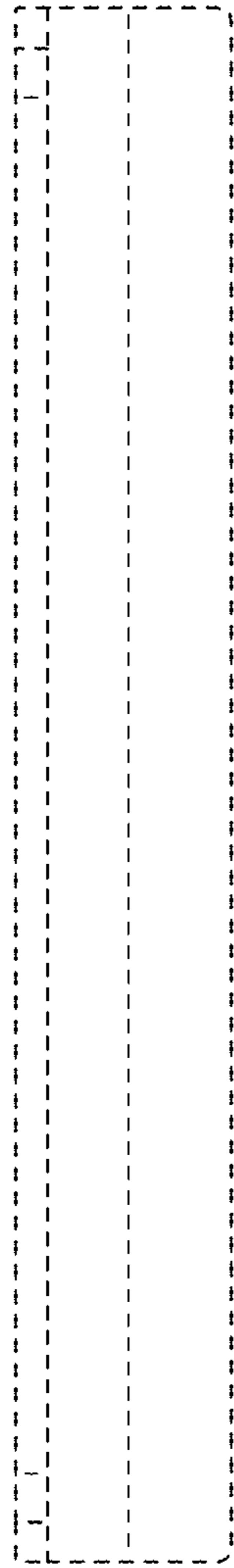


FIG. 4

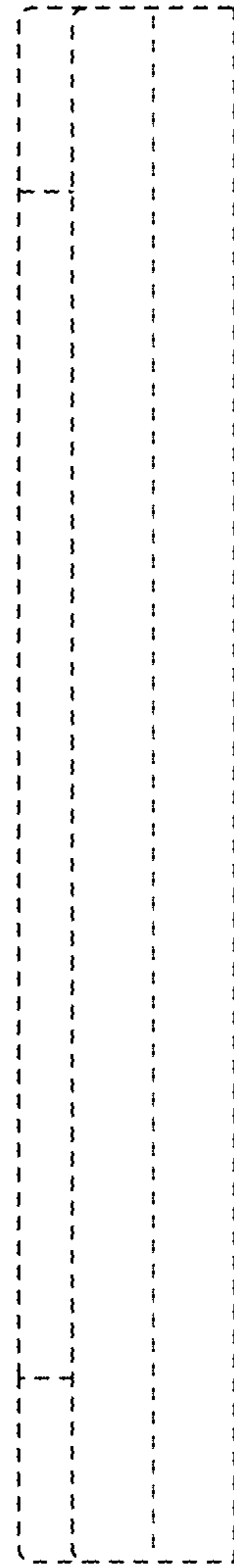


FIG. 5

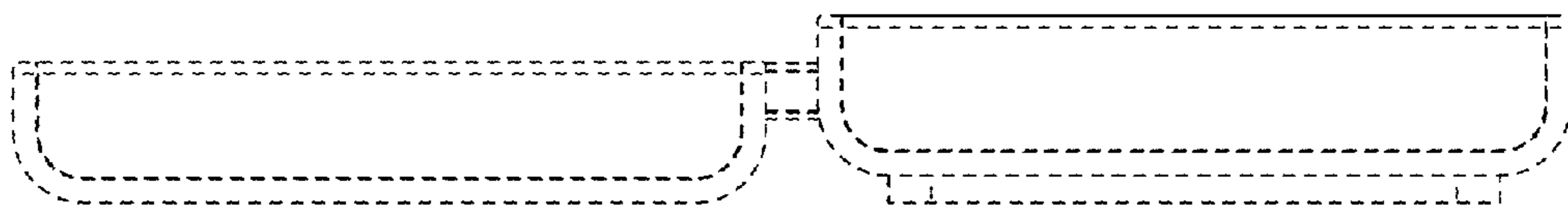


FIG. 6

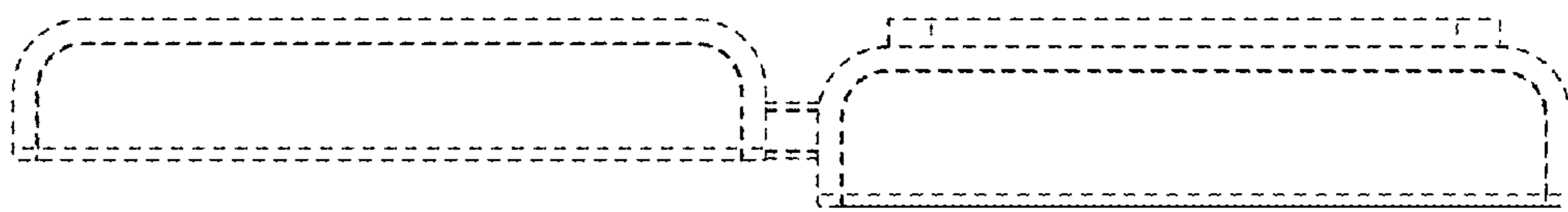


FIG. 7