



US00D765593S

(12) **United States Design Patent** (10) **Patent No.:** **US D765,593 S**  
**Hoshikawa** (45) **Date of Patent:** **\*\* Sep. 6, 2016**

(54) **MOBILE BATTERY**  
(71) Applicant: **Trinity, Inc.**, Niiza-shi, Saitama-ken (JP)  
(72) Inventor: **Tetsushi Hoshikawa**, Niiza (JP)  
(73) Assignee: **TRINITY, INC.**, Niiza-shi (JP)  
(\*\*) Term: **14 Years**  
(21) Appl. No.: **29/524,915**  
(22) Filed: **Apr. 24, 2015**

(30) **Foreign Application Priority Data**

Oct. 24, 2014 (JP) ..... 2014-023863

(51) **LOC (10) Cl.** ..... **13-02**

(52) **U.S. Cl.**  
USPC ..... **D13/103; D13/108**

(58) **Field of Classification Search**  
USPC ..... D13/102-106, 108, 110, 118-119, 184;  
429/96, 100, 163; D14/356, 432;  
320/103, 111-115

CPC ... Y02E 60/12; Y02E 60/122; Y02E 60/124;  
H01M 2/02; H01M 2/0202; H01M 2/0207;  
H01M 2/1061; H01M 10/0436  
See application file for complete search history.

(56) **References Cited**

**U.S. PATENT DOCUMENTS**

D628,572 S \* 12/2010 Wang ..... D14/356  
D639,731 S \* 6/2011 Sun ..... D13/103  
D662,050 S \* 6/2012 Tien ..... D13/108  
D686,150 S \* 7/2013 Lee ..... D13/103  
D719,087 S \* 12/2014 Bataillou ..... D13/103  
D720,687 S \* 1/2015 Hasbrook ..... D13/103  
D728,467 S \* 5/2015 Hasbrook ..... D13/103  
2008/0108395 A1 \* 5/2008 Lee ..... H04M 1/0262  
455/572

2016/0043357 A1\* 2/2016 Aida ..... H01M 2/026  
429/7  
2016/0043362 A1\* 2/2016 Seino ..... B32B 15/08  
429/176  
2016/0104874 A1\* 4/2016 Arena ..... H01M 2/1016  
429/177

**OTHER PUBLICATIONS**

Biccamera.com: Iphone/Ipod-adaptive USB mobile battery, Yellow. Retrieved from the internet at <www.biccamera.com.e.lj.hp.transfer.com/bc/disp/CSfGoodsPage\_001.jsp?GOODS\_NO=3157072>.\*

\* cited by examiner

*Primary Examiner* — Rosemary K Tarcza  
*Assistant Examiner* — James Thorn, Sr.

(74) *Attorney, Agent, or Firm* — Fitzpatrick, Cella, Harper & Scinto

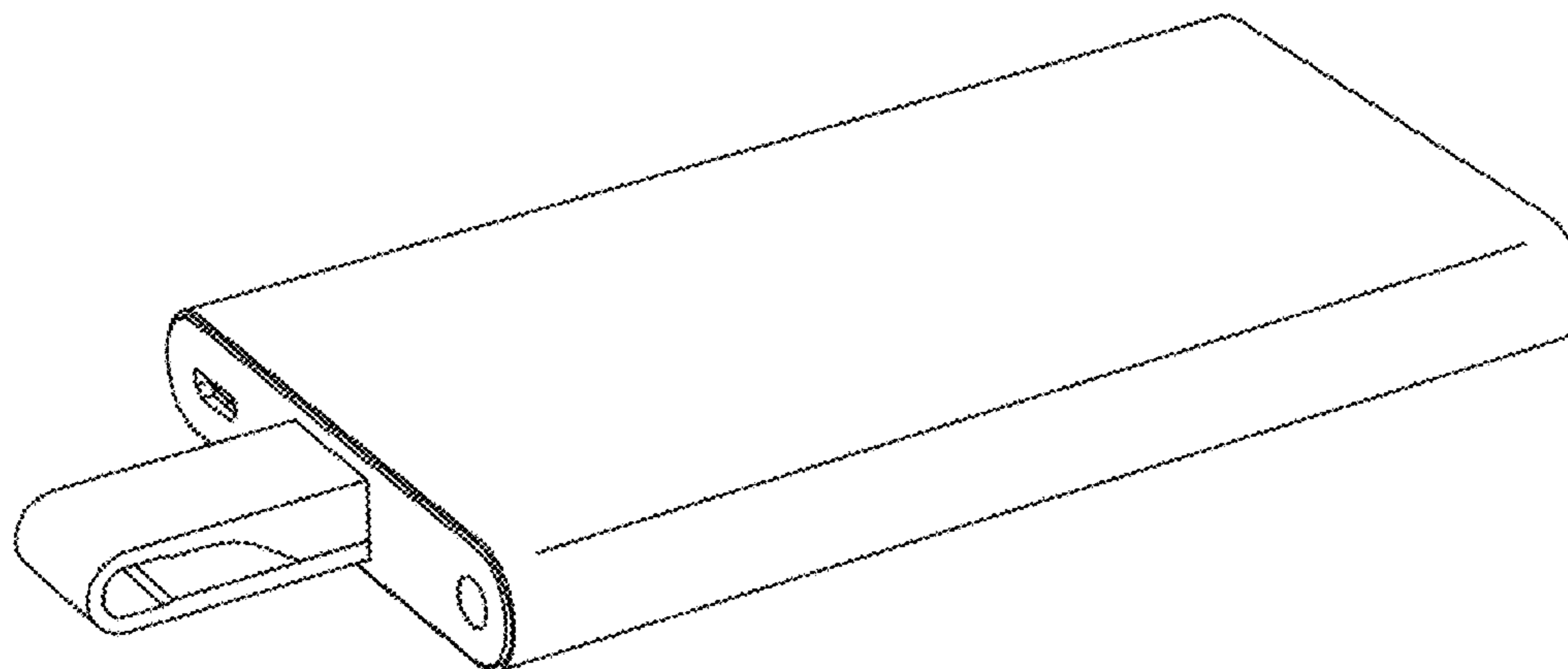
(57) **CLAIM**

The ornamental design for a mobile battery, as shown and described.

**DESCRIPTION**

FIG. 1 is a front view of an embodiment of a mobile battery; FIG. 2 is a left side view of the embodiment of FIG. 1; FIG. 3 is a right side view of the embodiment of FIG. 1; FIG. 4 is a top view of the embodiment of FIG. 1; FIG. 5 is a bottom view of the embodiment of FIG. 1; FIG. 6 is a front perspective view of the embodiment of FIG. 1; FIG. 7 is a perspective view showing the embodiment of FIG. 1 in an alternate position; and, FIG. 8 is a perspective view showing the embodiment of FIG. 1 in another alternate position. The broken lines shown in the drawings are included for the purpose of illustrating environmental structure and form no part of the claimed design.

**1 Claim, 8 Drawing Sheets**



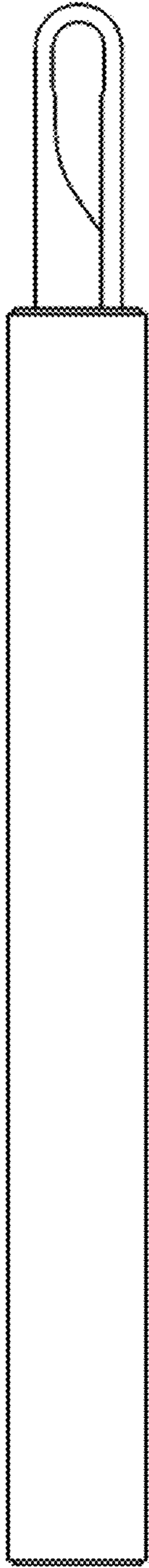


FIG. 1

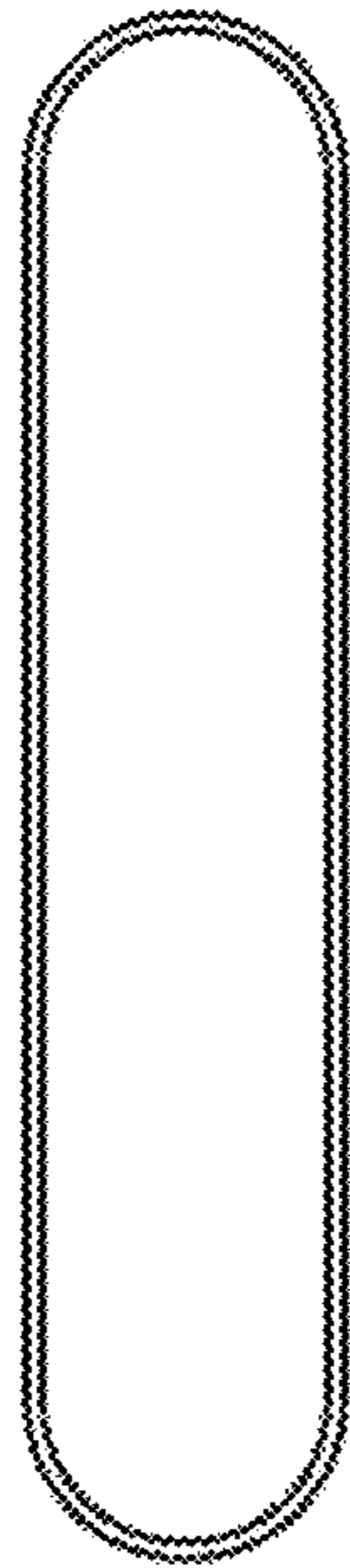


FIG. 2

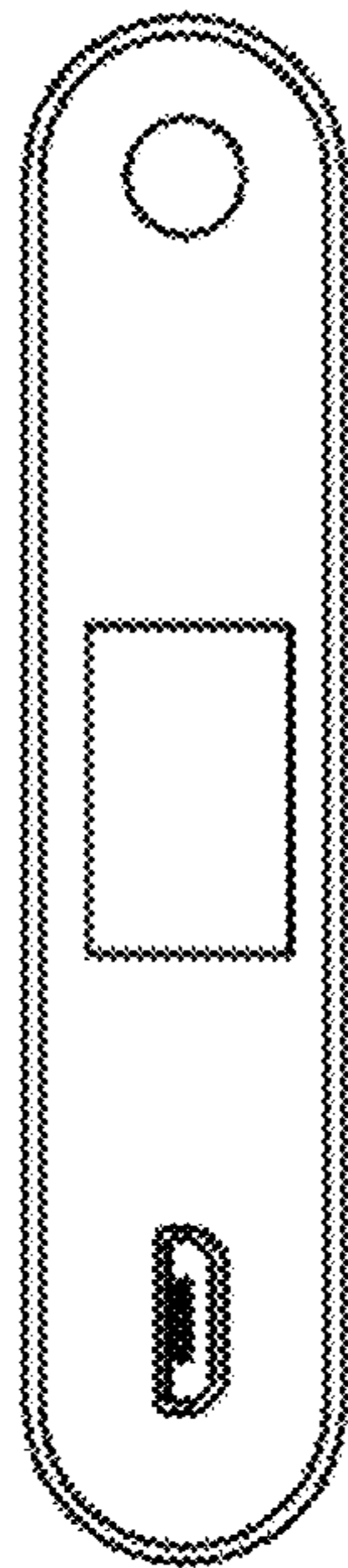


FIG. 3

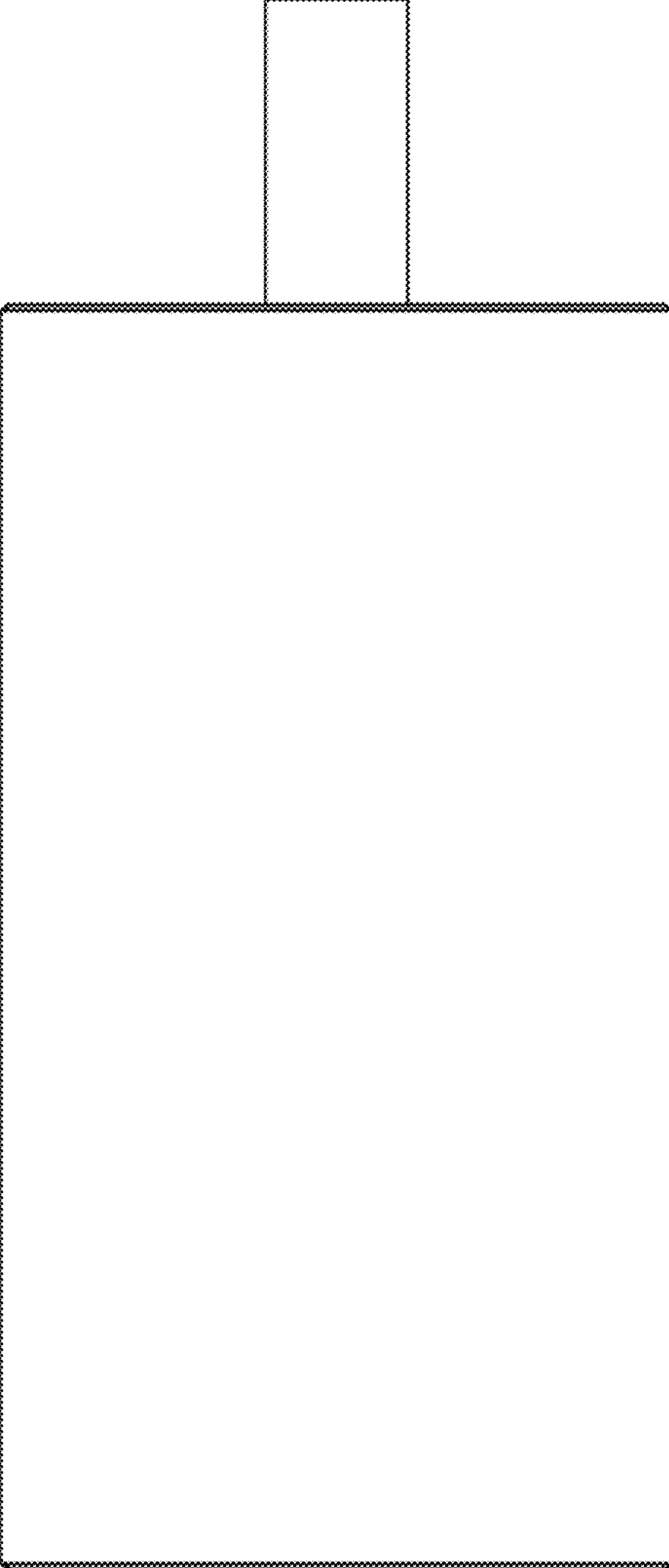


FIG. 4

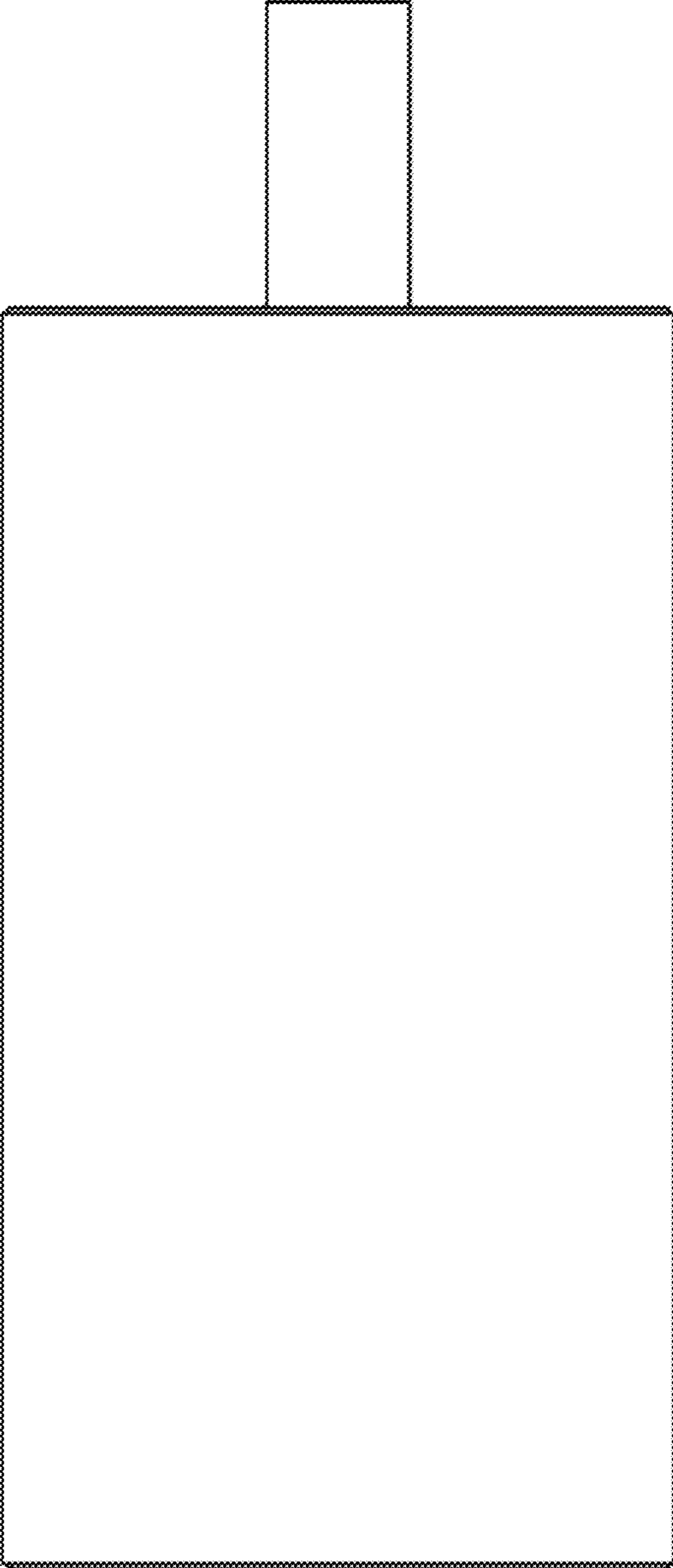


FIG. 5

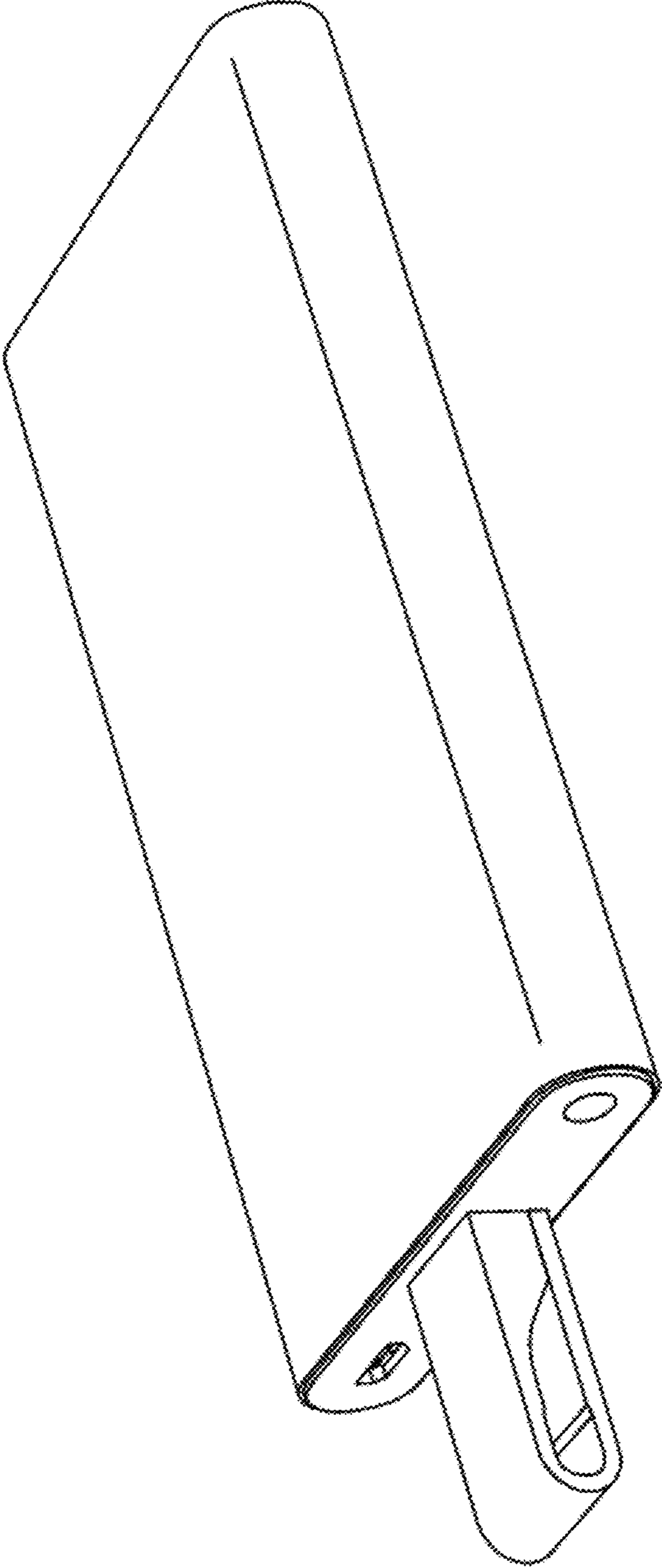


FIG. 6

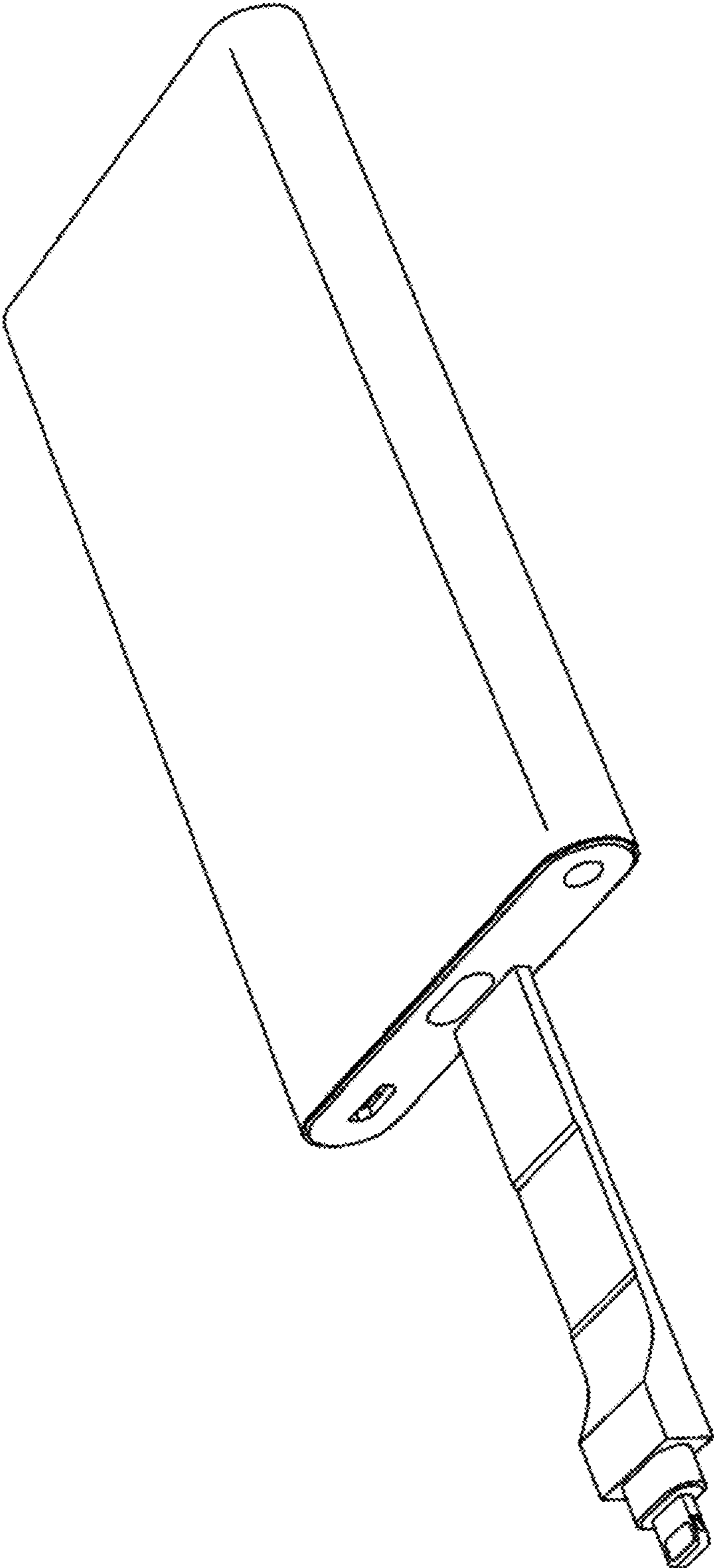


FIG. 7



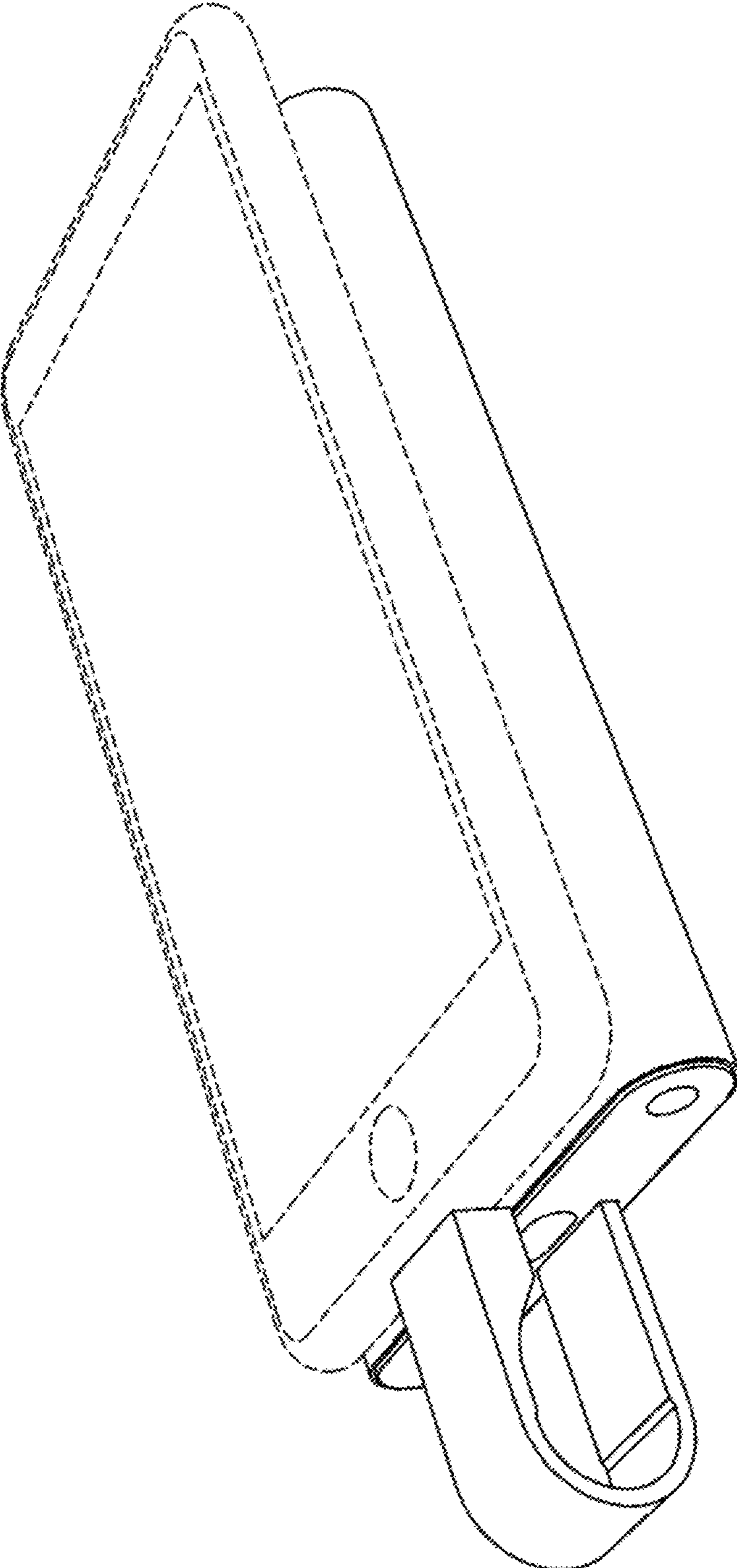


FIG. 8