



US00D765591S

(12) **United States Design Patent** (10) **Patent No.:** **US D765,591 S**
West et al. (45) **Date of Patent:** **** Sep. 6, 2016**

(54) **PANEL SKIRT AND PHOTOVOLTAIC PANEL**

(71) Applicant: **SolarCity Corporation**, San Mateo, CA (US)

(72) Inventors: **Jack Raymond West**, San Rafael, CA (US); **Tyrus Hawkes Hudson**, San Rafael, CA (US); **Emil Johansen**, San Rafael, CA (US)

(73) Assignee: **SolarCity Corporation**, San Mateo, CA (US)

(**) Term: **14 Years**

(21) Appl. No.: **29/520,265**

(22) Filed: **Mar. 12, 2015**

Related U.S. Application Data

(63) Continuation of application No. 13/316,450, filed on Dec. 9, 2011, now Pat. No. 9,291,369, and a continuation of application No. 13/960,835, filed on Aug. 7, 2013.

(51) **LOC (10) Cl.** **13-02**

(52) **U.S. Cl.**
USPC **D13/102**

(58) **Field of Classification Search**

USPC D13/102, 101, 118, 177, 184, 199;
D8/349, 353; D25/60, 136; 52/173.3;
126/569, 621, 622, 623, 704; 136/243,
136/244, 246, 247, 251, 252, 256, 258;
438/64; 248/237
CPC H01L 31/0504; H01L 31/0508; H01L
31/0512; H01L 31/0516; H01L 31/0232;
H01L 31/052; H01L 31/05; H01L 31/048;
H01L 31/0422; H01L 31/02008; H01L 21/00;
Y02E 10/47; Y02E 10/50; Y02E 10/52;
F24J 2/4614; F24J 2/4636; F24J 2/5211;
F24J 2/5233; F24J 2/5239; F24J 2/5249;
F24J 2/5254; H02S 20/00; H02S 20/23;
H02S 20/24; H02S 40/32; H02S 40/34;
H02S 40/36

See application file for complete search history.

(56) **References Cited**

U.S. PATENT DOCUMENTS

3,630,253 A 12/1971 Russell
4,047,516 A 9/1977 Bruel et al.

(Continued)

FOREIGN PATENT DOCUMENTS

CN 301573700 S 6/2011
DE 3111969 A1 10/1982

(Continued)

OTHER PUBLICATIONS

International Search Report for International Application No. PCT/US2009/060879, European Patent Office, Netherlands, mailed on Dec. 3, 2009.

(Continued)

Primary Examiner — Derrick Holland

(74) *Attorney, Agent, or Firm* — Sterne, Kessler, Goldstein & Fox P.L.L.C.

(57) **CLAIM**

The ornamental design for a panel skirt and photovoltaic panel, as shown and described.

DESCRIPTION

FIG. 1 is a top front perspective view of a panel skirt and photovoltaic panel showing our new design;

FIG. 2 is a top view thereof;

FIG. 3 is a front view thereof;

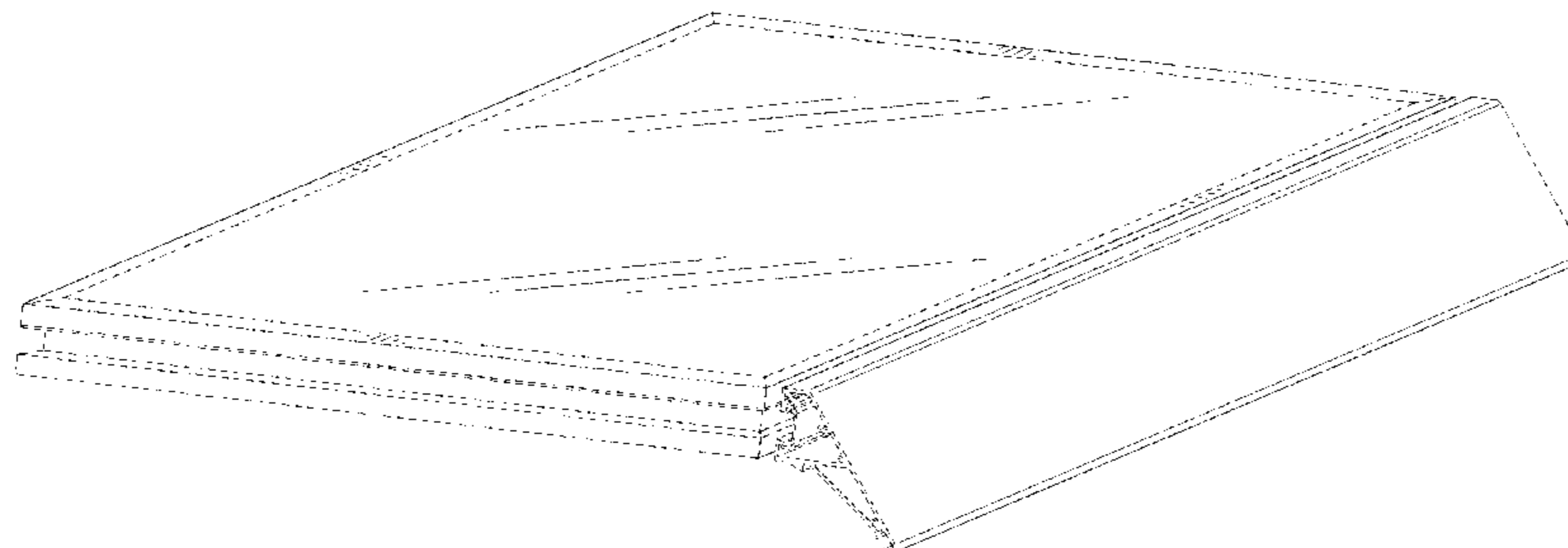
FIG. 4 is a right side view thereof; and,

FIG. 5 is a left side view thereof.

The dashed broken lines in the figures show portions of the panel skirt and photovoltaic panel that form no part of the claimed design.

The dot-dash broken lines in the figures show boundaries that form no part of the claimed design.

1 Claim, 5 Drawing Sheets



(56)

References Cited

U.S. PATENT DOCUMENTS

| | | | | | |
|---------------|---------|--------------------------------------|-----------------|---------|--------------------------------------|
| 4,112,922 A | 9/1978 | Skinner et al. | 6,568,873 B1 | 5/2003 | Peterson |
| 4,146,785 A | 3/1979 | Neale | 6,570,084 B2 | 5/2003 | Dinwoodie |
| 4,154,223 A | 5/1979 | Lof | 6,586,668 B2 | 7/2003 | Shugar et al. |
| 4,155,346 A | 5/1979 | Aresty | 6,634,077 B2 | 10/2003 | Layfield |
| 4,215,677 A | 8/1980 | Erickson | 6,670,541 B2 | 12/2003 | Nagao et al. |
| 4,217,825 A | 8/1980 | Bruckner | 6,672,018 B2 | 1/2004 | Shingleton |
| 4,219,011 A | 8/1980 | Knoos | 6,675,545 B2 | 1/2004 | Chen et al. |
| 4,269,173 A * | 5/1981 | Krueger F24J 2/4636 126/569 | 6,675,580 B2 | 1/2004 | Ansley et al. |
| 4,271,825 A | 6/1981 | Schwob et al. | 6,676,326 B2 | 1/2004 | Wu |
| D260,679 S * | 9/1981 | Mayerovitch D13/102 | 6,722,357 B2 | 4/2004 | Shingleton |
| 4,308,858 A | 1/1982 | Skillman | 6,761,008 B2 | 7/2004 | Chen et al. |
| 4,310,182 A | 1/1982 | Vandenbossche | 6,784,360 B2 | 8/2004 | Nakajima et al. |
| 4,312,325 A | 1/1982 | Voges et al. | 6,809,251 B2 | 10/2004 | Dinwoodie |
| 4,353,356 A | 10/1982 | Vandenbossche | 6,809,253 B2 | 10/2004 | Dinwoodie |
| 4,371,139 A | 2/1983 | Clark | 6,935,623 B2 | 8/2005 | Cook et al. |
| D270,660 S * | 9/1983 | Ort D13/102 | D510,315 S | 10/2005 | Shugar et al. |
| 4,429,872 A | 2/1984 | Capachi | D511,576 S | 11/2005 | Shingleton et al. |
| 4,505,261 A | 3/1985 | Hunter | 6,959,517 B2 | 11/2005 | Poddany et al. |
| 4,570,408 A | 2/1986 | Frascaroli et al. | RE38,988 E | 2/2006 | Dinwoodie |
| 4,680,905 A | 7/1987 | Rockar | D516,017 S | 2/2006 | Mascolo |
| 4,691,818 A | 9/1987 | Weber | 6,993,917 B2 | 2/2006 | Unger et al. |
| 4,718,185 A | 1/1988 | Conlin et al. | D519,444 S | 4/2006 | Mascolo |
| 4,738,247 A | 4/1988 | Moore | 7,043,884 B2 | 5/2006 | Moreno |
| 4,966,631 A | 10/1990 | Matlin et al. | D547,262 S * | 7/2007 | Ullman D13/102 |
| 5,046,791 A | 9/1991 | Kooiman | 7,260,918 B2 | 8/2007 | Liebendorfer |
| 5,127,762 A | 7/1992 | Havlovitz | 7,297,867 B2 | 11/2007 | Nomura et al. |
| 5,134,827 A | 8/1992 | Hartman | 7,328,534 B2 | 2/2008 | Dinwoodie |
| 5,143,556 A | 9/1992 | Matlin | 7,339,110 B1 | 3/2008 | Mulligan et al. |
| 5,144,780 A | 9/1992 | Gieling et al. | D565,505 S | 4/2008 | Shugar et al. |
| 5,164,019 A | 11/1992 | Sinton | 7,406,800 B2 | 8/2008 | Cinnamon et al. |
| 5,164,020 A | 11/1992 | Wagner et al. | 7,435,134 B2 | 10/2008 | Lenox |
| 5,203,135 A | 4/1993 | Bastian | 7,592,537 B1 | 9/2009 | West |
| 5,205,694 A | 4/1993 | Nagoshi et al. | 7,774,998 B2 | 8/2010 | Aschenbrenner |
| 5,232,518 A | 8/1993 | Nath et al. | 7,797,889 B2 | 9/2010 | McClintock et al. |
| 5,316,592 A | 5/1994 | Dinwoodie | 7,806,377 B2 | 10/2010 | Strizki |
| 5,333,602 A | 8/1994 | Huang | 7,832,157 B2 | 11/2010 | Cinnamon |
| 5,338,369 A | 8/1994 | Rawlings | 7,866,098 B2 | 1/2011 | Cinnamon |
| 5,367,843 A | 11/1994 | Hirai et al. | 7,866,099 B2 | 1/2011 | Komamine et al. |
| 5,460,660 A | 10/1995 | Albright et al. | 7,915,519 B2 | 3/2011 | Kobayashi |
| 5,497,587 A | 3/1996 | Hirai et al. | 7,956,281 B2 | 6/2011 | O'Brien et al. |
| 5,505,788 A | 4/1996 | Dinwoodie | 7,987,641 B2 | 8/2011 | Cinnamon |
| D374,169 S | 10/1996 | Kopish | 8,039,733 B2 | 10/2011 | Kobayashi |
| 5,571,338 A | 11/1996 | Kadonome et al. | 8,109,048 B2 | 2/2012 | West et al. |
| 5,596,981 A | 1/1997 | Soucy | 8,234,824 B2 | 8/2012 | Botkin et al. |
| 5,628,580 A | 5/1997 | Rinderer | 8,272,176 B2 | 9/2012 | Wallgren |
| D387,655 S | 12/1997 | Kopish | 8,558,101 B2 | 10/2013 | Mascolo et al. |
| 5,706,617 A | 1/1998 | Hirai et al. | 8,635,818 B2 | 1/2014 | Wildes |
| 5,746,029 A | 5/1998 | Ullman | 8,748,733 B2 | 6/2014 | Leary |
| 5,746,839 A | 5/1998 | Dinwoodie | 8,832,938 B2 * | 9/2014 | Gies F24J 2/5239 29/890.033 |
| 5,787,653 A | 8/1998 | Sakai et al. | 2002/0078991 A1 | 6/2002 | Nagao et al. |
| 5,960,790 A | 10/1999 | Rich | 2002/0112435 A1 | 8/2002 | Hartman |
| 6,000,393 A | 12/1999 | Moore | 2003/0010374 A1 | 1/2003 | Dinwoodie |
| 6,061,978 A | 5/2000 | Dinwoodie et al. | 2003/0015636 A1 | 1/2003 | Liebendorfer |
| 6,093,884 A | 7/2000 | Toyomura et al. | 2003/0015637 A1 | 1/2003 | Liebendorfer |
| 6,105,317 A | 8/2000 | Tomiuchi et al. | 2003/0201009 A1 | 10/2003 | Nakajima et al. |
| 6,111,189 A | 8/2000 | Garvison et al. | 2004/0063265 A1 | 4/2004 | Noble |
| 6,148,570 A | 11/2000 | Dinwoodie et al. | 2004/0163338 A1 | 8/2004 | Liebendorfer |
| 6,201,180 B1 | 3/2001 | Meyer et al. | 2004/0179892 A1 | 9/2004 | Du |
| 6,207,889 B1 | 3/2001 | Toyomura et al. | 2005/0115176 A1 | 6/2005 | Russell et al. |
| 6,269,596 B1 | 8/2001 | Ohtsuka et al. | 2005/0126621 A1 | 6/2005 | Dinwoodie et al. |
| 6,274,402 B1 | 8/2001 | Verlinden et al. | 2005/0199278 A1 | 9/2005 | Aschenbrenner |
| 6,295,918 B1 | 10/2001 | Simmons et al. | 2005/0257453 A1 | 11/2005 | Cinnamon |
| 6,313,395 B1 | 11/2001 | Crane et al. | 2006/0042680 A1 | 3/2006 | Korman et al. |
| 6,337,283 B1 | 1/2002 | Verlinden et al. | 2006/0118163 A1 | 6/2006 | Plaisted et al. |
| 6,360,491 B1 | 3/2002 | Ullman | 2007/0074755 A1 | 4/2007 | Eberspacher et al. |
| 6,370,828 B1 | 4/2002 | Genschorek | 2007/0102036 A1 | 5/2007 | Cinnamon |
| 6,387,726 B1 | 5/2002 | Verlinden et al. | 2007/0131273 A1 | 6/2007 | Kobayashi |
| 6,423,568 B1 | 7/2002 | Verlinden et al. | 2007/0157963 A1 | 7/2007 | Metten et al. |
| 6,465,724 B1 | 10/2002 | Garvison et al. | 2007/0199561 A1 | 8/2007 | Soucy |
| 6,495,750 B1 | 12/2002 | Dinwoodie | 2008/0000173 A1 | 1/2008 | Lenox et al. |
| 6,501,013 B1 | 12/2002 | Dinwoodie | 2008/0302407 A1 | 12/2008 | Kobayashi |
| 6,523,320 B2 | 2/2003 | Stoof | 2009/0025314 A1 | 1/2009 | Komamine et al. |
| 6,534,702 B1 | 3/2003 | Makita et al. | 2009/0078299 A1 | 3/2009 | Cinnamon et al. |
| 6,534,703 B2 | 3/2003 | Dinwoodie | 2009/0095280 A1 | 4/2009 | Buller et al. |
| | | | 2009/0217964 A1 | 9/2009 | Gilmore et al. |
| | | | 2009/0320906 A1 | 12/2009 | Botkin et al. |
| | | | 2010/0147362 A1 | 6/2010 | King et al. |
| | | | 2010/0154199 A1 | 6/2010 | Kobayashi |

(56)

References Cited

U.S. PATENT DOCUMENTS

2010/0155547 A1 6/2010 Kobayashi
 2010/0179678 A1 7/2010 Dinwoodie et al.
 2010/0206297 A1 8/2010 Wilkinson et al.
 2010/0218798 A1 9/2010 Cinnamon et al.
 2010/0243023 A1 9/2010 Patton et al.
 2011/0070765 A1 3/2011 Kobayashi
 2011/0198304 A1 8/2011 Wallgren
 2011/0214368 A1 9/2011 Haddock et al.
 2011/0220180 A1 9/2011 Cinnamon et al.
 2011/0232715 A1 9/2011 Lenox et al.
 2012/0031472 A1 2/2012 Chan et al.
 2012/0031473 A1 2/2012 Chan et al.
 2014/0000916 A1 1/2014 Ryba-White et al.

FOREIGN PATENT DOCUMENTS

DE 4444439 A1 4/1995
 DE 29703481 U1 11/1997
 DE 40300505-0002 S 4/2003
 DE 102005002828 A1 8/2006
 EM 000056510-0001 S 12/2003
 EM 001629700-0001 S 10/2009
 GB 2050769 3/1996
 GB 2050770 3/1996
 GB 2050771 3/1996
 GB 2391704 A 2/2004
 JP 47023570 7/1971
 JP 47057885 5/1972
 JP S5777856 A 5/1982
 JP S5787561 A 6/1982
 JP S58133945 U 9/1983
 JP S59191748 U 12/1984

JP H0242449 U 3/1990
 JP H0452367 A 2/1992
 JP H0641156 U 5/1994
 JP H07202242 A 8/1995
 JP H08296311 A 11/1996
 JP H10159284 A 6/1998
 JP H10176403 A 6/1998
 JP H10266499 A 10/1998
 JP H10317619 A 12/1998
 JP H10317621 A 12/1998
 JP H112004 A 1/1999
 JP H112011 A 1/1999
 JP H116262 A 1/1999
 JP H1140835 A 2/1999
 JP H11222991 A 8/1999
 JP 2000147262 A 5/2000
 JP 2000150947 A 5/2000
 JP 2000345664 A 12/2000
 JP 2001148493 A 5/2001
 JP 2001210853 A 8/2001
 JP 2001291890 A 10/2001
 JP 2002141541 A 5/2002
 JP 2002294957 A 10/2002
 JP 2003227207 A 8/2003
 WO WO-2005116359 A2 12/2005
 WO WO-2007103882 A2 9/2007
 WO WO-2010074701 A1 7/2010

OTHER PUBLICATIONS

Solarex VLX PV Module, circa 1993.
 Solyndra 200 Series datasheet, released Apr. 1, 2011.
 Unirac Installation Manual 201, 2003.
 Unirac Technical Bulletin 103, May 2002.
 US 5,819,447, 10/1998, Yamawaki (withdrawn)

* cited by examiner

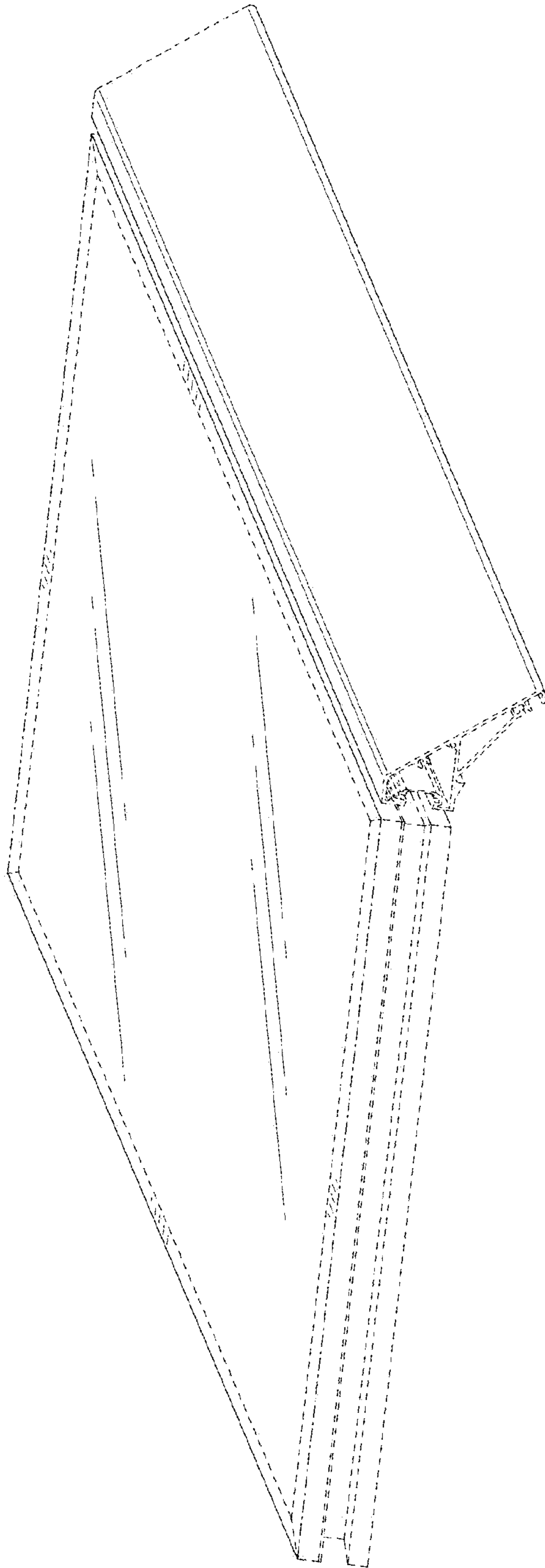


FIG. 1

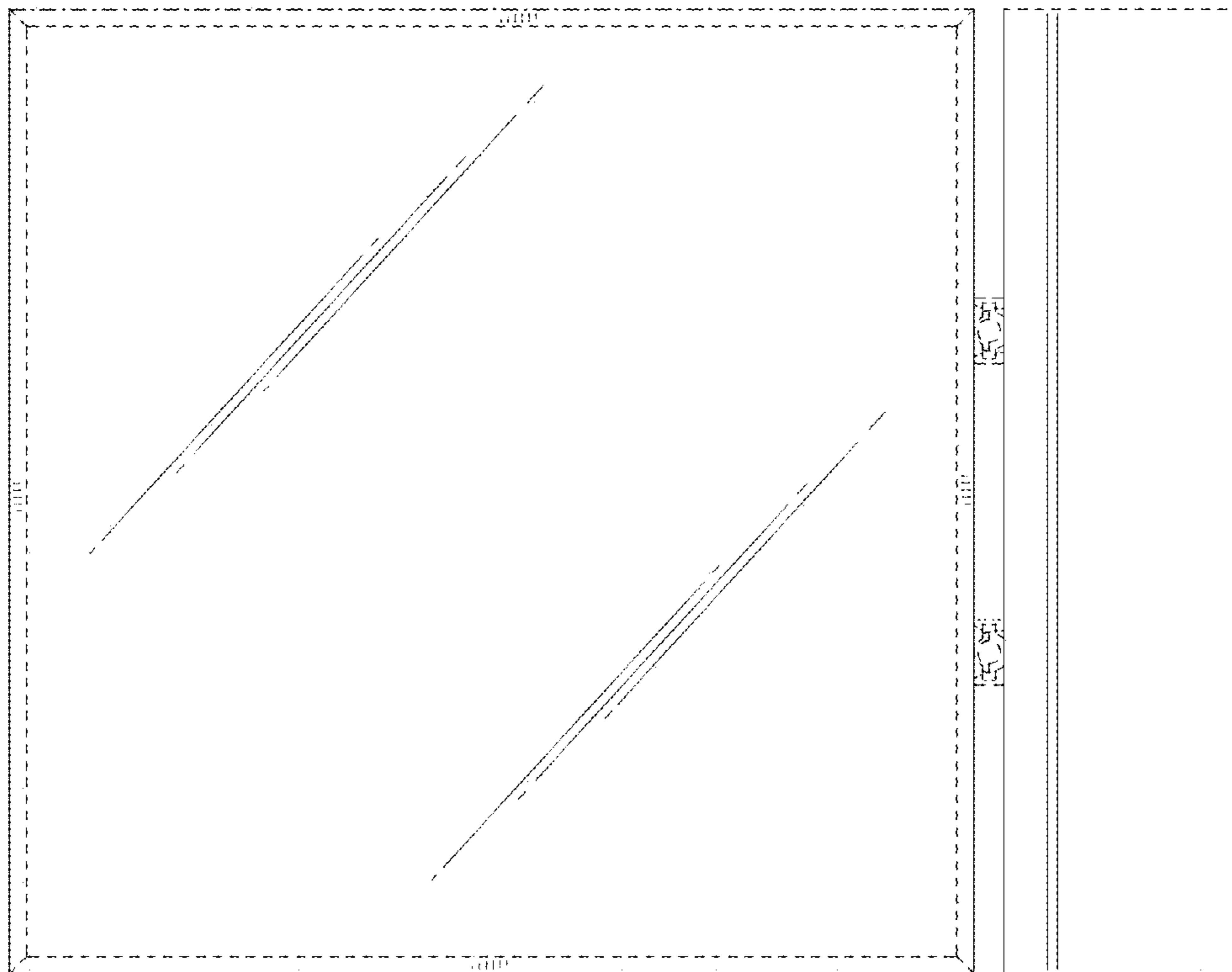


FIG. 2

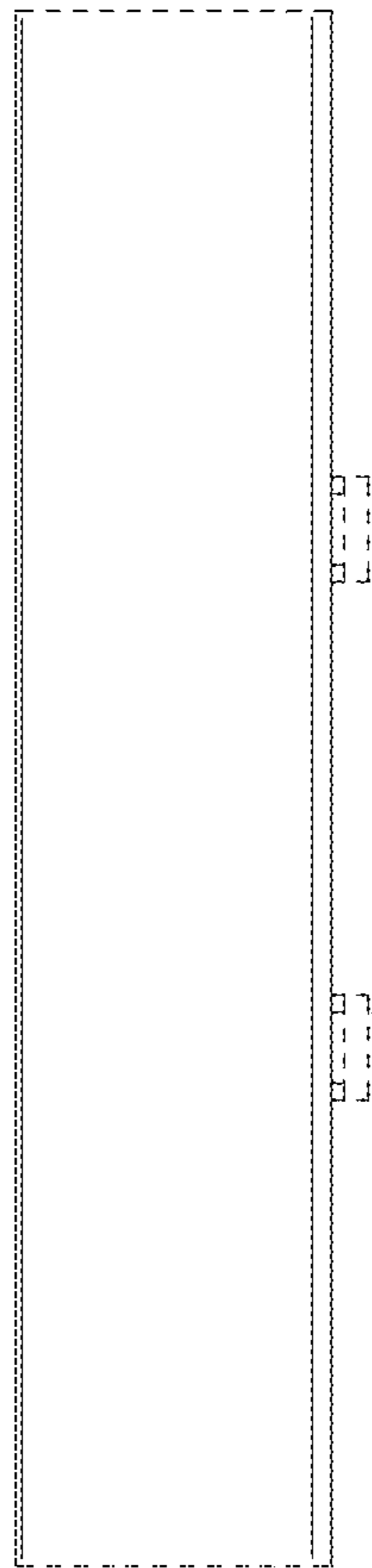


FIG. 3

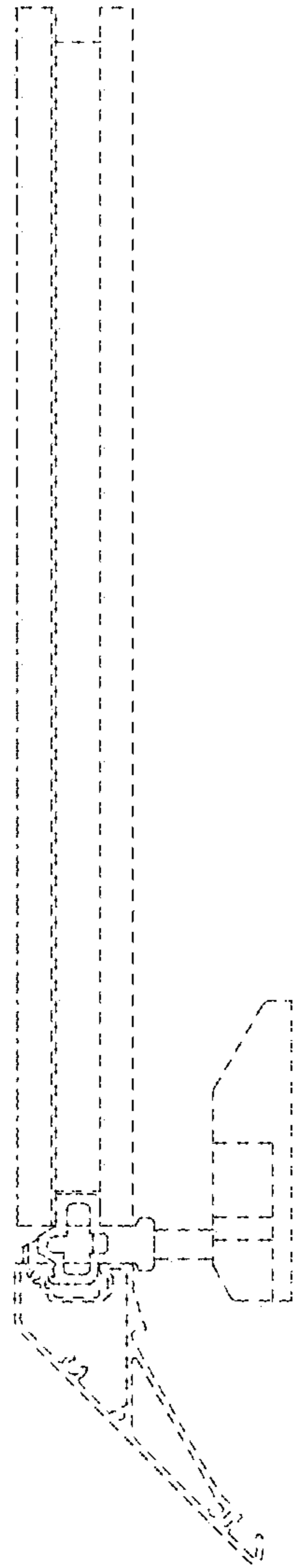


FIG. 4

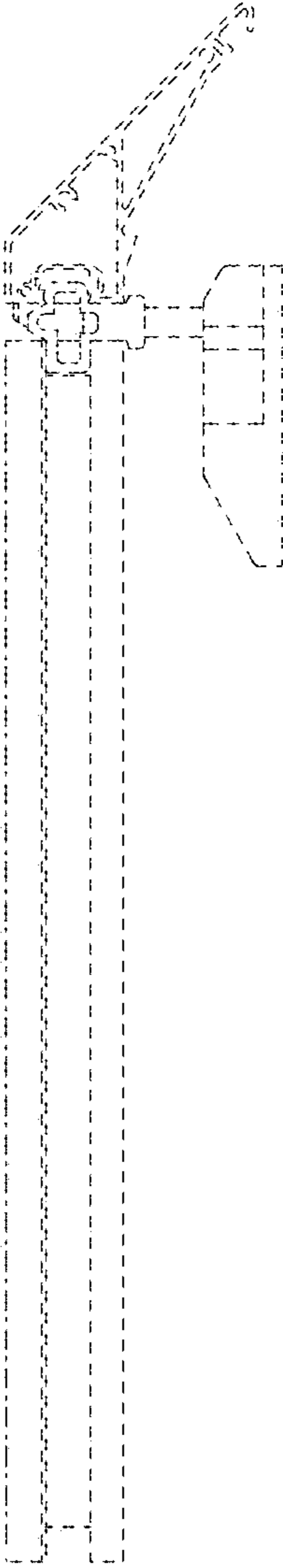


FIG. 5