

US00D765579S

(12) **United States Design Patent** (10) **Patent No.:** **US D765,579 S**
Montousse et al. (45) **Date of Patent:** **** Sep. 6, 2016**

(54) **CONSOLE FOR MOTOR VEHICLE**
(71) Applicant: **Mazda Motor Corporation**, Hiroshima (JP)
(72) Inventors: **Julien Montousse**, Irvine, CA (US); **Tetsuo Suzuki**, Hiroshima (JP); **Seiji Sekine**, Hiroshima (JP); **Toshio Ota**, Hiroshima (JP); **Taiji Abe**, Hiroshima (JP); **Shinya Mitsutake**, Hiroshima (JP); **Manami Nakamori**, Hiroshima (JP)
(73) Assignee: **Mazda Motor Corporation**, Hiroshima (JP)
(**) Term: **15 Years**
(21) Appl. No.: **29/529,673**
(22) Filed: **Jun. 9, 2015**
(51) **LOC (10) Cl.** **12-16**
(52) **U.S. Cl.**
USPC **D12/415**
(58) **Field of Classification Search**
USPC D12/415-426.1
CPC F16M 11/12; F16M 11/10
See application file for complete search history.

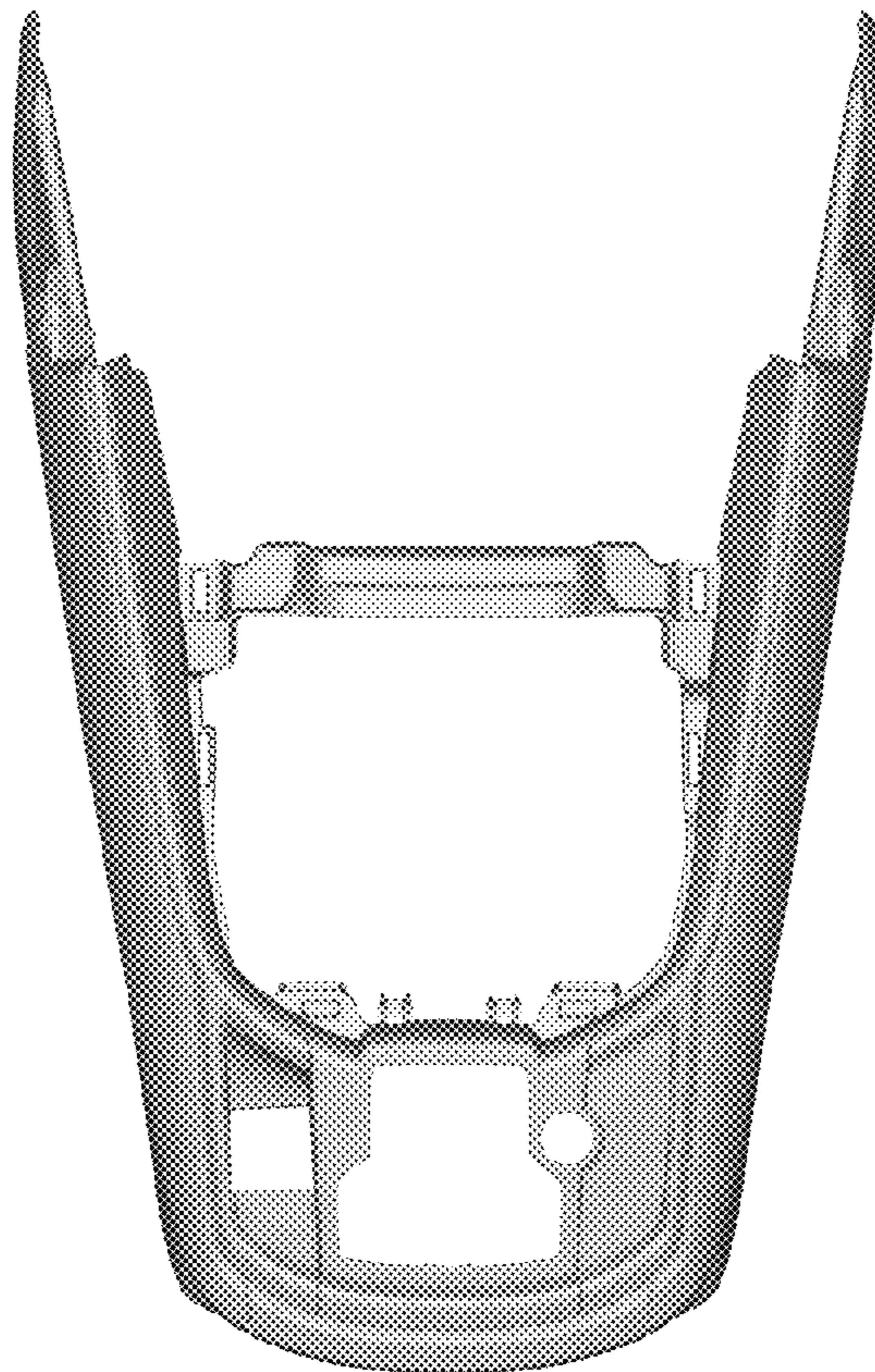
(56) **References Cited**
U.S. PATENT DOCUMENTS
6,616,206 B2 * 9/2003 Luginbill B60N 2/4646
224/539
D500,284 S * 12/2004 Clark D12/415
D571,280 S * 6/2008 Nakajima D12/415
D590,763 S * 4/2009 Yu D12/415
D624,869 S * 10/2010 Corradi D12/415
D713,324 S * 9/2014 Bose D12/415
* cited by examiner
Primary Examiner — Katrina A Betton
(74) *Attorney, Agent, or Firm* — Studebaker & Brackett PC

(57) **CLAIM**
The ornamental design for a console for motor vehicle, as shown and described.

DESCRIPTION

FIG. 1 is a first perspective view of a console for motor vehicle;
FIG. 2 is a second perspective view thereof;
FIG. 3 is a front view thereof;
FIG. 4 is a rear view thereof;
FIG. 5 is a left side view thereof;
FIG. 6 is a right side view thereof;
FIG. 7 is a top view thereof; and,
FIG. 8 is a bottom view thereof.

1 Claim, 4 Drawing Sheets



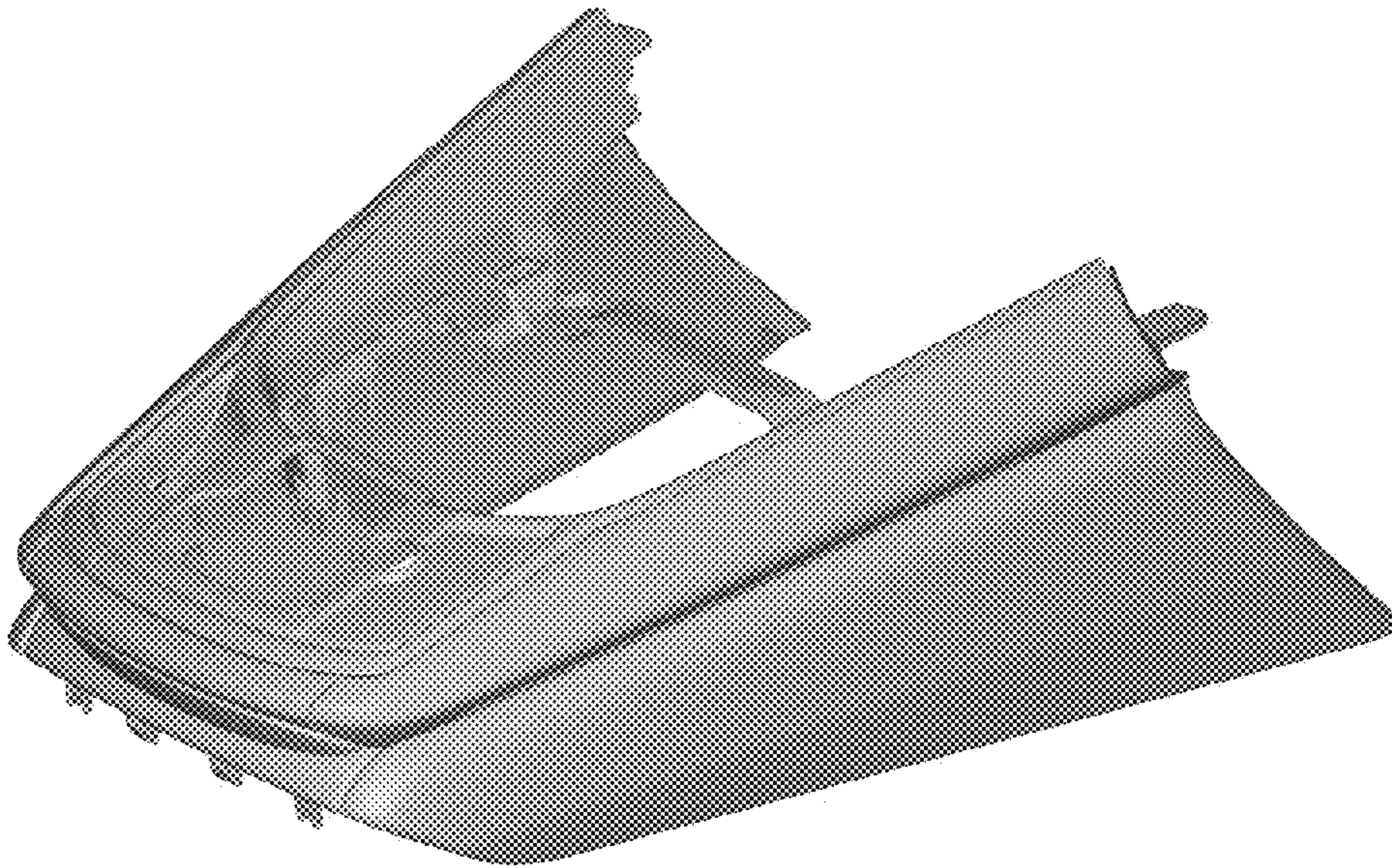


FIG. 1

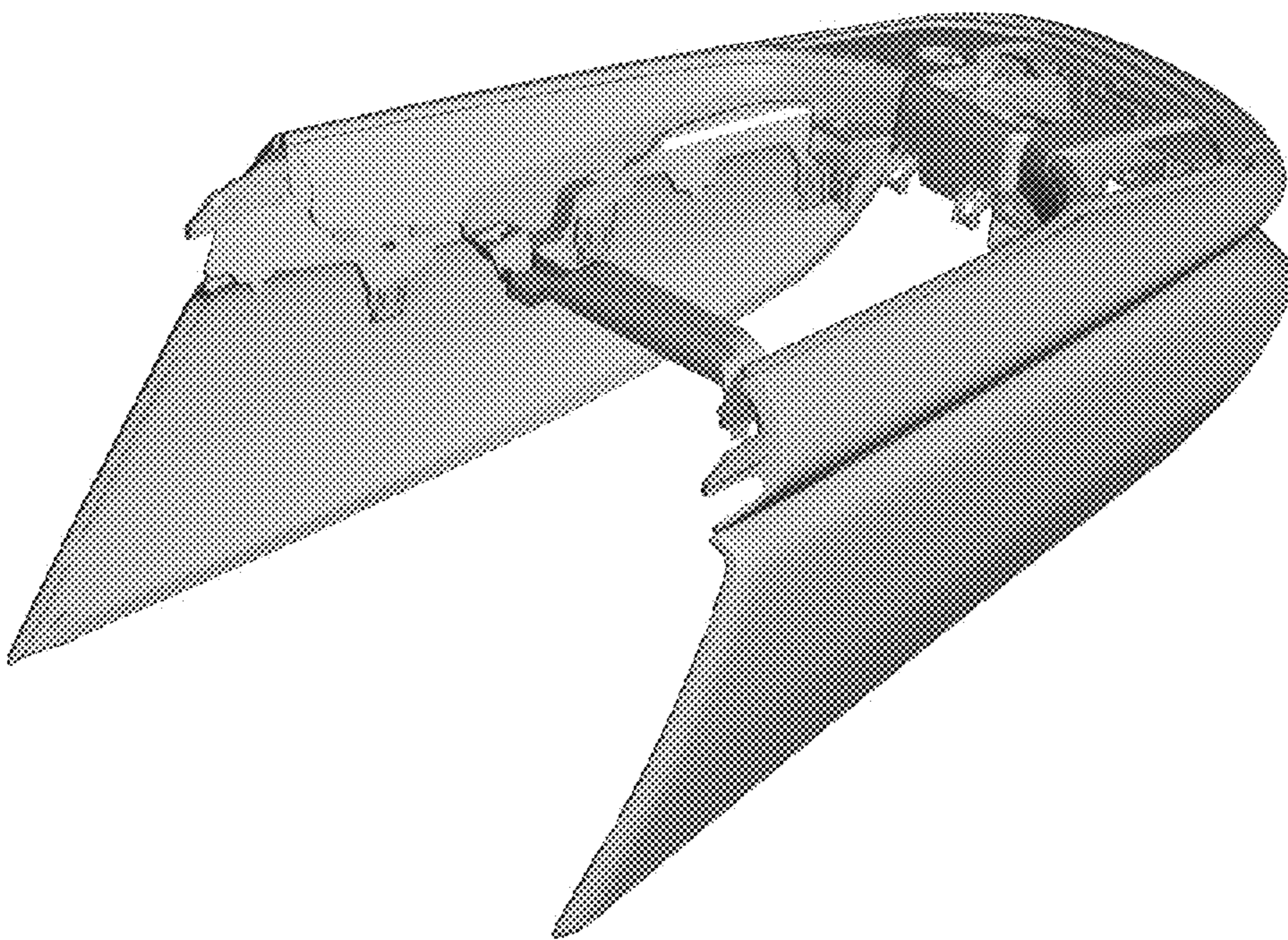


FIG. 2

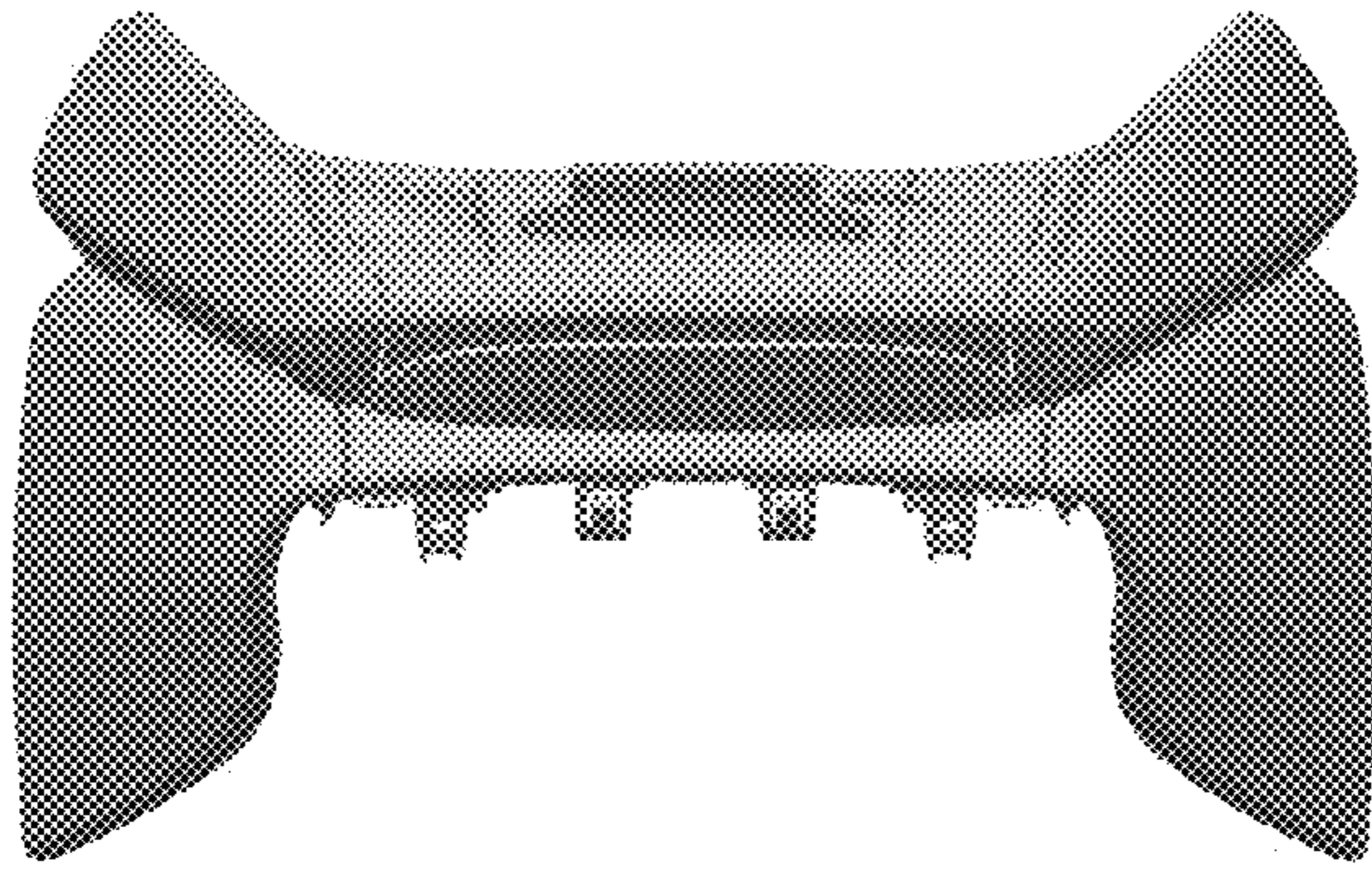


FIG.3

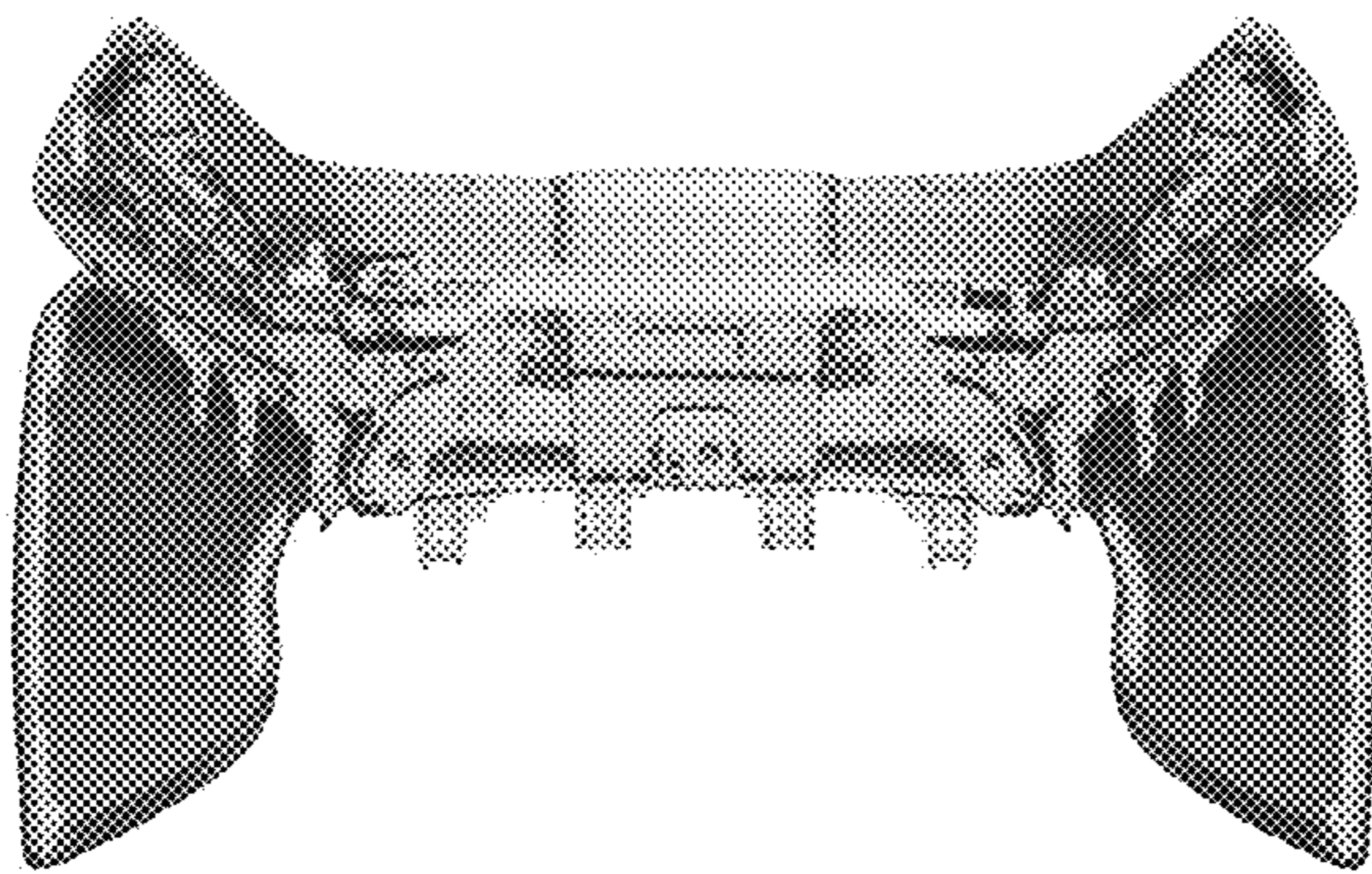


FIG.4

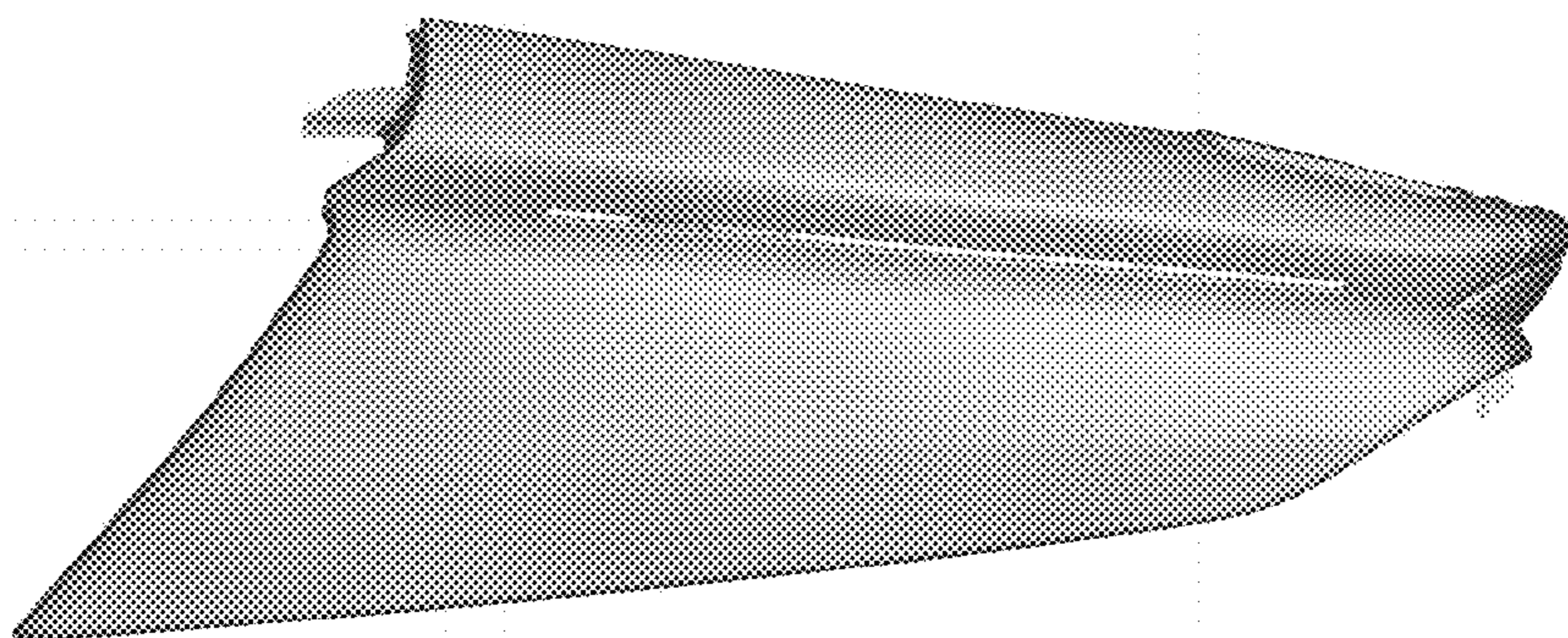


FIG. 5

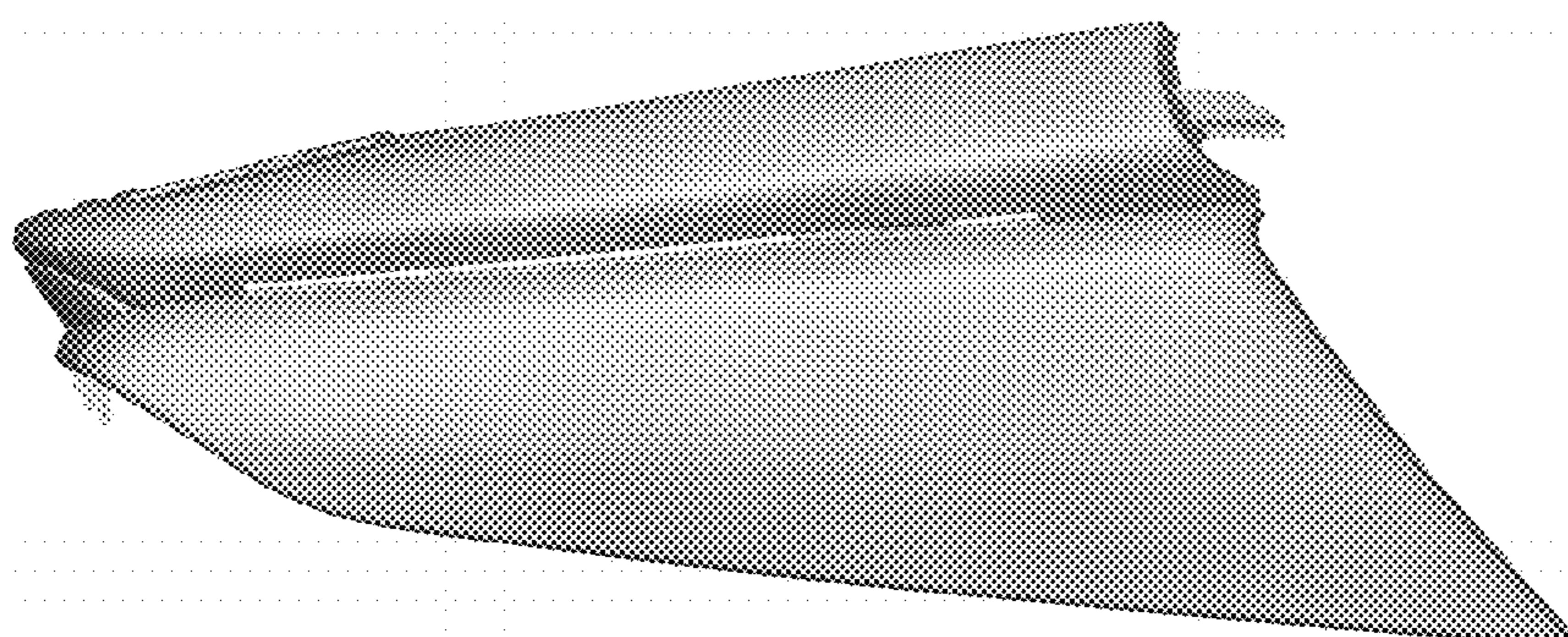


FIG. 6

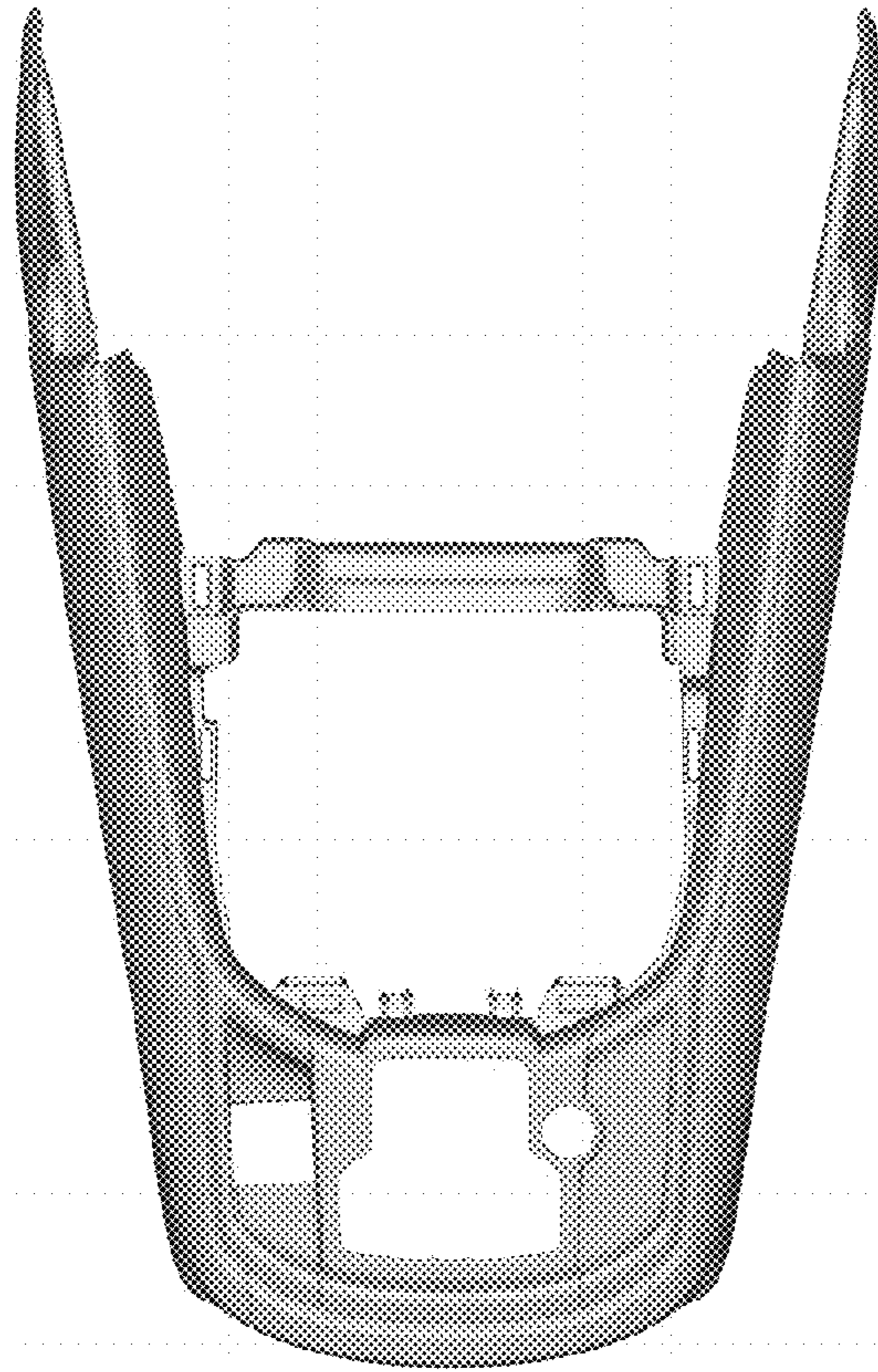


FIG. 7

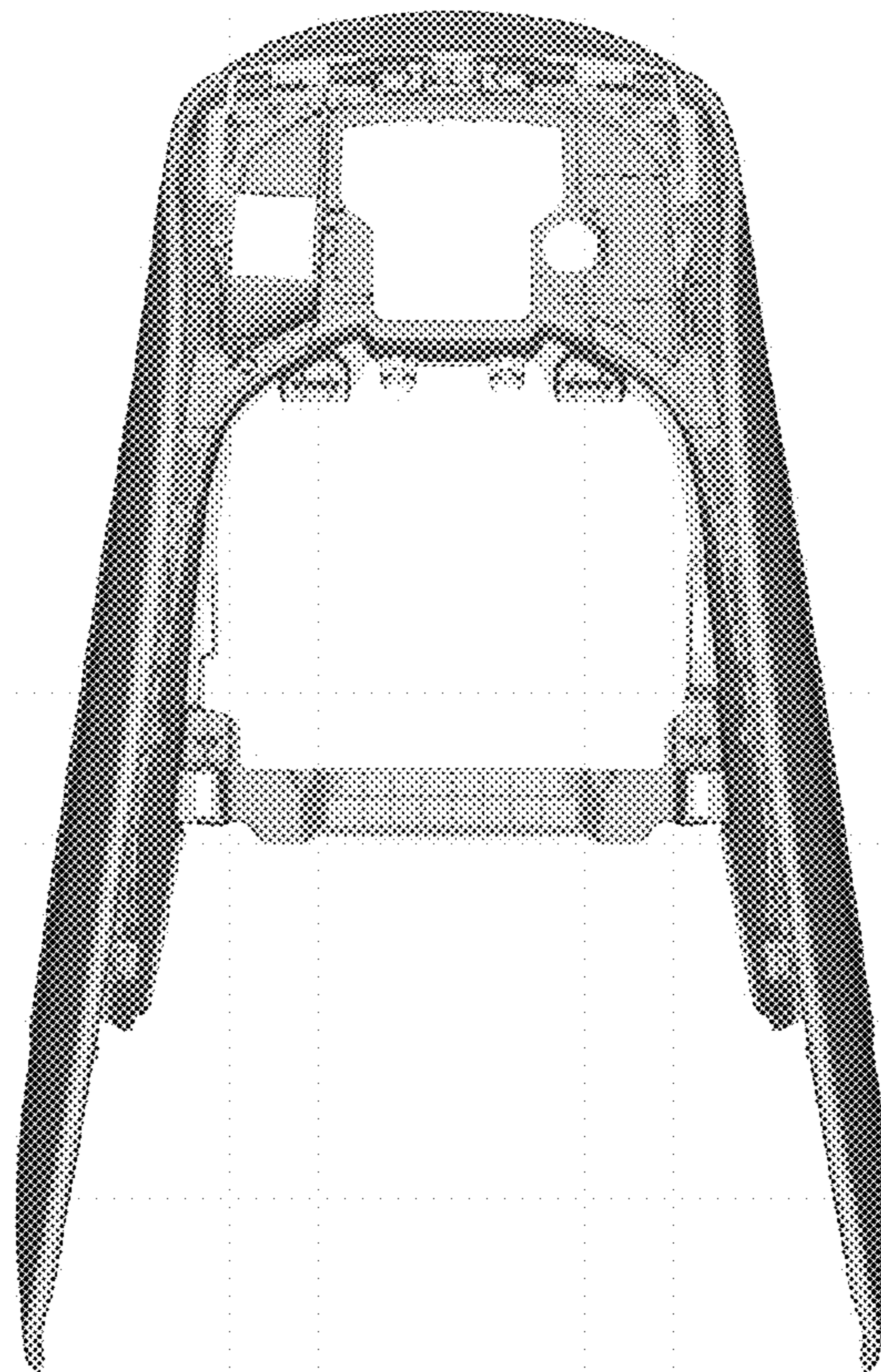


FIG. 8