



US00D765577S

(12) **United States Design Patent** (10) **Patent No.:** **US D765,577 S**
Kmita et al. (45) **Date of Patent:** **** Sep. 6, 2016**

(54) **ROOF RACK SYSTEM FOR A PICKUP TRUCK**

(71) Applicant: **JAC Products, Inc.**, Saline, MI (US)

(72) Inventors: **Gerard J. Kmita**, Allen Park, MI (US);
Brandon T. McMahan, Pontiac, MI (US)

(73) Assignee: **JAC Products, Inc.**, Saline, MI (US)

(**) Term: **14 Years**

(21) Appl. No.: **29/522,158**

(22) Filed: **Mar. 27, 2015**

(51) **LOC (10) Cl.** **12-16**

(52) **U.S. Cl.**
USPC **D12/412**

(58) **Field of Classification Search**
USPC D12/412, 406, 413, 414, 414.1;
D6/552; D3/304-306
CPC B60R 9/00; B60R 9/02; B60R 9/04;
B60R 9/08; B60R 9/042; B60R 9/0423;
B60R 9/0426; B60R 9/045; B60R 9/048;
B60R 9/05; B60R 9/052; B60R 9/055
See application file for complete search history.

(56) **References Cited**

U.S. PATENT DOCUMENTS

D149,830	S *	6/1948	Caron	280/790
3,554,416	A *	1/1971	Bott	B60R 9/045 224/321
5,303,858	A	4/1994	Price		
D434,364	S *	11/2000	Bauer	D12/412
D444,446	S *	7/2001	Carter	D12/406
D529,858	S *	10/2006	Kramer	D12/406
7,246,839	B1	7/2007	Nyberg		
D558,123	S *	12/2007	Murillo	D12/412
D594,813	S *	6/2009	Kramer	D12/412
7,568,748	B2	8/2009	Tarquinio		
7,581,917	B1	9/2009	Depagter		
D638,333	S *	5/2011	Freeman	D12/412

7,946,457	B2	5/2011	Kramer
8,113,563	B1	2/2012	McCann et al.
2004/0084919	A1	5/2004	Weyhrich
2005/0023314	A1	2/2005	Williams et al.
2005/0088848	A1	4/2005	Miller et al.
2006/0196905	A1	9/2006	Shaukat
2007/0090139	A1	4/2007	McKenzie
2008/0211247	A1	9/2008	Tarquinio
2013/0153617	A1	6/2013	Bierman et al.
2013/0306694	A1	11/2013	Langseder
2014/0356115	A1	12/2014	Krause

OTHER PUBLICATIONS

Prior Art Illustrations. Google search, illustrations depict a roof rack system for a pickup truck, at least Feb. 12, 2015, 4 pages.

* cited by examiner

Primary Examiner — Katrina A Betton

(74) *Attorney, Agent, or Firm* — Harness, Dickey & Pierce, P.L.C.

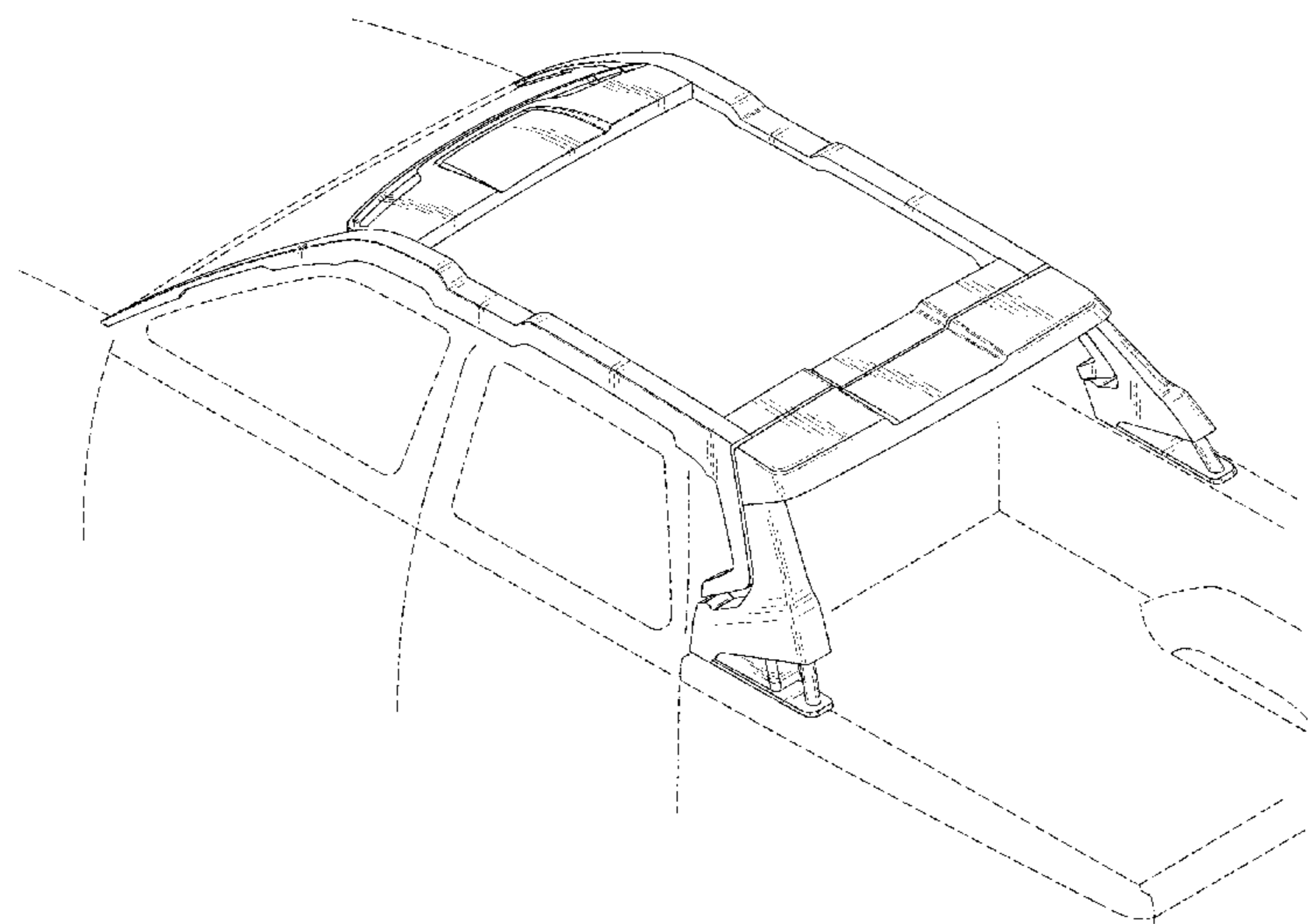
(57) **CLAIM**

The ornamental design for a roof rack system for a pickup truck, as shown and described.

DESCRIPTION

FIG. 1 is a front side perspective view of a roof rack system for a pickup truck in accordance with the present disclosure; FIG. 2 is a rear side perspective view of a roof rack system for a pickup truck of FIG. 1; FIG. 3 is a front view of the roof rack system for a pickup truck of FIG. 1; FIG. 4 is a rear view of the roof rack system for a pickup truck of FIG. 1; FIG. 5 is a plan view of the roof rack system for a pickup truck of FIG. 1; FIG. 6 is a right side view of the roof rack system for a pickup truck of FIG. 1; and, FIG. 7 is a left side view of the roof rack system for a pickup truck of FIG. 1.

1 Claim, 6 Drawing Sheets



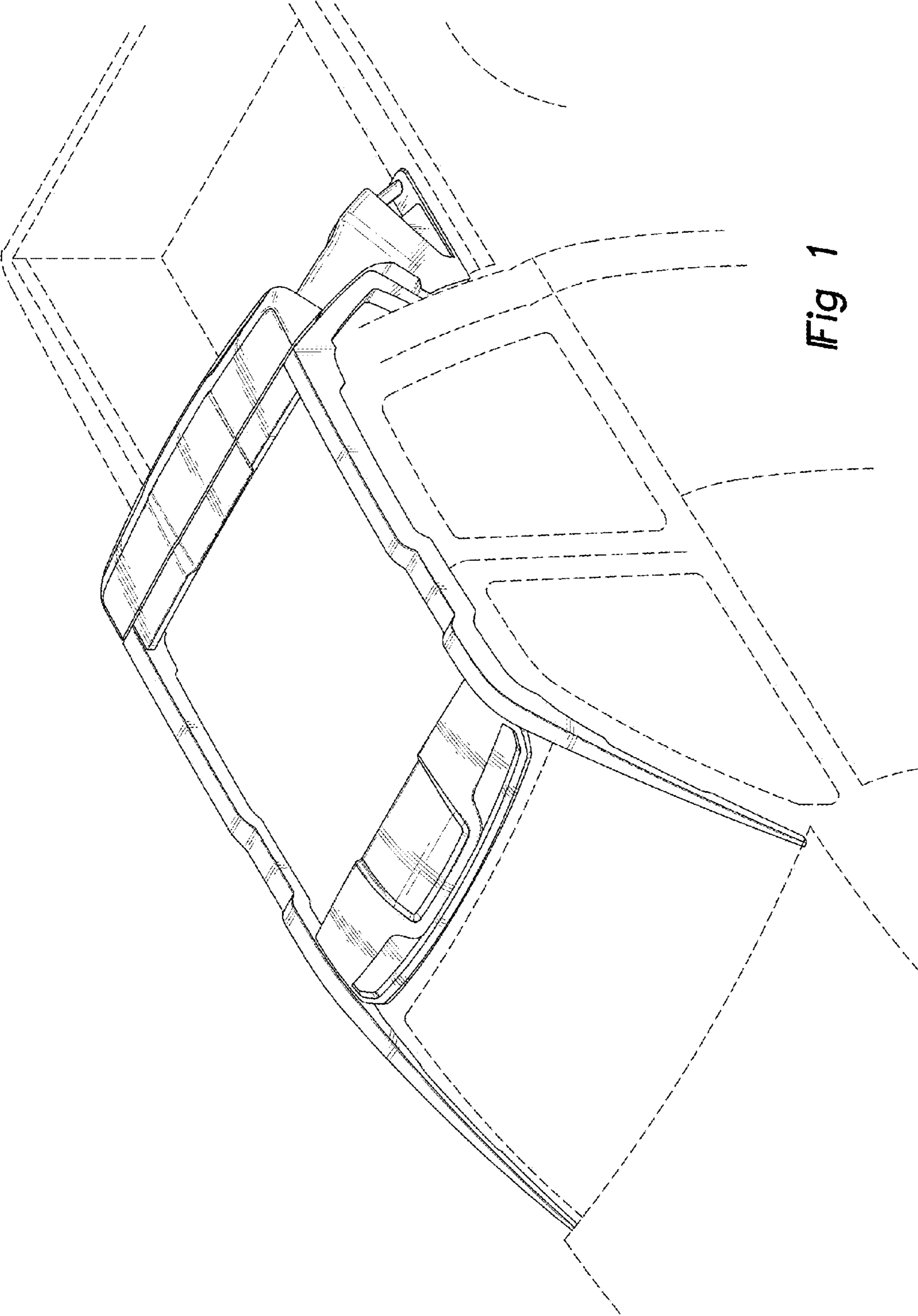


Fig 1

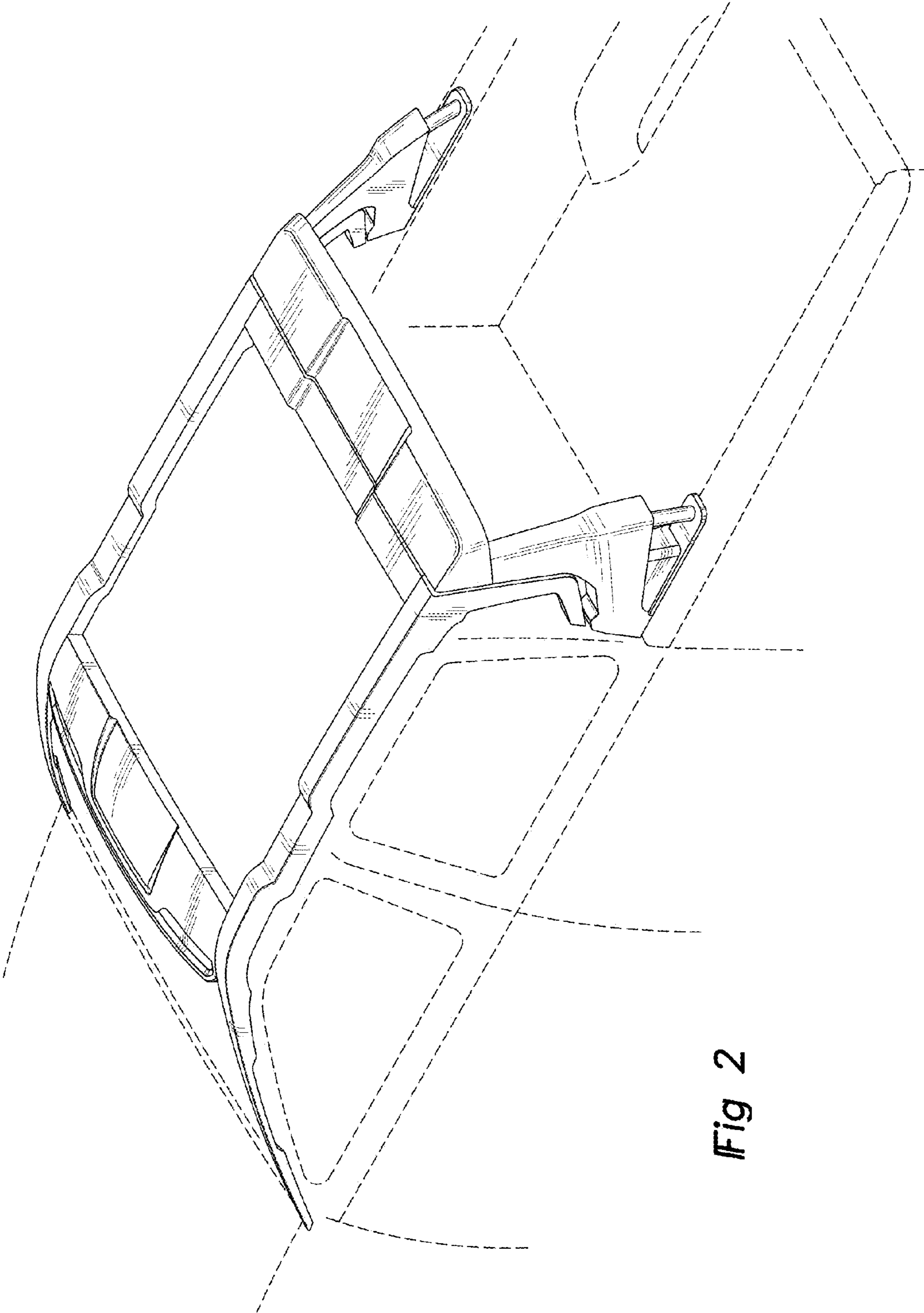


Fig 2

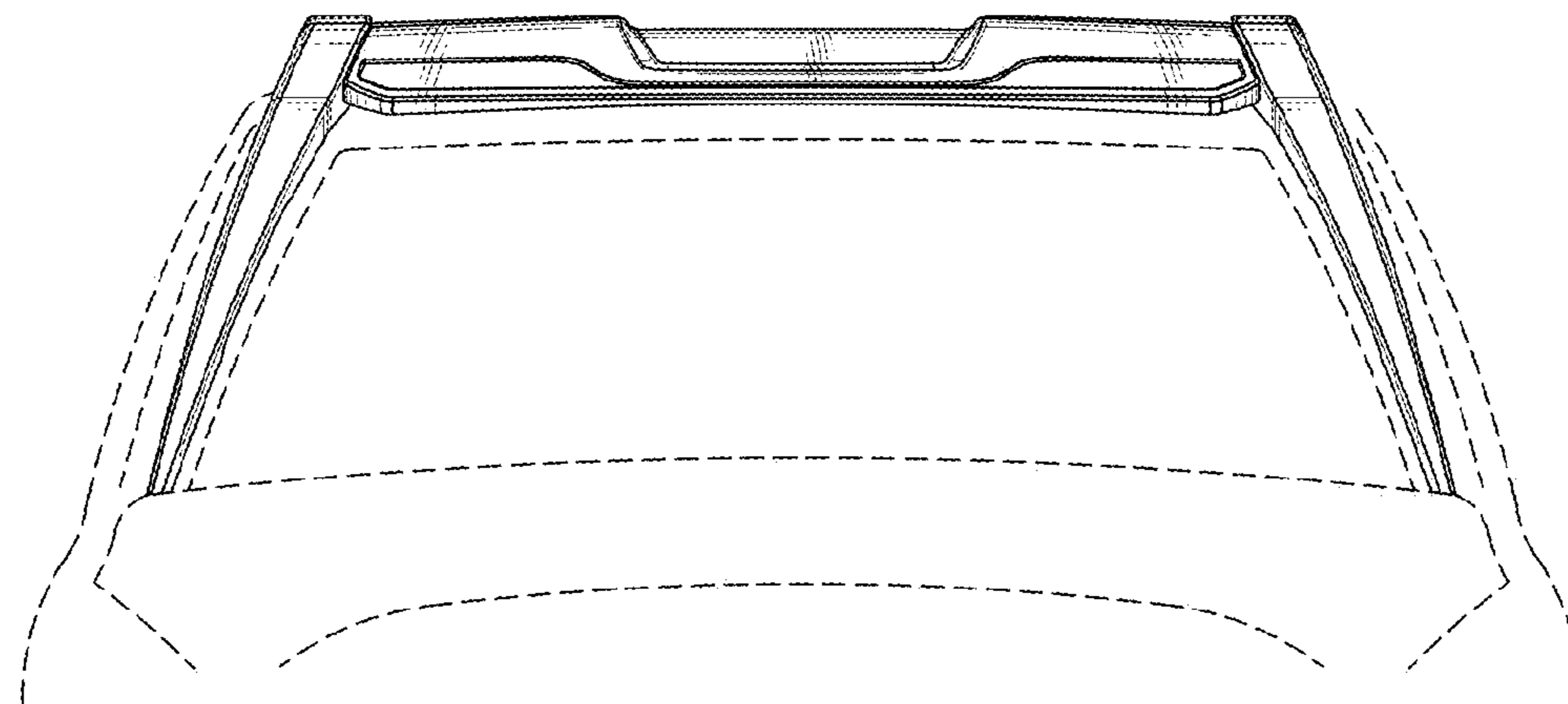


Fig 3

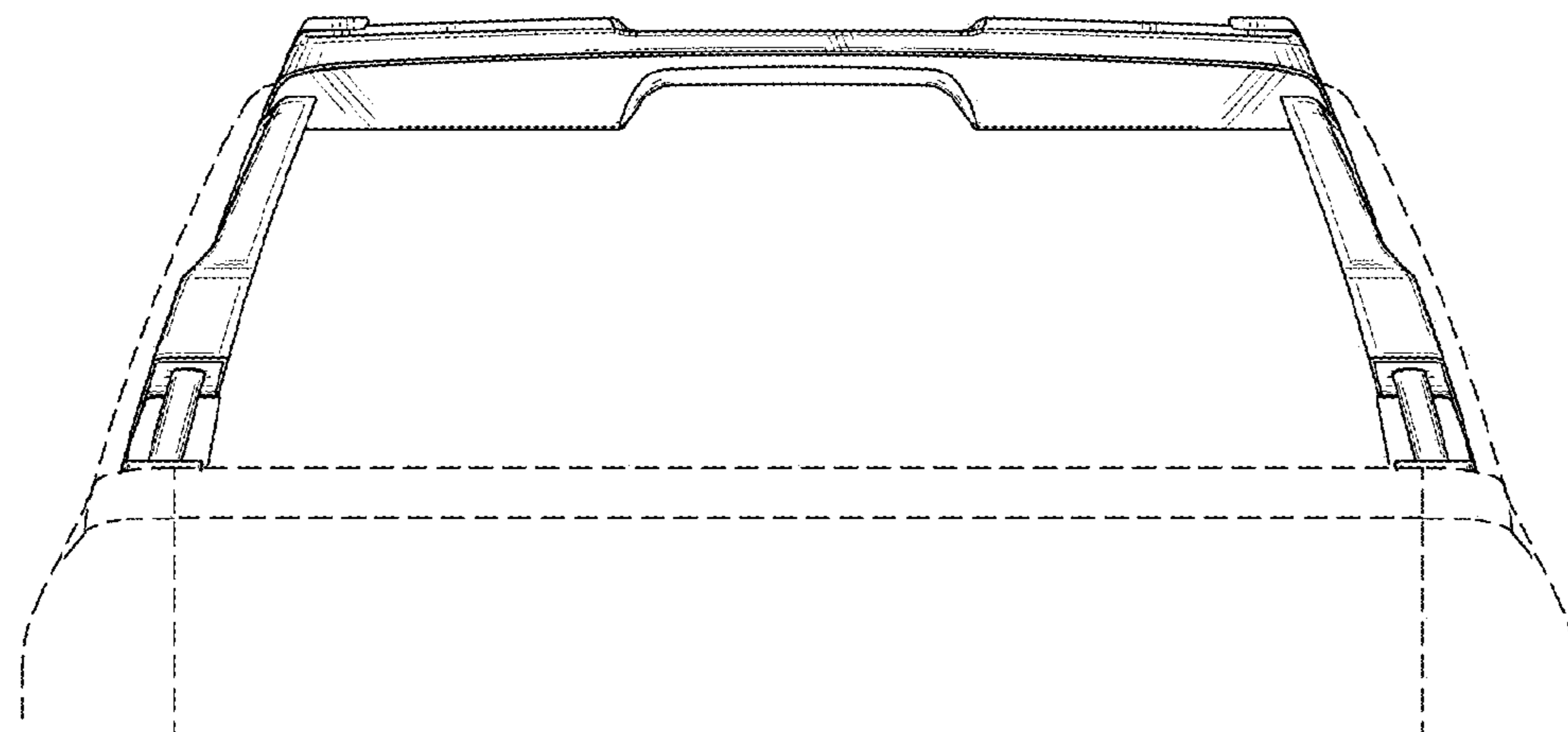


Fig 4

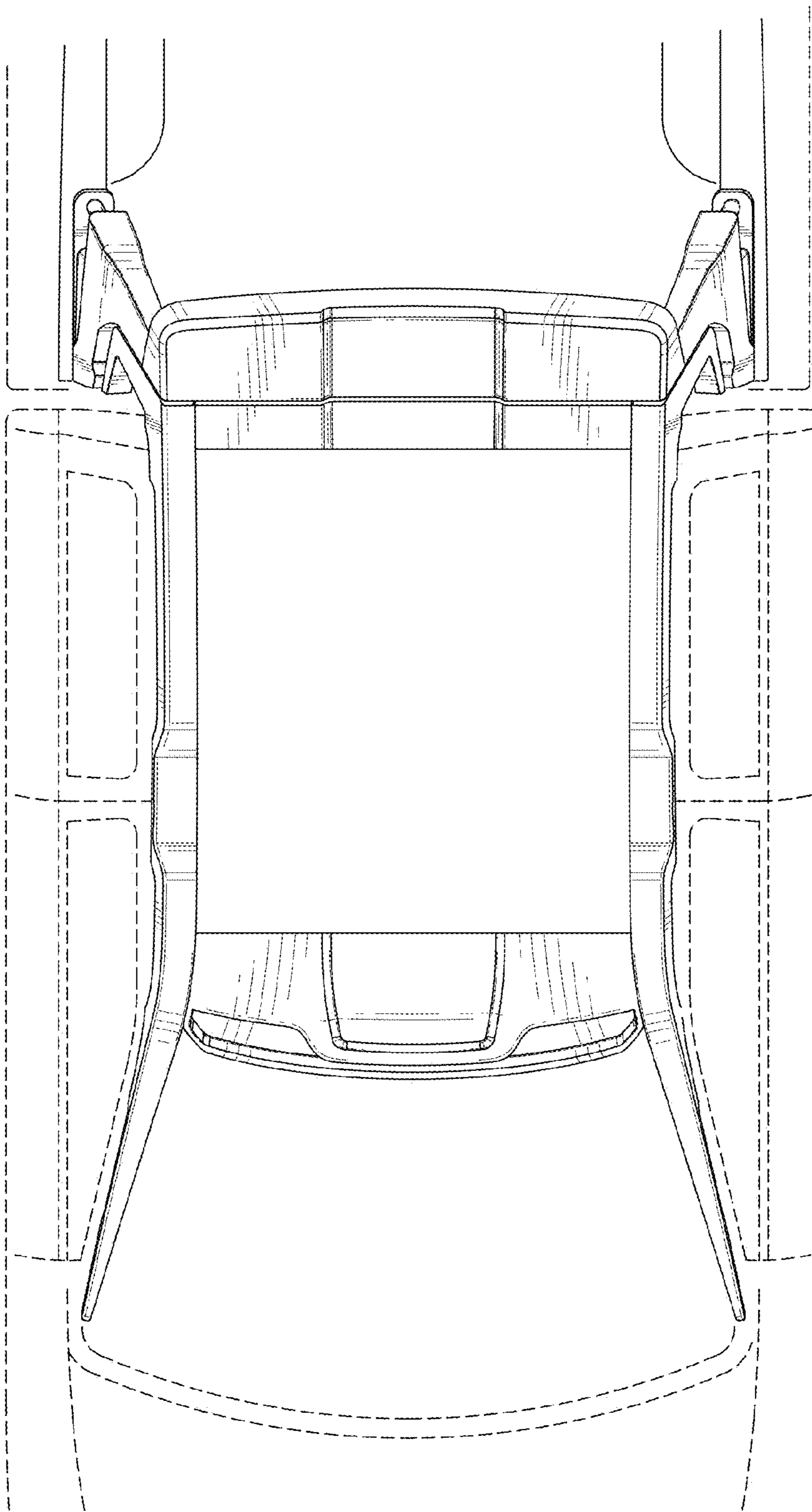


Fig 5

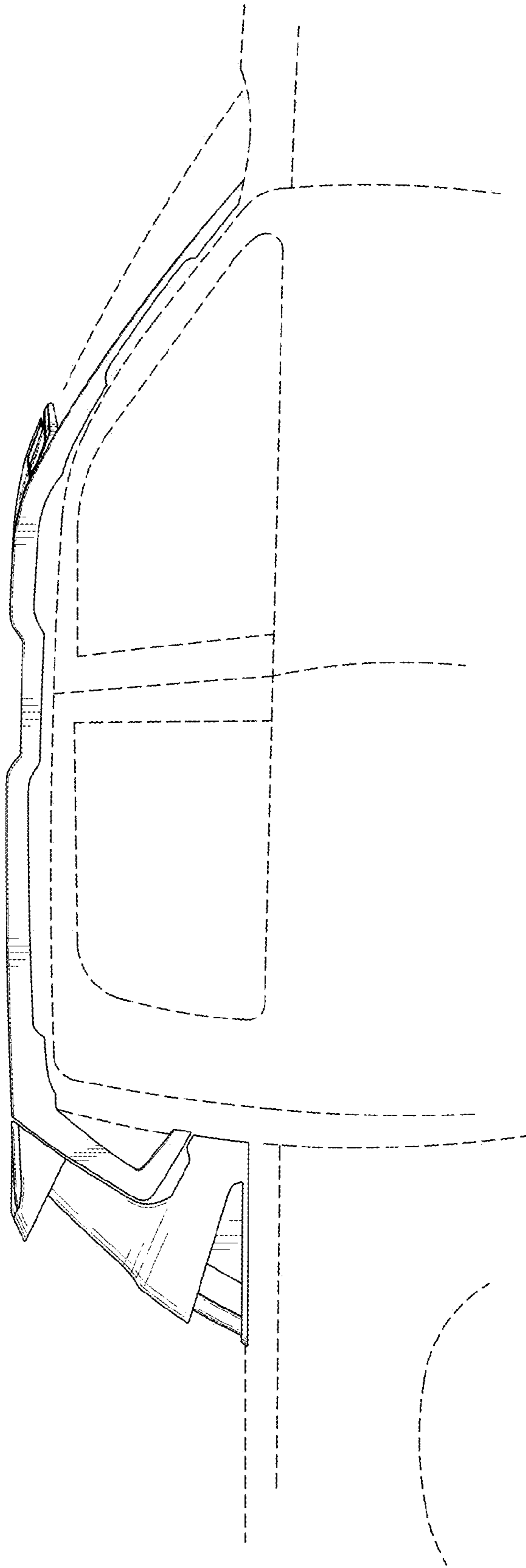


Fig 6

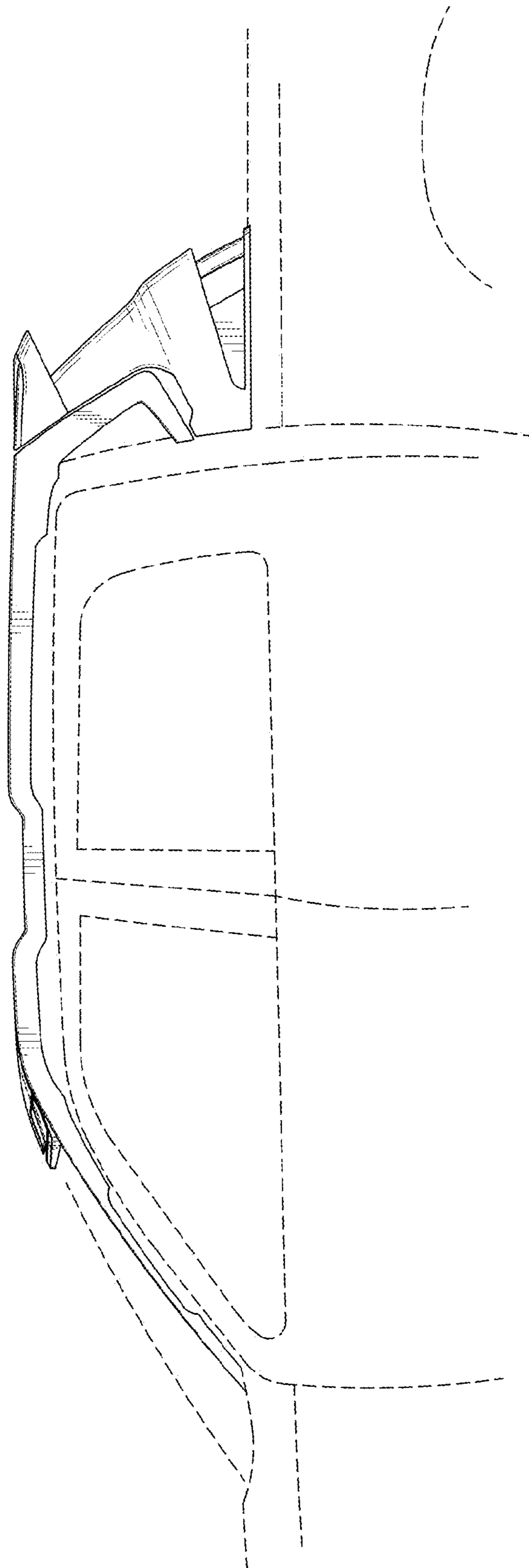


Fig 7